



US00D971323S

(12) **United States Design Patent** (10) **Patent No.:** **US D971,323 S**
Hoinowski (45) **Date of Patent:** **** Nov. 29, 2022**

(54) ILLUMINATED SIGN	5,615,503 A * 4/1997 Current G09F 15/0087 40/607.1
(71) Applicant: Clifford Hoinowski , Neshanic Station, NJ (US)	D392,686 S * 3/1998 Sarkisian D20/41 D407,119 S * 3/1999 Kwan D20/40 D434,451 S 11/2000 Grimshaw
(72) Inventor: Clifford Hoinowski , Neshanic Station, NJ (US)	D445,837 S * 7/2001 Waterhouse D20/40 D450,776 S 11/2001 Albrecht D455,789 S * 4/2002 Schlueter D20/10 D463,499 S 9/2002 Marcos
(**) Term: 15 Years	D501,653 S * 2/2005 Lewis D14/126 D501,889 S 2/2005 Harris et al.
(21) Appl. No.: 29/782,142	D509,543 S 9/2005 Hillstrom et al. D535,953 S 1/2007 Fujii
(22) Filed: May 4, 2021	(Continued)

Related U.S. Application Data

(62) Division of application No. 29/704,992, filed on Sep. 9, 2019, now Pat. No. Des. 920,429.

(51) **LOC (13) Cl.** **20-03**

(52) **U.S. Cl.**
USPC **D20/10**; D14/126; D14/307; D13/102

(58) **Field of Classification Search**
USPC D10/104.1, 109.1, 109.2, 121, 125, 126;
D13/101, 102, 103, 107, 112, 118;
D14/125, 126, 127, 128, 129, 302-307,
D14/371, 900-902; D20/1, 10, 12, 13,
D20/14, 15, 16, 17, 18, 19, 20, 21, 29,
D20/30, 32, 35, 37, 39, 40, 41, 42;
D21/332, 325, 369, 370; D99/28
CPC G09F 1/00; G09F 1/08; G09F 5/00; G09F
5/02; G09F 7/00; G09F 19/00; G09F
23/00; G09F 27/00; Y10S 362/812; A47F
3/00; A47F 8/00; A47F 11/00
See application file for complete search history.

(56) **References Cited**

U.S. PATENT DOCUMENTS

D285,810 S	9/1986	Glasener	
D335,310 S *	5/1993	Kurnow D16/221
D350,566 S	9/1994	Pearson	
D355,676 S	2/1995	Wilson	

OTHER PUBLICATIONS

H. Risch, "Street talker solar light" URL: <https://www.hrisch.com/allproducts/street-talker-solar-light>, retrieved from Internet on Feb. 13, 2020.

(Continued)

Primary Examiner — Catherine Ho

(74) *Attorney, Agent, or Firm* — Myers Wolin, LLC

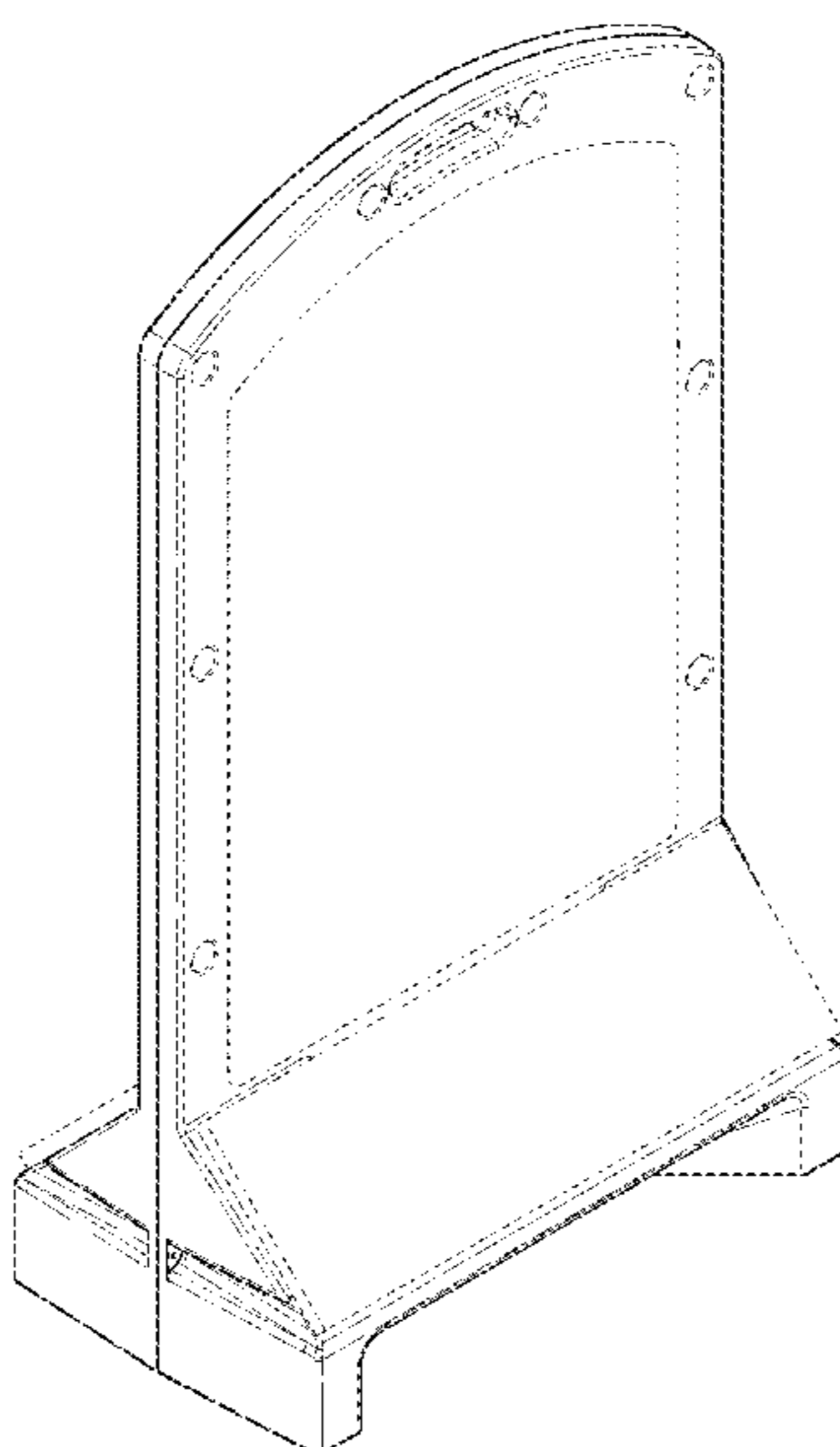
(57) **CLAIM**

The ornamental design for an illuminated sign, as shown and described.

DESCRIPTION

FIG. 1 is a front perspective view of an illuminated sign showing my new design;
 FIG. 2 is a rear perspective view thereof;
 FIG. 3 is a front elevation view thereof, the back elevation view being the same;
 FIG. 4 is a right side elevation view thereof, the left side elevation view being the same;
 FIG. 5 is a top view thereof; and,
 FIG. 6 is a bottom view thereof.
 The broken lines depict portions of the article that form no part of the claimed design.

1 Claim, 5 Drawing Sheets



(56)

References Cited

U.S. PATENT DOCUMENTS

D537,052 S * 2/2007 Villalobos D14/128
 D545,782 S * 7/2007 Schiller D14/126
 D577,075 S 9/2008 Bode
 D616,029 S * 5/2010 Maier-Hunke D20/10
 D631,046 S * 1/2011 Chien D14/371
 D639,086 S * 6/2011 Curbbun D20/10
 D646,269 S 10/2011 Crick, Jr. et al.
 D646,336 S * 10/2011 Kelly D21/385
 D647,143 S * 10/2011 Yi D20/42
 D658,615 S * 5/2012 Chiu D14/126
 D700,901 S 3/2014 Giglio et al.
 D708,459 S * 7/2014 Heirakuji D6/675
 D748,729 S 2/2016 Thomaselli et al.
 D793,124 S * 8/2017 Patel D6/601
 D833,427 S * 11/2018 Hansen D14/307
 D852,273 S 6/2019 Lim et al.
 D866,666 S 11/2019 Ditton et al.
 D872,800 S * 1/2020 Kan D19/113
 D882,567 S * 4/2020 Parfitt D14/371

D883,278 S 5/2020 Yopez et al.
 D886,902 S * 6/2020 Lee D20/39
 D888,825 S 6/2020 Hu
 D899,522 S * 10/2020 Guo D20/42
 D920,323 S * 5/2021 Lee D14/307
 D920,429 S * 5/2021 Hoinowski D14/126

OTHER PUBLICATIONS

International Sign, "Solar Powered Signs", URL: <http://intlsign.com/page.php?page=SolarPoweredSigns>, retrieved from Internet on Feb. 13, 2020.

Cosunsign, Complete Product Line and Projects Retrieved from Manufacturer website, URL: <http://en.cosunsign.com> on Jun. 2, 2020.

Sidewalk signs, posted at Displays2go.com, posted on Dec. 5, 2018, site visited Oct. 22, 2020. online, available from internet: <https://web.archive.org/web/20181205203118/https://www.displays2go.com/Class/Signage-1001> (Year: 2018).

* cited by examiner

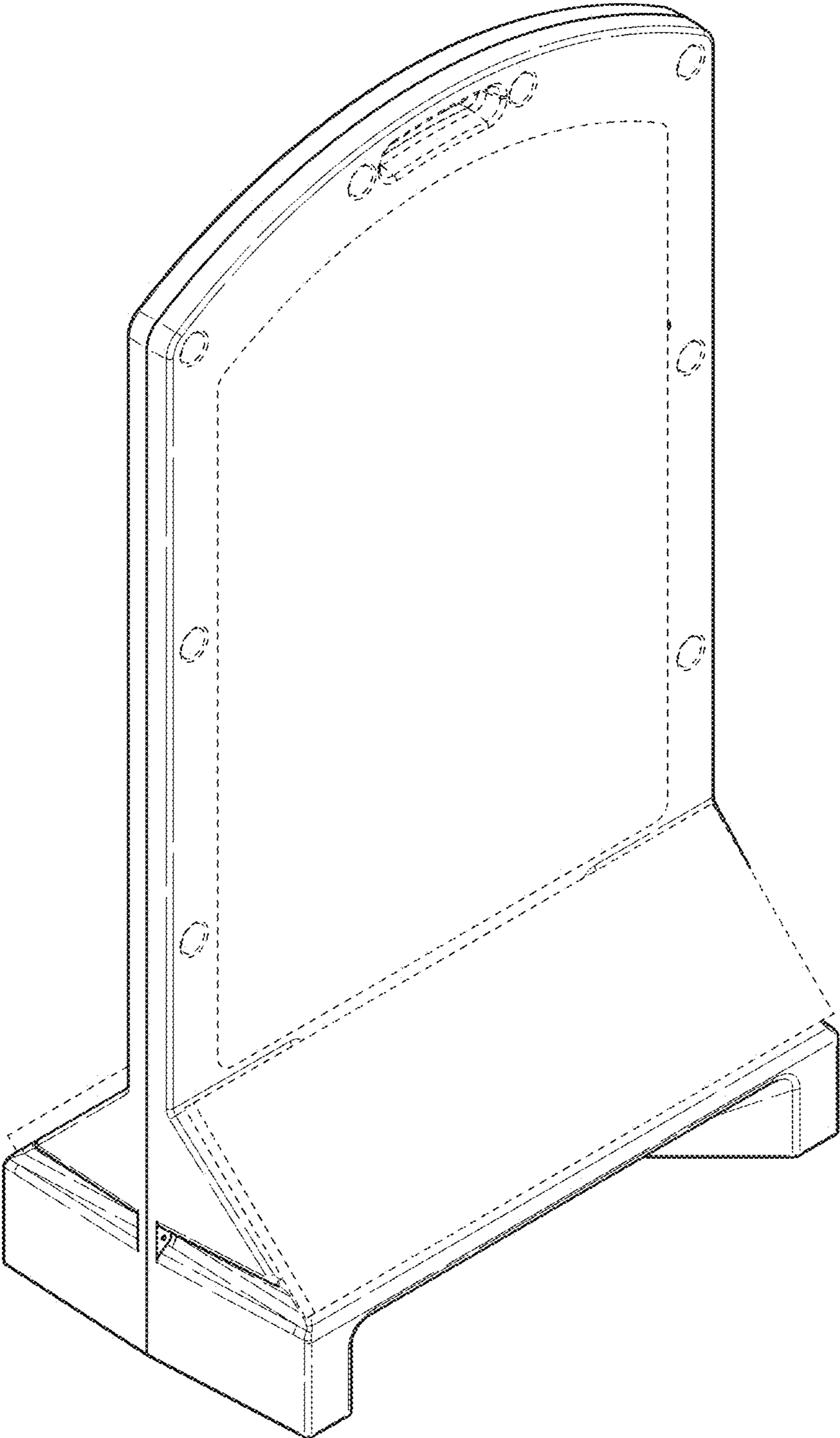


FIG. 1

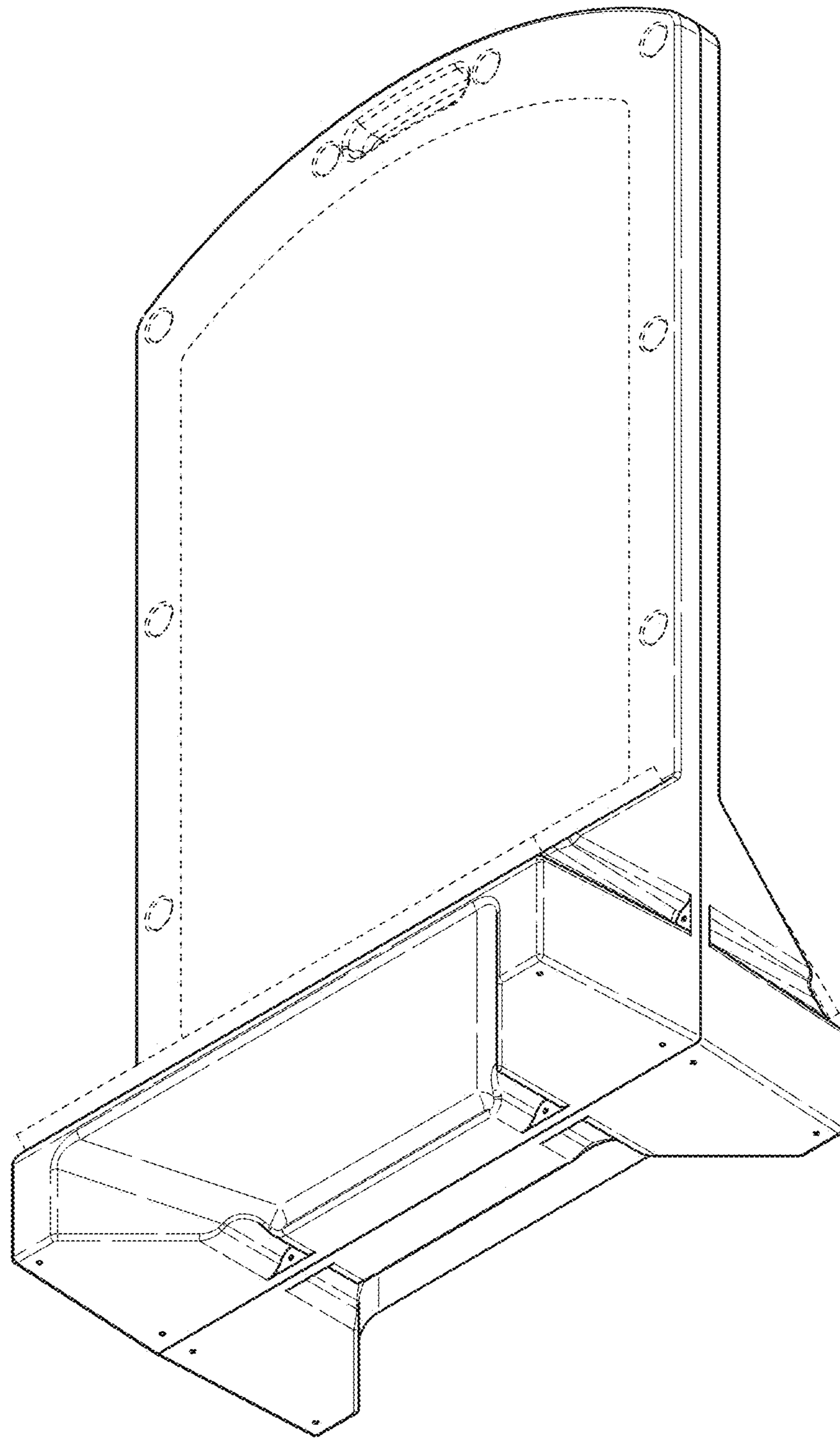


FIG. 2

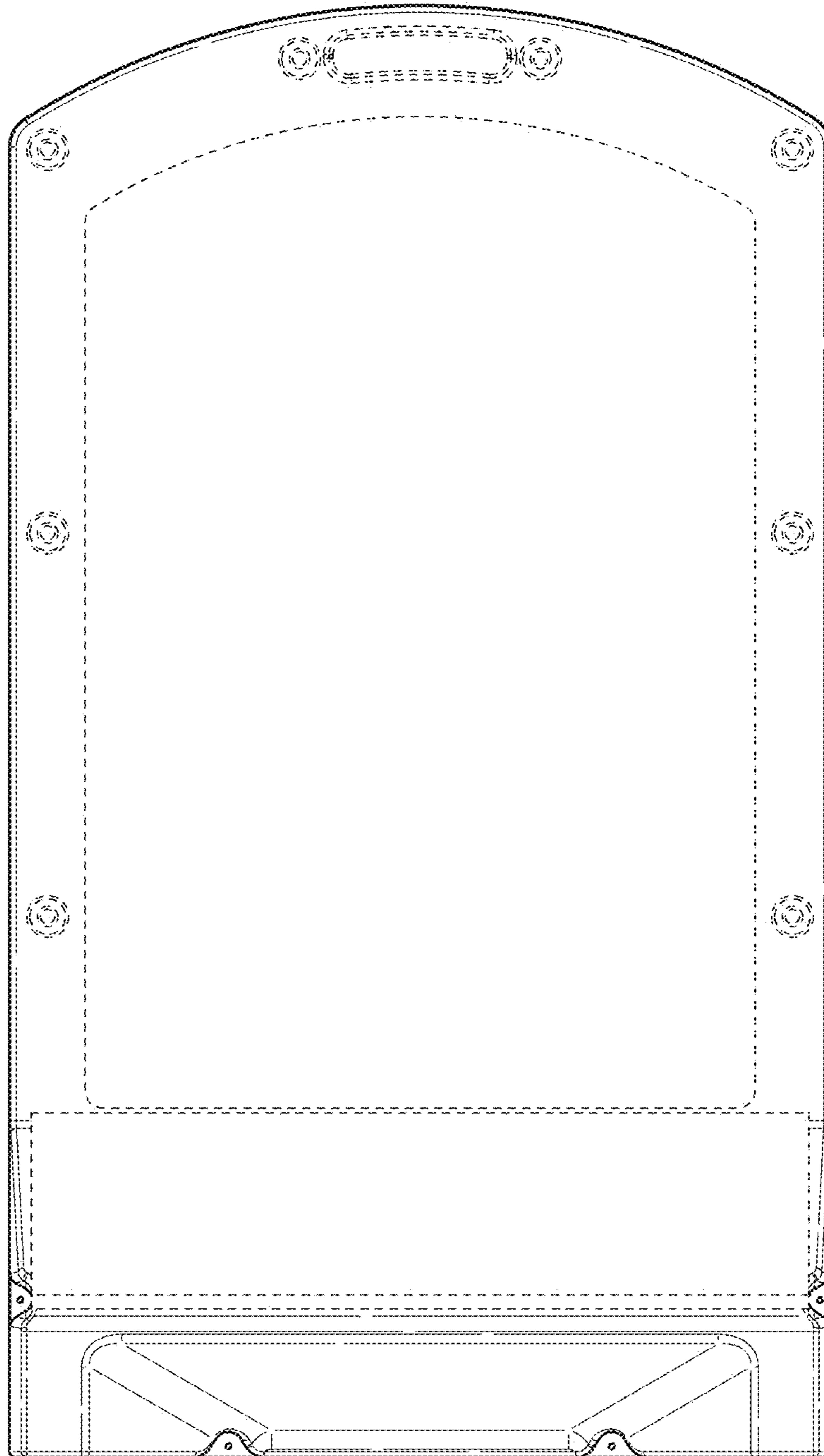


FIG. 3

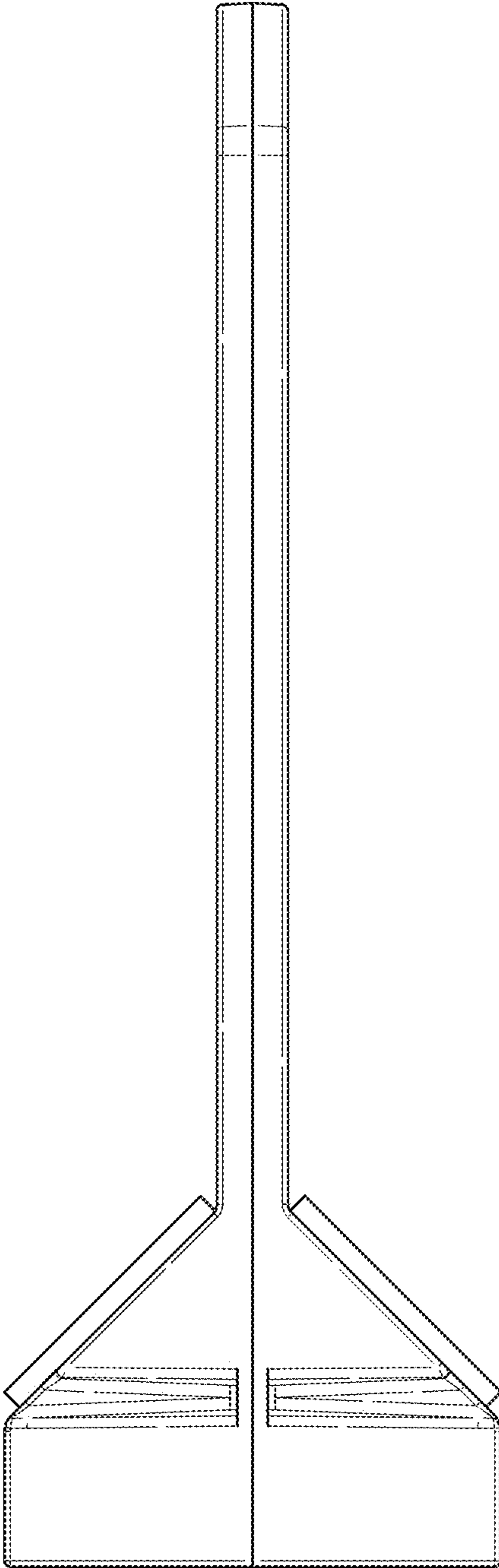


FIG. 4

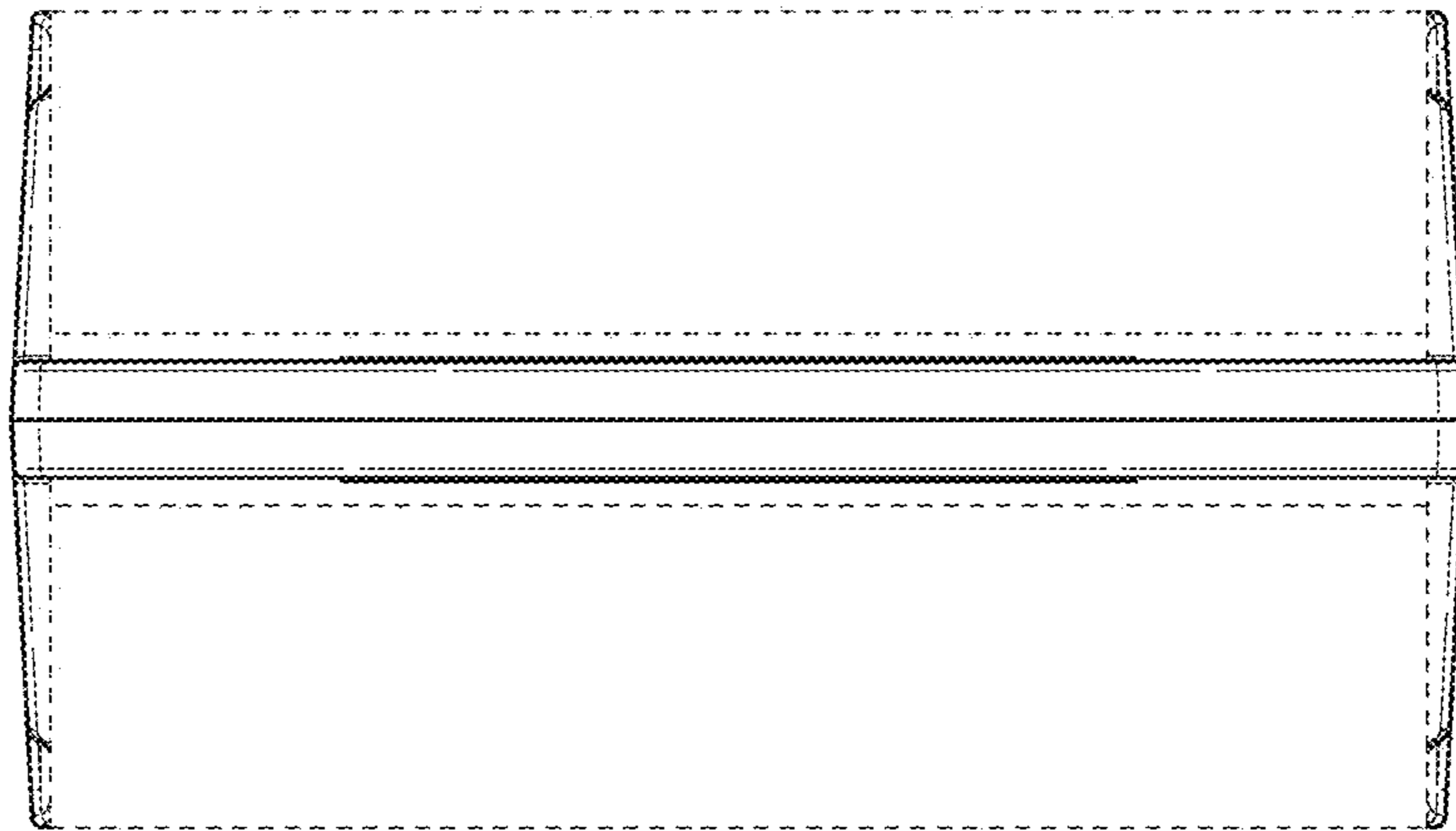


FIG. 5

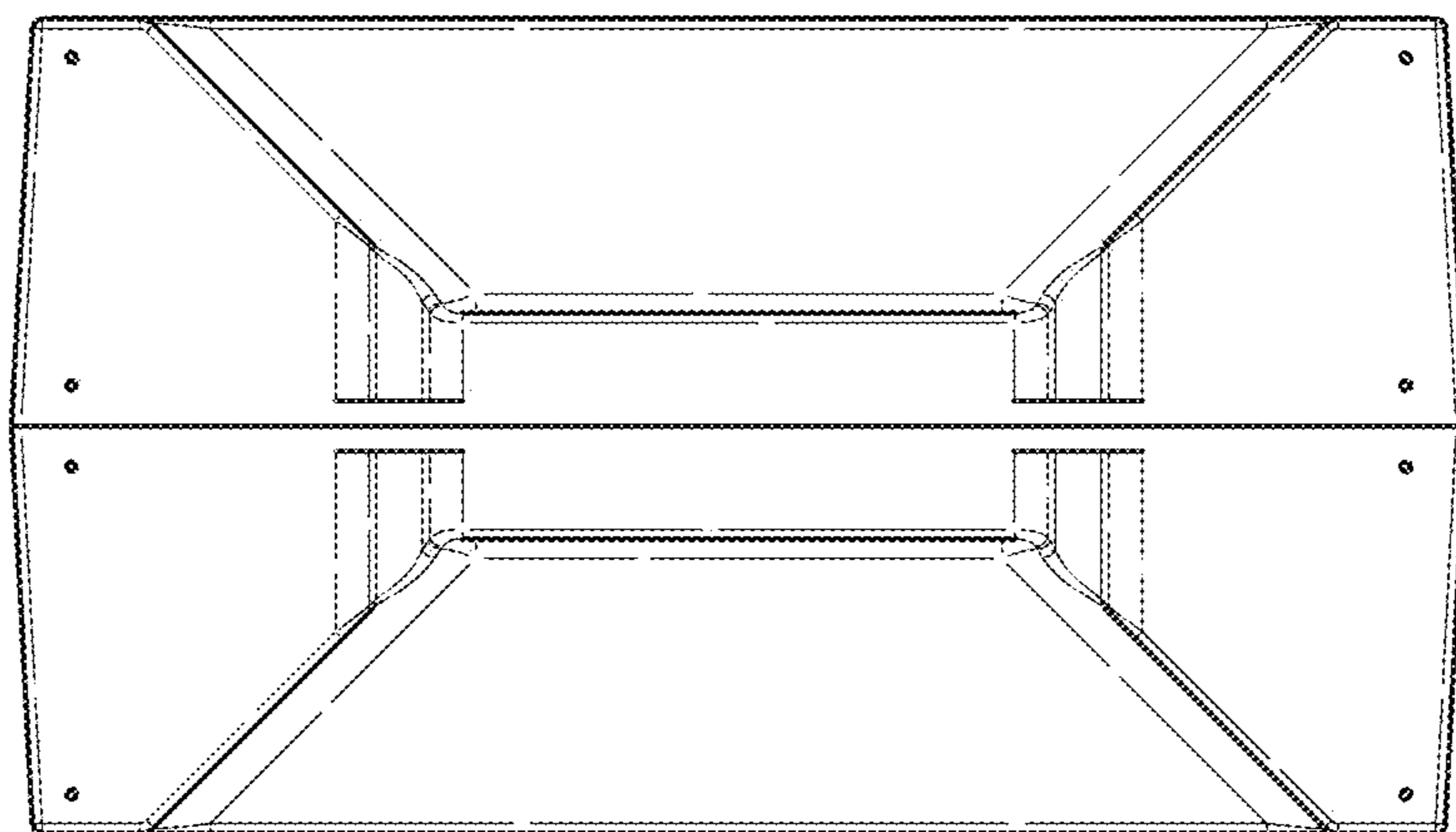


FIG. 6