



US00D971319S

(12) **United States Design Patent** (10) **Patent No.:** **US D971,319 S**
Lin (45) **Date of Patent:** **** Nov. 29, 2022**

(54) **TOUCH UP PAINT PEN**

(71) Applicant: **Bin Lin**, Putian (CN)

(72) Inventor: **Bin Lin**, Putian (CN)

(**) Term: **15 Years**

(21) Appl. No.: **29/792,505**

(22) Filed: **Apr. 1, 2022**

(51) **LOC (13) Cl.** **19-06**

(52) **U.S. Cl.**
USPC **D19/161**

(58) **Field of Classification Search**
USPC D19/66, 70, 71, 80–85, 102–111,
D19/112–119, 120–185, 186, 187–204,
D19/901–906, 907–919, 920–924,
D19/925–930, 931–934
CPC B43K 17/005; B43K 5/005; B43K 7/12;
B43K 8/04; B43K 8/06; B43K 19/00;
B43K 19/02; B43K 19/14; B43K 21/006;
B43K 21/06; A45D 40/02
See application file for complete search history.

(56) **References Cited**

U.S. PATENT DOCUMENTS

D175,548 S *	9/1955	Kane	D19/71
2,872,694 A *	2/1959	Hopkins	A46B 11/0013 222/443
4,710,048 A *	12/1987	Vartoughian	A46B 7/02 401/269
D299,973 S *	2/1989	Campello	D28/7
D306,354 S *	2/1990	Konose	D28/7
4,984,808 A *	1/1991	Young	A63F 3/00697 273/287
D321,717 S *	11/1991	Hager	D19/903
D332,626 S *	1/1993	Wada	D19/163
5,851,079 A *	12/1998	Horstman	B65D 83/0011 401/172
D443,641 S *	6/2001	Mader	D19/117
D460,485 S *	7/2002	Keda	D19/163

(Continued)

OTHER PUBLICATIONS

Paint Touch Up Pen posted by Pajeau posted date Oct. 25, 2021, © Amazon, [online], [site visited Aug. 22, 2022]. Available from Internet, <https://www.amazon.com/Transparent-Fillable-Cabinets-Furniture-Pieces> (Year: 2021).*

(Continued)

Primary Examiner — Garth Rademaker
Assistant Examiner — Laura H Yu

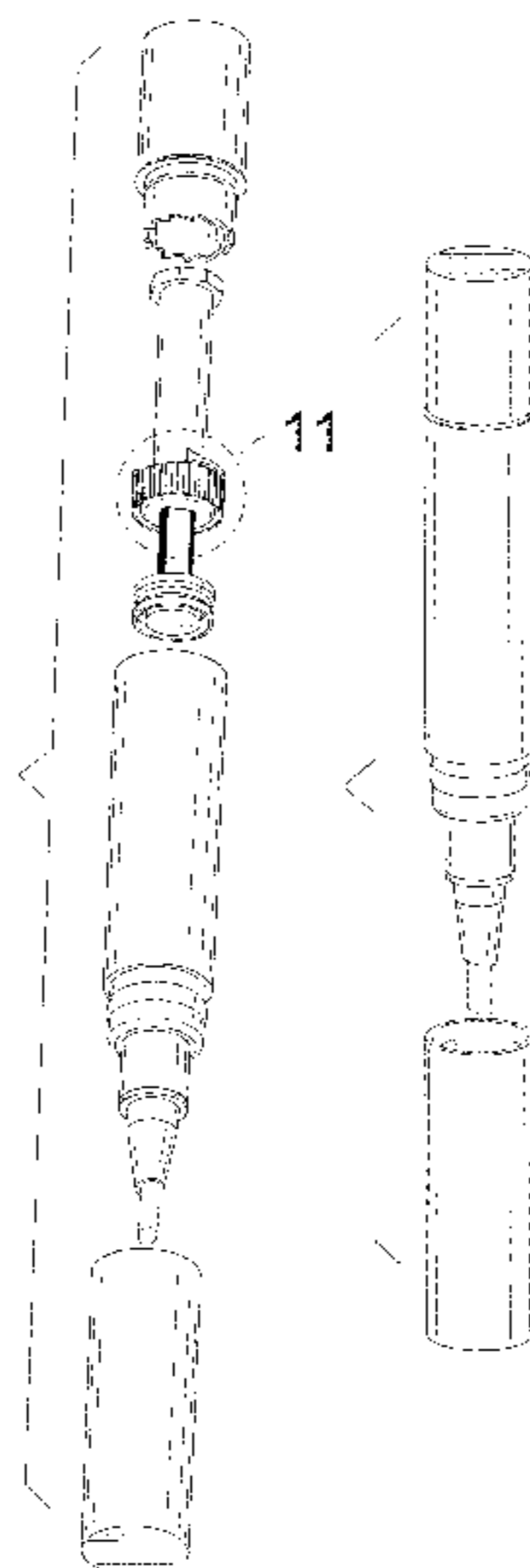
(57) **CLAIM**

The ornamental design for a touch up paint pen, as shown and described.

DESCRIPTION

FIG. 1 is a front and top perspective view of a touch up paint pen, showing my new design;
FIG. 2 is a rear and bottom perspective view thereof;
FIG. 3 is a front elevation view thereof;
FIG. 4 is a rear elevation view thereof;
FIG. 5 is a left side elevation view thereof;
FIG. 6 is a right side elevation view thereof;
FIG. 7 is a top plan view thereof;
FIG. 8 is a bottom plan view thereof;
FIG. 9 is a perspective view thereof, shown in an alternative position;
FIG. 10 is another perspective view thereof, shown in an alternative position; and,
FIG. 11 is an enlarged view of a portion indicated with numeric 11 in FIG. 2.
The broken lines in the figures illustrate portions of the touch up paint pen that form no part of the claimed design. The dash dot dash lines in FIGS. 2 and 11 are for the purpose of depicting the boundary lines of the enlarged view and form no part of the claimed design.

1 Claim, 8 Drawing Sheets



(56)

References Cited

U.S. PATENT DOCUMENTS

6,688,796 B1 * 2/2004 Liu A45D 34/042
401/172
D496,398 S * 9/2004 Greenberg D19/163
D551,569 S * 9/2007 Tanaka D9/724
8,226,319 B2 * 7/2012 Francavilla G01F 11/025
222/546
D669,122 S * 10/2012 Liu D19/163
8,985,399 B2 * 3/2015 Gyakushi A61M 3/00
222/386
9,642,438 B2 * 5/2017 Choi A45D 34/043
10,888,148 B2 * 1/2021 Booth A45D 40/12
D934,950 S 11/2021 Jia
D947,282 S * 3/2022 Zheng D19/117
2006/0258977 A1 * 11/2006 Lee A61M 5/31596
604/82
2016/0309881 A1 * 10/2016 Liu A45D 40/20

OTHER PUBLICATIONS

Fillable Blank Paint Touch Up Pens posted by Nezyo posted date
Mar. 25, 2022, © Amazon, [online], [site visited Aug. 22, 2022].
Available from Internet, <https://www.amazon.com/Fillable-Blank-Paint-Markers-Refillable/> (Year: 2022).*

* cited by examiner

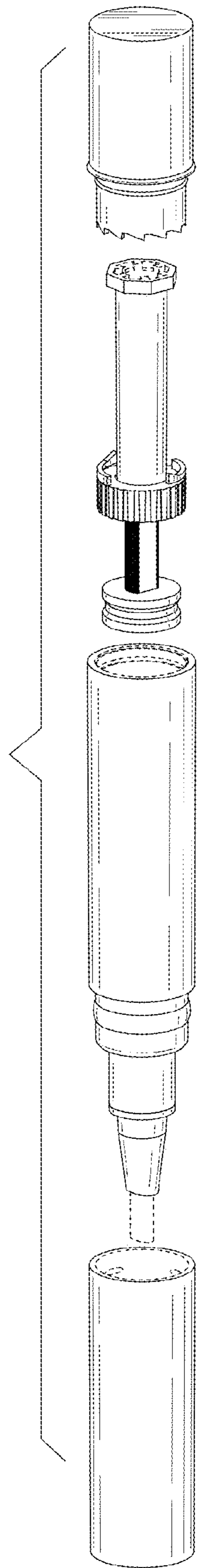


FIG. 1

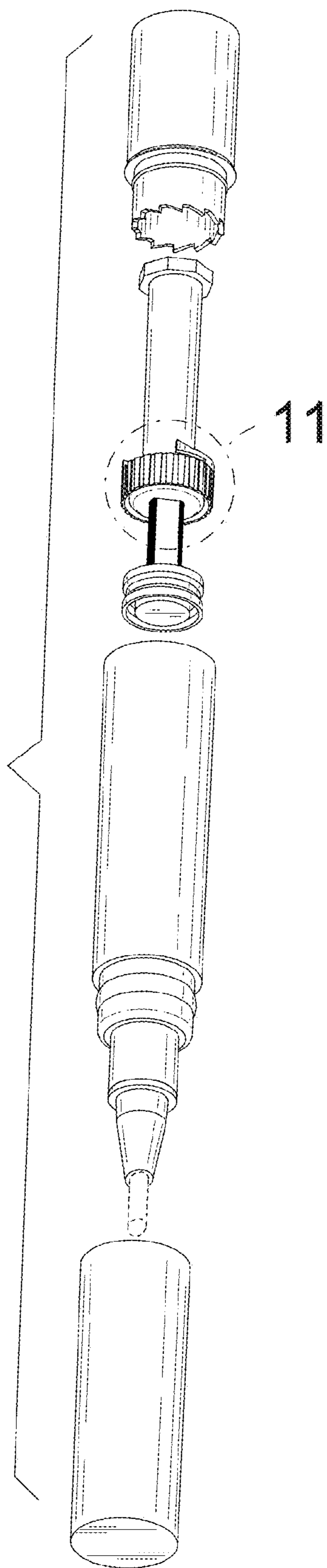


FIG. 2

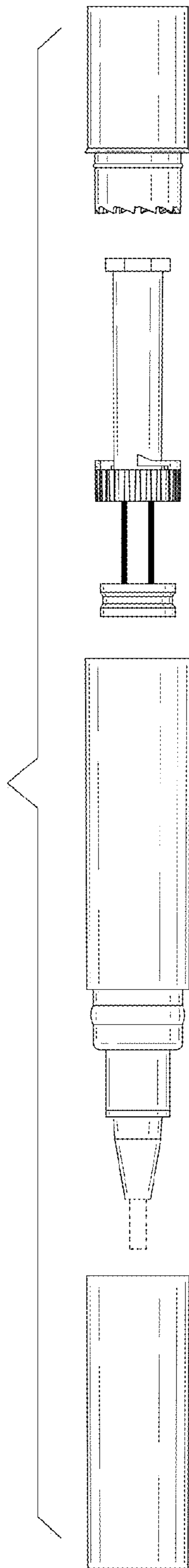


FIG. 3

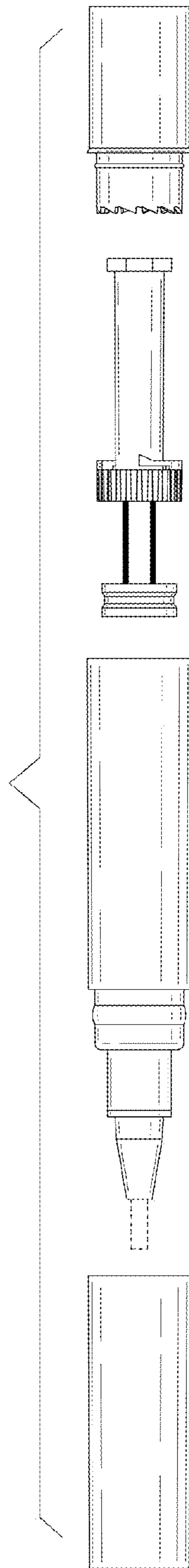


FIG. 4

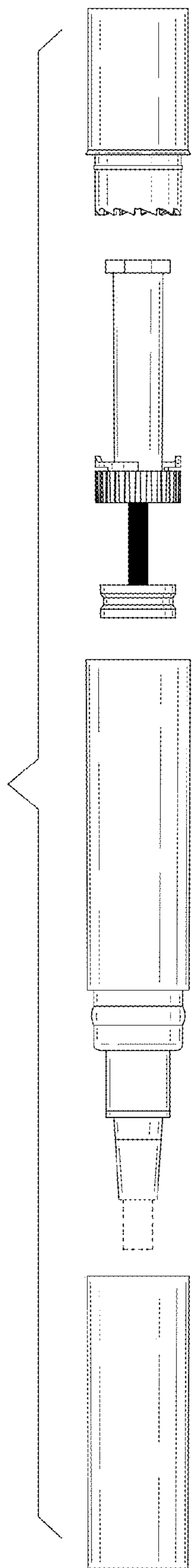


FIG. 5

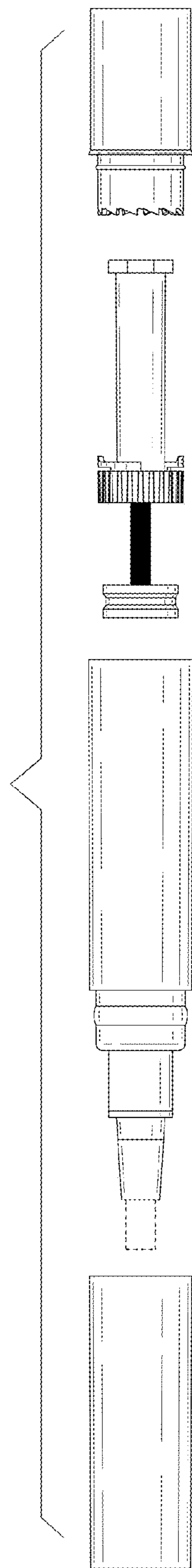


FIG. 6

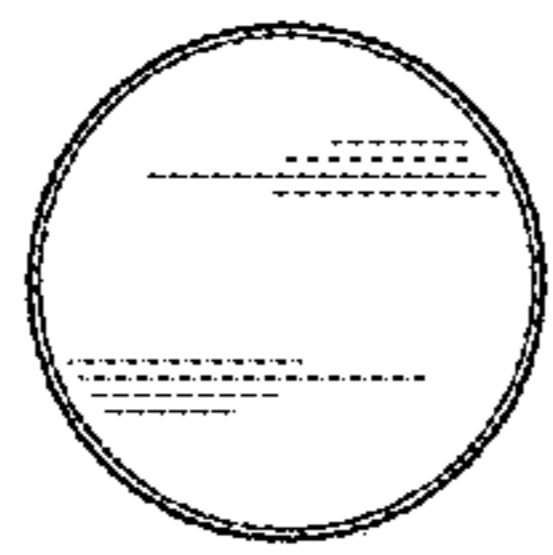


FIG. 7

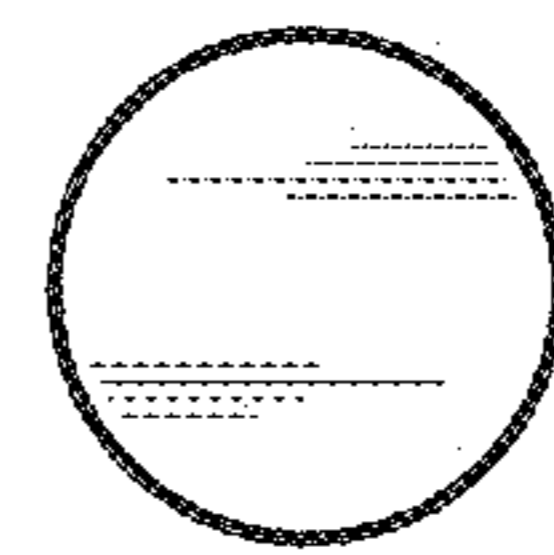


FIG. 8

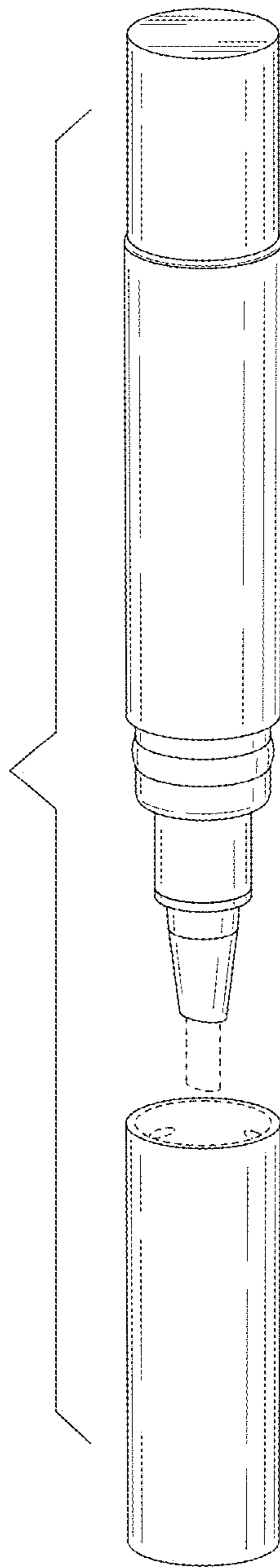


FIG. 9

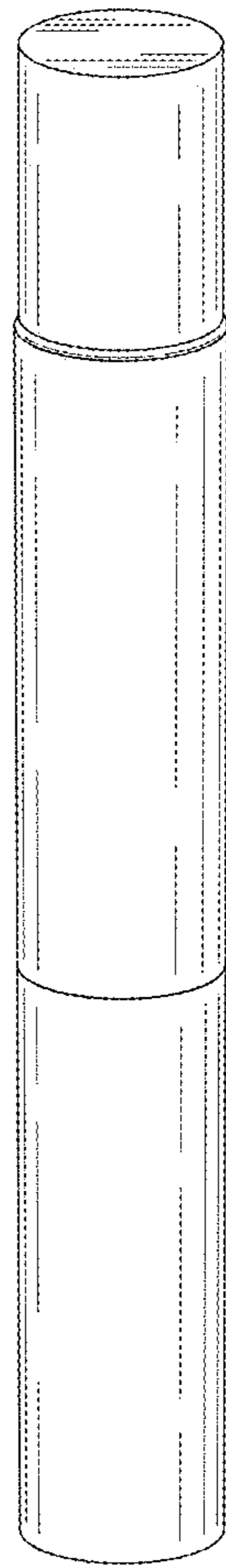


FIG. 10

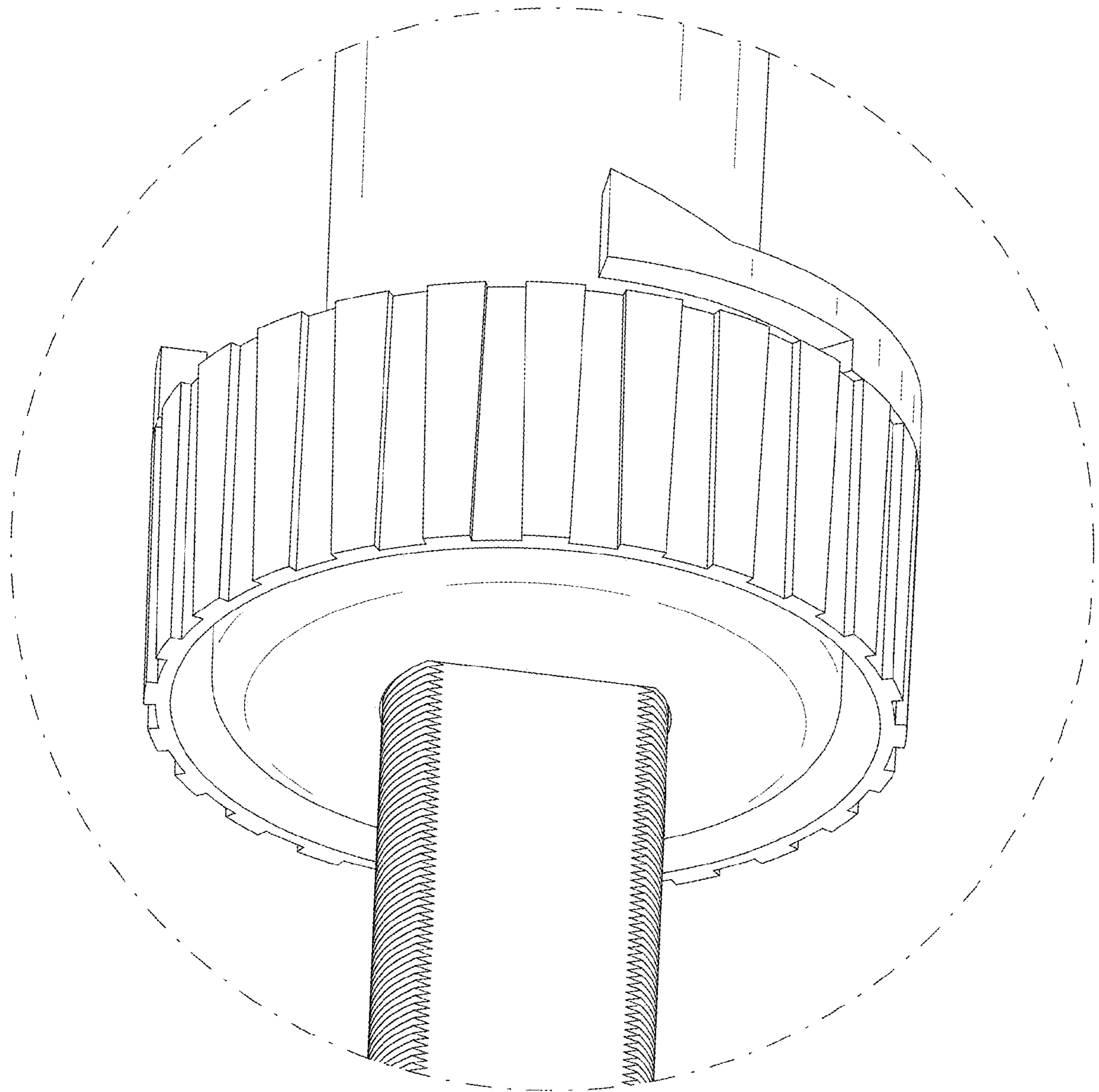


FIG. 11