



US00D971317S

(12) **United States Design Patent** (10) **Patent No.:** **US D971,317 S**
Levin (45) **Date of Patent:** **** Nov. 29, 2022**

(54) **CLEAR DOCUMENT SLEEVE**

(71) Applicant: **MAPLESIDE DESIGNS LLC**, Dover, DE (US)

(72) Inventor: **M. R. Levin**, Dover, DE (US)

(73) Assignee: **MAPLESIDE DESIGNS LLC**, Dover, DE (US)

(**) Term: **15 Years**

(21) Appl. No.: **29/823,071**

(22) Filed: **Jan. 13, 2022**

(51) **LOC (13) Cl.** **19-04**

(52) **U.S. Cl.**
USPC **D19/33**

(58) **Field of Classification Search**

USPC D19/26, 27, 28, 30, 32, 33, 113, 86, 91, D19/100, 2, 3; D3/271.5, 294, 299, 300, D3/302, 303; D6/673, 675; D9/634, 433
CPC G09F 5/00; G09F 5/02; G09F 5/04; G09F 2005/041; G09F 5/042; B42F 7/02; B42F 7/025; B42F 7/04; B42F 7/06; B42F 7/065; B42F 17/00; B42F 19/00; B42F 21/00; B42F 21/02; B42F 23/00; B42F 15/0011; B42F 15/0017; B42F 15/0023; B42F 15/007; B42F 15/0082; B42F 15/0088; B42F 15/0094; B42F 13/02; B42F 13/04; B42F 13/06; B42F 13/08; B42F 13/10; B42F 13/14; B42F 13/65; B42F 5/00; B42F 5/005; B42F 5/02; B42F 5/04; B42F 5/06;

(Continued)

(56) **References Cited**

U.S. PATENT DOCUMENTS

D261,155 S * 10/1981 Nast D6/626
D279,990 S * 8/1985 Gerber D19/3

(Continued)

FOREIGN PATENT DOCUMENTS

DE 202020001944 U1 * 7/2020 B42F 7/06
EP 1043170 A2 * 10/2000 B42F 7/025

(Continued)

OTHER PUBLICATIONS

Quill. Link: <https://www.quill.com/jam-paper-cello-sleeves-self-adhesive-closure-64375-x-825-clear-100-pack-a8cello/cbs/423881.html>. Visited Sep. 16, 2022. JAM Paper® Cello Sleeves with Self-Adhesive Closure, 6.4375 x 8.25, Clear, 100/Pack (A8CELLO) (Year: 2022).*

(Continued)

Primary Examiner — Lauren D McVey

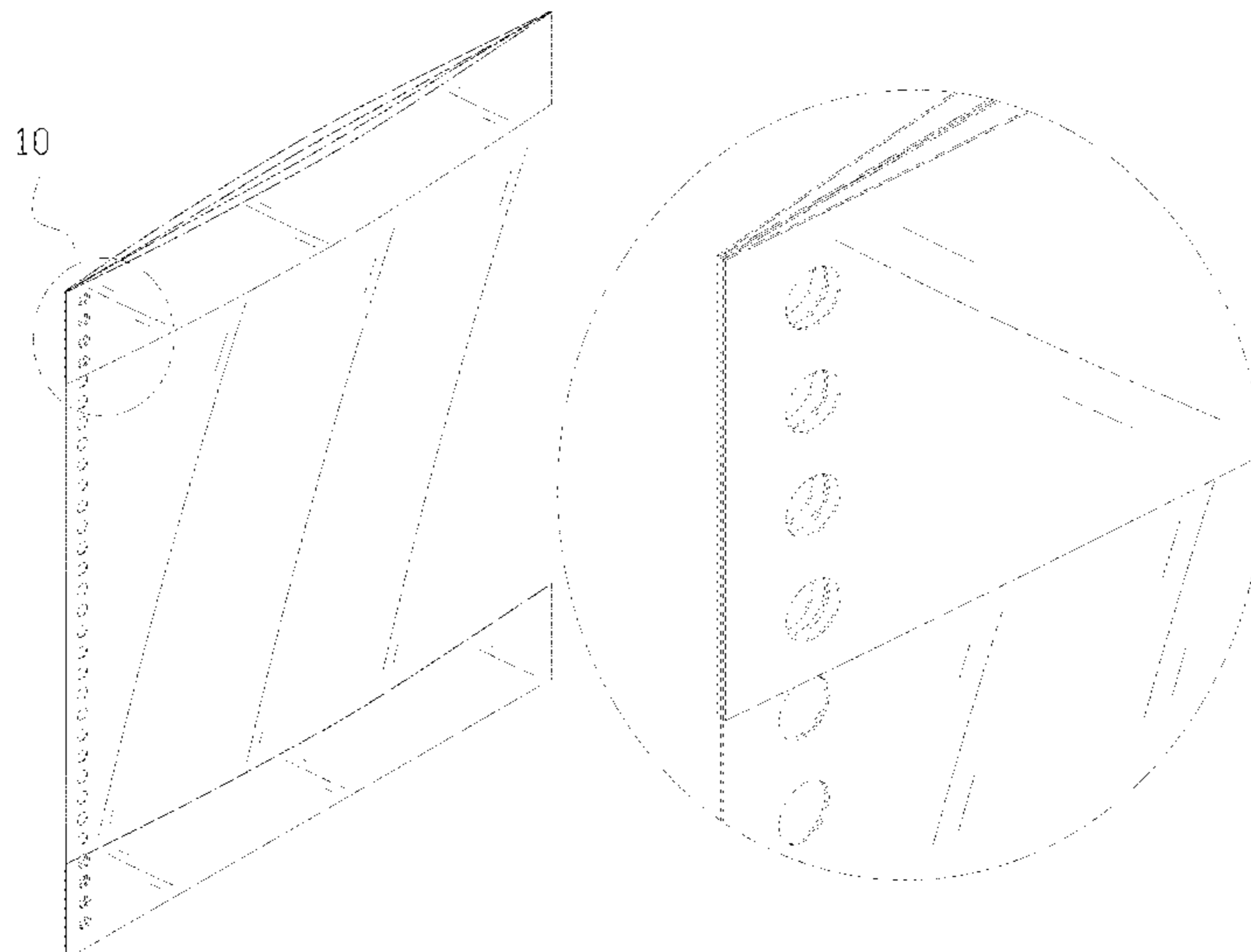
(57) **CLAIM**

The ornamental design for a clear document sleeve, as shown and described.

DESCRIPTION

FIG. 1 is a perspective view of a clear document sleeve; FIG. 2 is another perspective view thereof; FIG. 3 is a front elevational view thereof; FIG. 4 is a rear elevational view thereof; FIG. 5 is a left side elevational view thereof; FIG. 6 is a right side elevational view thereof; FIG. 7 is a top plan view thereof; FIG. 8 is a bottom plan view thereof; FIG. 9 is a perspective view of the clear document sleeve in an alternate state; FIG. 10 is an enlarged view of portion 10 shown in FIG. 1; and, FIG. 11 is an enlarged view of portion 11 shown in FIG. 2. The dash-dash broken lines in the drawings depict portions of the clear document protective sleeve that form no part of the claimed design. The dot-dash broken lines represent boundaries of the enlarged portions and form no part of the claimed design.

1 Claim, 11 Drawing Sheets



(58) **Field of Classification Search**

CPC ... B42D 1/04; B42D 3/08; B42D 3/10; B42D 3/12; B42D 3/123; B42D 7/00; B42D 17/005; B42D 15/0006; B42D 15/00; B42D 15/008; B42D 15/042; B42D 15/04; B42D 1/08; B42D 15/0073; B42D 15/0086; B42D 15/0093; B42C 7/00; B42C 7/01; B42C 7/02; B42C 7/03; B42C 7/04; B42C 7/05; B42C 7/06; B42C 7/07; B42C 7/08; B42C 7/09; G07F 17/16; G07F 11/045; B65H 2701/1932; B65H 2701/5112; G11B 33/0433; G11B 33/0438; G11B 33/0444; G11B 33/0455; G11B 33/0461; G11B 33/0466; G11B 33/0472; G11B 33/0477; G11B 33/0483

See application file for complete search history.

D384,972 S * 10/1997 French D19/32
 5,722,694 A * 3/1998 Baldursson G03B 21/64
 281/31
 5,913,540 A * 6/1999 Ong B42F 7/06
 281/31
 6,068,298 A * 5/2000 Chen B42F 7/025
 281/38
 8,181,883 B1 * 5/2012 Franklin A45C 11/182
 235/493
 D787,591 S 5/2017 Klosky
 D894,274 S 8/2020 Davidov

FOREIGN PATENT DOCUMENTS

FR 2683182 A1 * 5/1993 B42F 7/02
 JP D1544942 * 3/2016
 KR 300568331.0001 * 7/2010
 KR 300770633.0000 * 11/2014
 KR 300778897.0000 * 1/2015

(56) **References Cited**

U.S. PATENT DOCUMENTS

4,577,889 A * 3/1986 Schulz B42F 3/04
 281/3.1
 D312,476 S * 11/1990 Westendorff D19/27
 D312,835 S * 12/1990 Holm D19/33
 5,237,355 A * 8/1993 Kiehne G03B 21/64
 40/776
 5,266,987 A * 11/1993 Kiehne G03B 21/132
 353/DIG. 5
 5,371,560 A * 12/1994 Kiehne G03B 21/132
 40/702

OTHER PUBLICATIONS

Office Depot. Link: https://www.officedepot.com/a/products/269594/Avery-Corner-Lock-3-Hole-Punched/?utm_source=google&utm_medium=sag. Visited Sep. 16, 2022. Avery® Corner Lock™ 3-Hole Punched Plastic Sleeves, Clear, Pack Of 4. (Year: 2022).*

Office Depot. Link: <https://www.officedepot.com/a/products/8233404/Cardinal-Zipper-Binder-Pockets-050-Maximum/>. Visited Sep. 16, 2022. Cardinal Zipper Binder Pockets—0.50" Maximum Capacity—100×Sheet Capacity—For Letter 8 ½"×11" Sheet / Pack. (Year: 2022).*

* cited by examiner

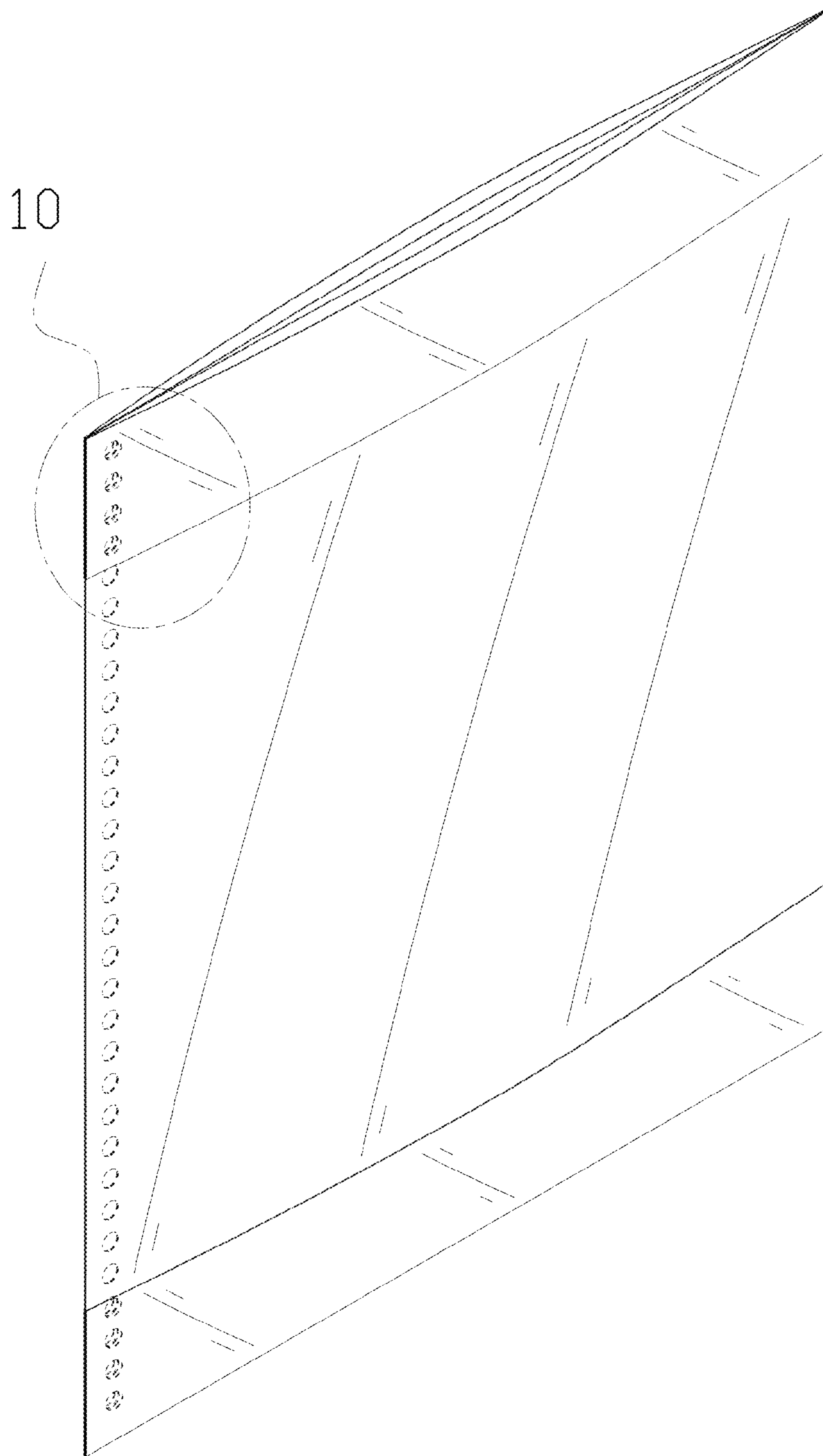


FIG. 1

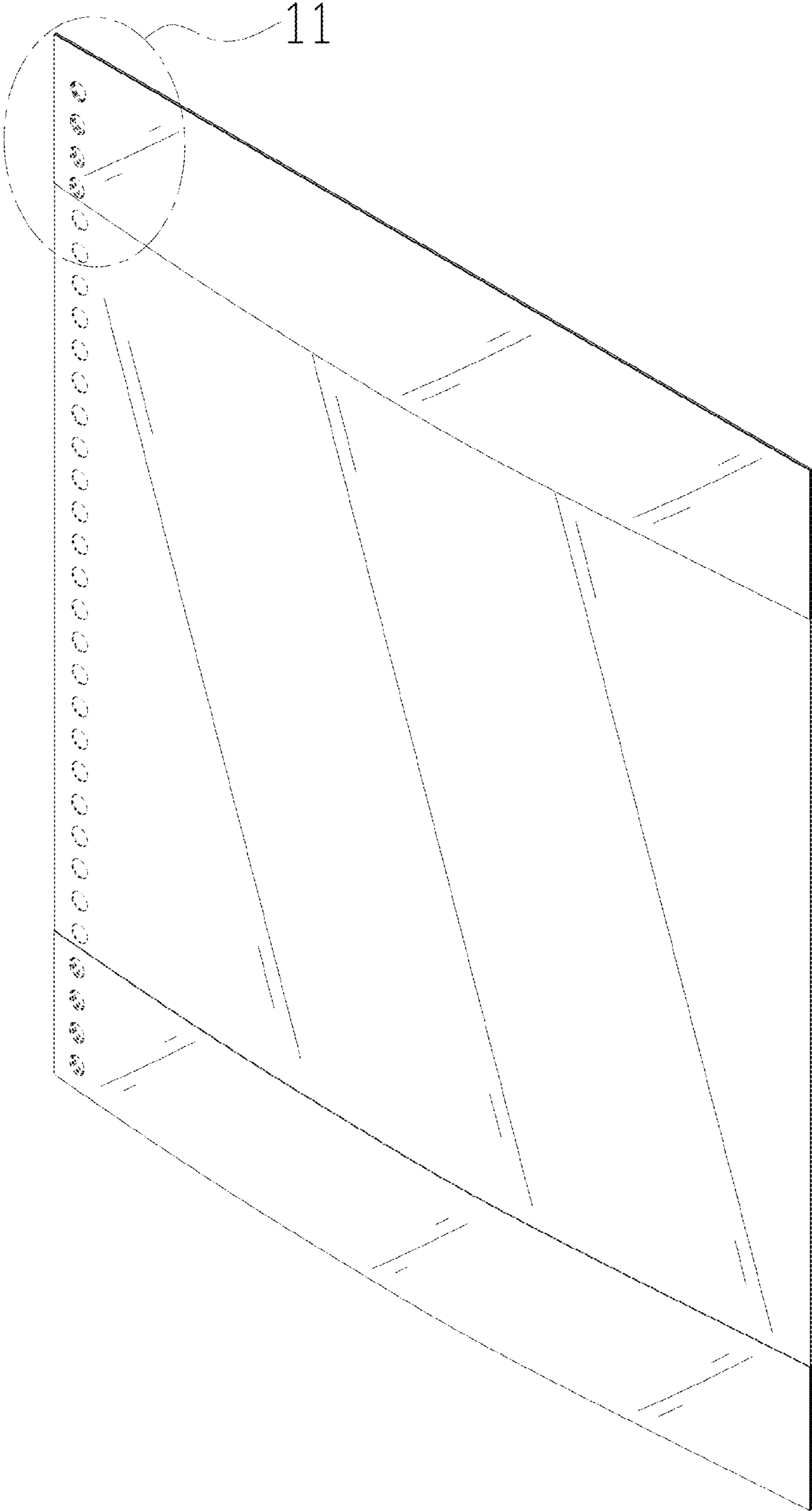


FIG. 2

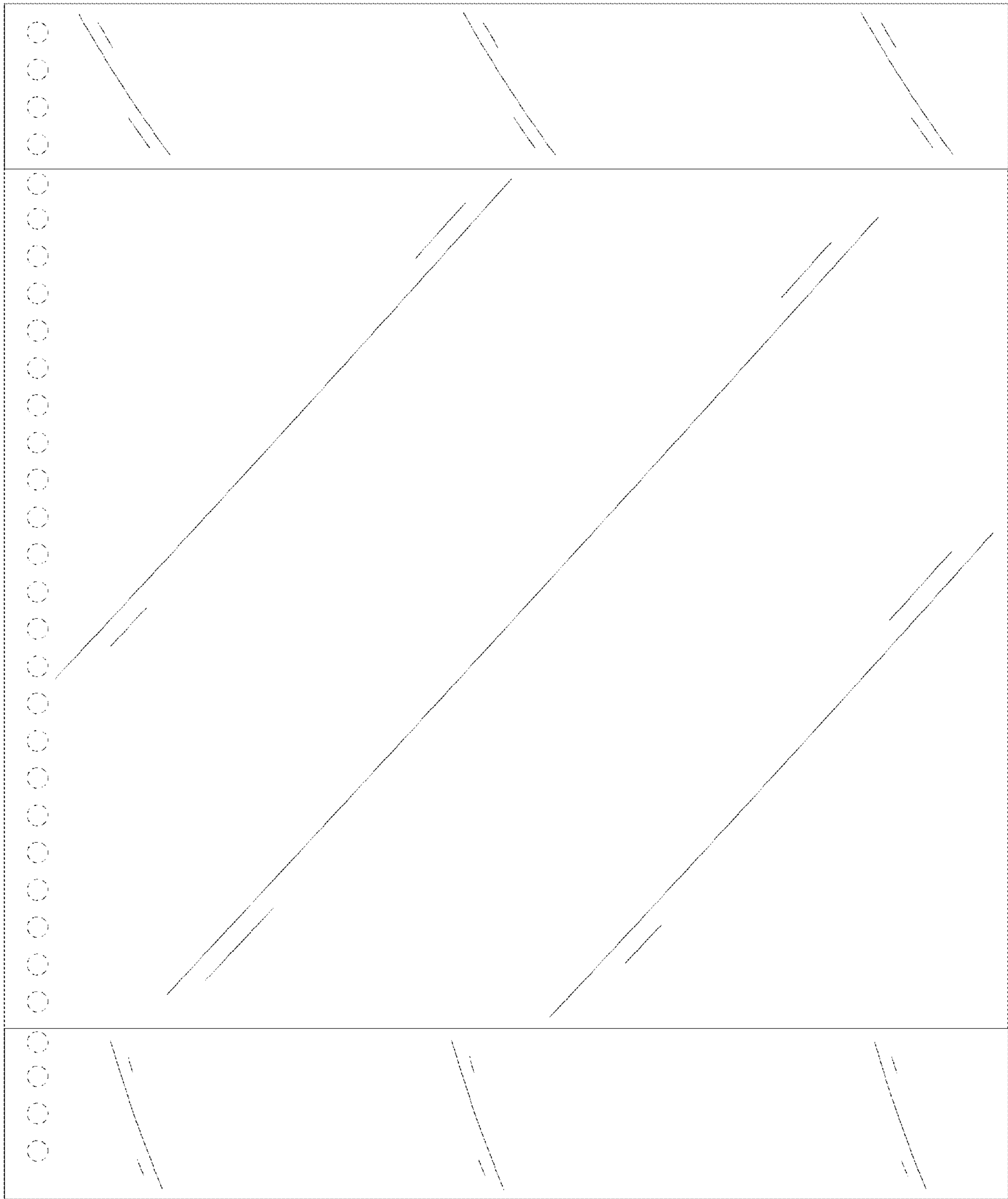


FIG. 3

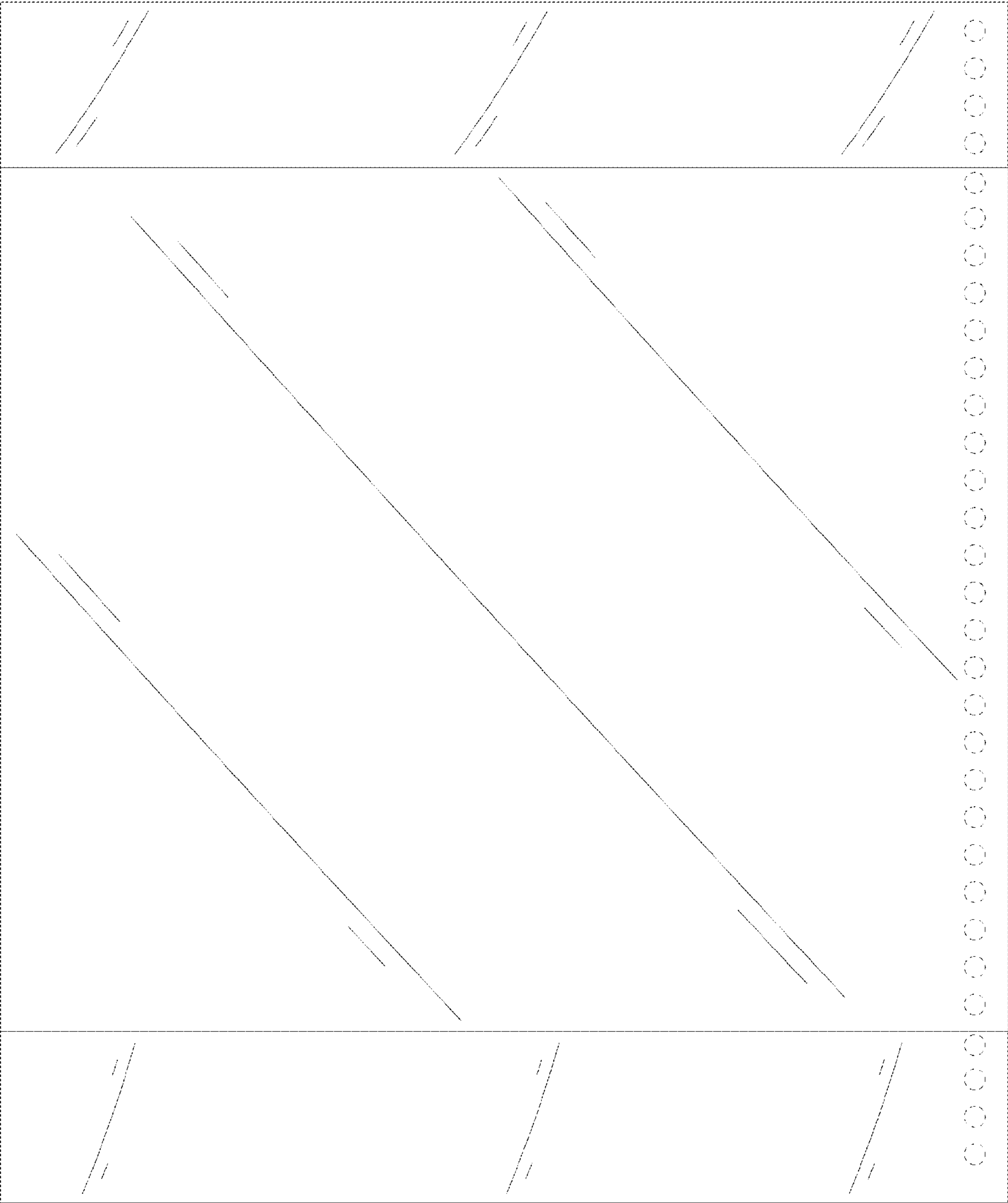


FIG. 4

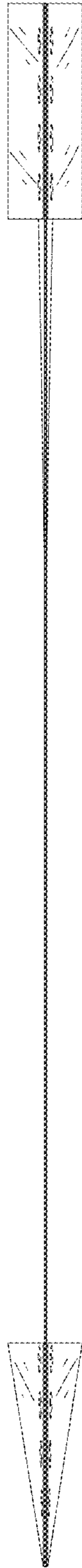


FIG. 5

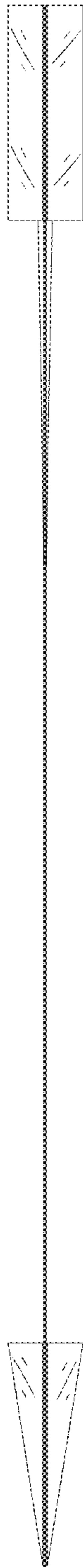


FIG. 6



FIG. 7

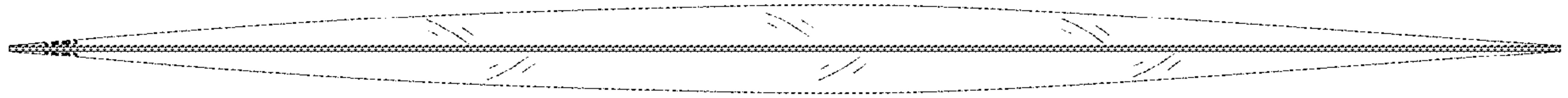


FIG. 8

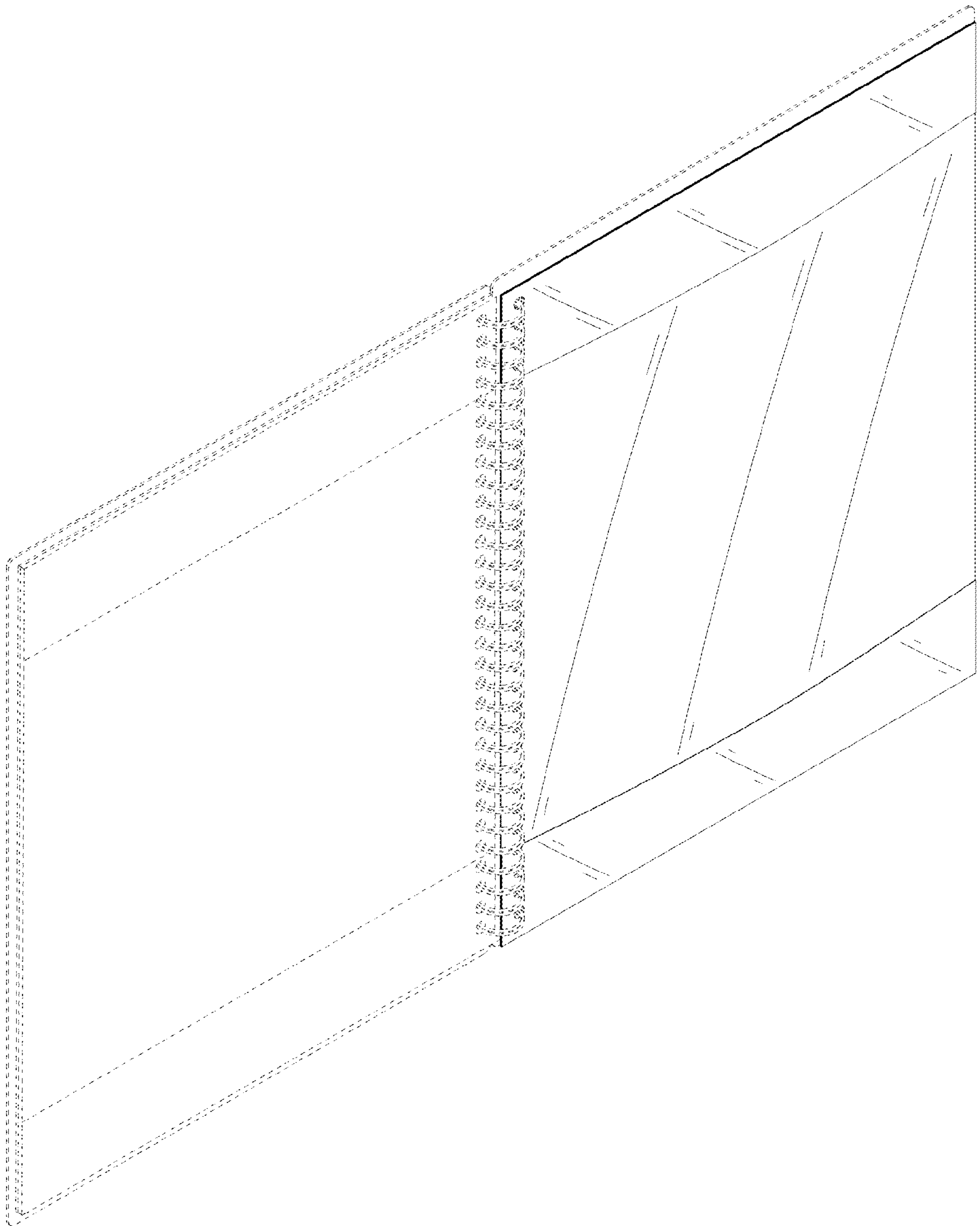


FIG. 9

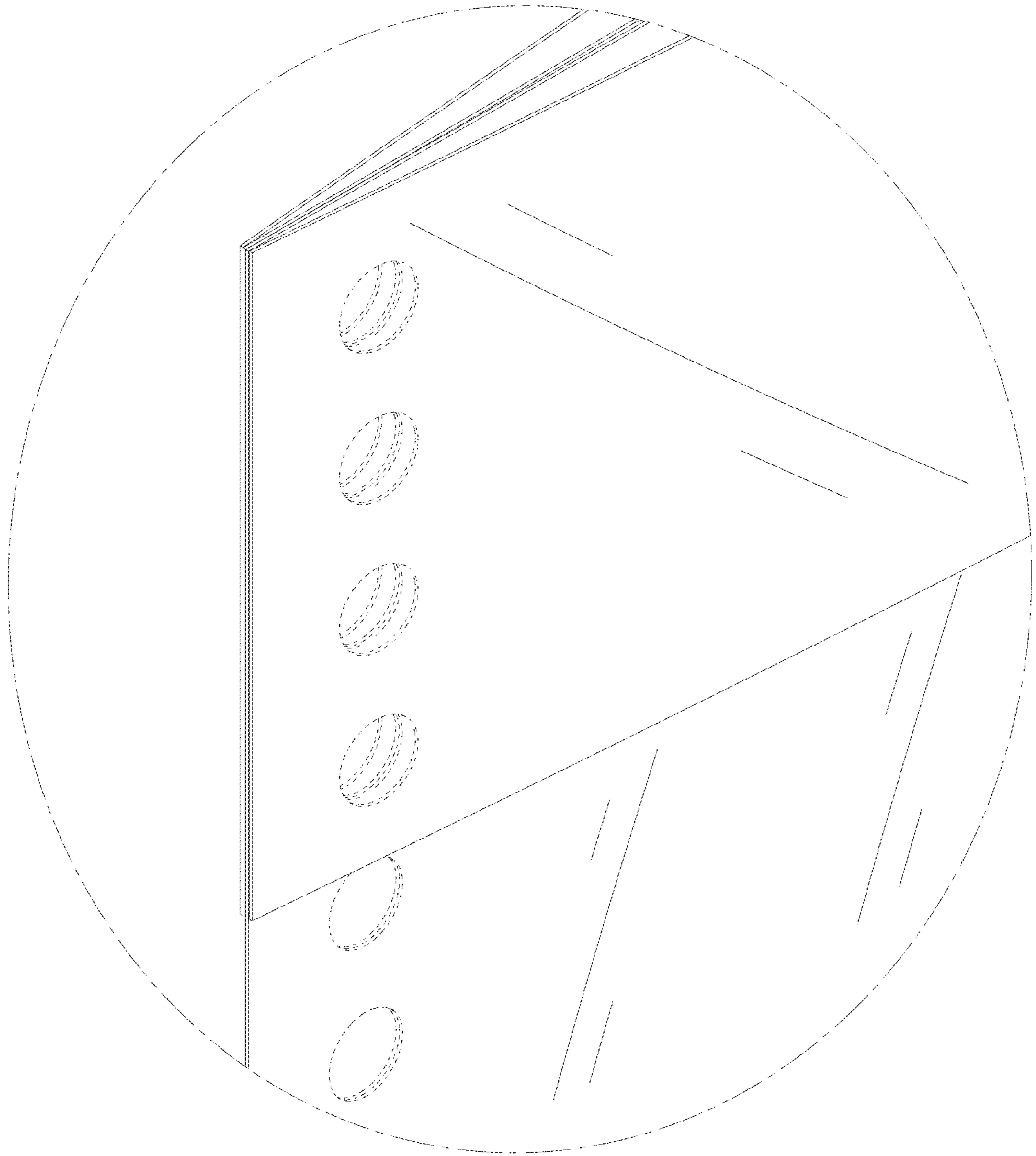


FIG. 10

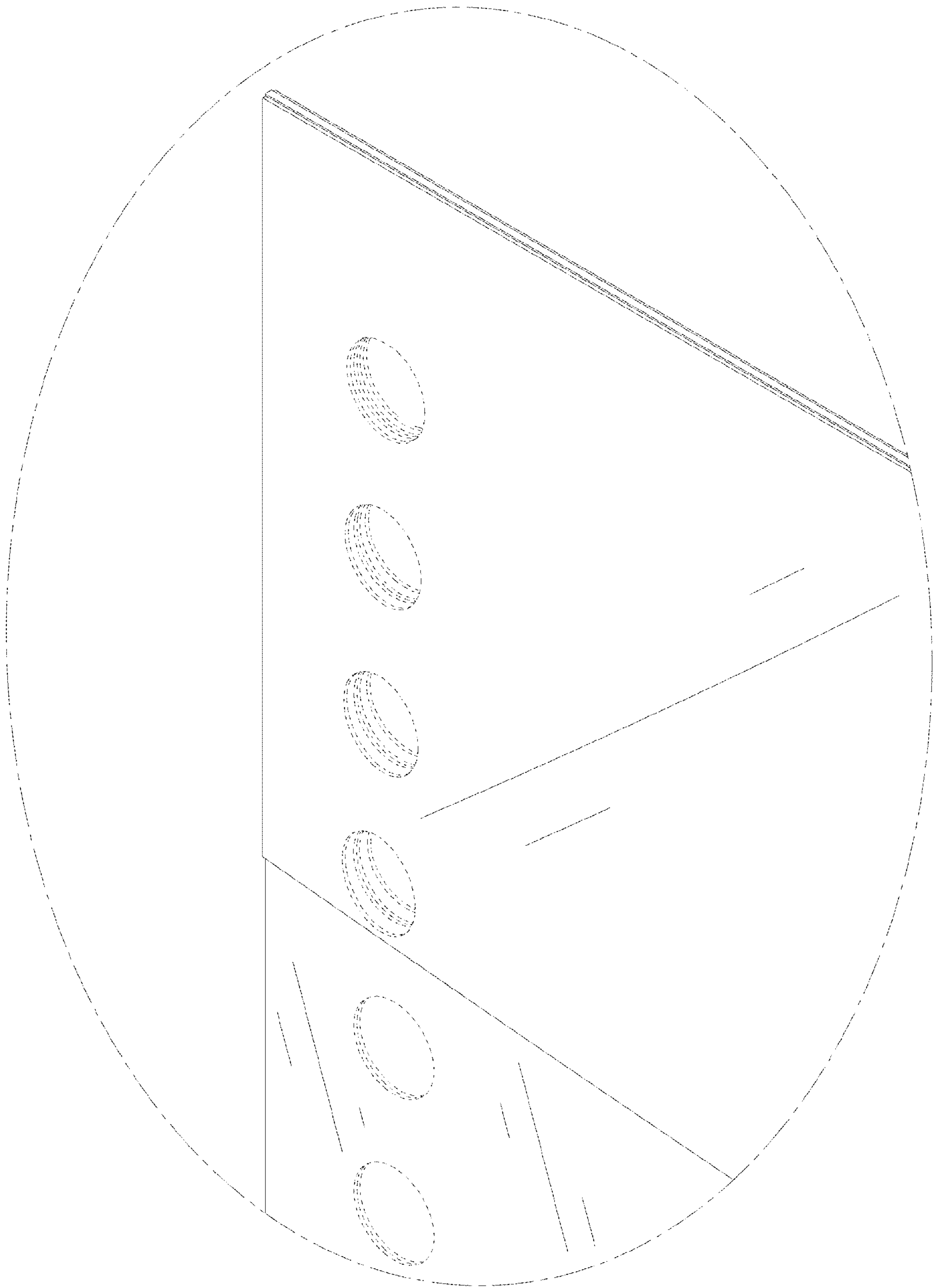


FIG. 11