



US00D971316S

(12) **United States Design Patent** (10) **Patent No.:** **US D971,316 S**
Cuban (45) **Date of Patent:** **** Nov. 29, 2022**

(54) **INK CARTRIDGE HOLDER**

FOREIGN PATENT DOCUMENTS

(71) Applicant: **Mark Cuban**, Dallas, TX (US)

CN 203739466 U 7/2014

(72) Inventor: **Mark Cuban**, Dallas, TX (US)

CN 107336436 A 11/2017

(**) Term: **15 Years**

CN 110143082 A 8/2019

HK 1001572-0001 * 3/2011

(21) Appl. No.: **29/791,596**

OTHER PUBLICATIONS

(22) Filed: **Jan. 20, 2022**

Newegg. Link: https://www.newegg.com/p/14S-002W-002C2?Item=9SIAA7WDZA6811&Description=printhead&cm_re=printhead-_9SIAA7WDZA6811-_Product. Visited Aug. 8, 2022. ibm 38h7316 printhead impact assembly [4*W-25] (Year: 2022).*

(51) **LOC (13) Cl.** **18-02**

(Continued)

(52) **U.S. Cl.**

USPC **D18/56**

(58) **Field of Classification Search**

Primary Examiner — Lauren D McVey

USPC D18/43, 56, 12, 14, 15, 16, 17, 18, 19,
D18/37, 38, 39, 40, 41, 45

(74) *Attorney, Agent, or Firm* — Klemchuk LLP

CPC H04N 1/00204; H04N 1/00249; H04N
1/00278; G06K 15/12; G06K 15/14; B41J
3/00; B41J 3/28; B41J 3/445; B41J 3/46;
B41J 11/0045; B41J 2/3358; B41J 3/36;
B41J 3/382

(57) **CLAIM**

An ornamental design for an ink cartridge holder, as shown and described.

See application file for complete search history.

DESCRIPTION

(56) **References Cited**

FIG. 1 illustrates a front perspective view of an ink cartridge holder.

U.S. PATENT DOCUMENTS

FIG. 2 illustrates a front view of the ink cartridge holder.

1,438,114 A	12/1922	Hume	
D278,539 S *	4/1985	Josephson	D9/425
D281,077 S *	10/1985	Yasunaga	D18/56
D338,034 S *	8/1993	Vespa	D18/56
5,411,344 A	5/1995	Gagne	
5,470,162 A	11/1995	Rubin	
5,696,538 A	12/1997	Kishi	
5,883,653 A *	3/1999	Sasaki	B41J 2/1752 347/86
D413,920 S *	9/1999	Shimizu	D18/56
6,343,885 B1	2/2002	Heyne	
6,511,167 B1 *	1/2003	Kitabatake	B41J 2/1752 347/86
6,543,886 B1 *	4/2003	Hattori	B41J 2/1752 347/85

FIG. 3 illustrates a back view of the ink cartridge holder.

FIG. 4 illustrates a side view of the ink cartridge holder.

FIG. 5 illustrates an opposite side view of the ink cartridge holder.

FIG. 6 illustrates a top view of the ink cartridge holder.

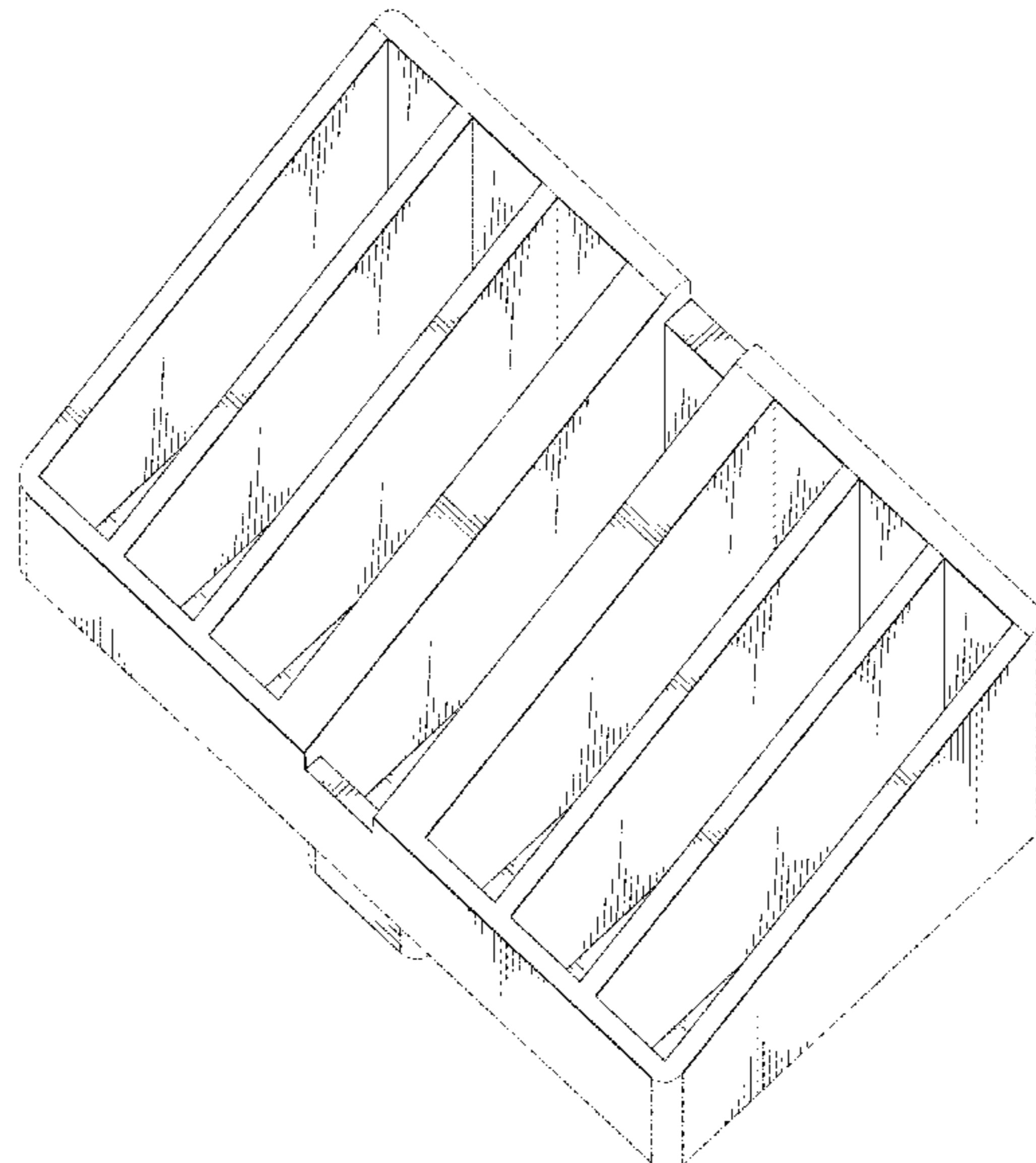
FIG. 7 illustrates a bottom view of the ink cartridge holder; and,

FIG. 8 illustrates a bottom perspective view of the ink cartridge holder.

The dot-dash broken lines immediately adjacent to the shaded areas depict the bounds of the claimed design, while all evenly spaced broken lines are directed to environment. The broken lines form no part of the claimed design.

(Continued)

1 Claim, 8 Drawing Sheets



(56)

References Cited

U.S. PATENT DOCUMENTS

D477,022 S 7/2003 Rosenbaum
D487,111 S 2/2004 Rosenbaum
D509,851 S 9/2005 Huang
D510,594 S * 10/2005 Hirashima D18/40
D530,744 S 10/2006 Harrison et al.
D595,771 S 7/2009 Oas
D608,826 S 1/2010 Laguatan et al.
D687,888 S 8/2013 Andre
D723,943 S * 3/2015 Kim D9/737
D748,095 S 1/2016 Oikawa
D809,061 S 1/2018 Wong et al.
11,027,556 B2 * 6/2021 Uchida B41J 29/13
2003/0001934 A1 * 1/2003 Kitabatake B41J 2/17556
347/86
2006/0244805 A1 11/2006 Yeh
2013/0242011 A1 * 9/2013 Campbell-Brown
B41J 2/17513
347/92
2016/0271962 A1 * 9/2016 Omuro B41J 2/1752

OTHER PUBLICATIONS

Ebay. Link: <https://www.ebay.com/itm/222633746189> . Visited Jul. 18, 2022. Shipping free,Black Refurbished Printhead QY6-0067 IP4500 IP5300 MP610 MP810 (Year: 2022).*

Ebay. Link: <https://www.ebay.com/itm/223178738344>. Visited Jul. 18, 2022. Ink Cartridge Holder Pipe Assembly fits For Epson Pro 3800 3880 3850 3890 3800C. (Year: 2022).*

* cited by examiner

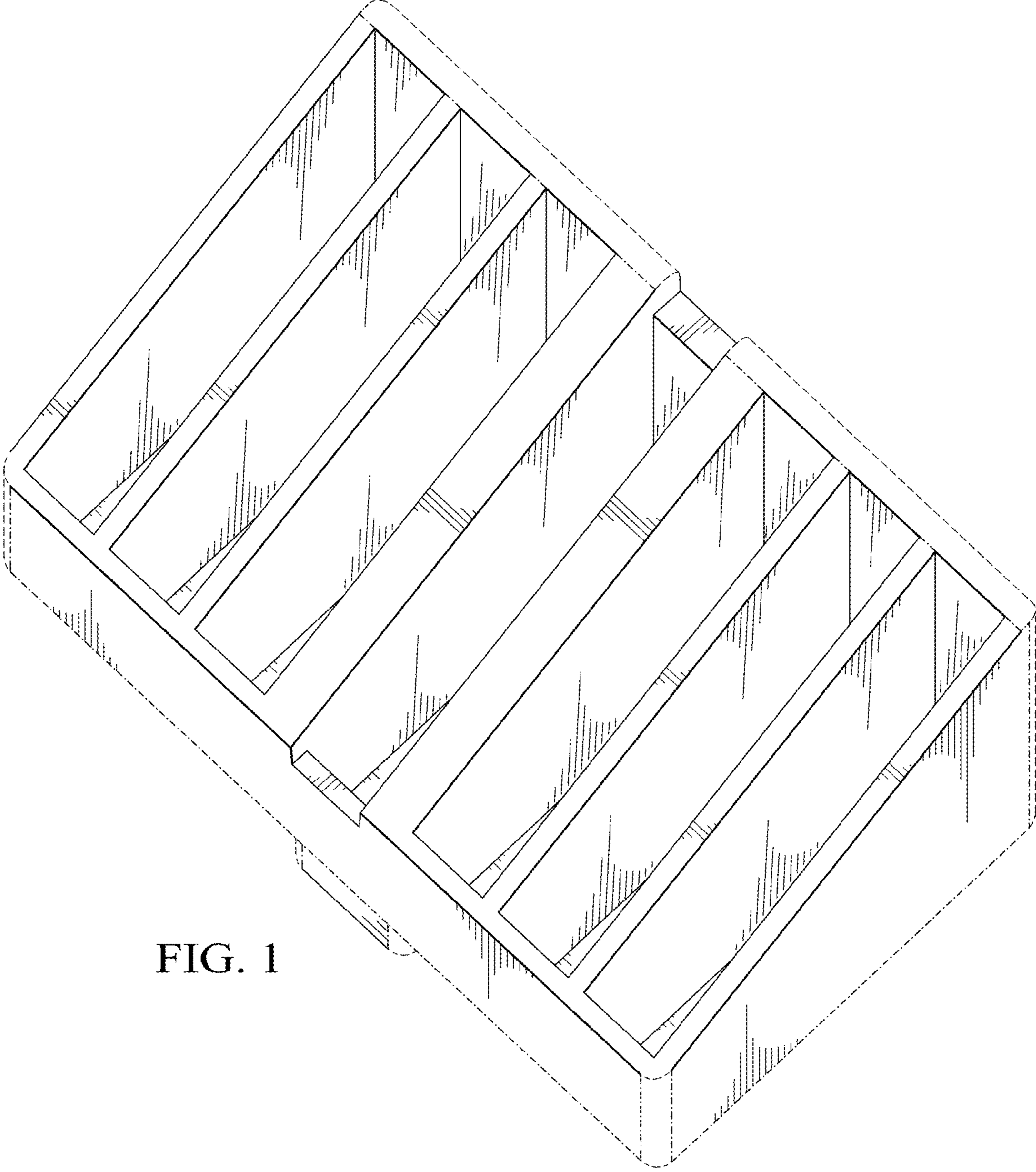


FIG. 1

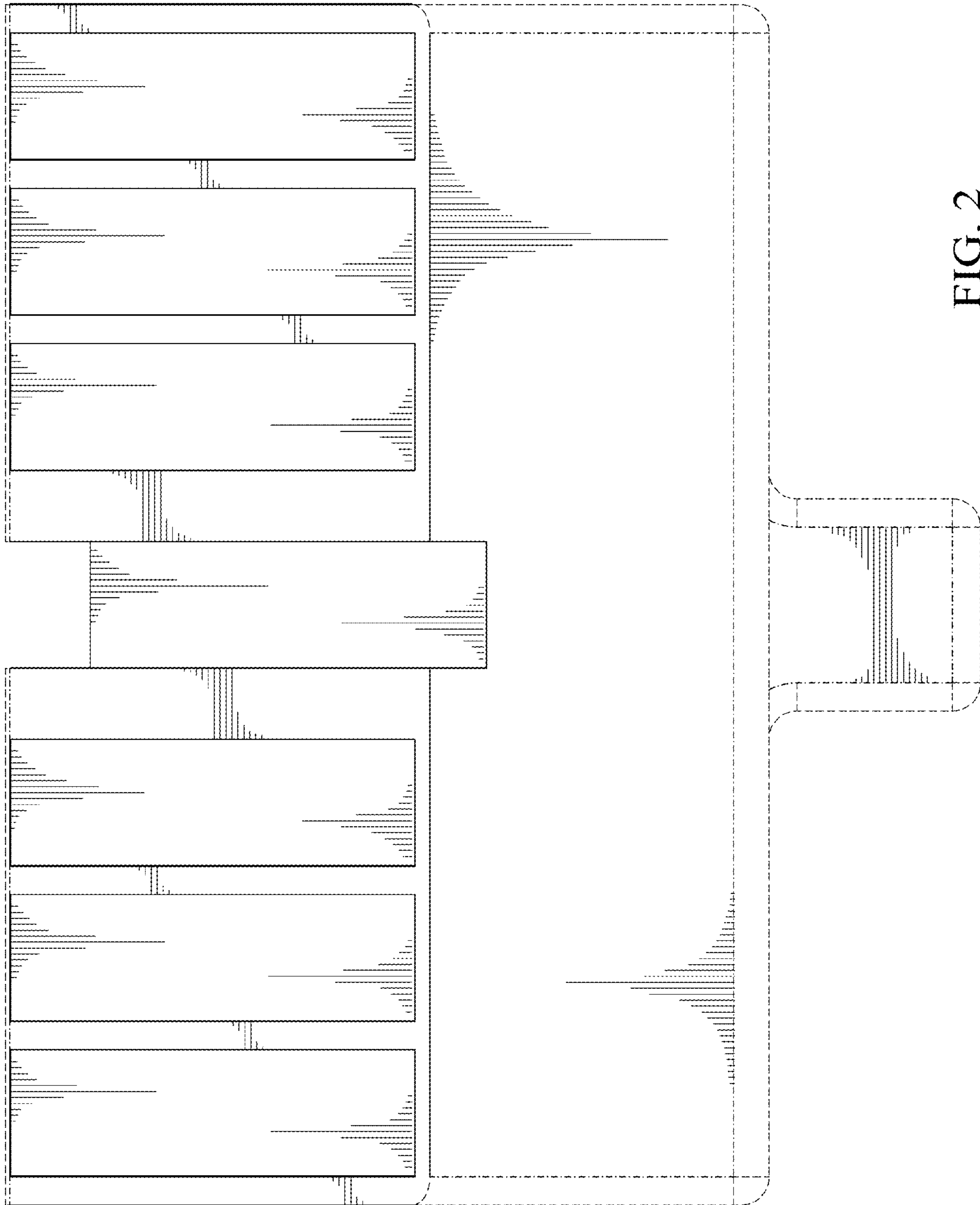
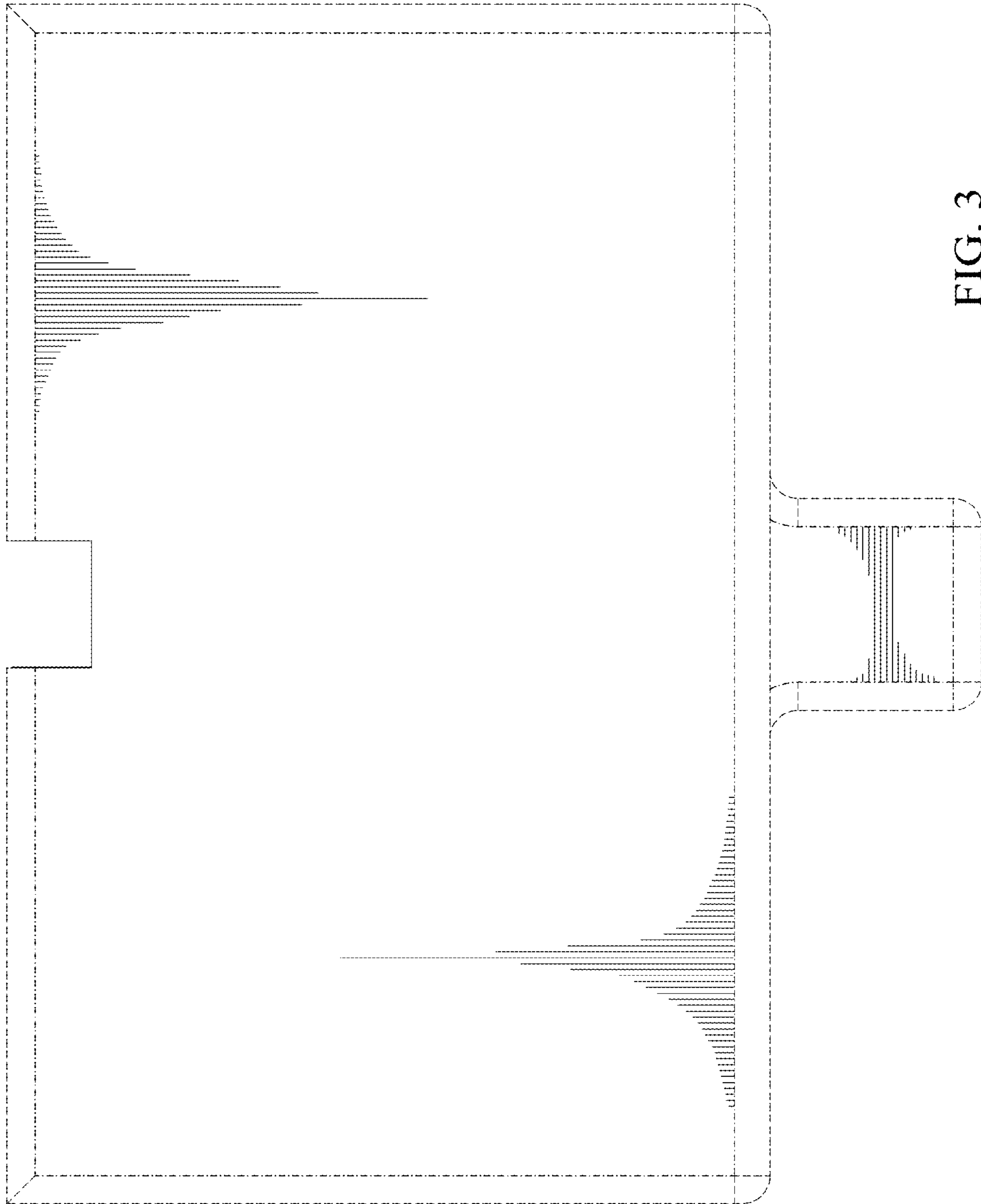


FIG. 2



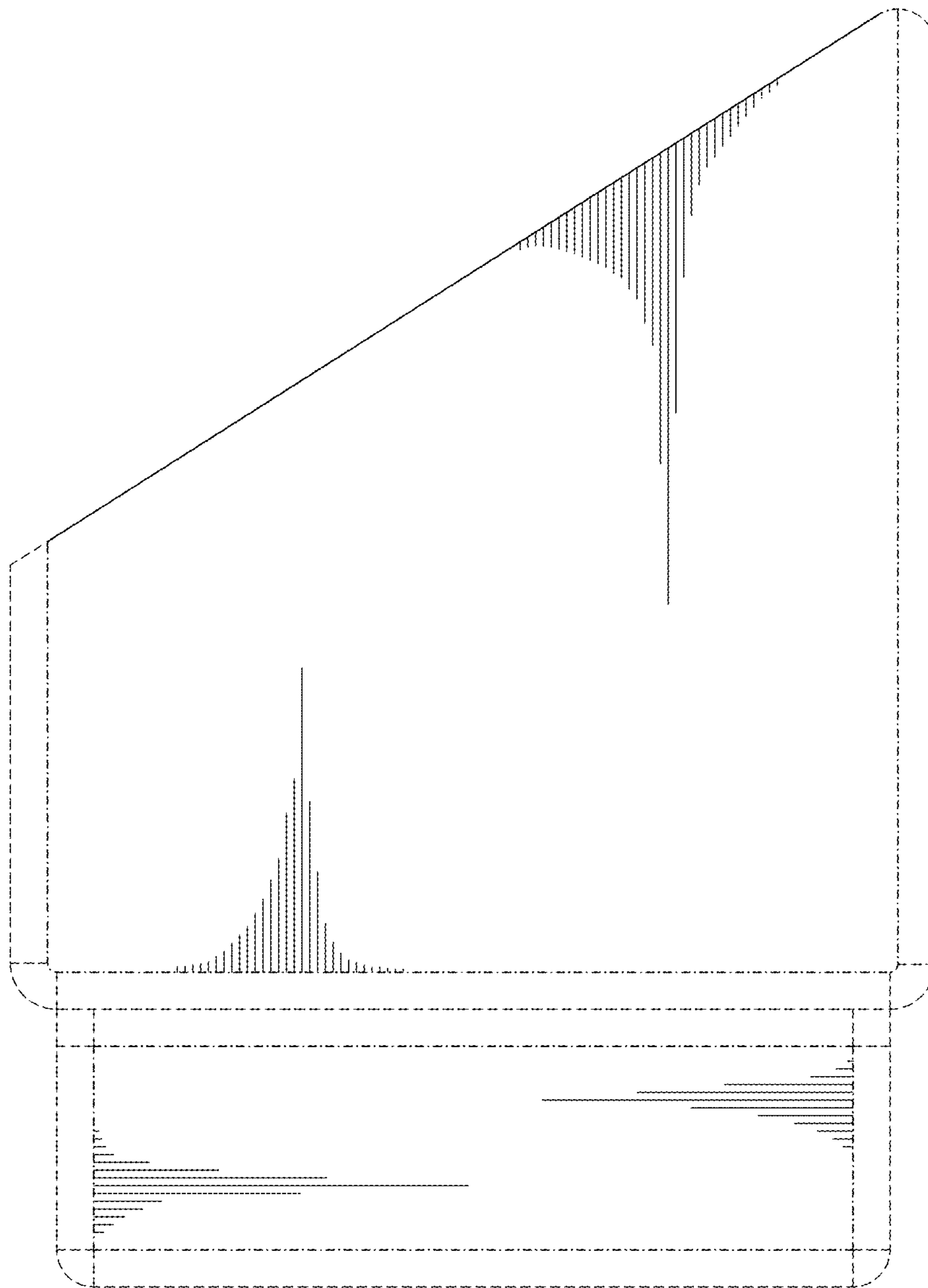


FIG. 4

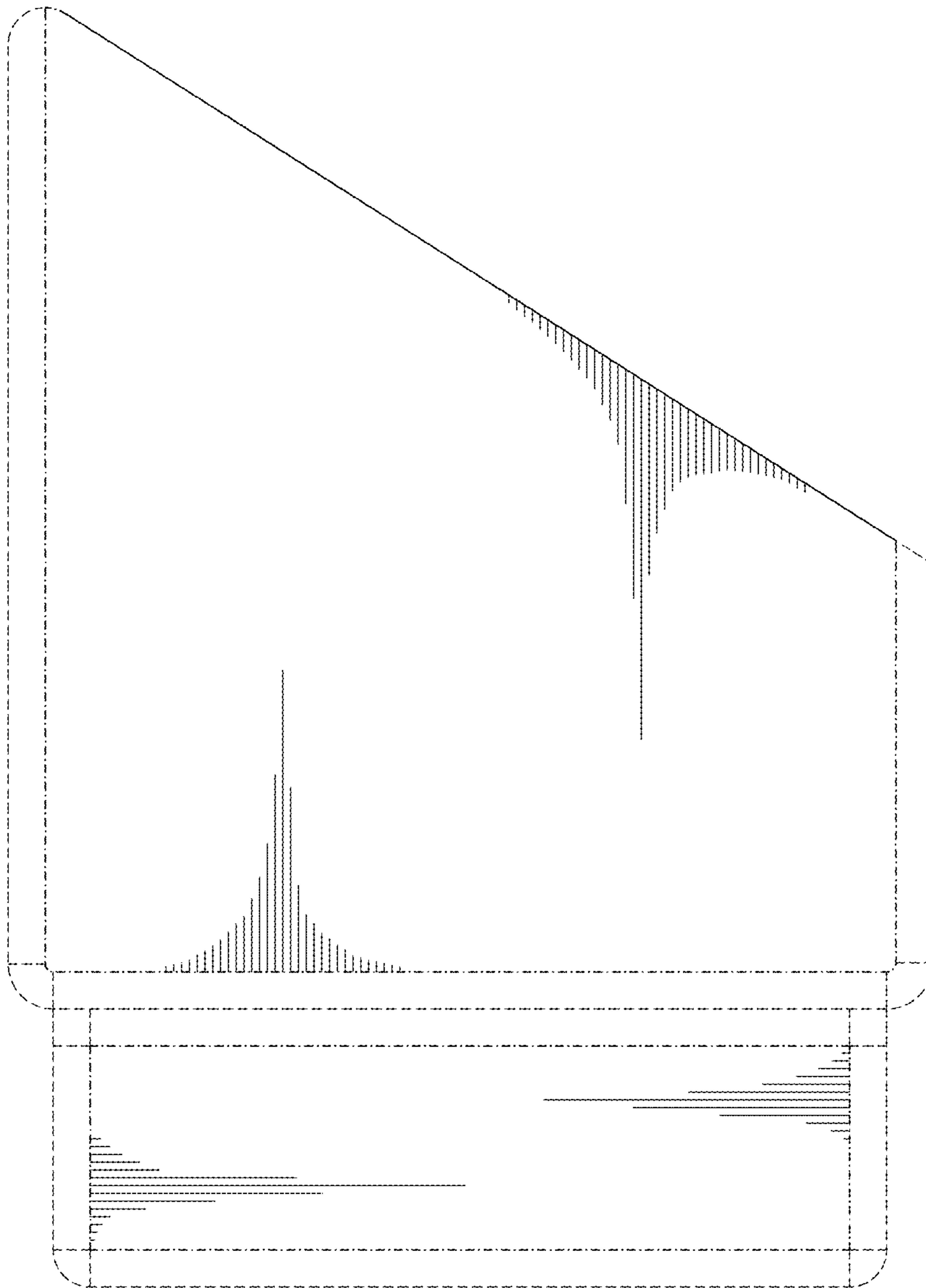


FIG. 5

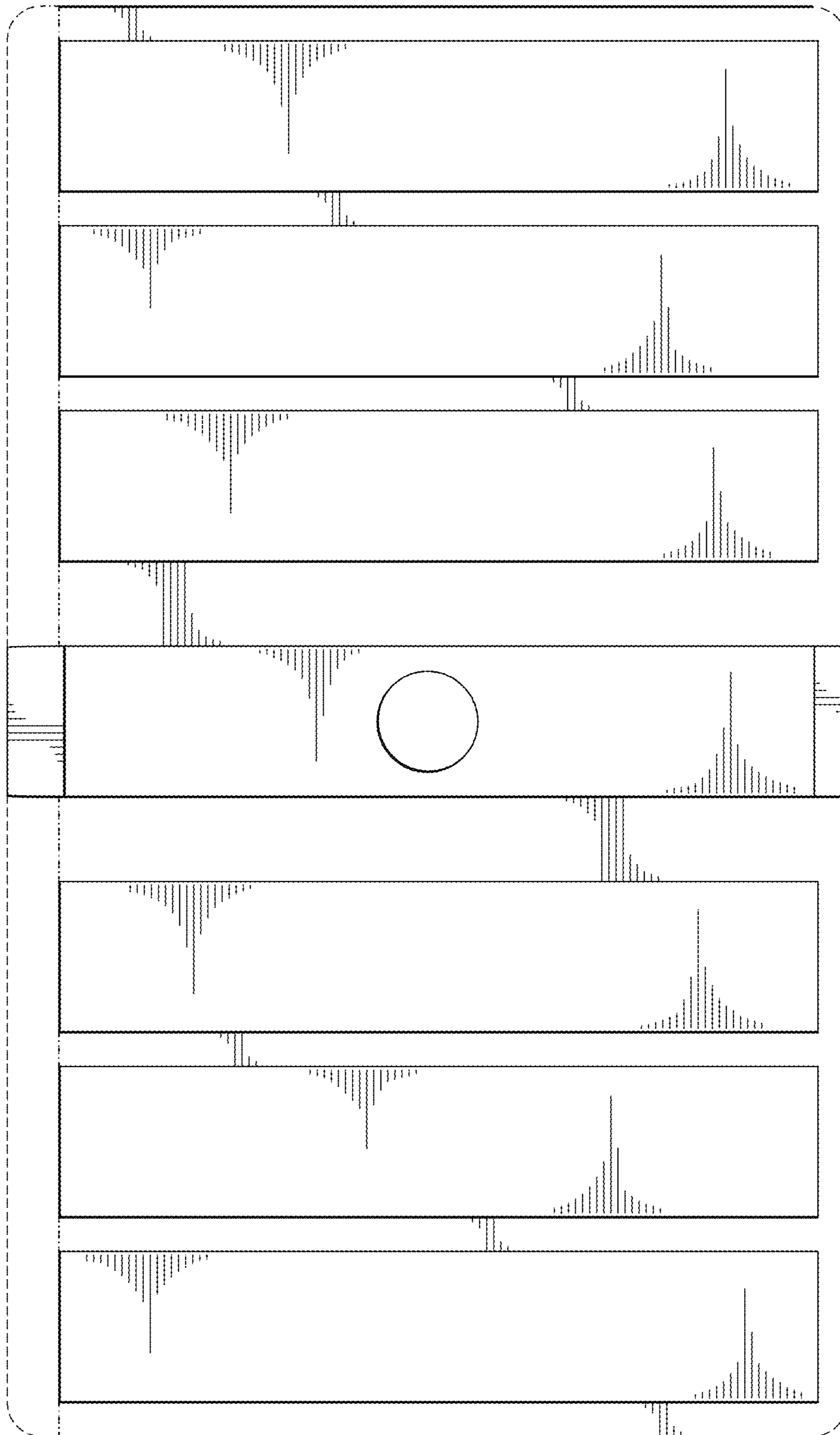


FIG. 6

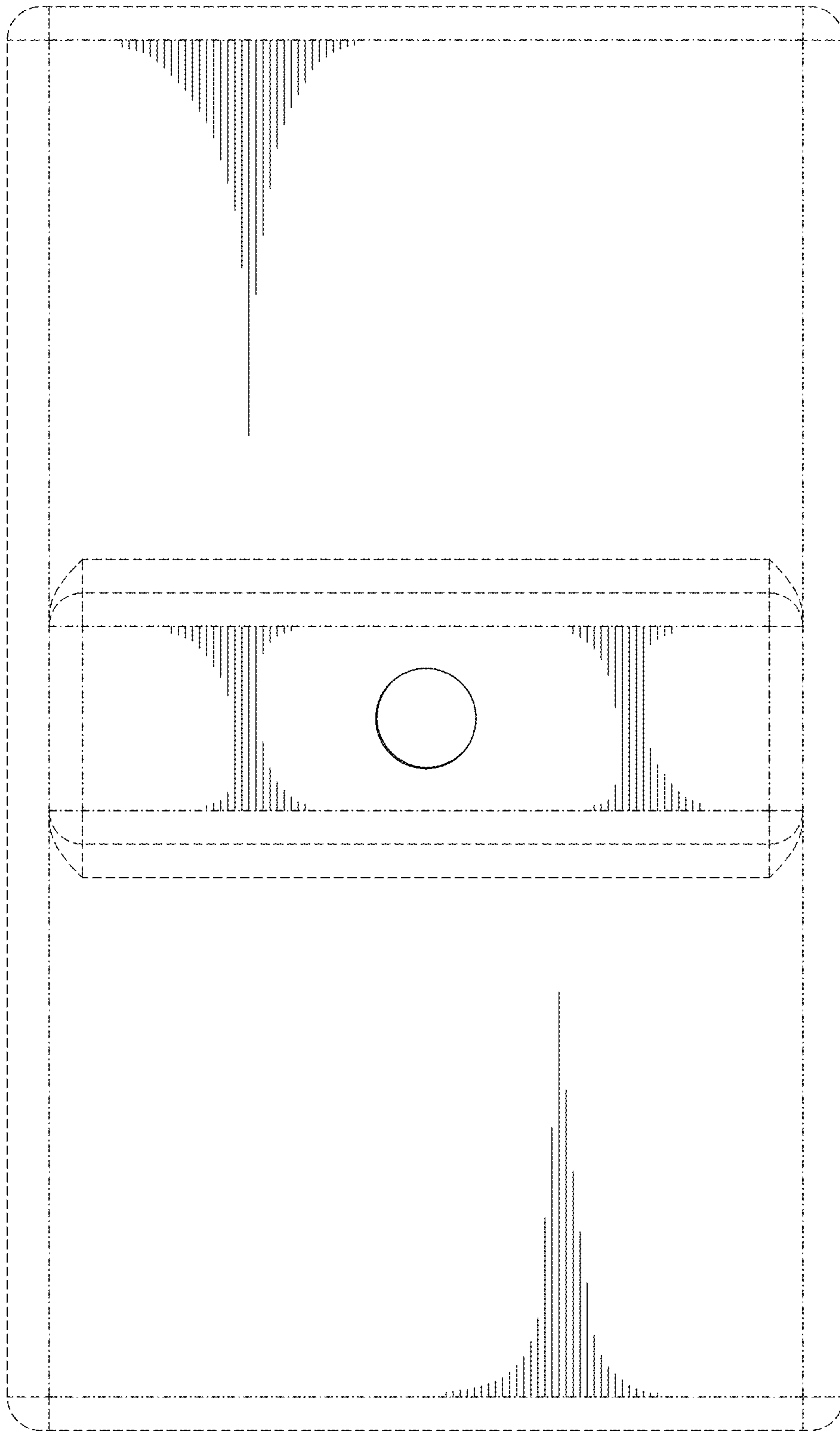


FIG. 7

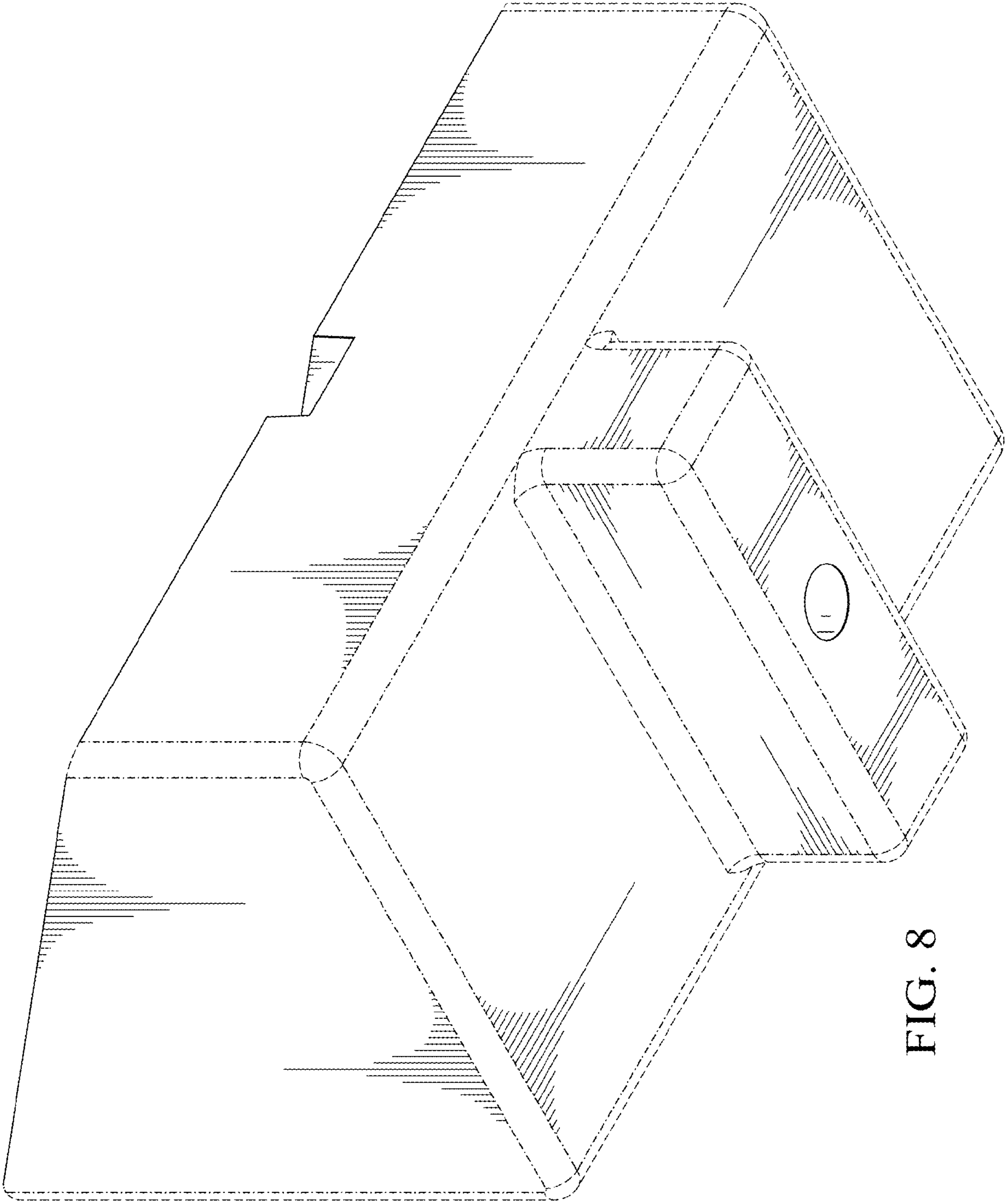


FIG. 8