



US00D971315S

(12) **United States Design Patent** (10) **Patent No.:** **US D971,315 S**
Okubo (45) **Date of Patent:** **** Nov. 29, 2022**

(54) **COMBINATION COPIER, SCANNER,
PRINTER**

FOREIGN PATENT DOCUMENTS

(71) Applicant: **FUJIFILM Corporation**, Tokyo (JP)

JP D1583806 * 7/2017
JP D1586213 * 8/2017

(72) Inventor: **Megumi Okubo**, Tokyo (JP)

OTHER PUBLICATIONS

(73) Assignee: **FUJIFILM CORPORATION**, Tokyo (JP)

Xerox VersaLink C505_X-p. 21-2020—Dell U.S. Appl. No. 29/755,975 and U.S. Appl. No. 29/755,979—<https://dell.to/3sGdRRa> (Year: 2020).*

(**) Term: **15 Years**

(Continued)

(21) Appl. No.: **29/755,975**

Primary Examiner — Jennifer L Rempfer
Assistant Examiner — Danielle Nichole Bowly

(22) Filed: **Oct. 23, 2020**

(74) *Attorney, Agent, or Firm* — McGinn I.P. Law Group, PLLC.

(30) **Foreign Application Priority Data**

(57) **CLAIM**

Apr. 27, 2020 (JP) 2020-008605

The ornamental design for combination copier, scanner, printer, as shown and described.

(51) **LOC (13) Cl.** **14-02**

(52) **U.S. Cl.**
USPC **D18/53**

DESCRIPTION

(58) **Field of Classification Search**
USPC D18/4.1, 4.4, 4.6, 37, 38, 39, 50, 53, 54,
D18/55, 59; D14/300, 301, 302, 307,
D14/308, 314, 321, 365, 445, 446;
D6/514, 672, 681.2, 691.9
CPC ... H04H 2201/0094; H04H 2201/0081; H04N
1/00278
See application file for complete search history.

FIG. 1 is a perspective view of a combination copier, scanner, printer showing my new design;
FIG. 2 is another perspective view of the combination copier, scanner, printer;
FIG. 3 is a front view of the combination copier, scanner, printer;
FIG. 4 is a rear view of the combination copier, scanner, printer;
FIG. 5 is a right view of the combination copier, scanner, printer;
FIG. 6 is a left view of the combination copier, scanner, printer;
FIG. 7 is a plan view of the combination copier, scanner, printer; and,
FIG. 8 is a bottom view of the combination copier, scanner, printer.

(56) **References Cited**

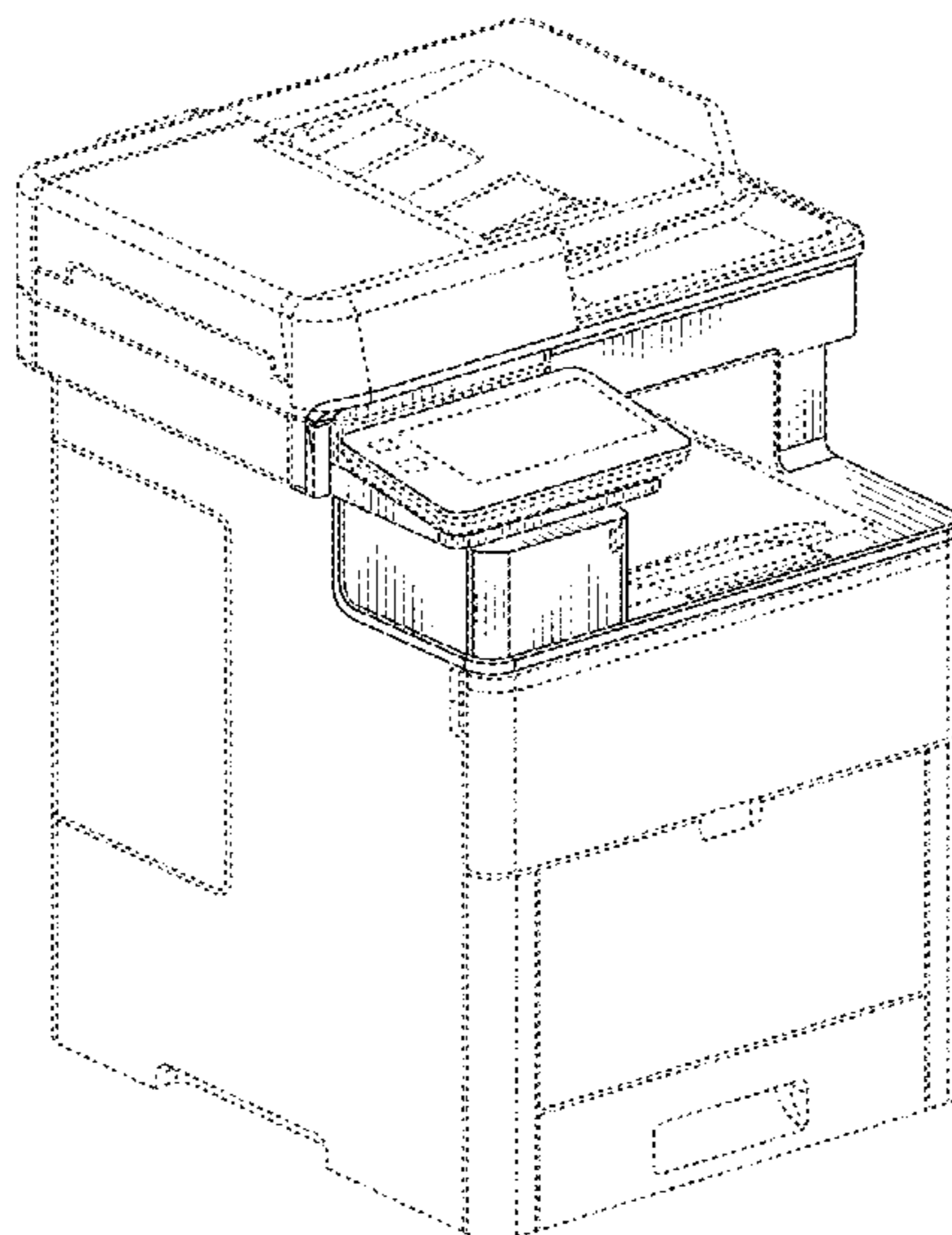
U.S. PATENT DOCUMENTS

D697,550 S * 1/2014 Nanno D18/50
D701,563 S * 3/2014 Kim D18/53
D727,415 S * 4/2015 Takeda D18/53
D794,707 S * 8/2017 Nanno D18/50
D807,426 S * 1/2018 Brown D18/50
D818,528 S * 5/2018 Tashima D18/50
D819,124 S * 5/2018 Brown D18/55
D820,907 S * 6/2018 Brown D18/53

The broken lines show portions of the design that form no part of the claim.

(Continued)

1 Claim, 8 Drawing Sheets



(56)

References Cited

U.S. PATENT DOCUMENTS

D821,488	S *	6/2018	Brown	D18/41
D821,489	S *	6/2018	Brown	D18/41
D821,490	S *	6/2018	Mita	D18/55
D822,103	S *	7/2018	Mita	D18/55
D826,321	S *	8/2018	Kim	D18/53
D832,343	S *	10/2018	Kim	D18/53
D837,292	S *	1/2019	Li	D18/50
D841,731	S *	2/2019	Brown	D18/47
D857,793	S *	8/2019	Brown	D18/56
D868,884	S *	12/2019	Inada	D18/55
D893,603	S *	8/2020	Pangburn	D18/55
D907,701	S *	1/2021	Hayashi	D18/50
11,122,173	B2 *	9/2021	An	H04N 1/00559
2015/0281484	A1 *	10/2015	Hozono	H04N 1/00551
					358/471
2018/0101114	A1 *	4/2018	Takeuchi	G03G 21/1633
2019/0268485	A1 *	8/2019	Sakashita	G06K 9/00771
2020/0092436	A1 *	3/2020	Lagumbay	H04N 1/444
2020/0145556	A1 *	5/2020	Yoshimura	H04N 1/0048

OTHER PUBLICATIONS

Xerox VersaLink C505_S Color Multifunction Printer, p. 13-2019—
 Amazon.com—U.S. Appl. No. 29/755,975 and U.S. Appl. No.
 29/755,979—<https://www.amazon.com/Xerox-C505-VersaLink-Ethernet-Purpose/dp/B0747B33W7?th=1> (Year: 2019).*

* cited by examiner

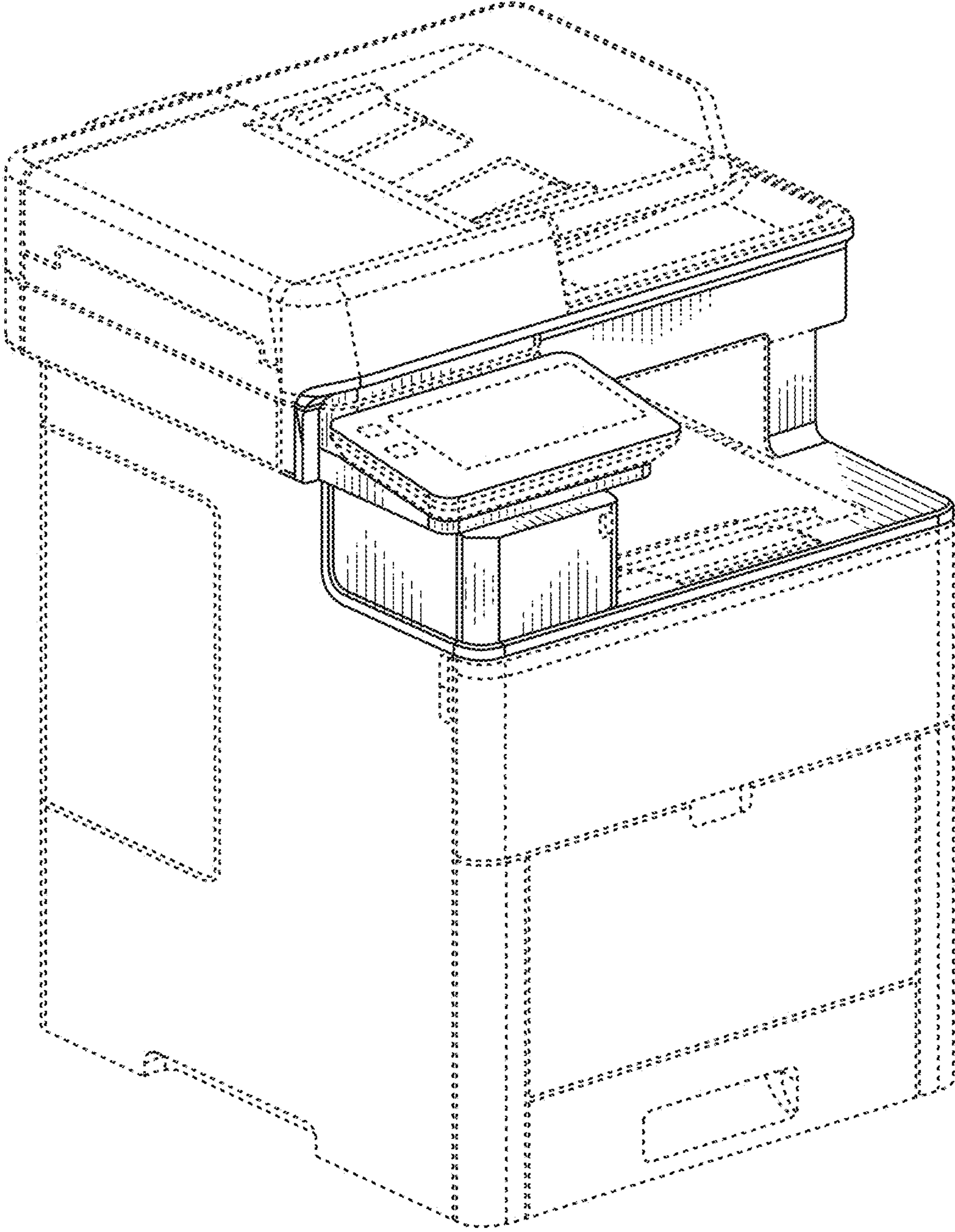


FIG. 1

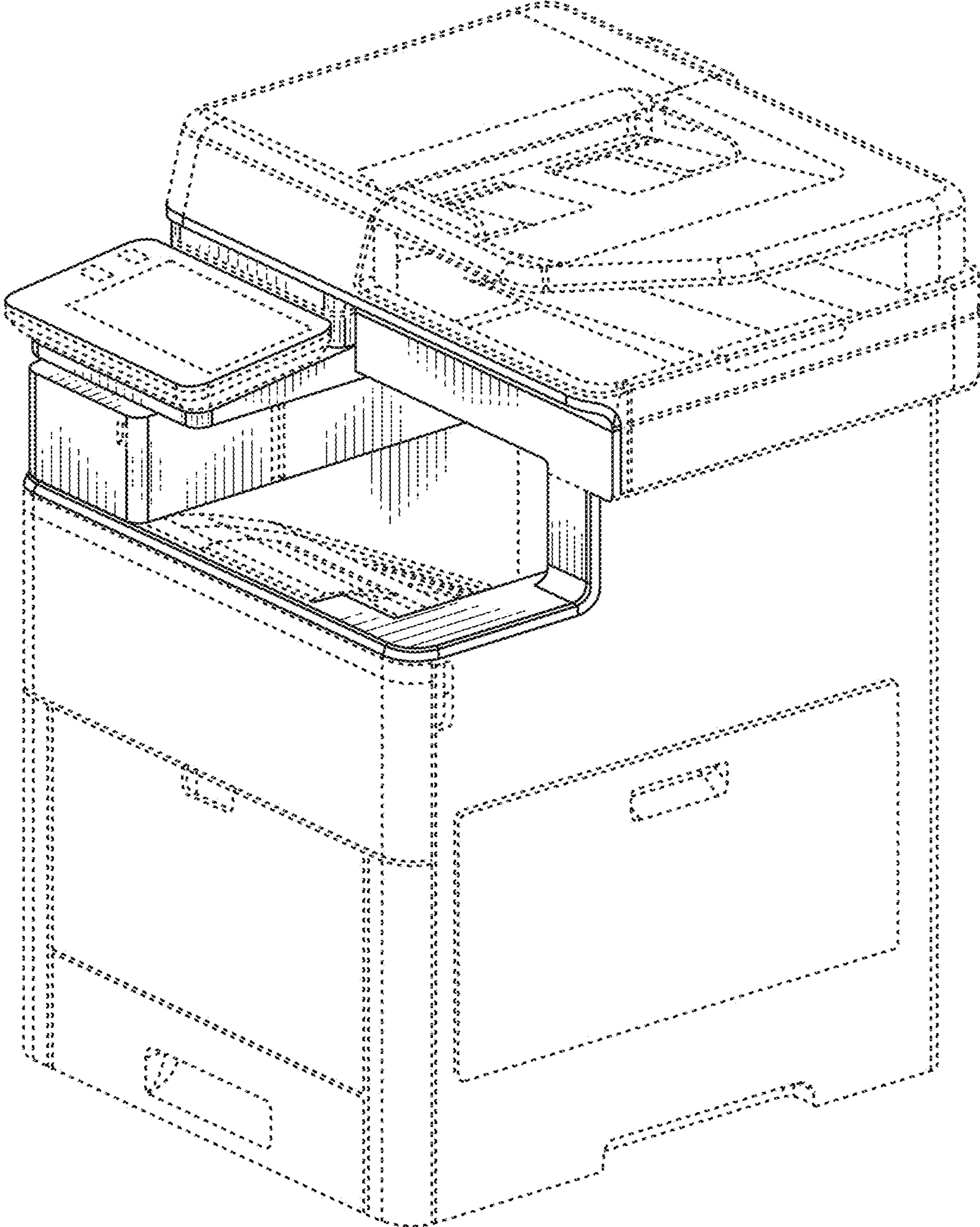


FIG. 2

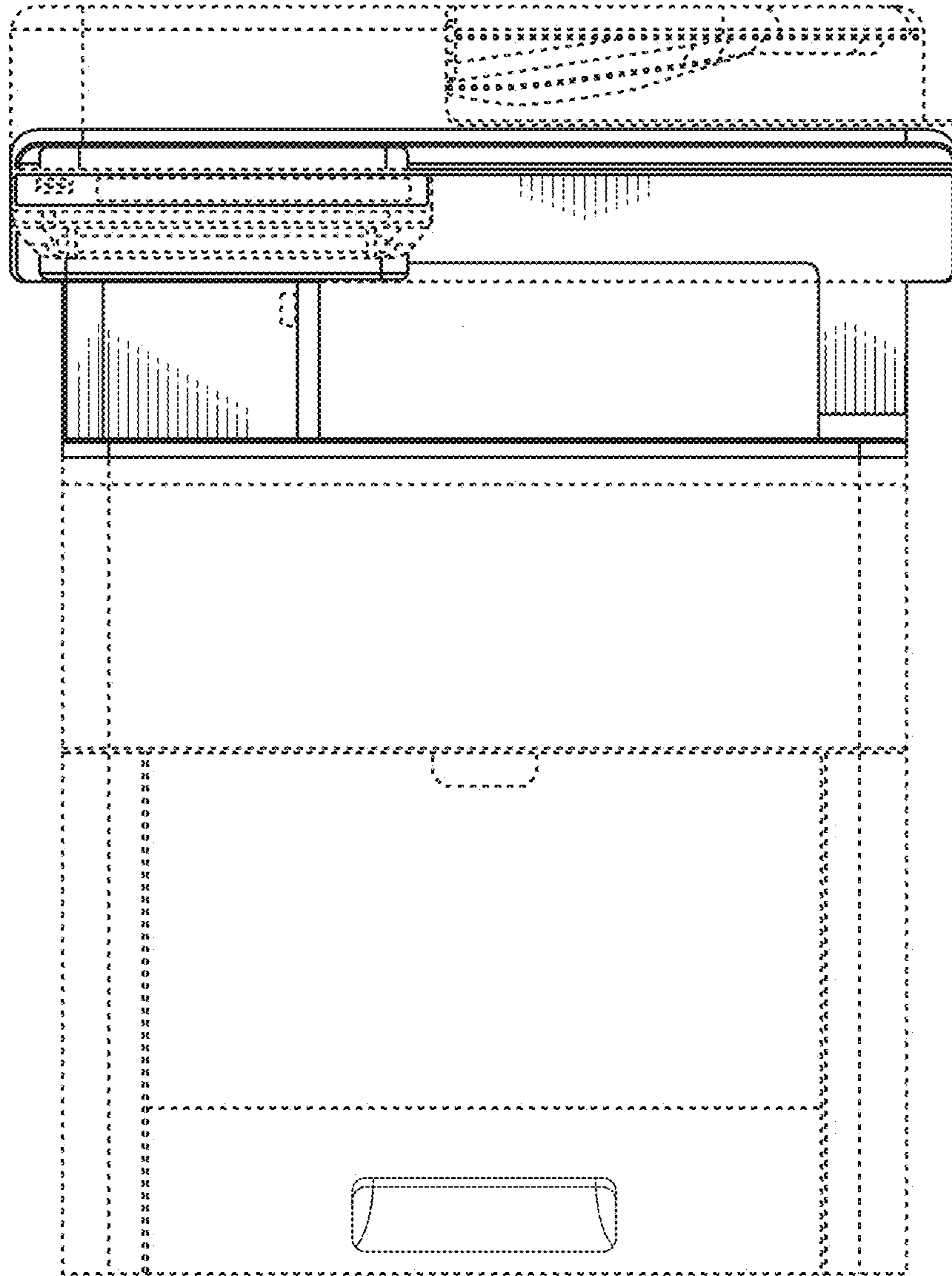


FIG. 3

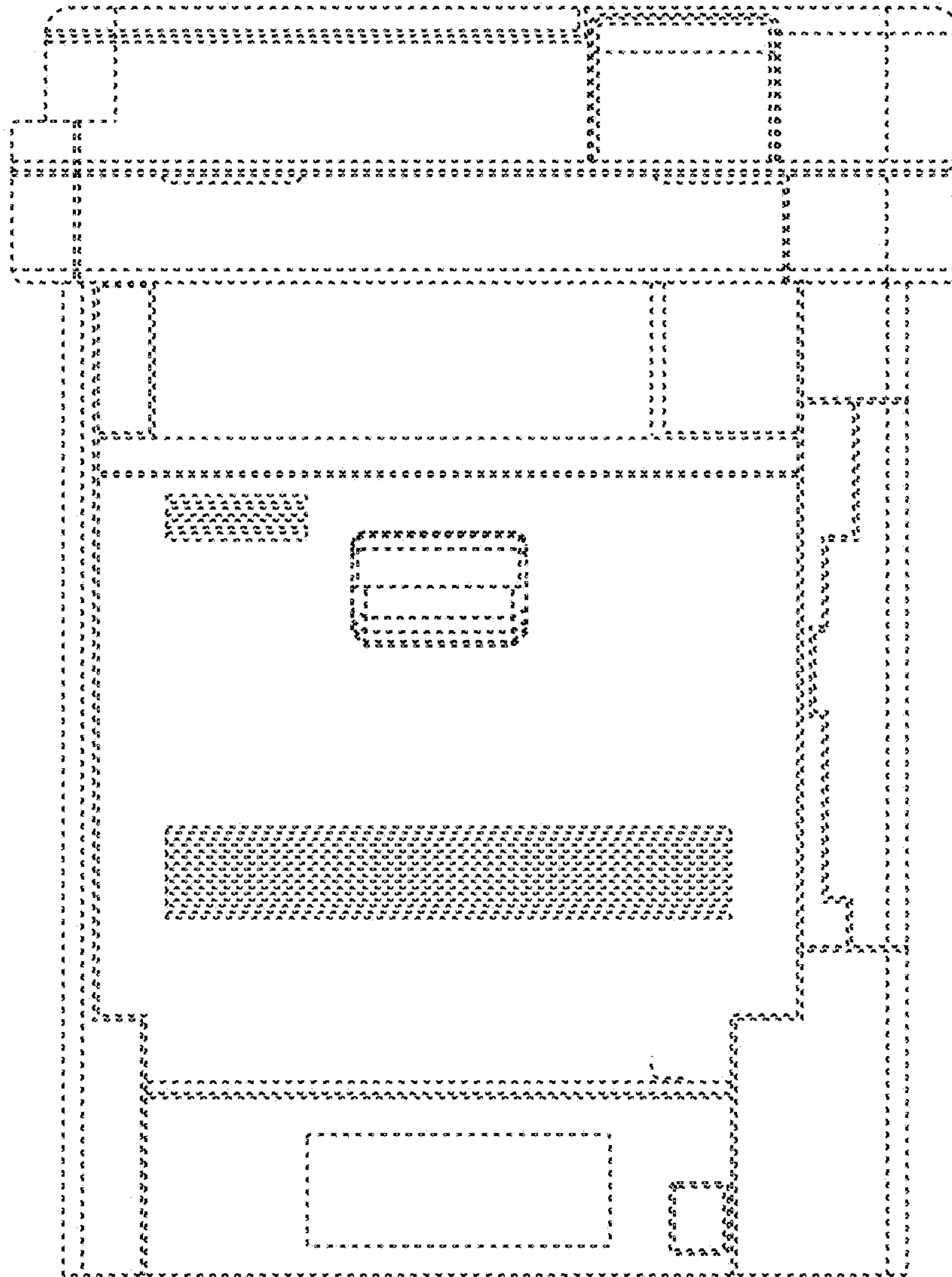


FIG. 4

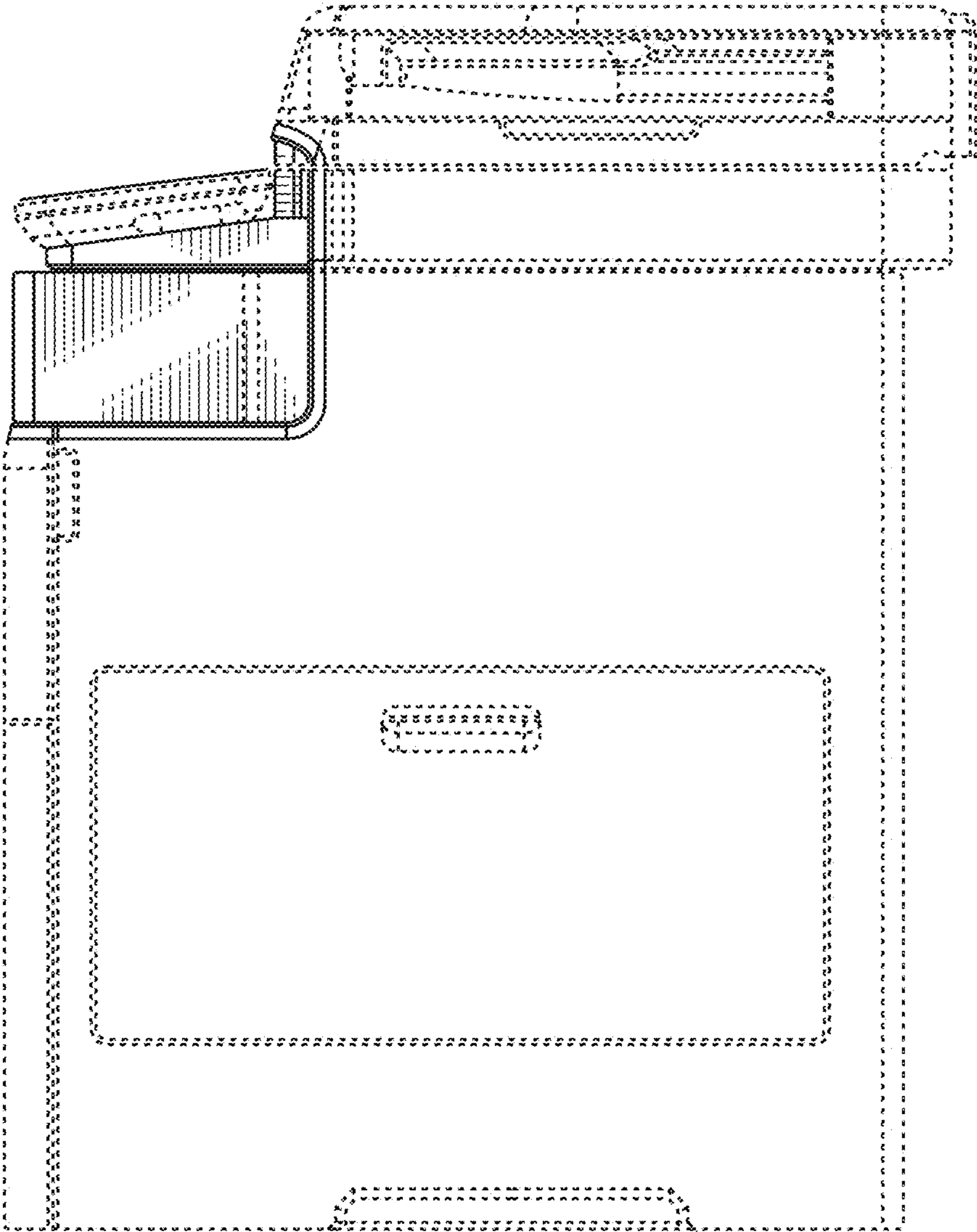


FIG. 5

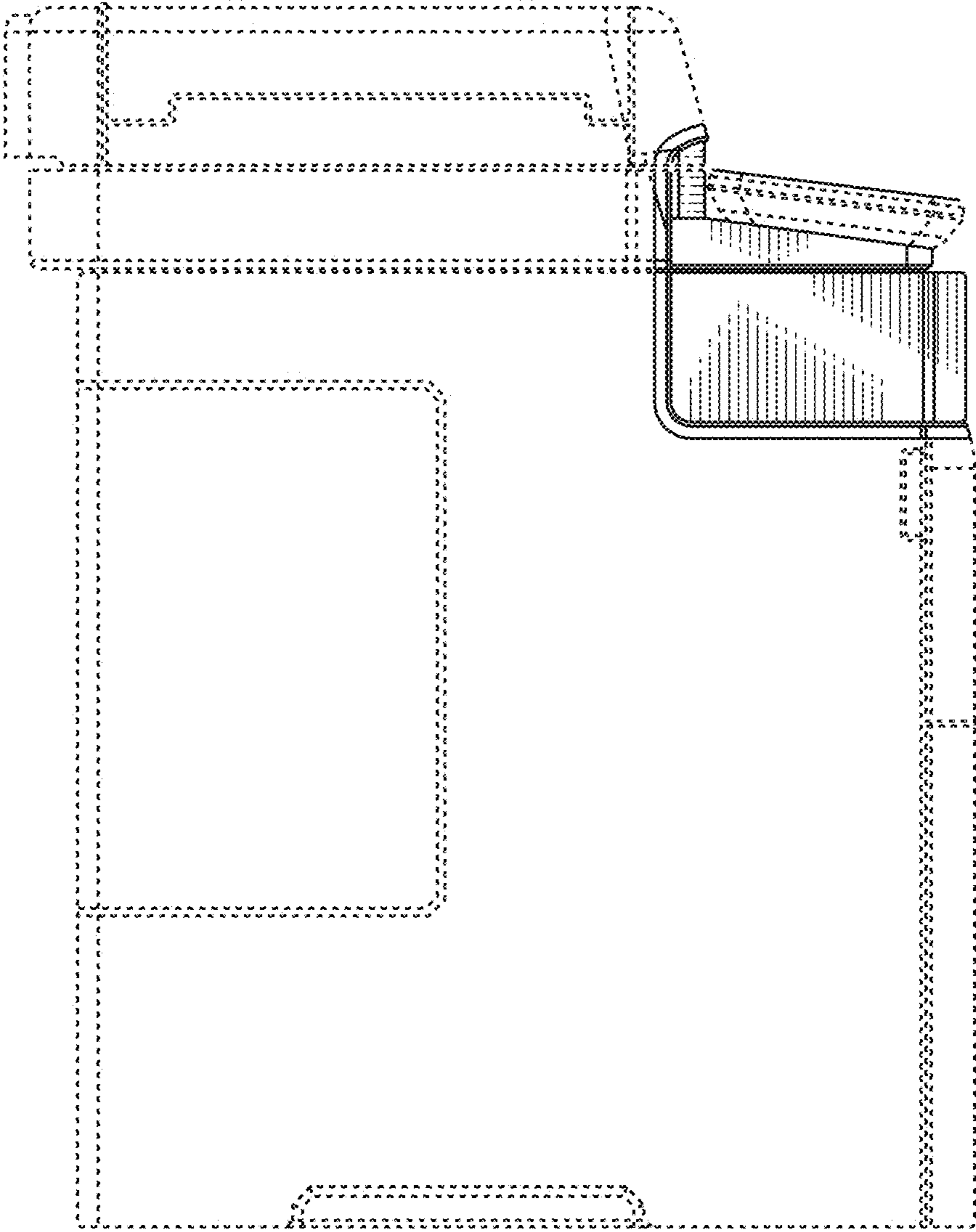


FIG. 6

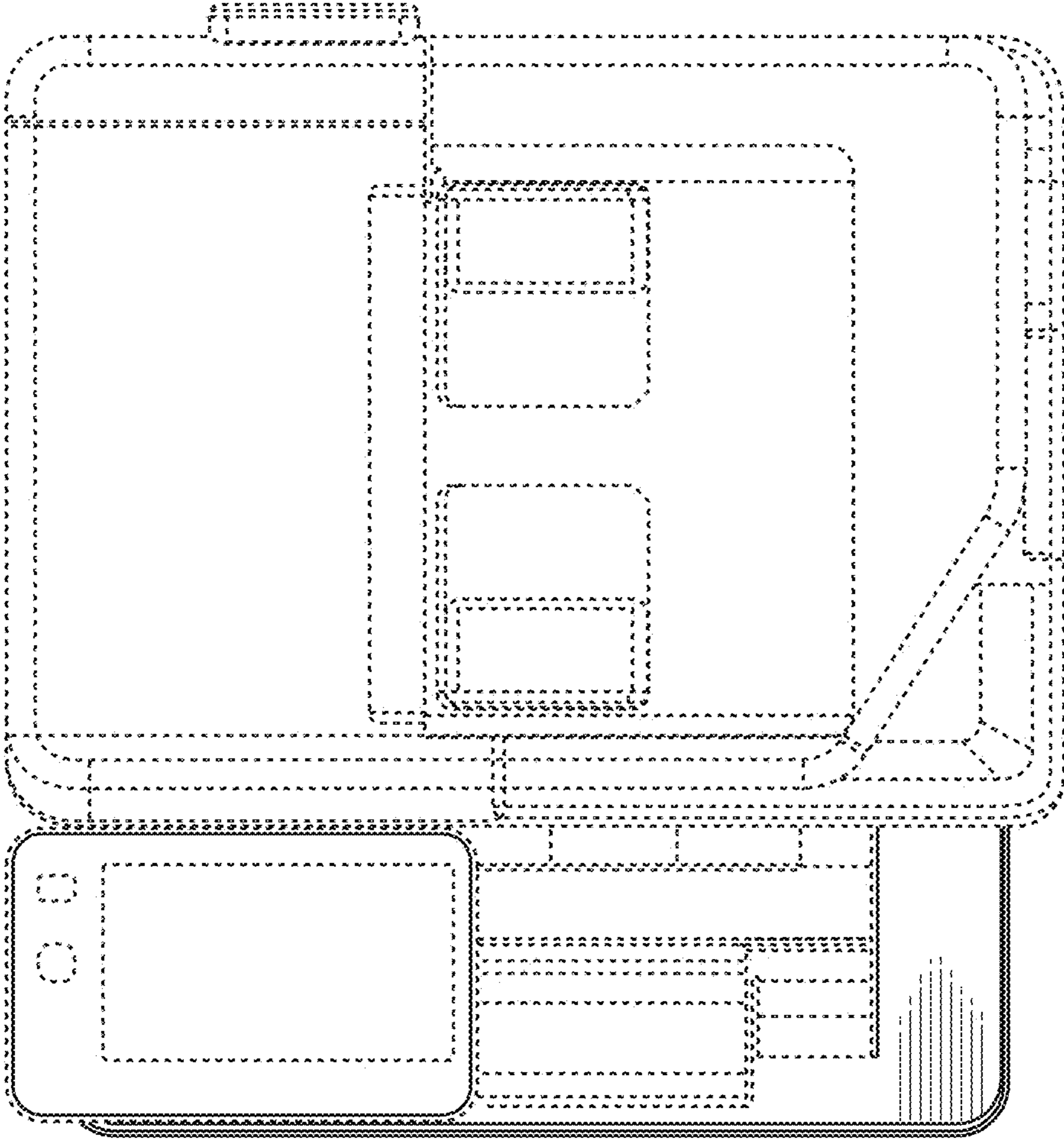


FIG. 7

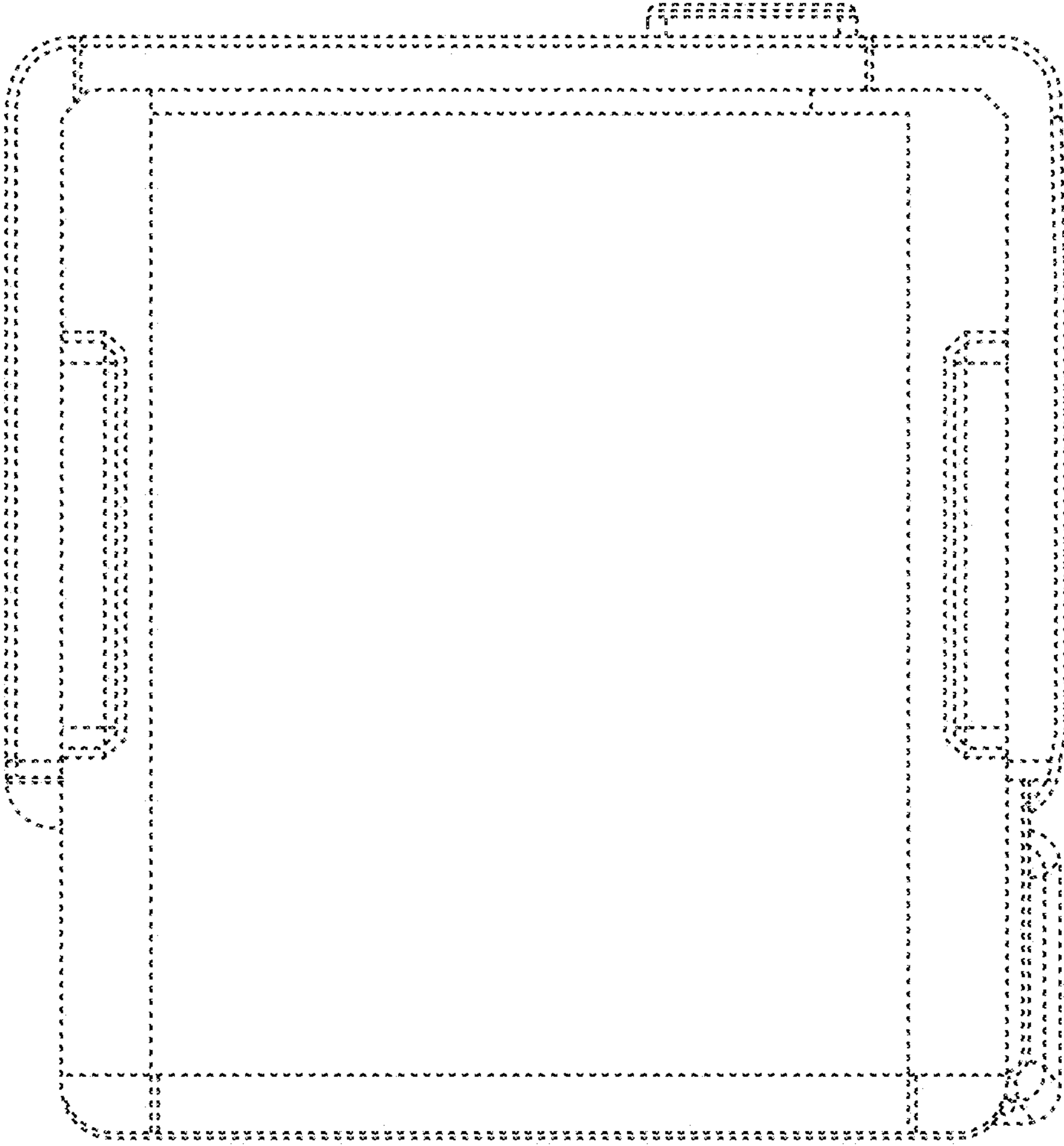


FIG. 8