



US00D971314S

(12) **United States Design Patent** (10) **Patent No.:** **US D971,314 S**
Asano (45) **Date of Patent:** **** *Nov. 29, 2022**

- (54) **PRINTER**
- (71) Applicant: **BROTHER INDUSTRIES, LTD.**,
Nagoya (JP)
- (72) Inventor: **Masahide Asano**, Nagoya (JP)
- (73) Assignee: **BROTHER INDUSTRIES, LTD.**,
Nagoya (JP)
- (*) Notice: This patent is subject to a terminal disclaimer.
- (**) Term: **15 Years**
- (21) Appl. No.: **29/690,122**
- (22) Filed: **May 6, 2019**
- (30) **Foreign Application Priority Data**
Nov. 8, 2018 (JP) 2018-024529
- (51) **LOC (13) Cl.** **14-02**
- (52) **U.S. Cl.**
USPC **D18/50**
- (58) **Field of Classification Search**
USPC D18/50, 53, 54, 55, 56, 36, 37, 38, 39,
D18/40, 41, 45; D14/301, 307, 121
CPC H04N 1/00278; H04N 1/00204; H04N
1/00249; G06K 15/12; G06K 15/14; B41J
3/00; B41J 3/28; B41J 3/445; B41J 3/46
See application file for complete search history.

- (56) **References Cited**
U.S. PATENT DOCUMENTS
D614,234 S * 4/2010 Ishikawa D18/55
D648,377 S * 11/2011 Miyauchi D18/50
D667,051 S * 9/2012 Sato D18/50
D670,327 S * 11/2012 Yamashita D18/55
D675,673 S * 2/2013 Sato D18/50
D678,402 S * 3/2013 Sato D18/50
D730,437 S * 5/2015 Seki D18/50

- D737,895 S * 9/2015 Nanno D18/50
- D743,483 S 11/2015 Nanno et al.
- D743,484 S 11/2015 Nanno et al.
- D752,138 S * 3/2016 Seki D18/50
- D770,565 S * 11/2016 Tanaka D18/50
- D806,790 S 1/2018 Sato
- D815,683 S * 4/2018 Tanaka D18/50
- D827,021 S 8/2018 Asano et al.

(Continued)

FOREIGN PATENT DOCUMENTS

- CN 302299324 * 1/2013
- CN 306003936 * 8/2020

(Continued)

OTHER PUBLICATIONS

Amazon. Link: https://www.amazon.com/dp/B09HZ6L79N/ref=sspa_dk_detail_2?psc=1&pd_rd_i=B09HZ6L79N&pd_rd_w=h8Ak9&pf_rd_p=b9951ce4-3bd8-4b04-91%E2%80%A6. Oct. 8, 2021. Brother HL-L23 00D Compact Laser Monochrome Printer. (Year: 2021).*

(Continued)

Primary Examiner — Lauren D McVey
(74) *Attorney, Agent, or Firm* — Oliff PLC

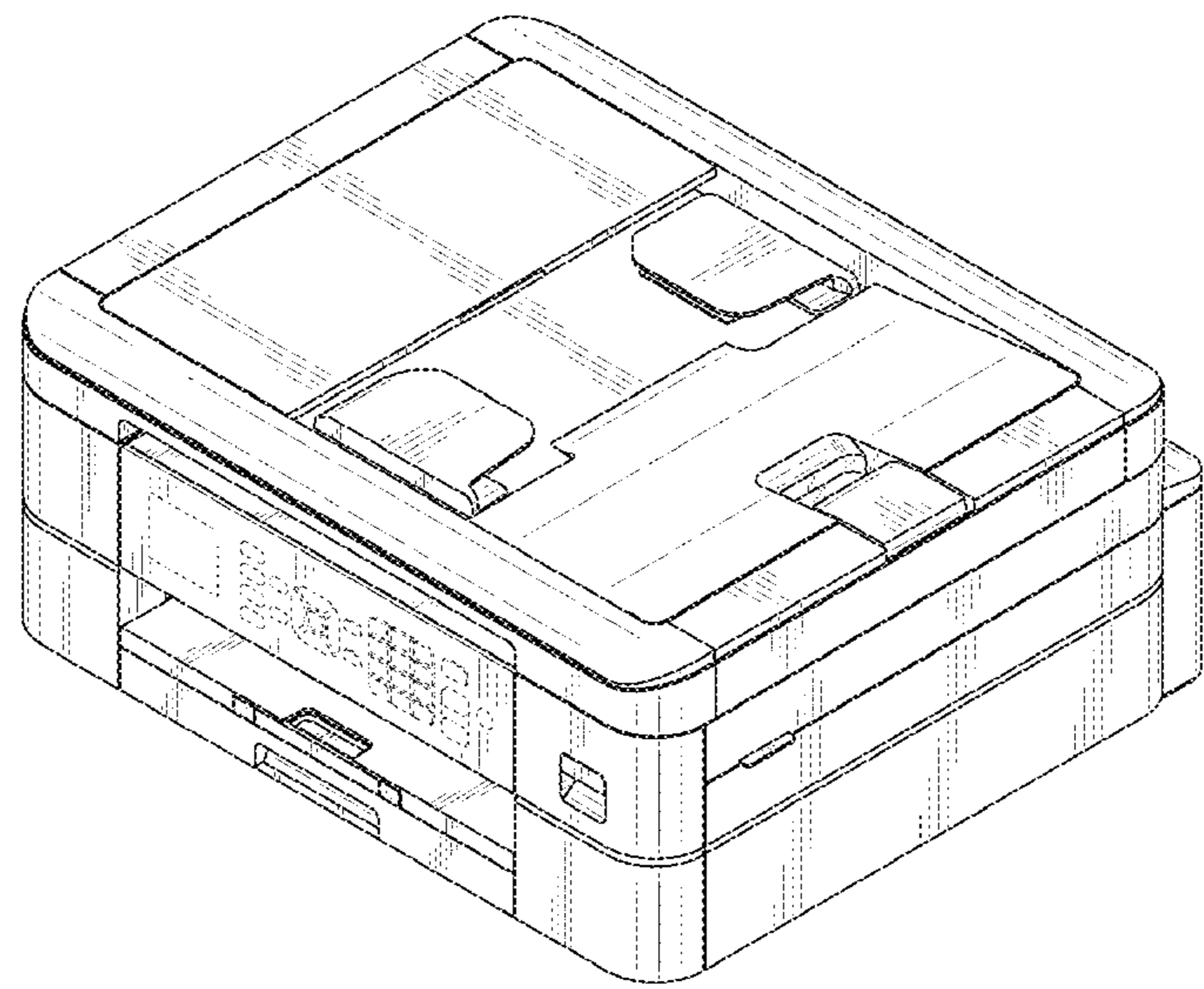
(57) **CLAIM**

The ornamental design for a printer, as shown and described.

DESCRIPTION

FIG. 1 is a perspective view of the printer; FIG. 2 is a front elevational view thereof; FIG. 3 is a rear elevational view thereof; FIG. 4 is a left-side elevational view thereof; FIG. 5 is a right-side elevational view thereof; FIG. 6 is a top plan view thereof; and, FIG. 7 is a bottom plan view thereof. The evenly spaced broken lines depict unclaimed parts of the printer and form no part of the claimed design.

1 Claim, 7 Drawing Sheets



(56)

References Cited

U.S. PATENT DOCUMENTS

D942,536 S * 2/2022 Odachi D18/53
2020/0316972 A1* 10/2020 Umehara B41J 29/02

FOREIGN PATENT DOCUMENTS

EP 3695973 A1 * 8/2020 B41J 2/17566
JP 2017007837 A * 1/2017 B65H 1/26
JP D1566380 * 12/2019
JP D1633760 * 2/2022

OTHER PUBLICATIONS

Amazon. Link: https://www.amazon.com/Premium-Canon-Inkjet-Printer-Resolution/dp/B09B7GGLCK/ref=psdc_172646_t4_B09D7Z6JVM. Jul. 26, 2021. Premium Canon PIXMA 2522 Series All-in-One Color Inkjet Printer. (Year: 2021).*

Amazon. Link: https://www.amazon.com/Brother-MFC-J460DW-Wireless-Automatic-Replenishment/dp/B015ACX13U/ref=sr_1_1?crid=K5JQXNZTWOGX&keyword%E2%80%A6. Dec. 1, 2015. Brother MFC-J460DW, All-in-One Color Inkjet Printer. (Year: 2015).*

Amazon. Link: <https://www.amazon.com/Brother-Wireless-MFC-J491DW-Multi-Function-Replenishment/dp/B07C4V4WWF>. May 13, 2018. Brother Wireless All-in-One Inkjet Printer, MFC-J491DW. (Year: 2018).*

* cited by examiner

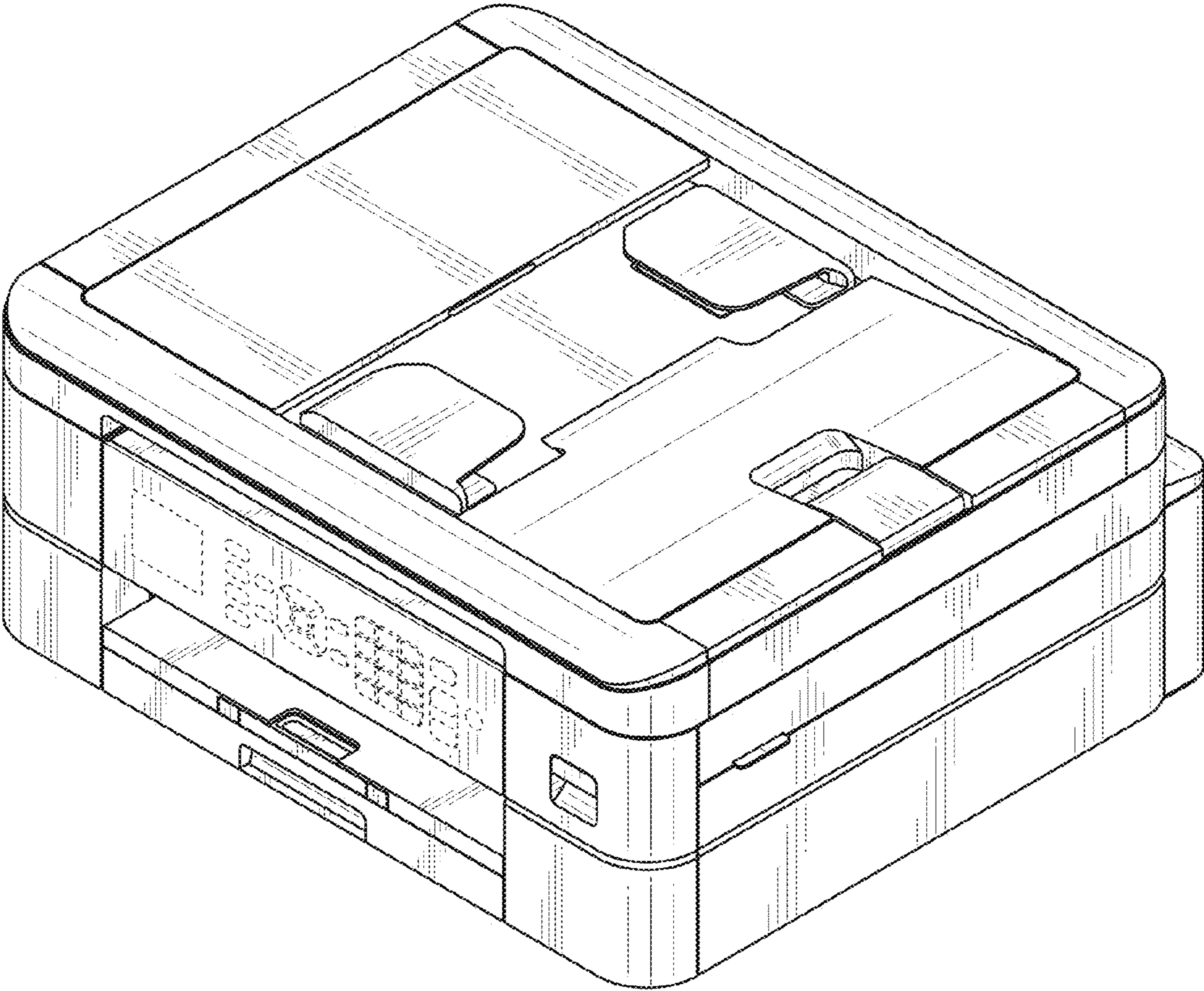


FIG. 1

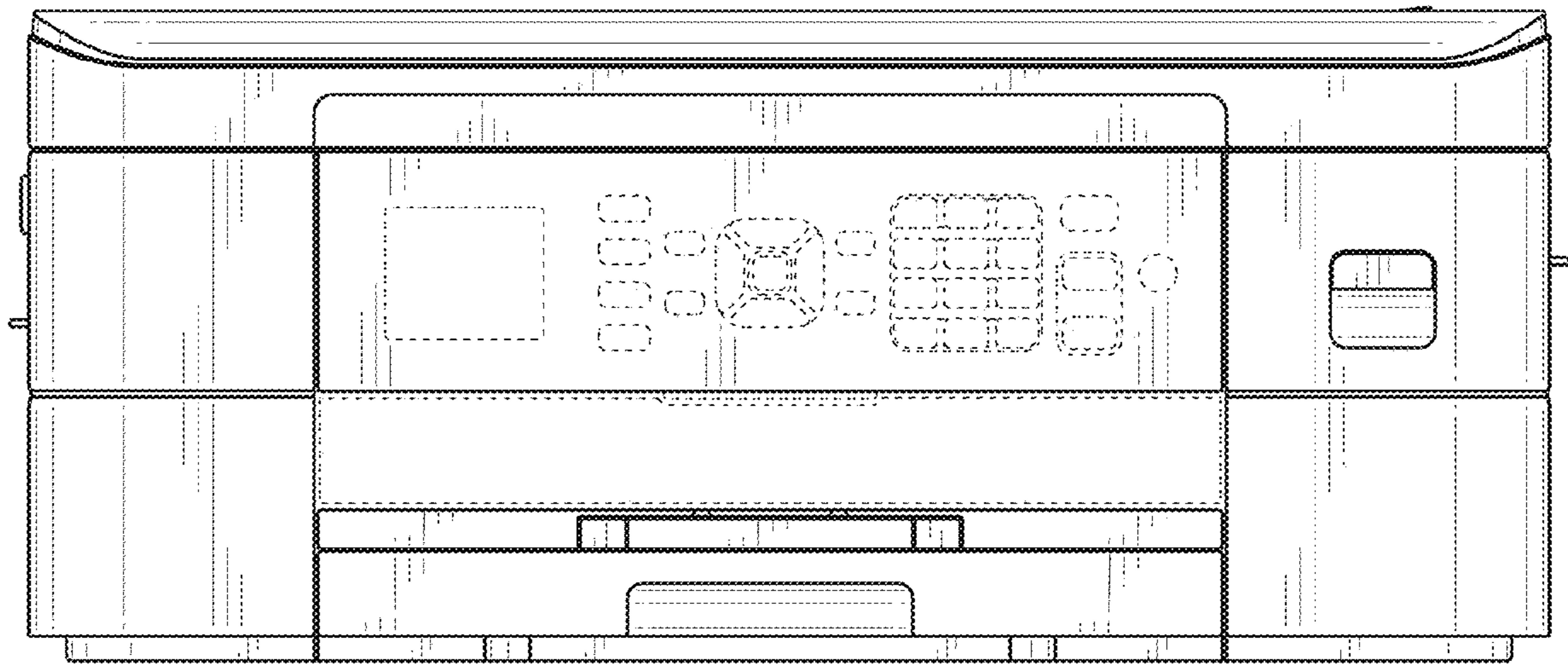


FIG. 2

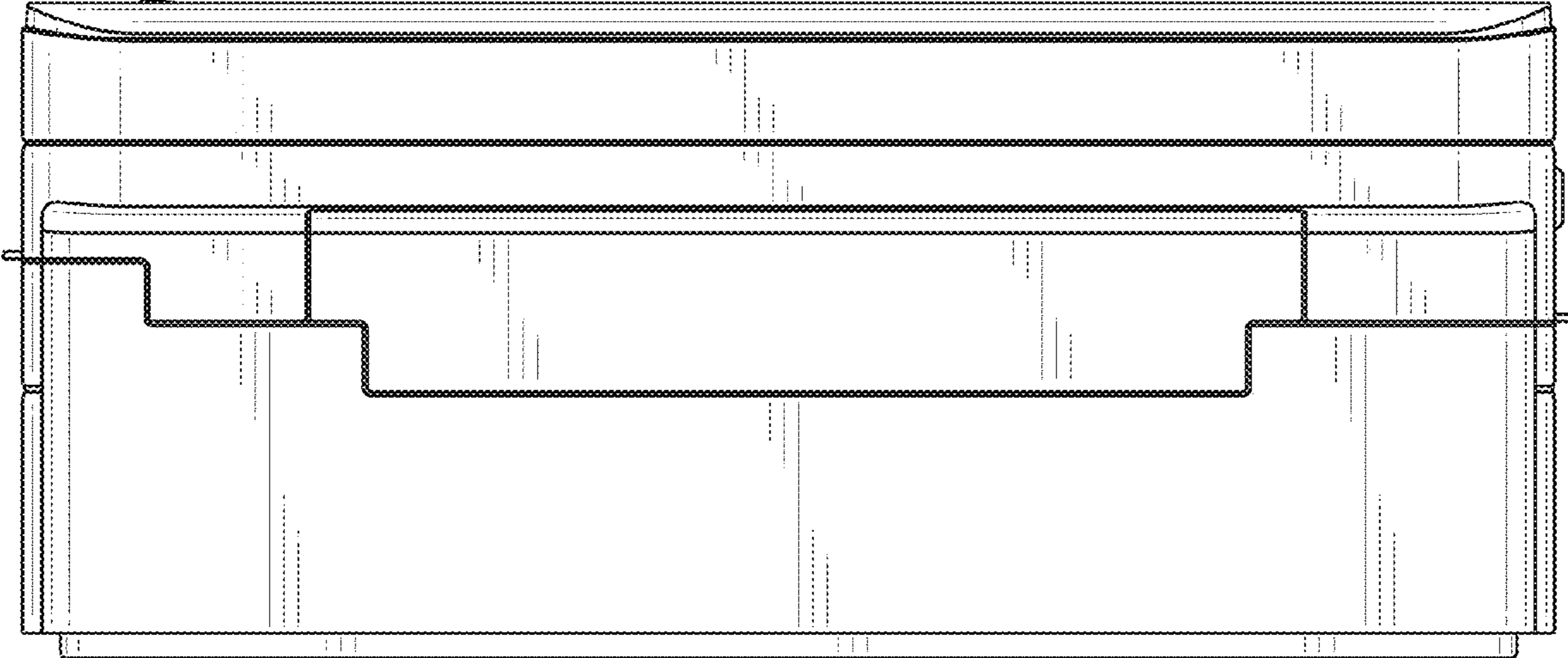


FIG. 3

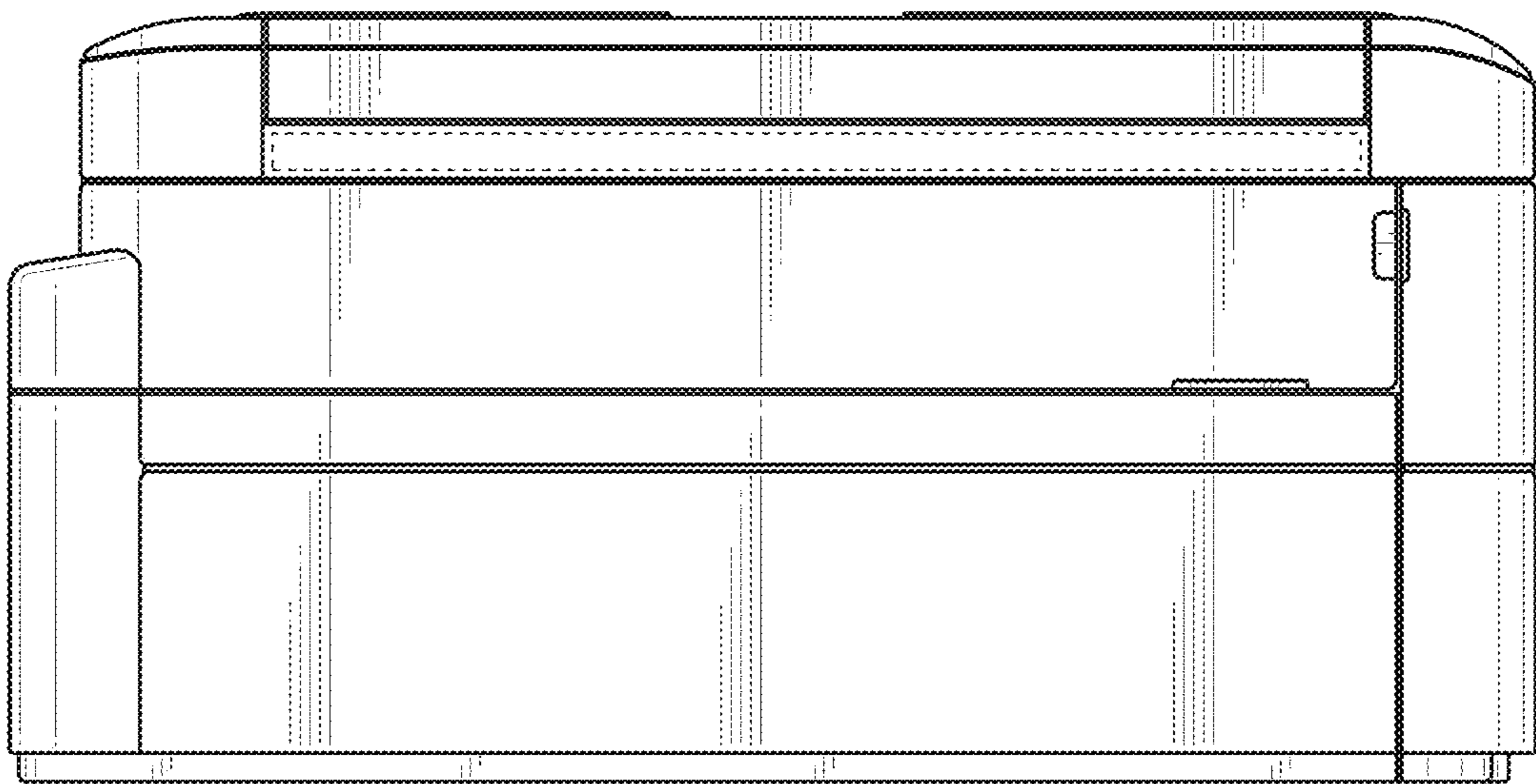


FIG. 4

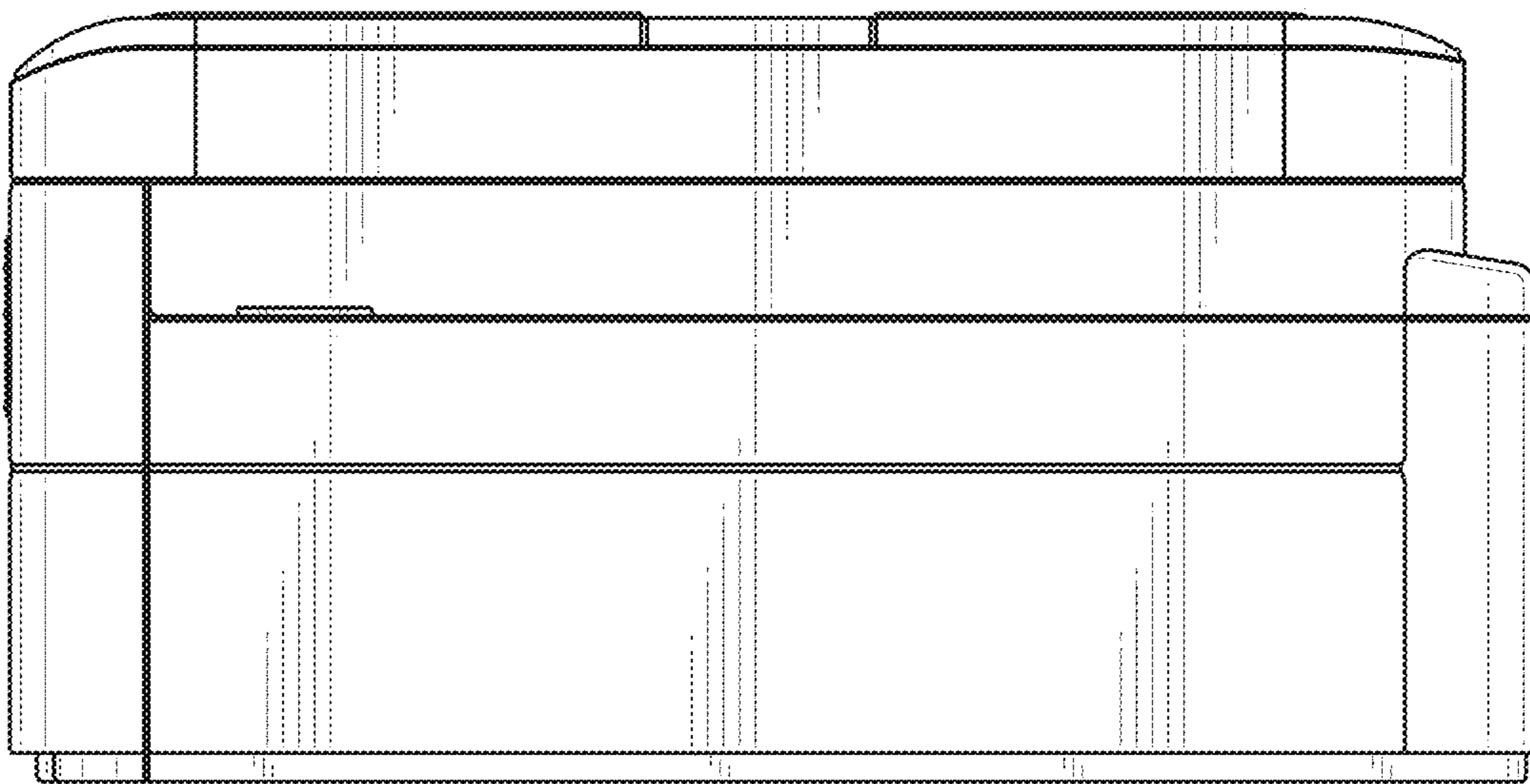


FIG. 5

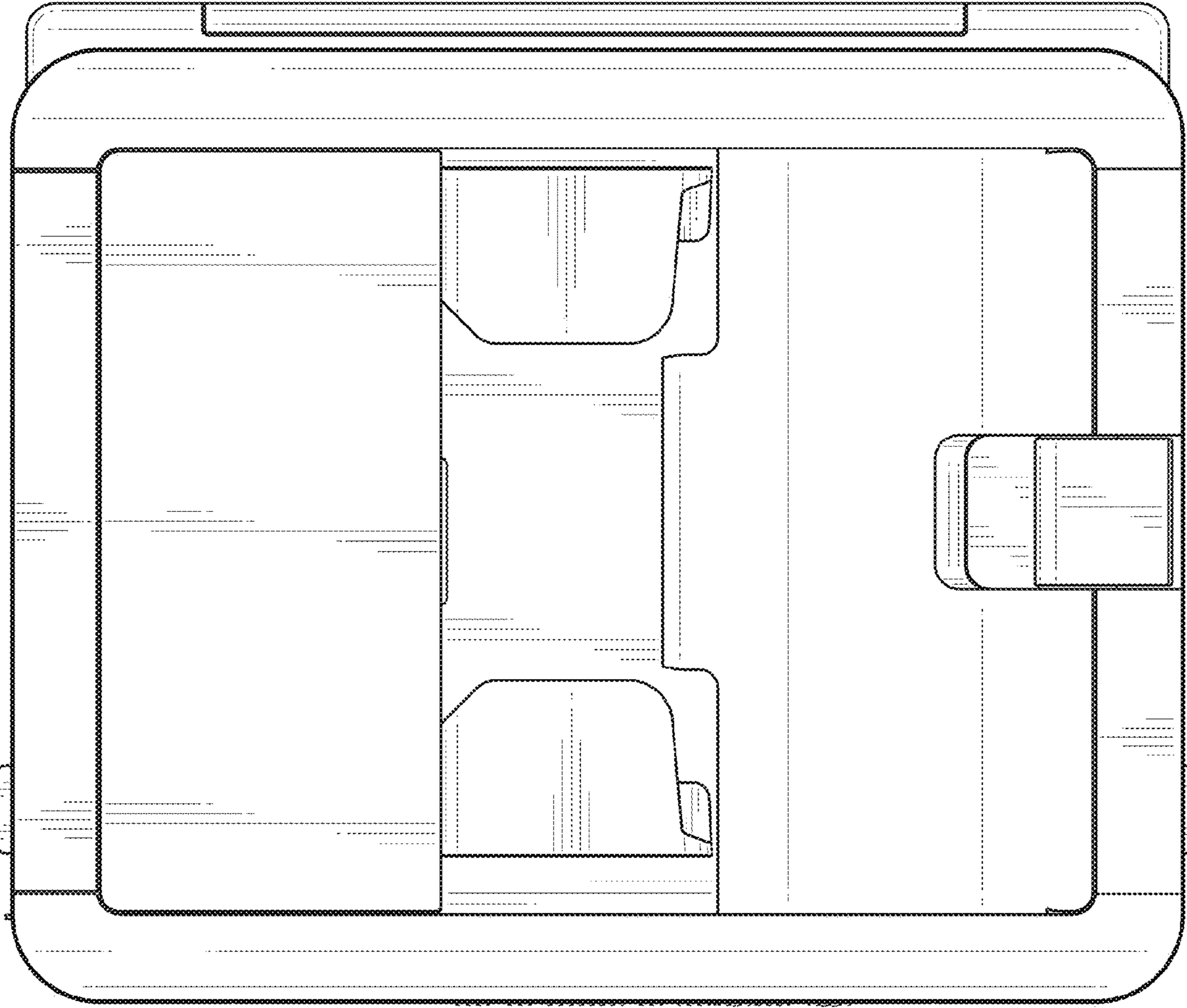


FIG. 6

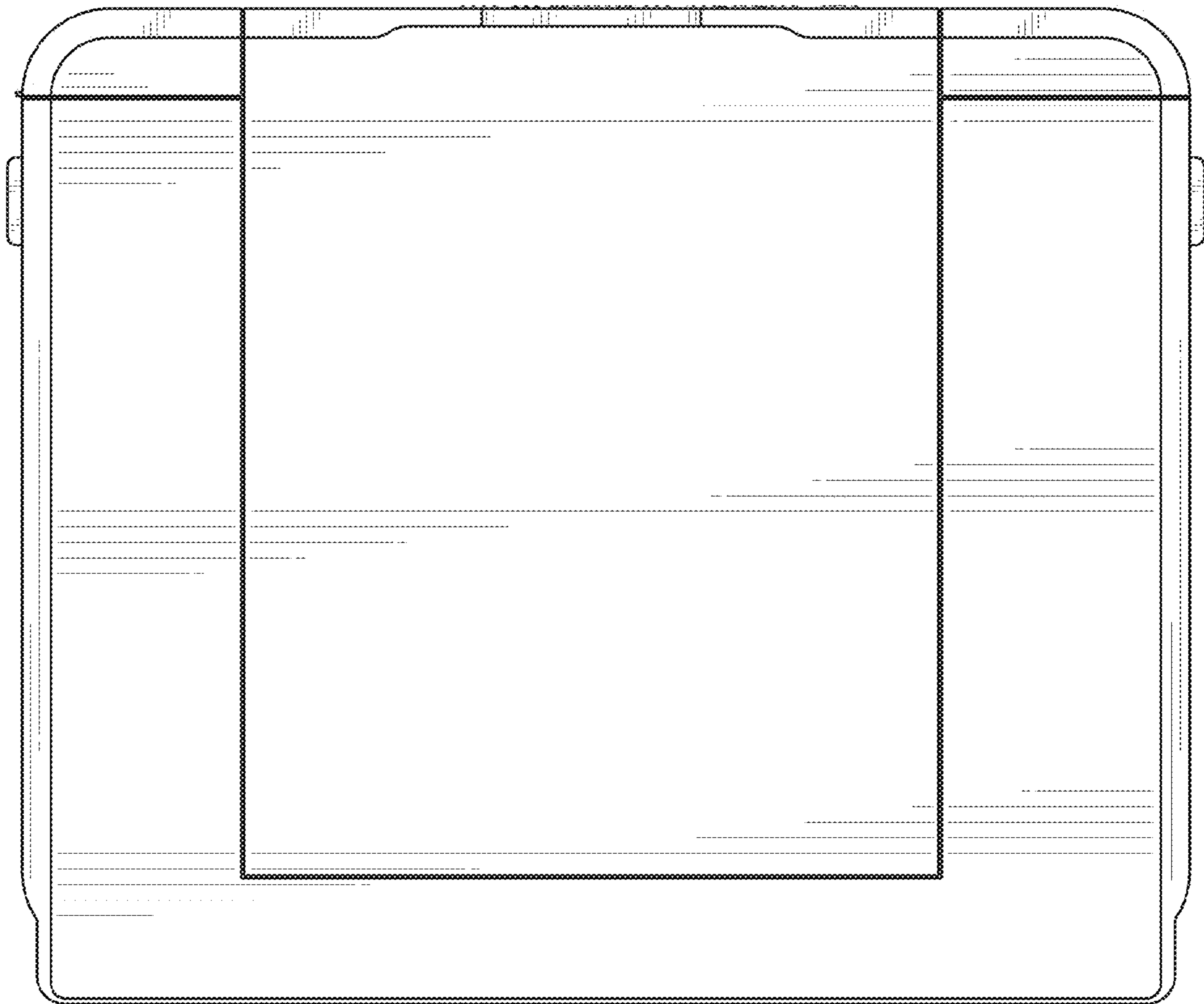


FIG. 7