



US00D971311S

(12) **United States Design Patent**
Luo

(10) **Patent No.:** **US D971,311 S**
(45) **Date of Patent:** **** Nov. 29, 2022**

- (54) **ELECTRONIC DRUM SET**
- (71) Applicant: **ZHAOQING TIANZE NETWORK TECHNOLOGY CO., LTD.**, Zhaoqing (CN)
- (72) Inventor: **Huiping Luo**, Zhaoqing (CN)
- (73) Assignee: **ZHAOQING TIANZE NETWORK TECHNOLOGY CO., LTD.**, Zhaoqing (CN)
- (**) Term: **15 Years**
- (21) Appl. No.: **29/820,208**
- (22) Filed: **Dec. 20, 2021**
- (51) **LOC (13) Cl.** **17-04**
- (52) **U.S. Cl.**
USPC **D17/22**
- (58) **Field of Classification Search**
USPC D17/22, 99; D21/405
CPC G10D 13/00; G10D 13/01; G10D 13/02; G10D 13/03; G10D 13/063; G10D 13/065; G10D 13/08; G10D 13/10; G10D 13/14; G10D 13/20; G10D 99/00
See application file for complete search history.

D477,371 S *	7/2003	Niu	D17/22
D521,049 S	5/2006	Aluisi	
D569,896 S *	5/2008	Bergese	D17/22
D614,686 S *	4/2010	Bergese	D17/22
D838,310 S *	1/2019	Murray	D17/22
D962,334 S *	8/2022	Deng	D17/22

FOREIGN PATENT DOCUMENTS

CN	303969979	*	12/2016
CN	304566858	*	4/2018
CN	305735557	*	4/2020
JP	2002182643 A	*	6/2002

* cited by examiner

Primary Examiner — R. Johnson

(57) **CLAIM**

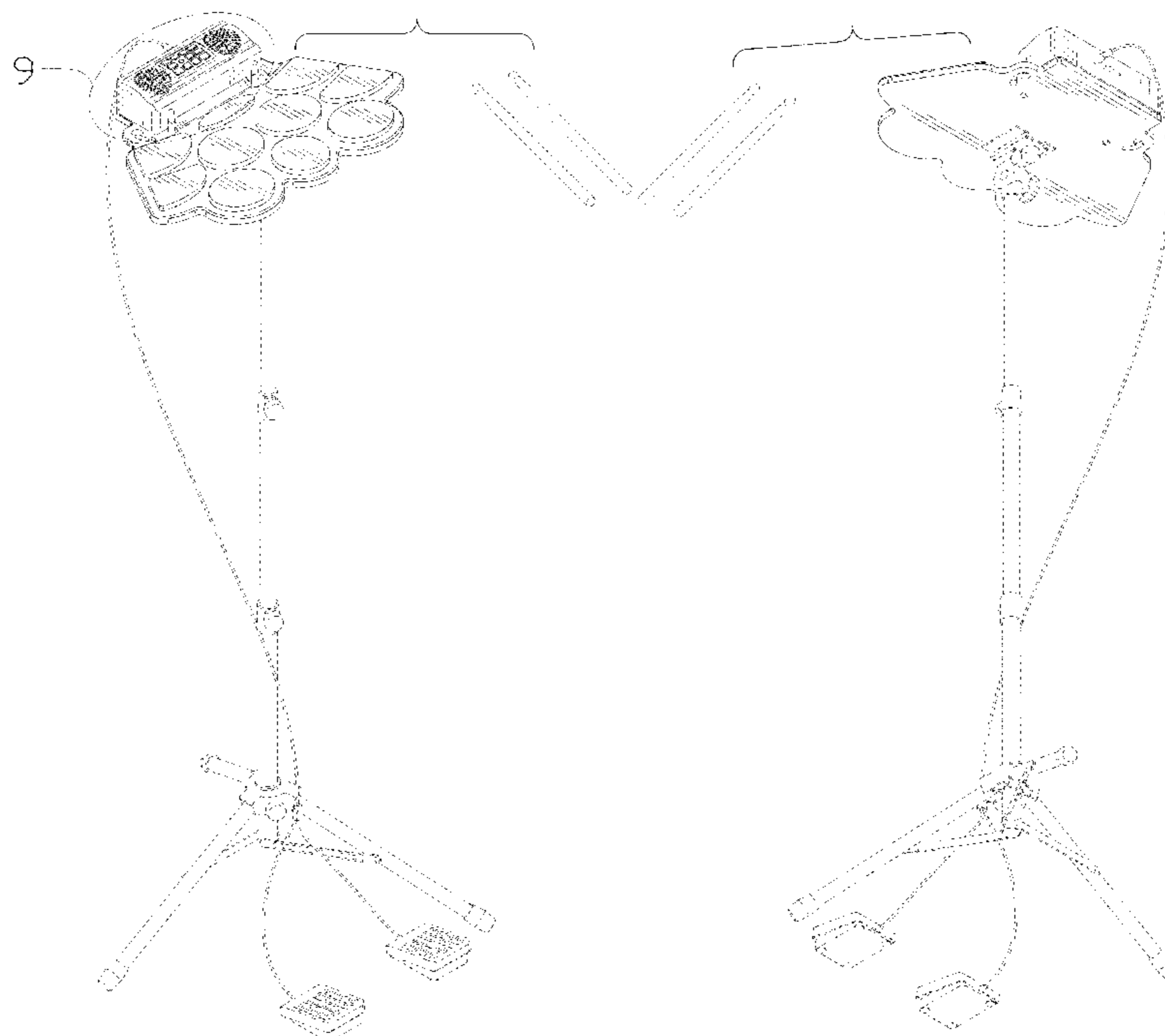
The ornamental design for an electronic drum set, as shown and described.

DESCRIPTION

FIG. 1 is a perspective view of an electronic drum set showing my new design;
 FIG. 2 is another perspective view thereof;
 FIG. 3 is a front elevational view thereof;
 FIG. 4 is a rear elevational view thereof;
 FIG. 5 is a left side elevational view thereof;
 FIG. 6 is a right side elevational view thereof;
 FIG. 7 is a top plan view thereof;
 FIG. 8 is a bottom plan view thereof; and,
 FIG. 9 is an enlarged view of portion 9 shown in FIG. 1.
 The dash-dash broken lines in the drawings depict portions of the electronic drum set that form no part of the claimed design. The dot-dash broken lines represent the boundary of the enlarged portion and form no part of the claimed design.

1 Claim, 9 Drawing Sheets

- (56) **References Cited**
U.S. PATENT DOCUMENTS
- | | | | |
|--------------|---------|---------------|---------|
| D328,915 S * | 8/1992 | Sato | D17/22 |
| D357,271 S * | 4/1995 | Hoshina | D17/22 |
| D387,374 S * | 12/1997 | Kawada | D17/22 |
| D401,612 S * | 11/1998 | Takei | D17/22 |
| D412,540 S * | 8/1999 | Chen | D21/405 |
| D472,587 S * | 4/2003 | Chan | D21/405 |



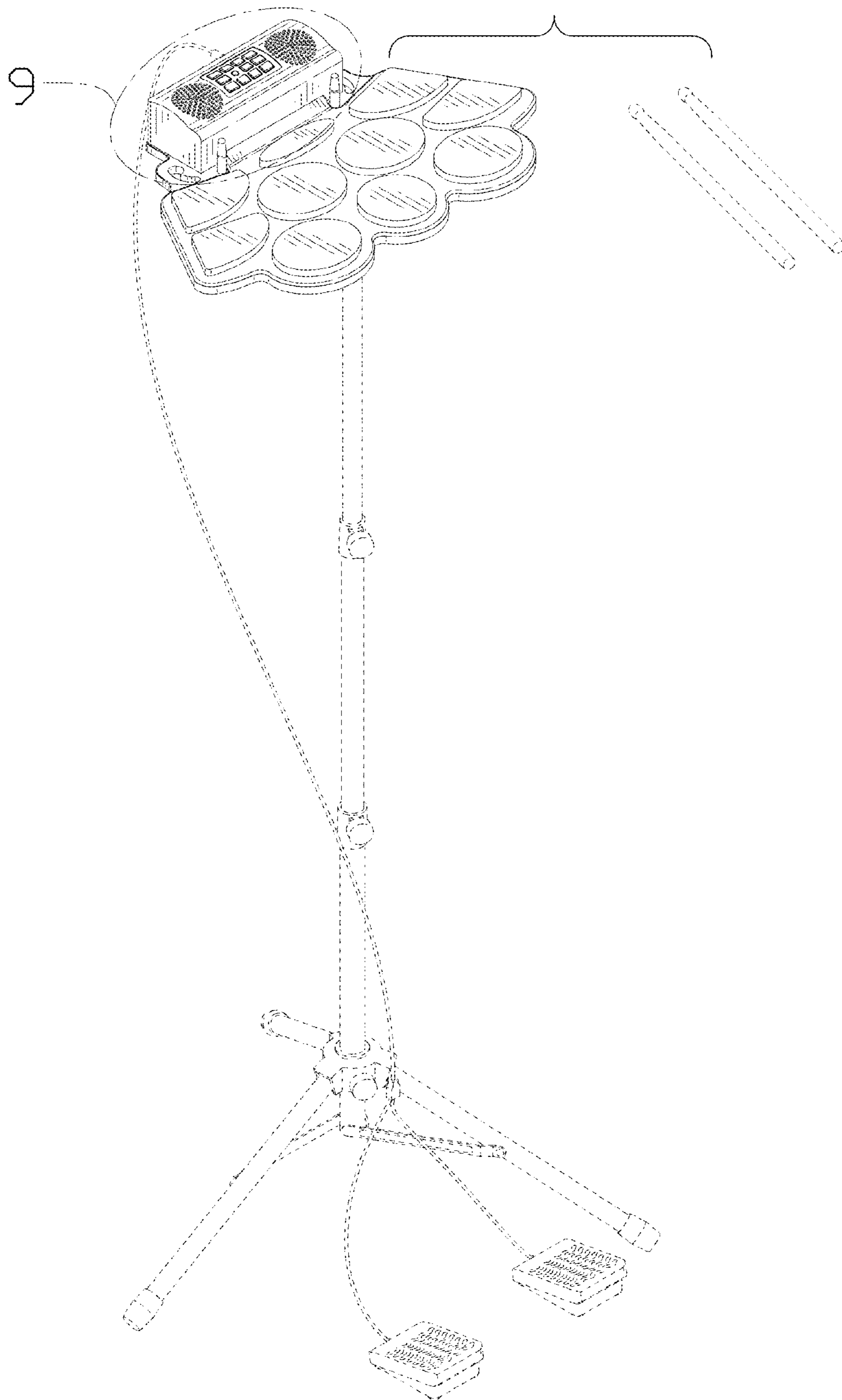


FIG. 1

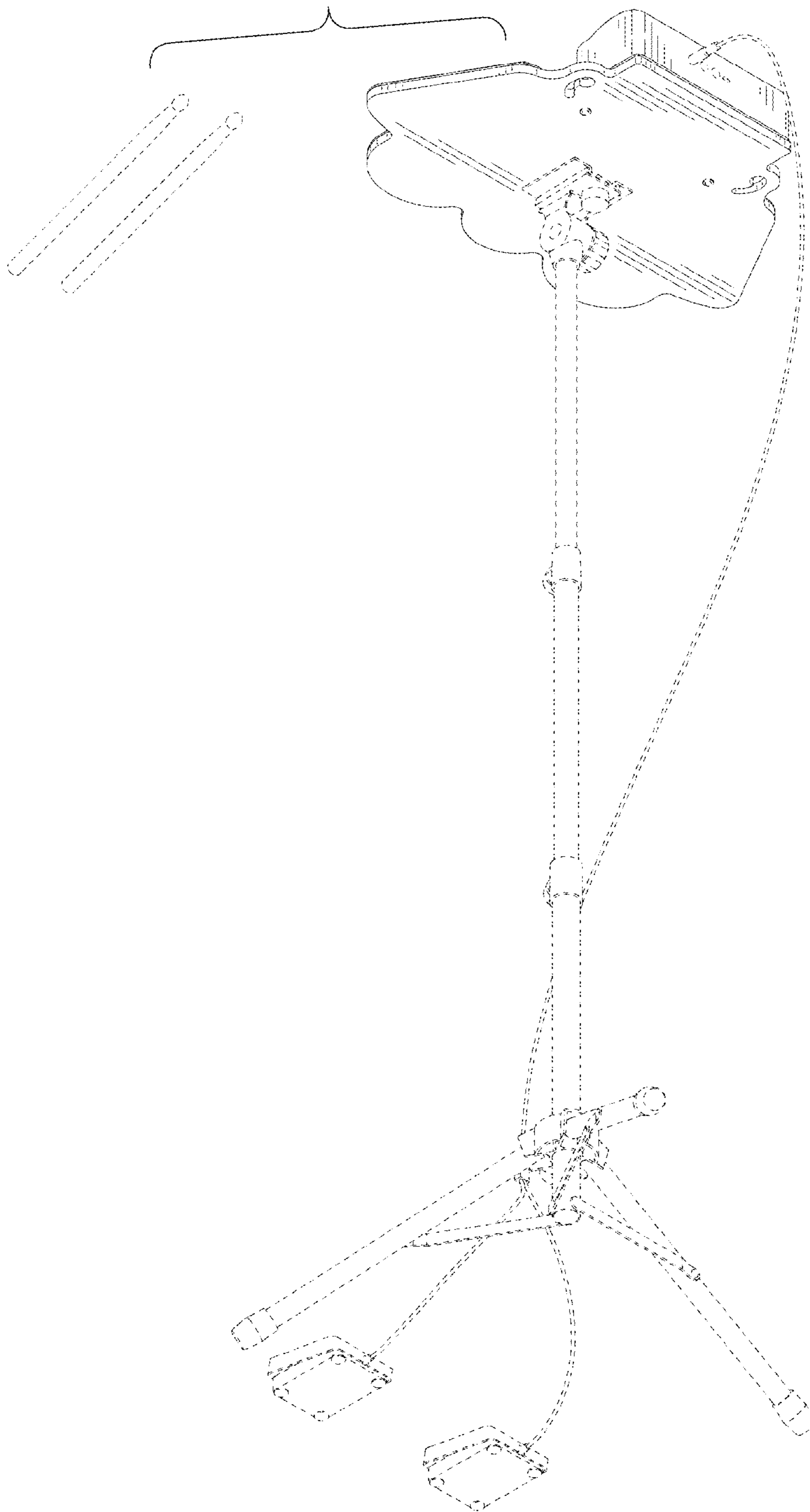


FIG. 2

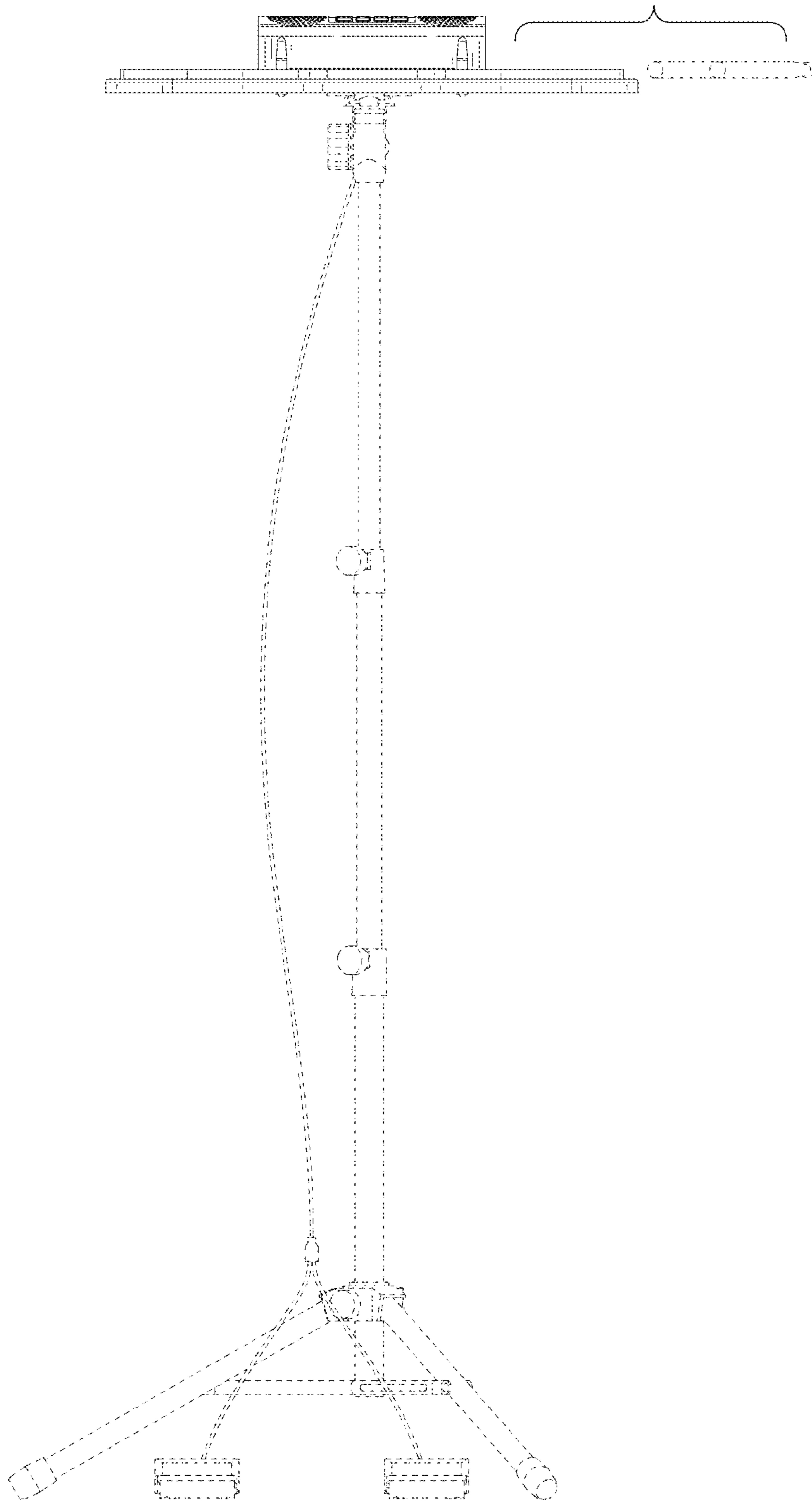


FIG. 3

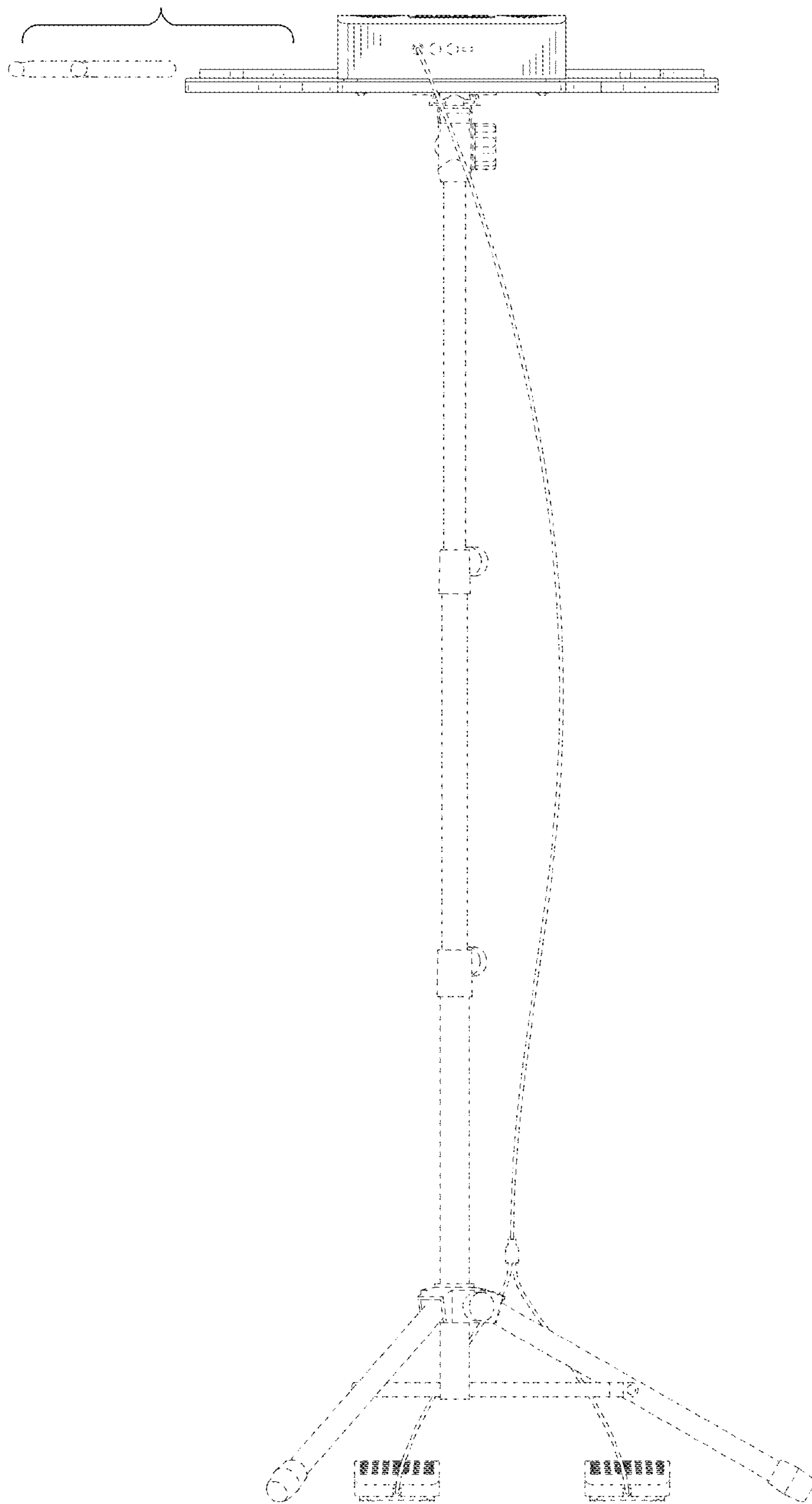


FIG. 4

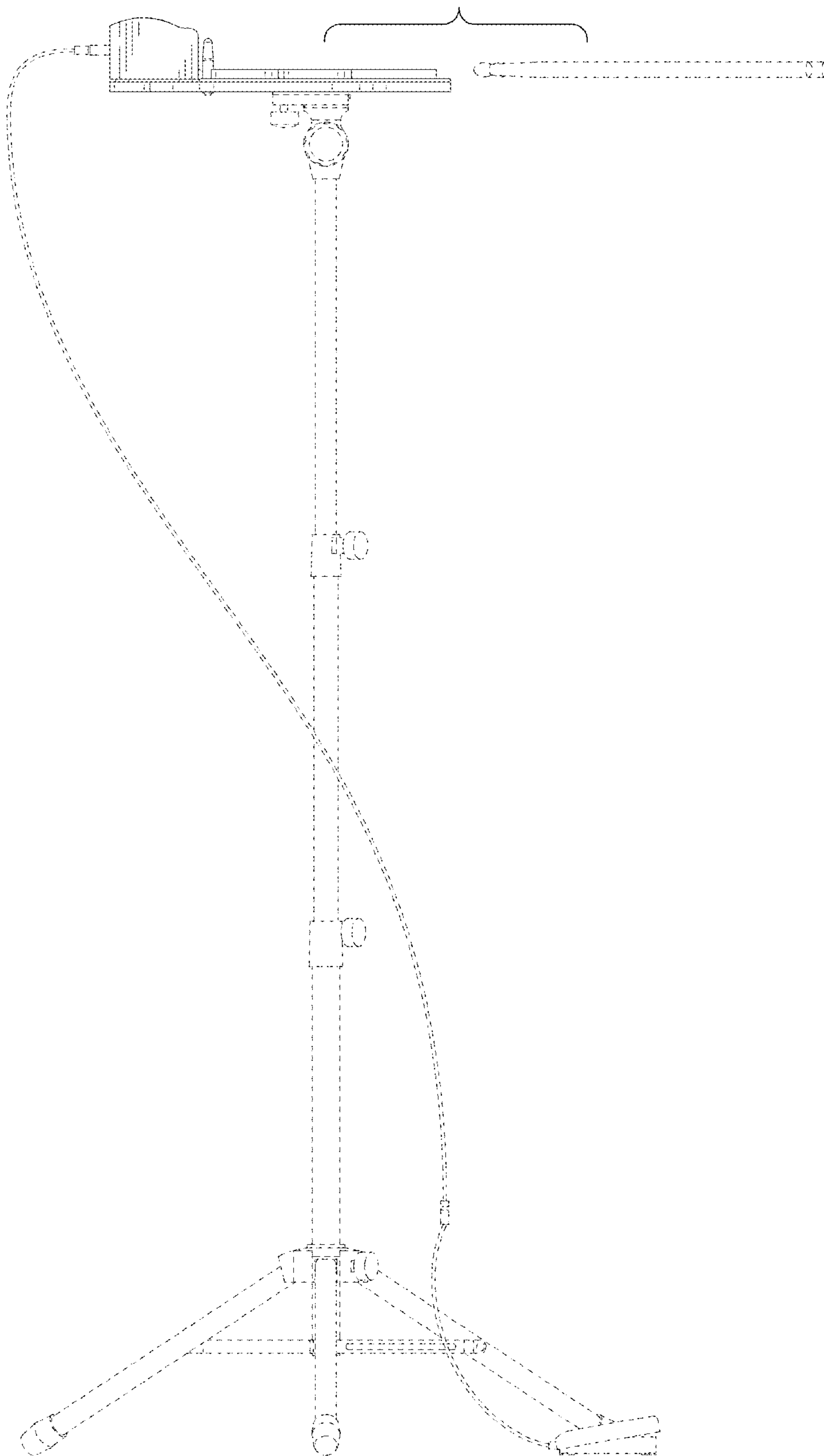


FIG. 5

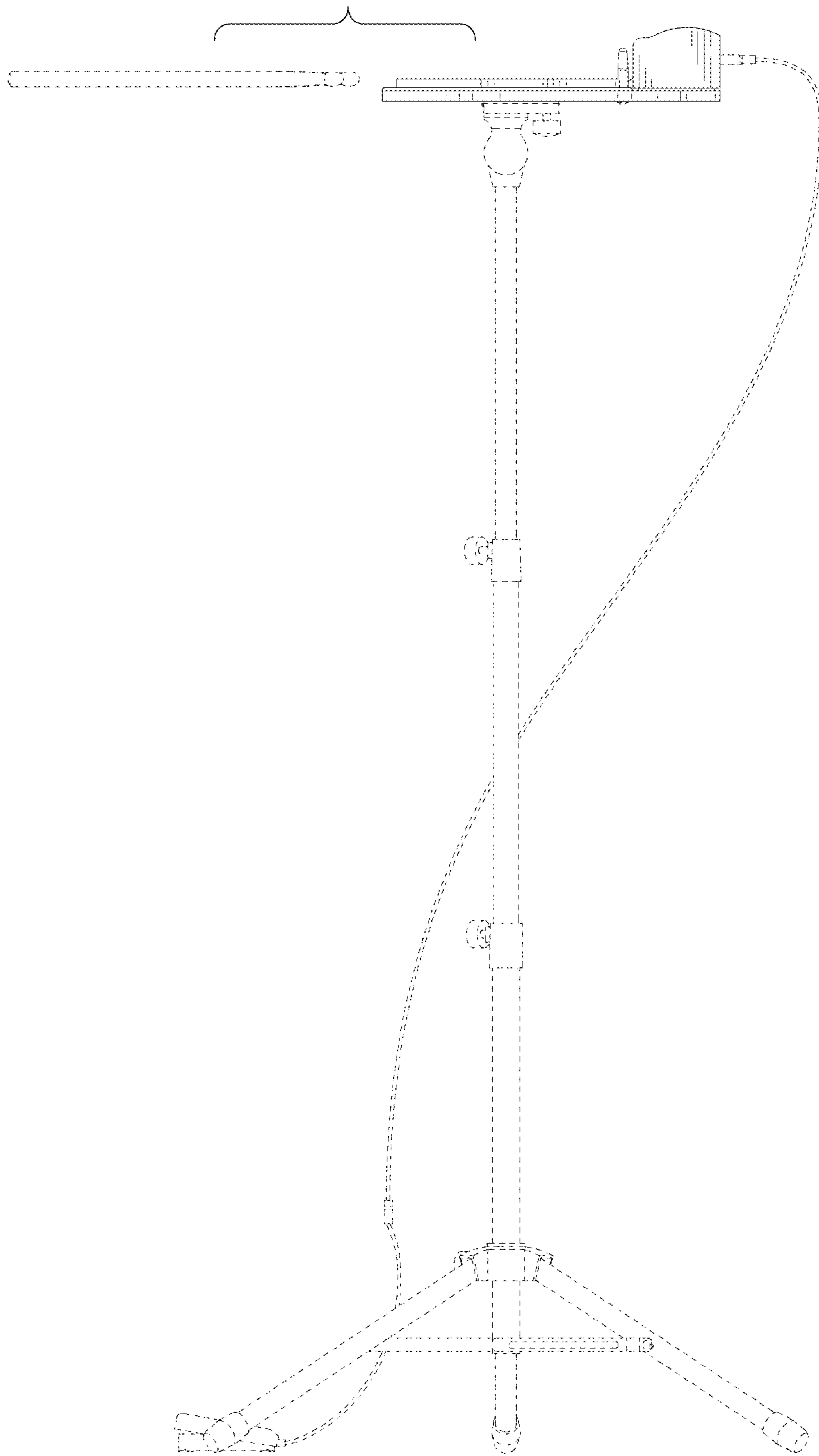


FIG. 6

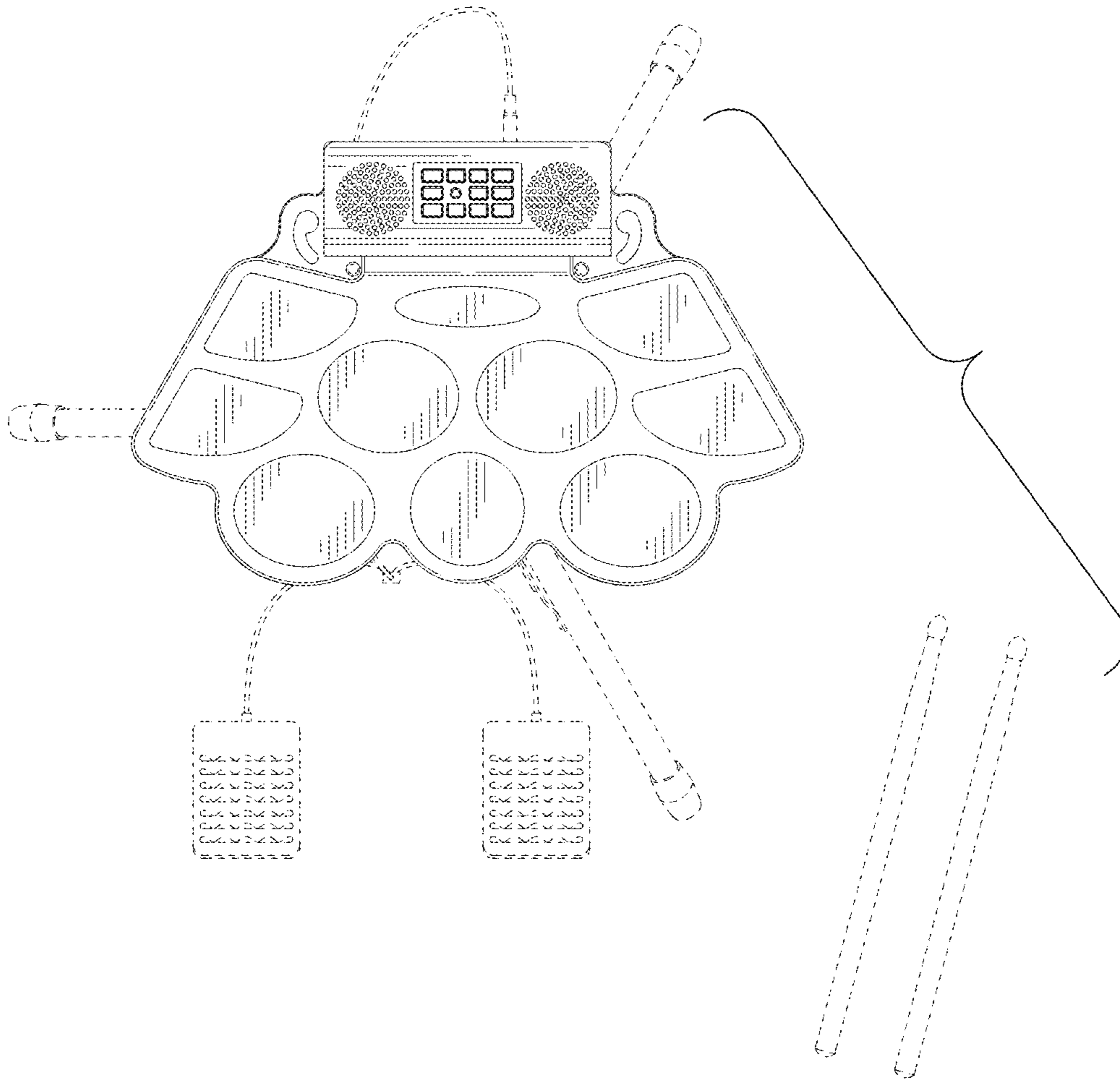


FIG. 7

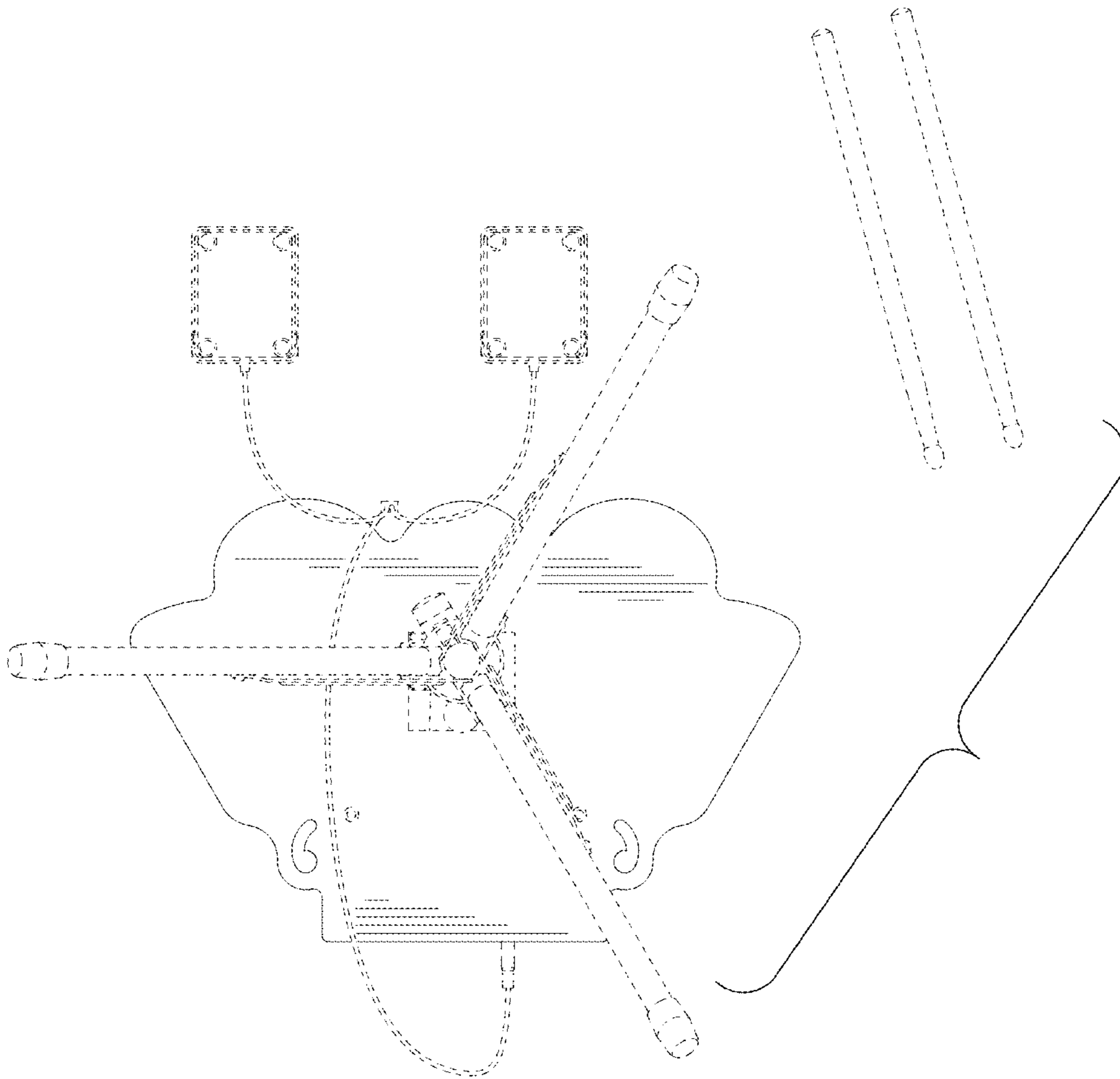


FIG. 8

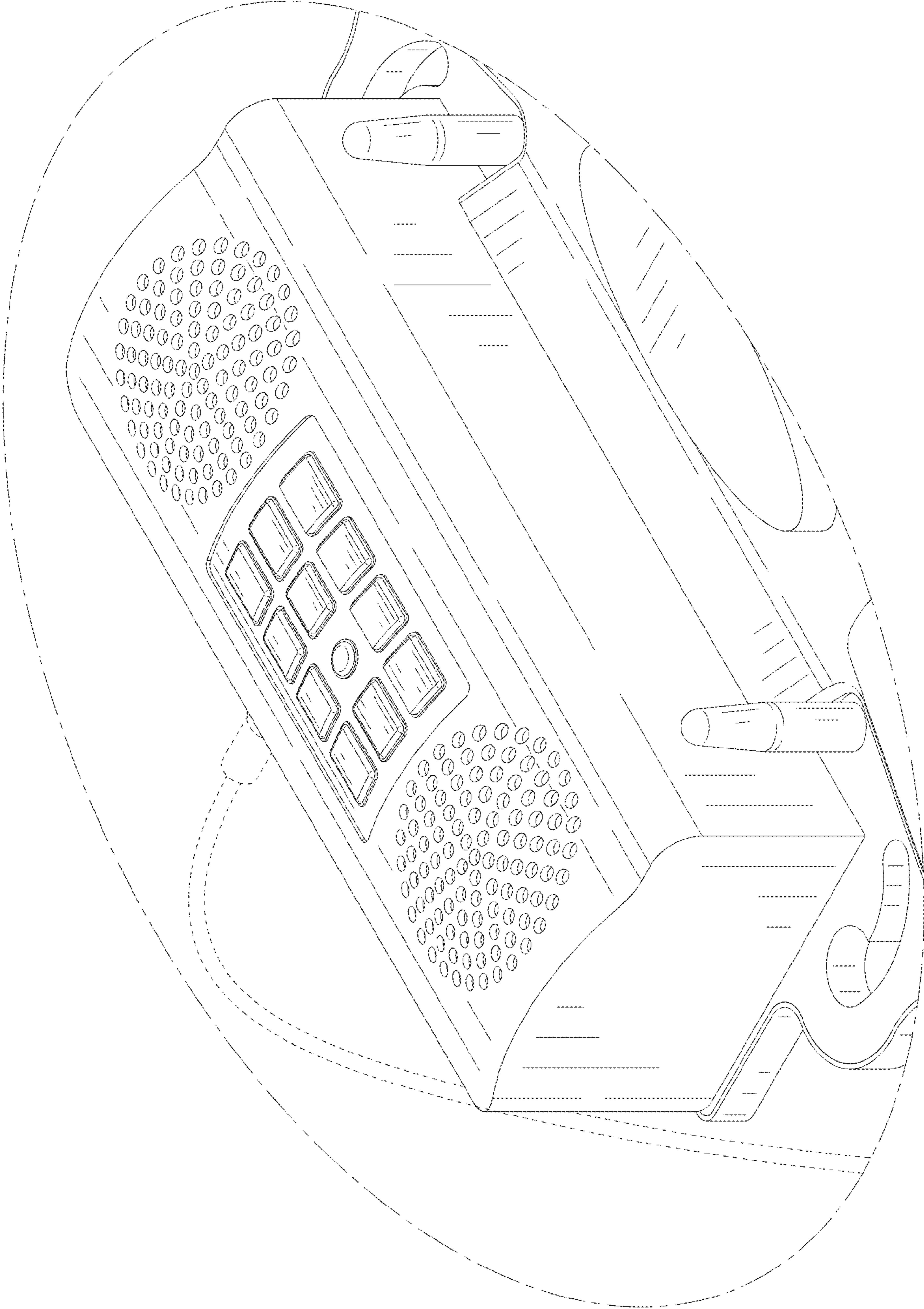


FIG. 9