



US00D971307S

(12) **United States Design Patent**
Gong

(10) **Patent No.:** **US D971,307 S**

(45) **Date of Patent:** **** Nov. 29, 2022**

(54) **GLASSES**

D856,402 S * 8/2019 Miera D16/300
D865,857 S 11/2019 Jiang
D930,065 S 9/2021 Yang

(71) Applicant: **XIAMEN XUTU OPTICAL
GLASSES CO., LTD.**, Xiamen (CN)

(72) Inventor: **Jiqiang Gong**, Xiamen (CN)

(73) Assignee: **XIAMEN XUTU OPTICAL
GLASSES CO., LTD.**, Xiamen (CN)

(**) Term: **15 Years**

(21) Appl. No.: **29/815,954**

(22) Filed: **Nov. 17, 2021**

(51) **LOC (13) Cl.** **16-06**

(52) **U.S. Cl.**
USPC **D16/325**

(58) **Field of Classification Search**
USPC D16/300, 303, 311–315, 320, 325–327,
D16/329
CPC G02C 5/008; G02C 5/08; G02C 7/10
See application file for complete search history.

(56) **References Cited**

U.S. PATENT DOCUMENTS

D561,813 S * 2/2008 Baden D16/325
D650,825 S * 12/2011 Yee D16/325
D652,442 S * 1/2012 Yee D16/326
D797,180 S * 9/2017 Uhm D16/300

OTHER PUBLICATIONS

Kapvoe Polarized Sports Sunglasses, posted at amazon.com, posting date Feb. 21, 2022, [online], [site visited Oct. 5, 2022]. Available from Internet, URL: <https://www.amazon.com/KAPVOE-Sunglasses-Polarized-Glasses-Running/dp/B09SZ6R927?th=1> (Year: 2022).*

* cited by examiner

Primary Examiner — Maria J. Edwards

(74) *Attorney, Agent, or Firm* — Georgi Korobanov

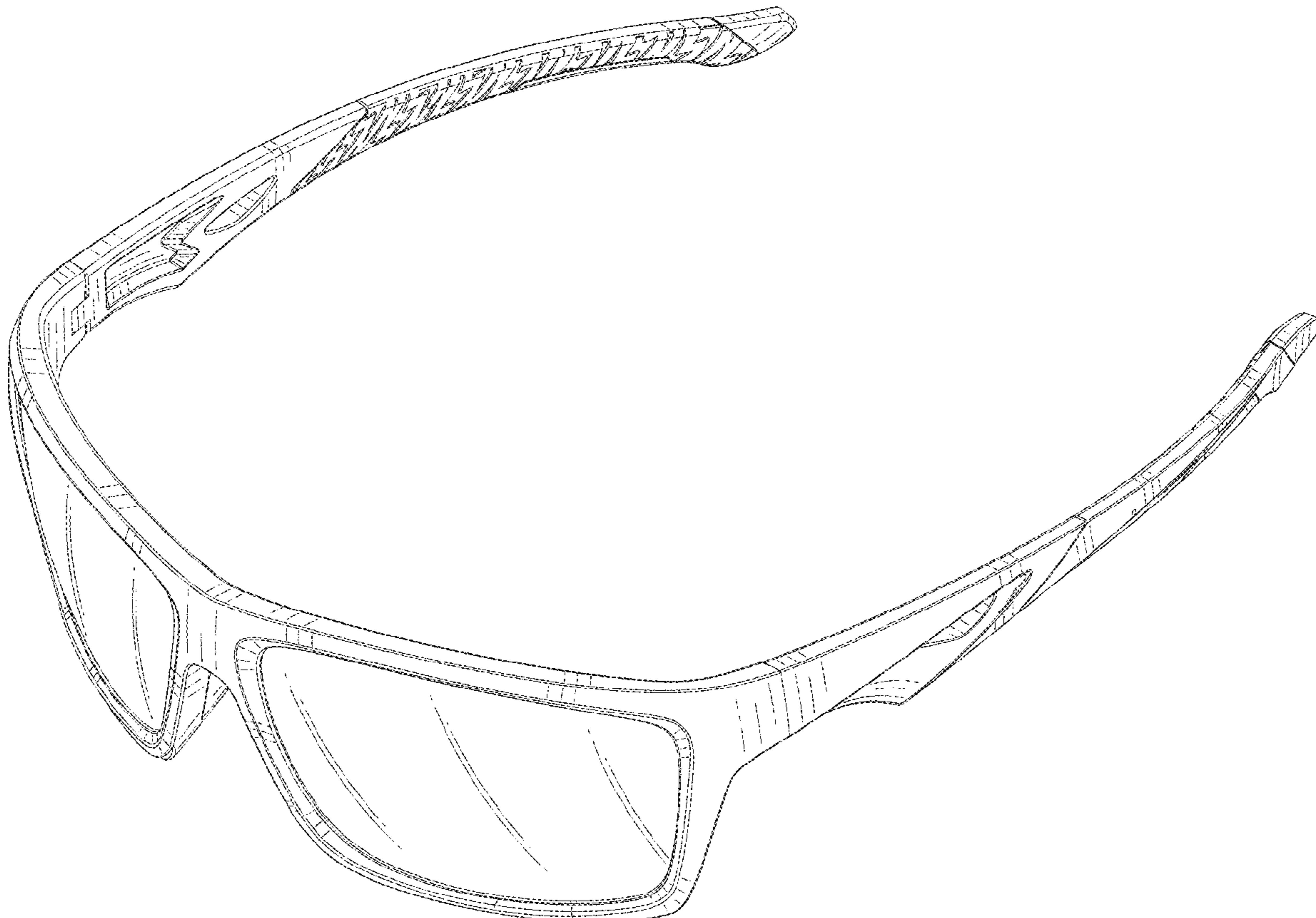
(57) **CLAIM**

The ornamental design for glasses, as shown and described.

DESCRIPTION

FIG. 1 is a perspective view of glasses, showing my new design;
FIG. 2 is another perspective view thereof;
FIG. 3 is a front view thereof;
FIG. 4 is a rear view thereof;
FIG. 5 is a left side view thereof;
FIG. 6 is a right side view thereof;
FIG. 7 is a top plan view thereof; and,
FIG. 8 is a bottom plan view thereof.

1 Claim, 8 Drawing Sheets



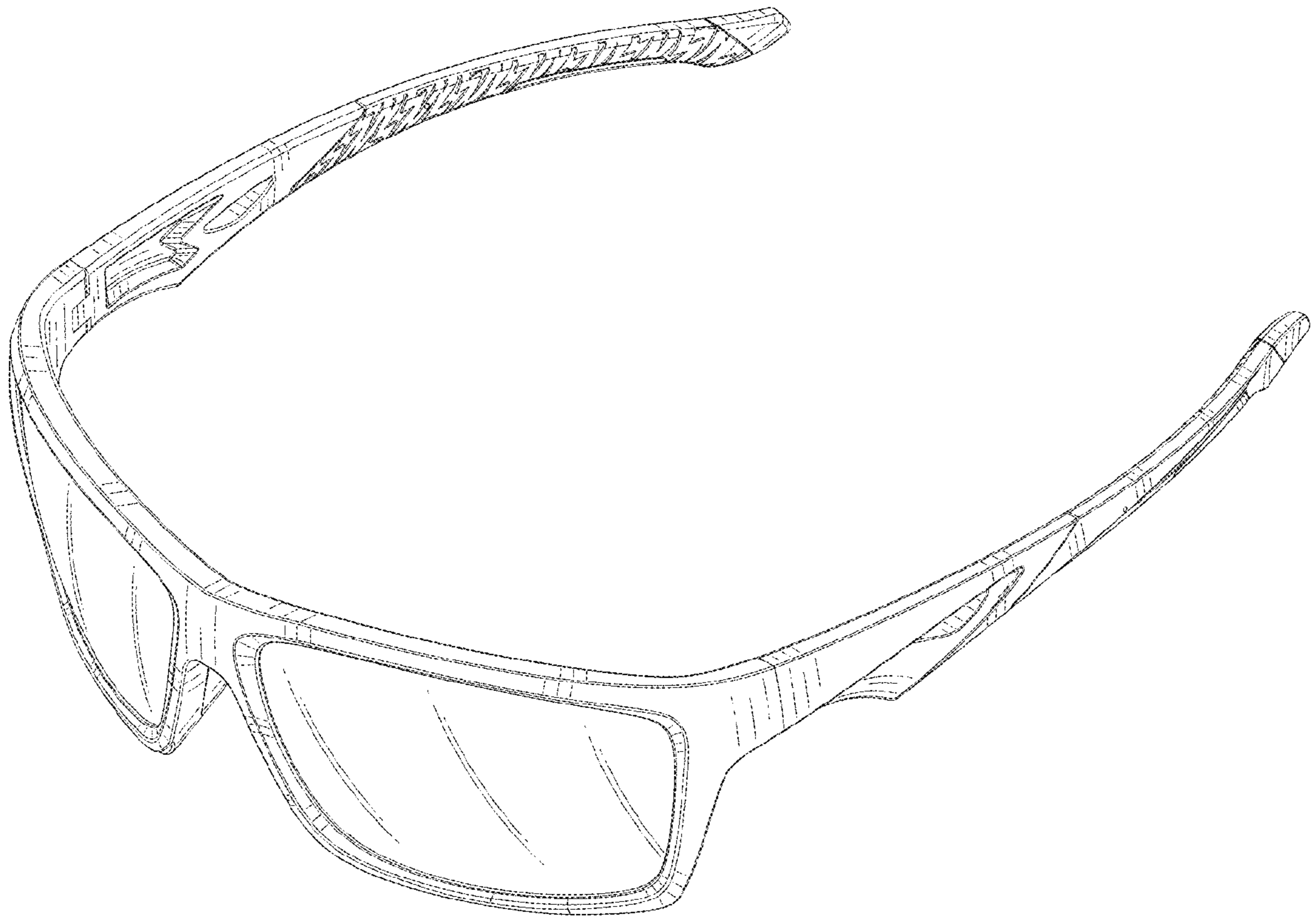


FIG. 1

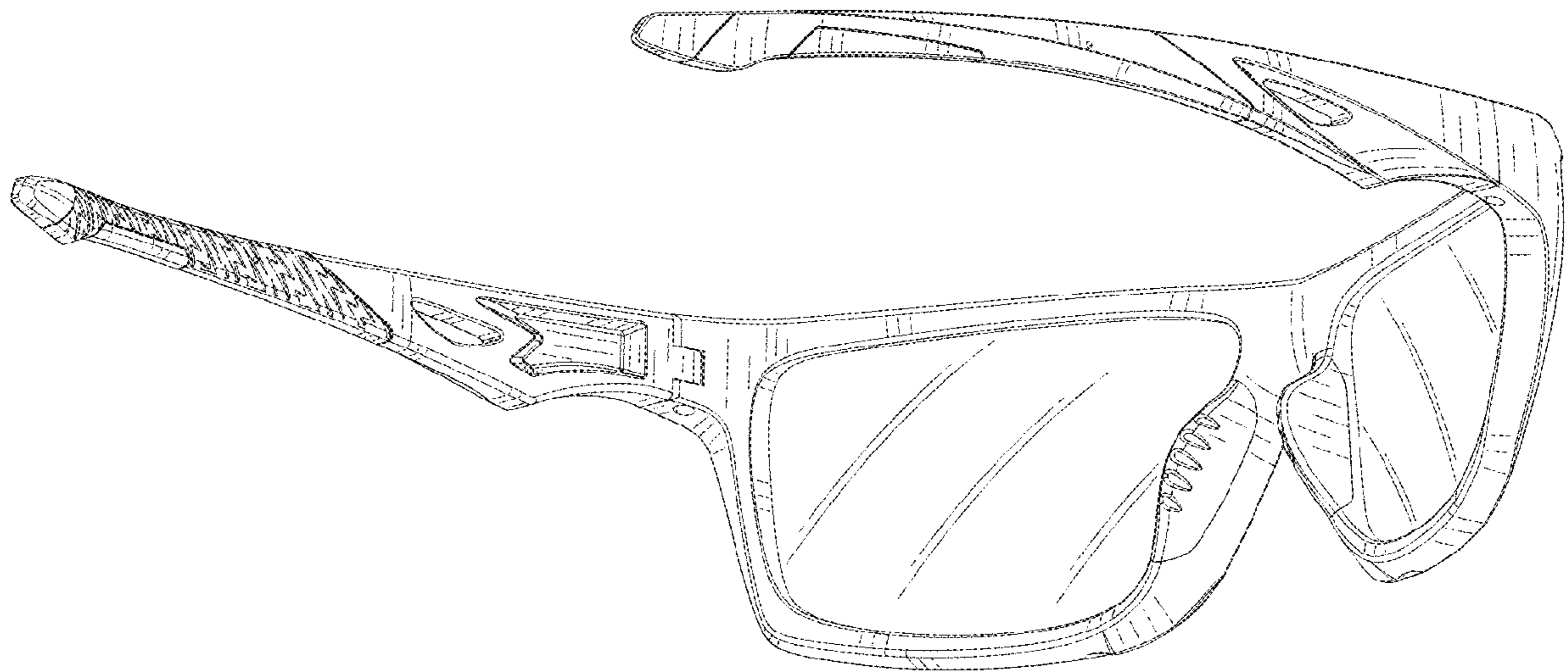


FIG. 2

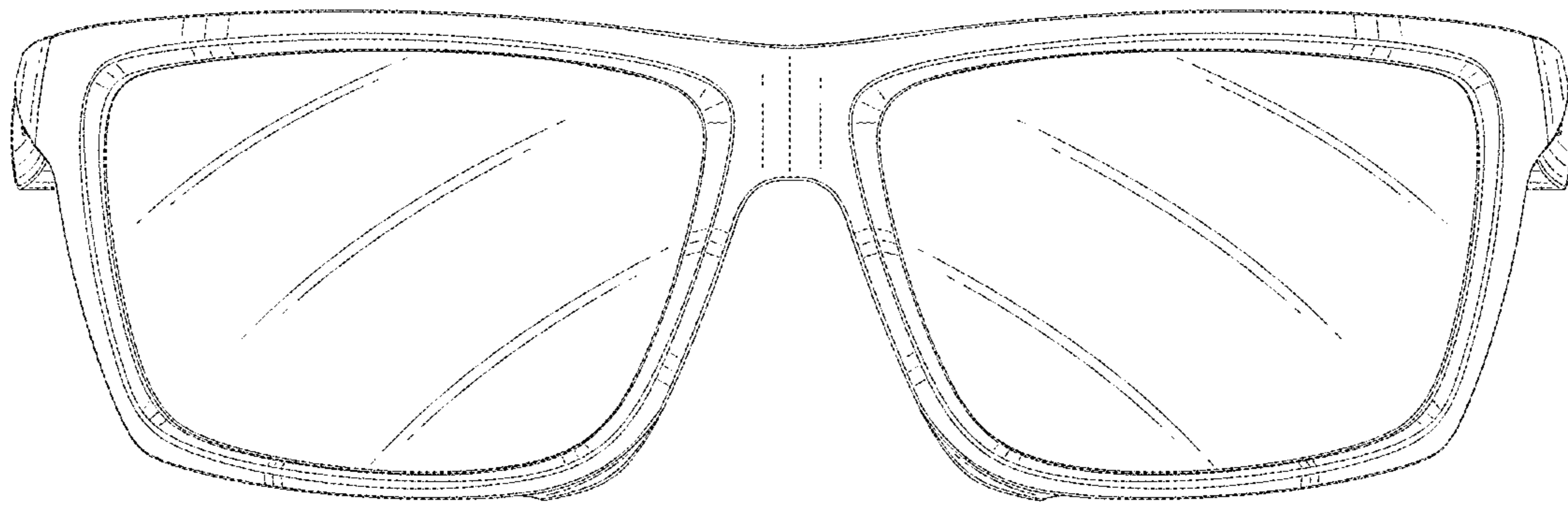


FIG. 3

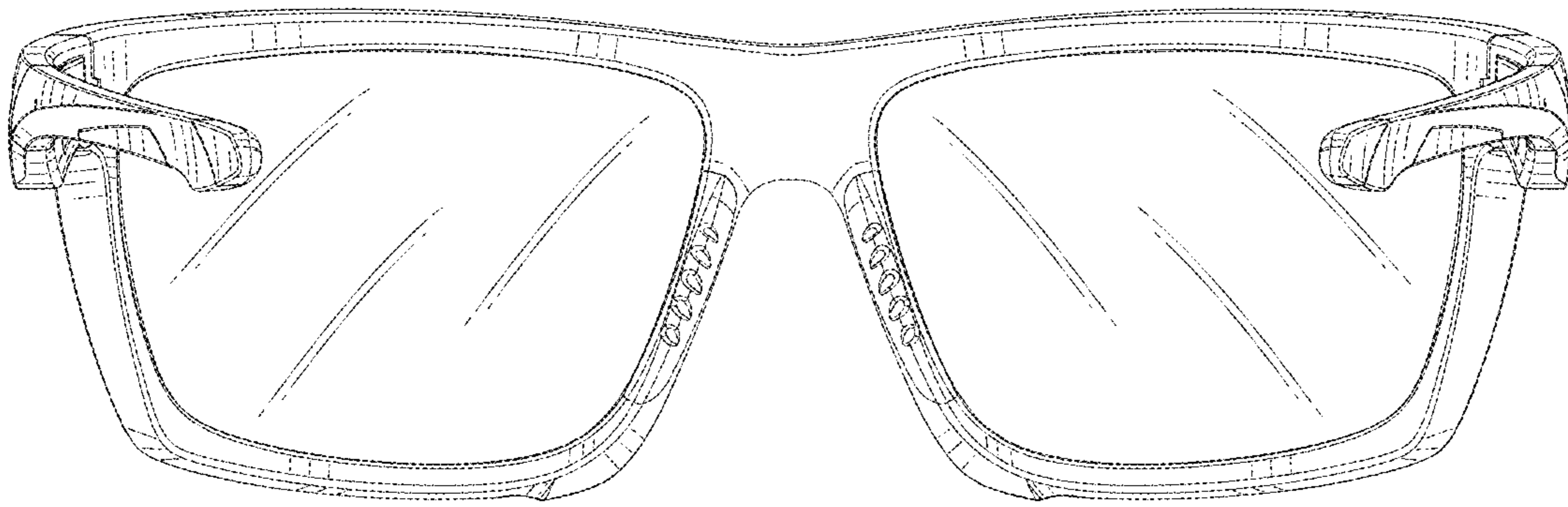


FIG. 4

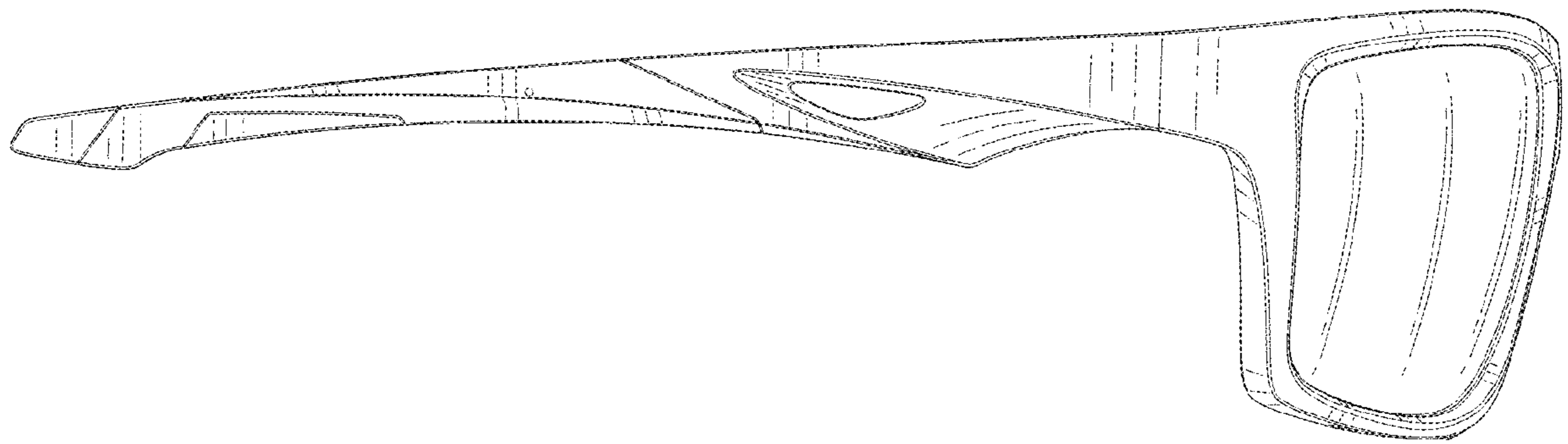


FIG. 5

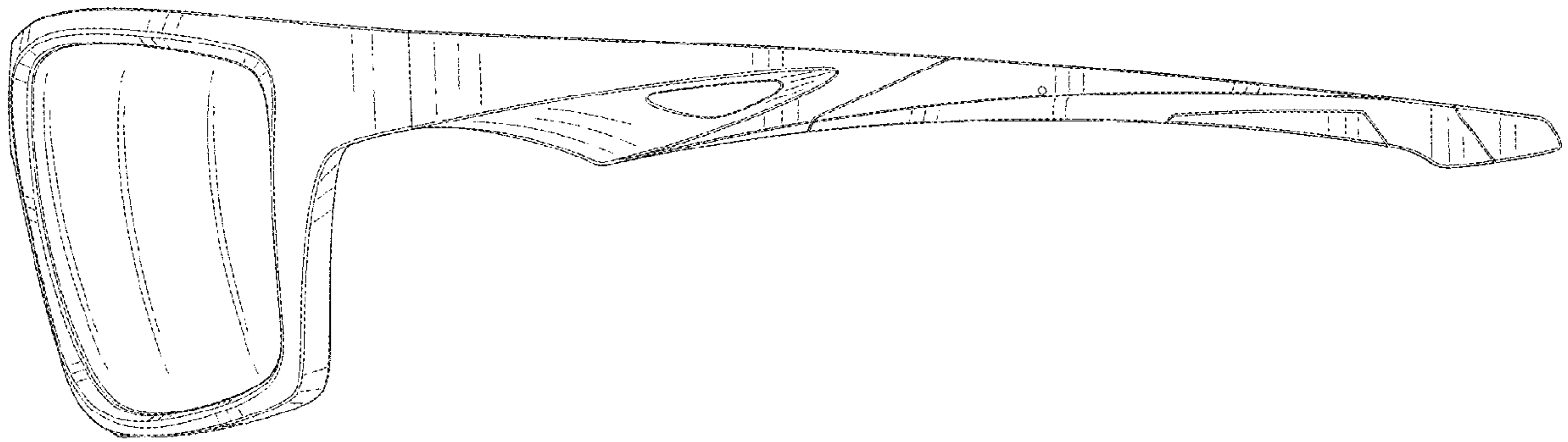


FIG. 6

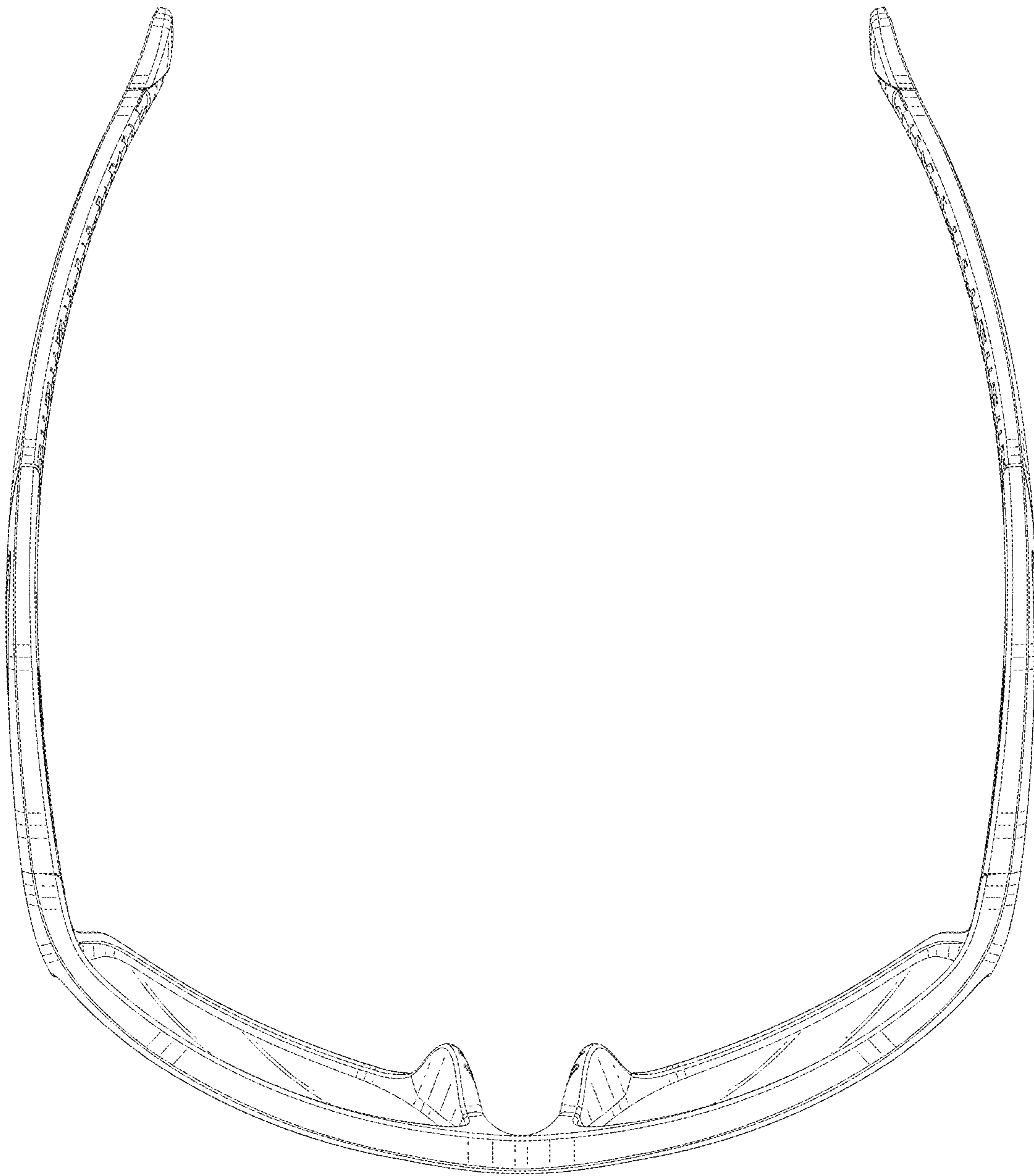


FIG. 7

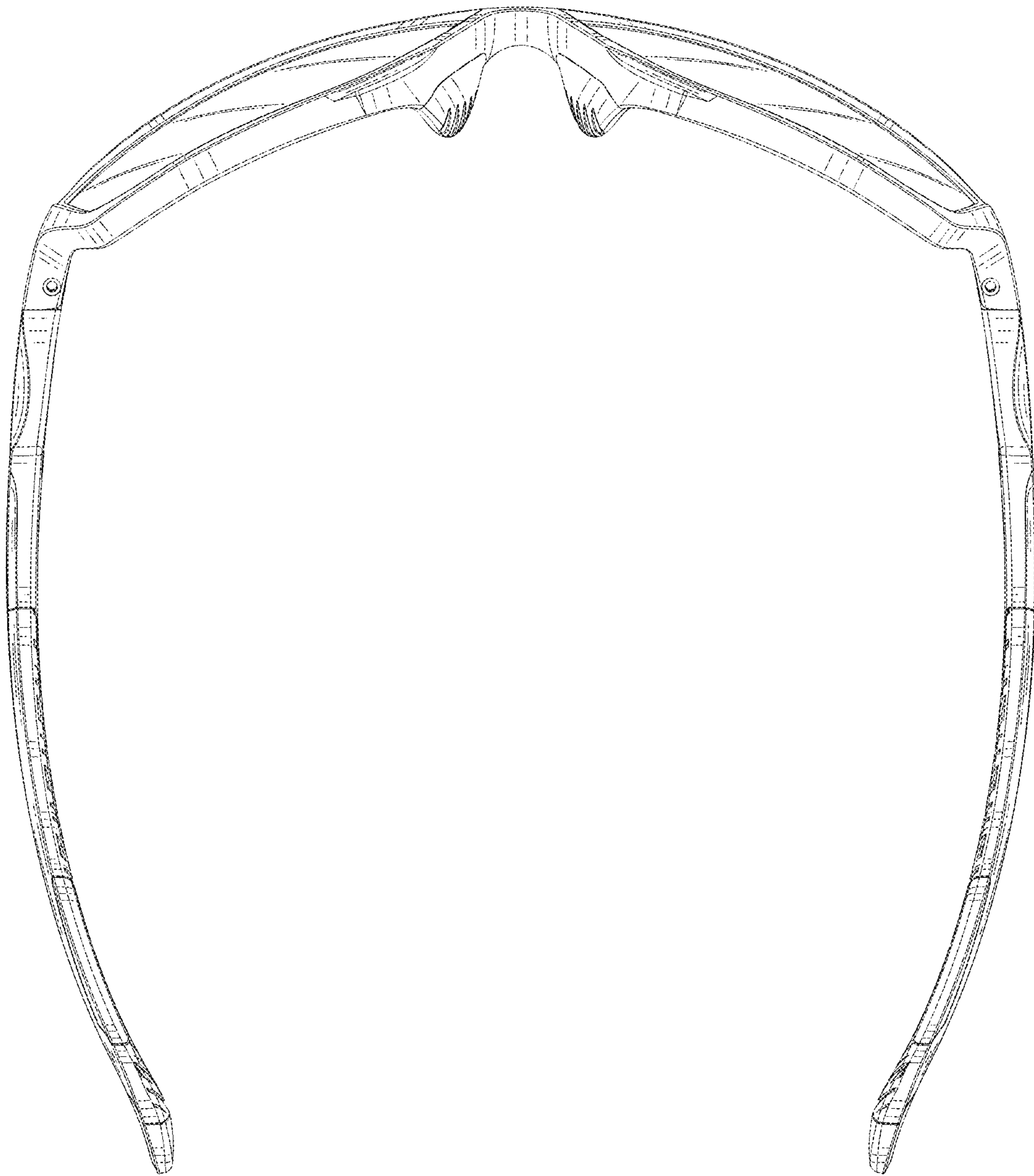


FIG. 8