



US00D971305S

(12) **United States Design Patent**
Deng

(10) **Patent No.:** **US D971,305 S**

(45) **Date of Patent:** **** Nov. 29, 2022**

(54) **STABILIZER**

(71) Applicant: **Shenzhen Jiayz Photo Industrial, Ltd, Shenzhen (CN)**

(72) Inventor: **Gang Deng, Shenzhen (CN)**

(**) Term: **15 Years**

(21) Appl. No.: **29/777,361**

(22) Filed: **Apr. 6, 2021**

(51) **LOC (13) Cl.** **16-05**

(52) **U.S. Cl.**
USPC **D16/243; D16/244**

(58) **Field of Classification Search**
USPC D16/203, 214, 237, 239-245, 250;
D14/251, 253
CPC F16M 11/08; F16M 11/12; G03B 17/561;
G03B 17/563
See application file for complete search history.

(56) **References Cited**

U.S. PATENT DOCUMENTS

D532,436 S *	11/2006	Kruse	D16/244
D718,365 S *	11/2014	Kim	D16/244
D822,092 S *	7/2018	Bergman	F16M 11/041
				D16/244
D835,705 S *	12/2018	Chun	D16/244
D836,156 S *	12/2018	Moon	D16/244
D900,200 S *	10/2020	Shan	D16/237
D900,918 S *	11/2020	Zeng	D16/244
D909,455 S *	2/2021	Shan	D16/244
D956,855 S *	7/2022	Deng	D16/243
2005/0128347 A1 *	6/2005	Ryu	H04N 5/23203
				348/375
2019/0258142 A1 *	8/2019	Liu	F16M 11/10
2020/0371410 A1 *	11/2020	Shan	F16M 13/00

2021/0062963 A1 *	3/2021	Nam	F16M 11/10
2021/0080812 A1 *	3/2021	Li	F16M 13/04
2021/0294186 A1 *	9/2021	Zou	F16M 11/242
2021/0348711 A1 *	11/2021	Kuriyama	G03B 17/561

OTHER PUBLICATIONS

“BOYA BY-X1D,” date not available, retrieved on Aug. 15, 2022 from https://www.alibaba.com/product-detail/BOYA-BY-X1D-smartphone-gimbal-Smart_1600464672346.html (Year: 2022).*

* cited by examiner

Primary Examiner — Maria J. Edwards
Assistant Examiner — Dina Michelle Hoeynck

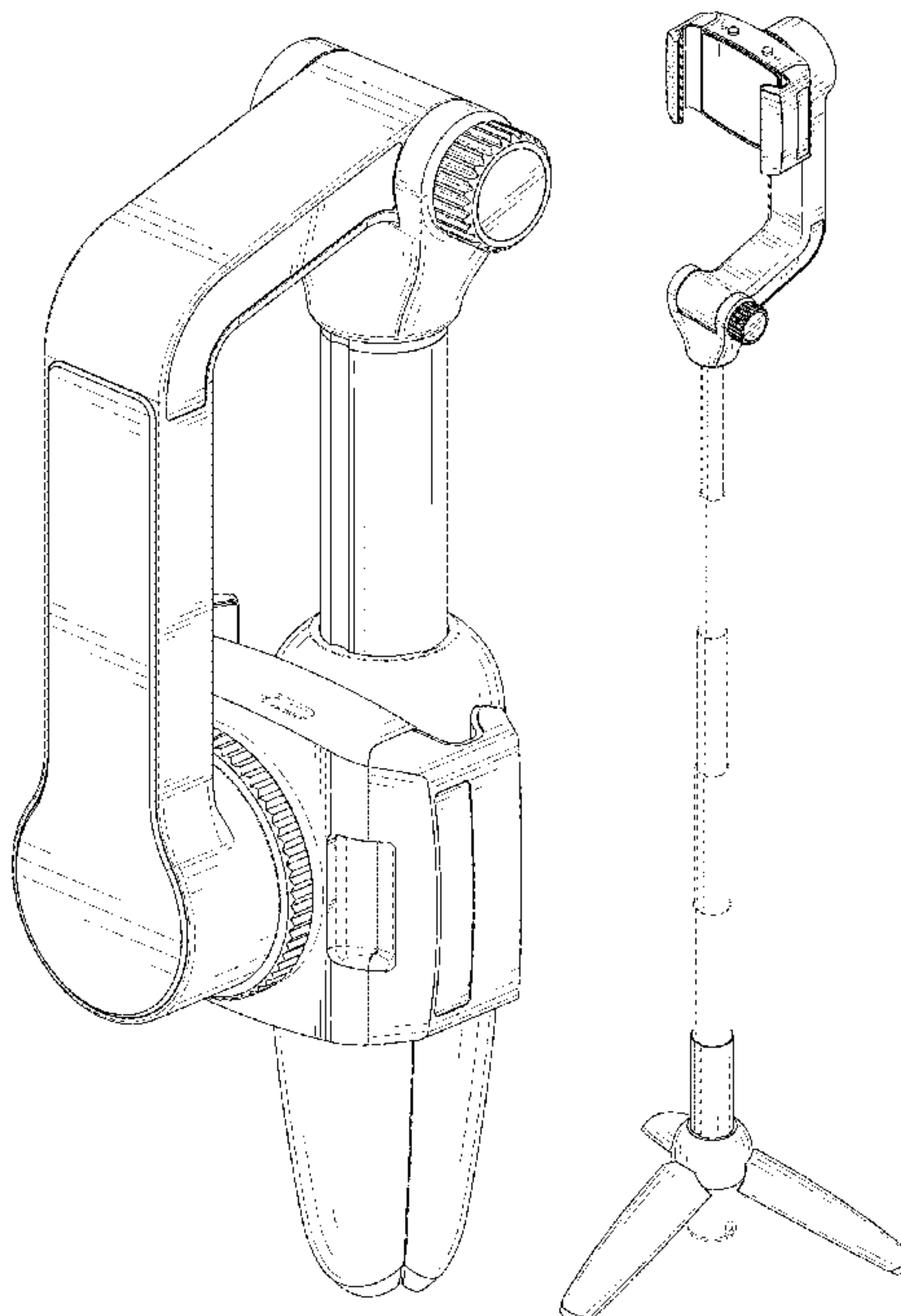
(57) **CLAIM**

The ornamental design for a stabilizer, as shown and described.

DESCRIPTION

FIG. 1 is a front and top perspective view of a stabilizer, showing my new design;
FIG. 2 is a rear and bottom perspective view thereof;
FIG. 3 is a front elevation view thereof;
FIG. 4 is a rear elevation view thereof;
FIG. 5 is a left side elevation view thereof;
FIG. 6 is a right side elevation view thereof;
FIG. 7 is a top plan view thereof;
FIG. 8 is a bottom plan view thereof;
FIG. 9 is another perspective view thereof, shown in an alternative position; and,
FIG. 10 is another perspective view thereof, shown in an alternative position.
The broken lines in the figures illustrate portions of the stabilizer that form no part of the claimed design.

1 Claim, 10 Drawing Sheets



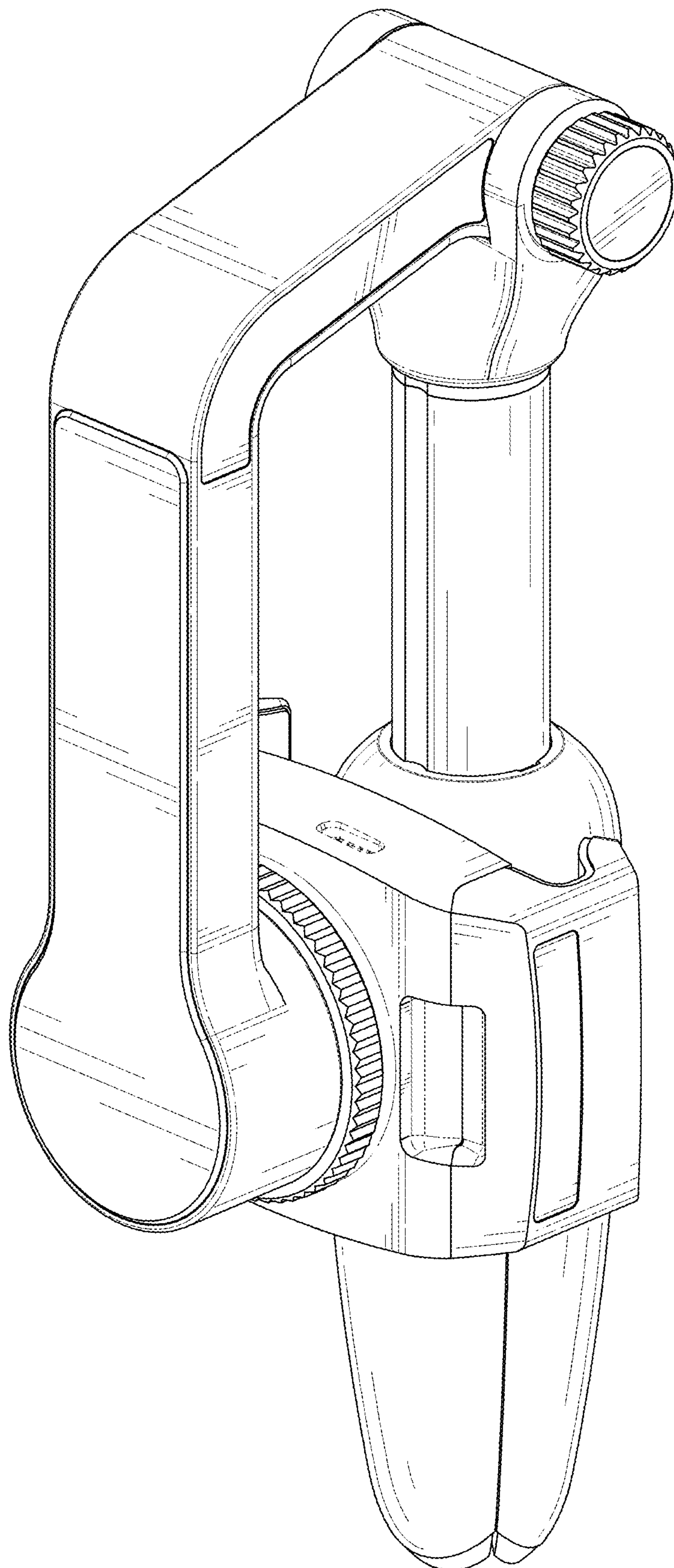


FIG. 1

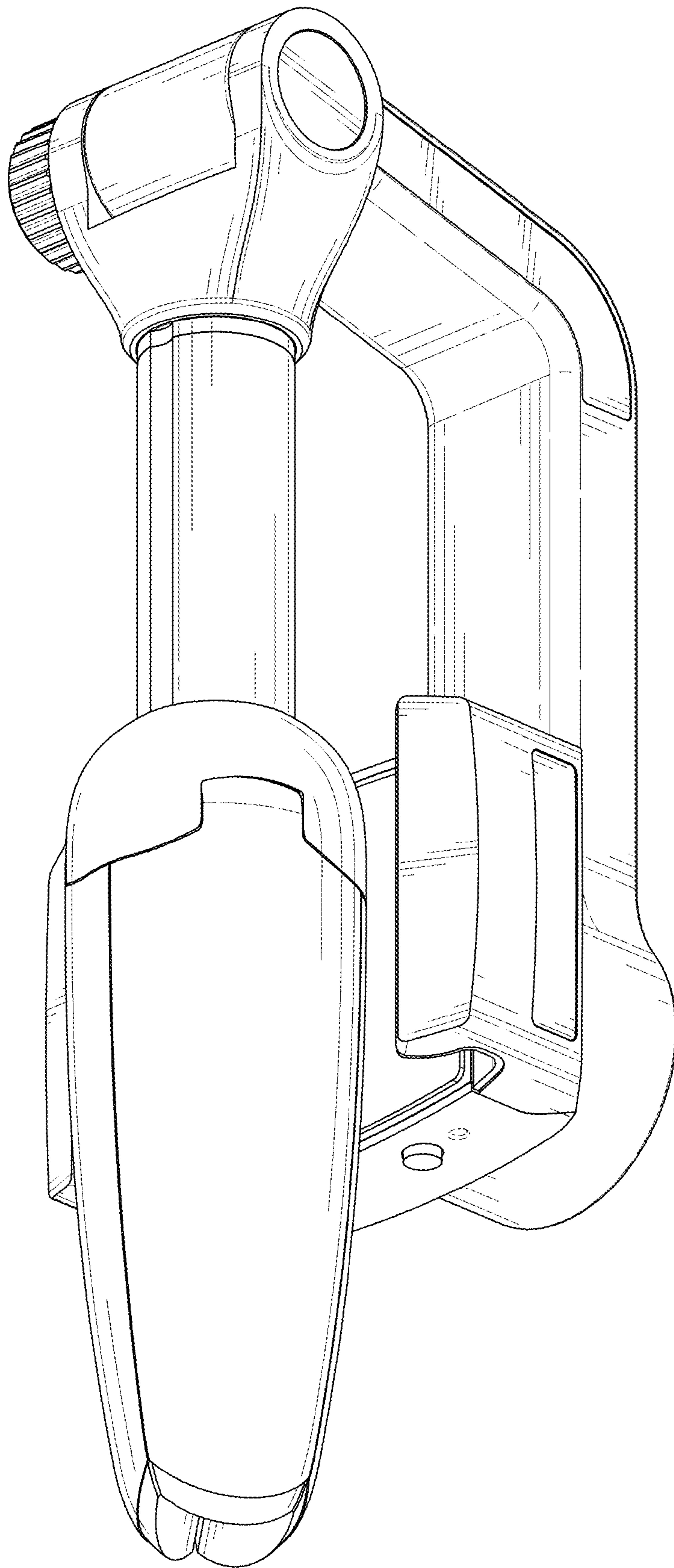


FIG. 2

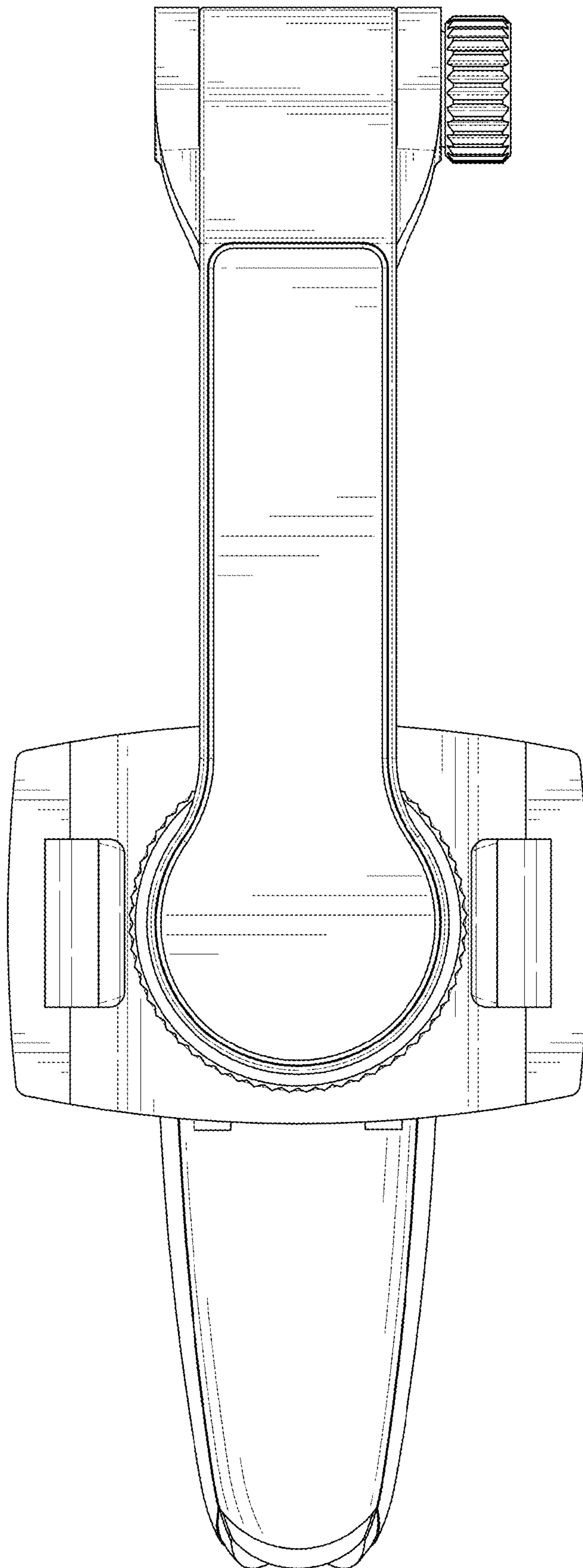


FIG. 3

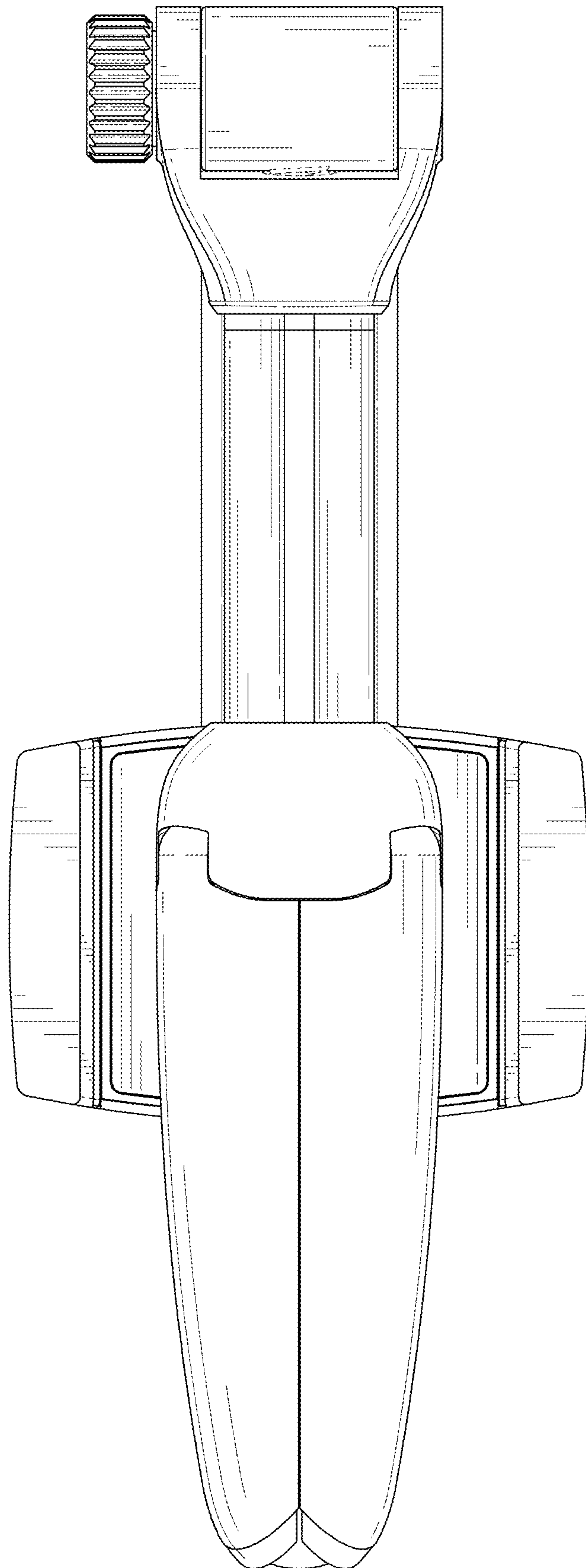


FIG. 4

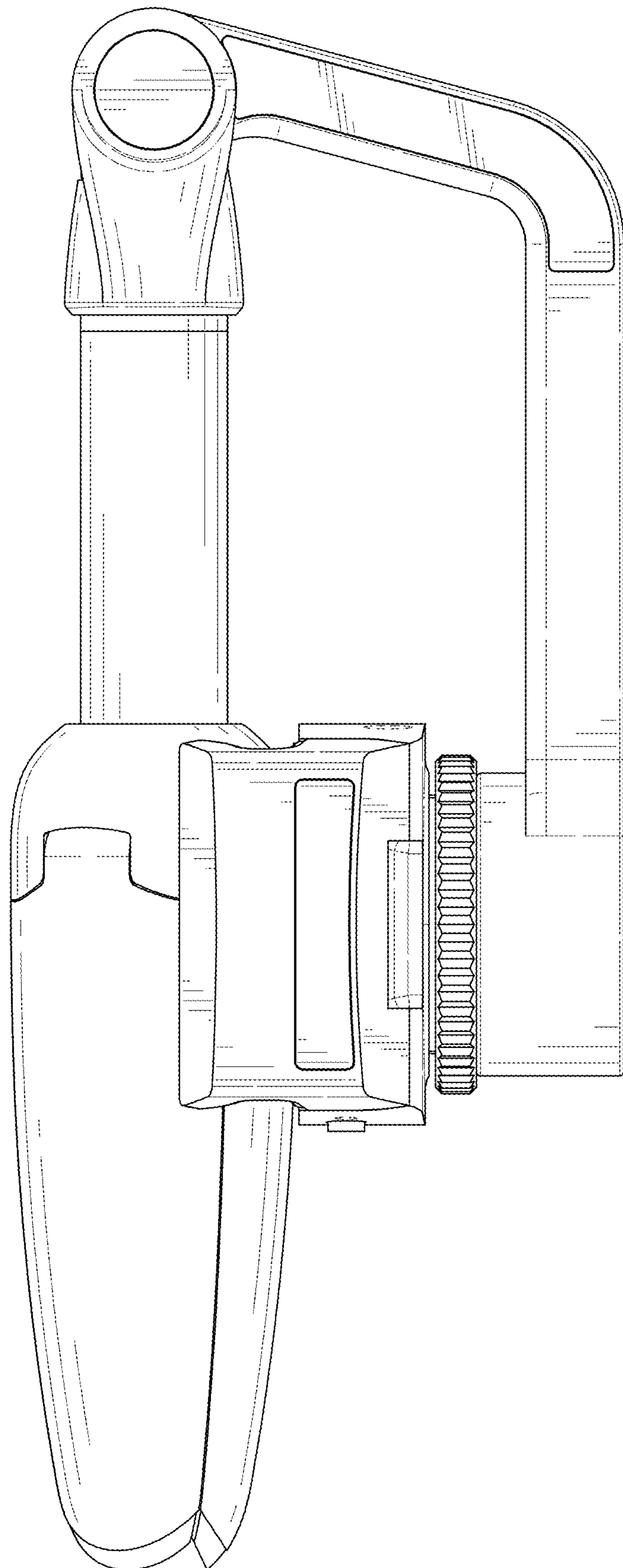


FIG. 5

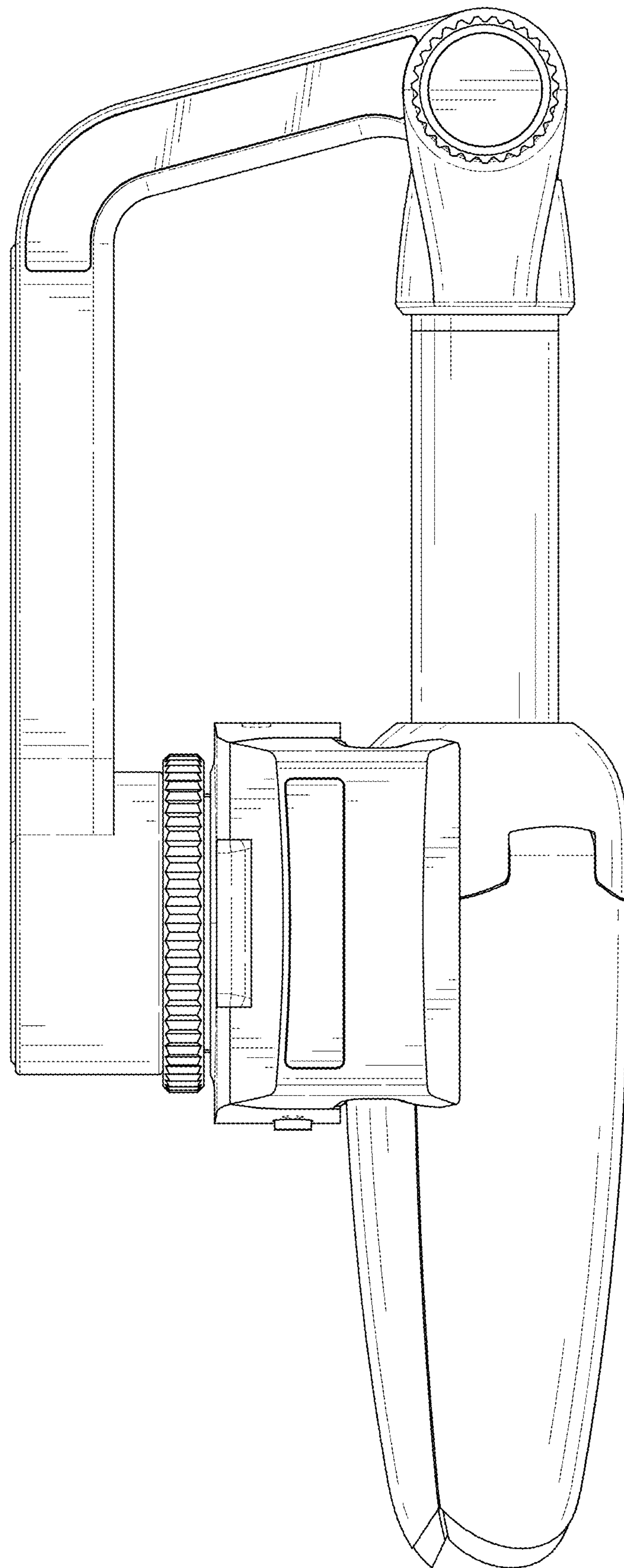


FIG. 6

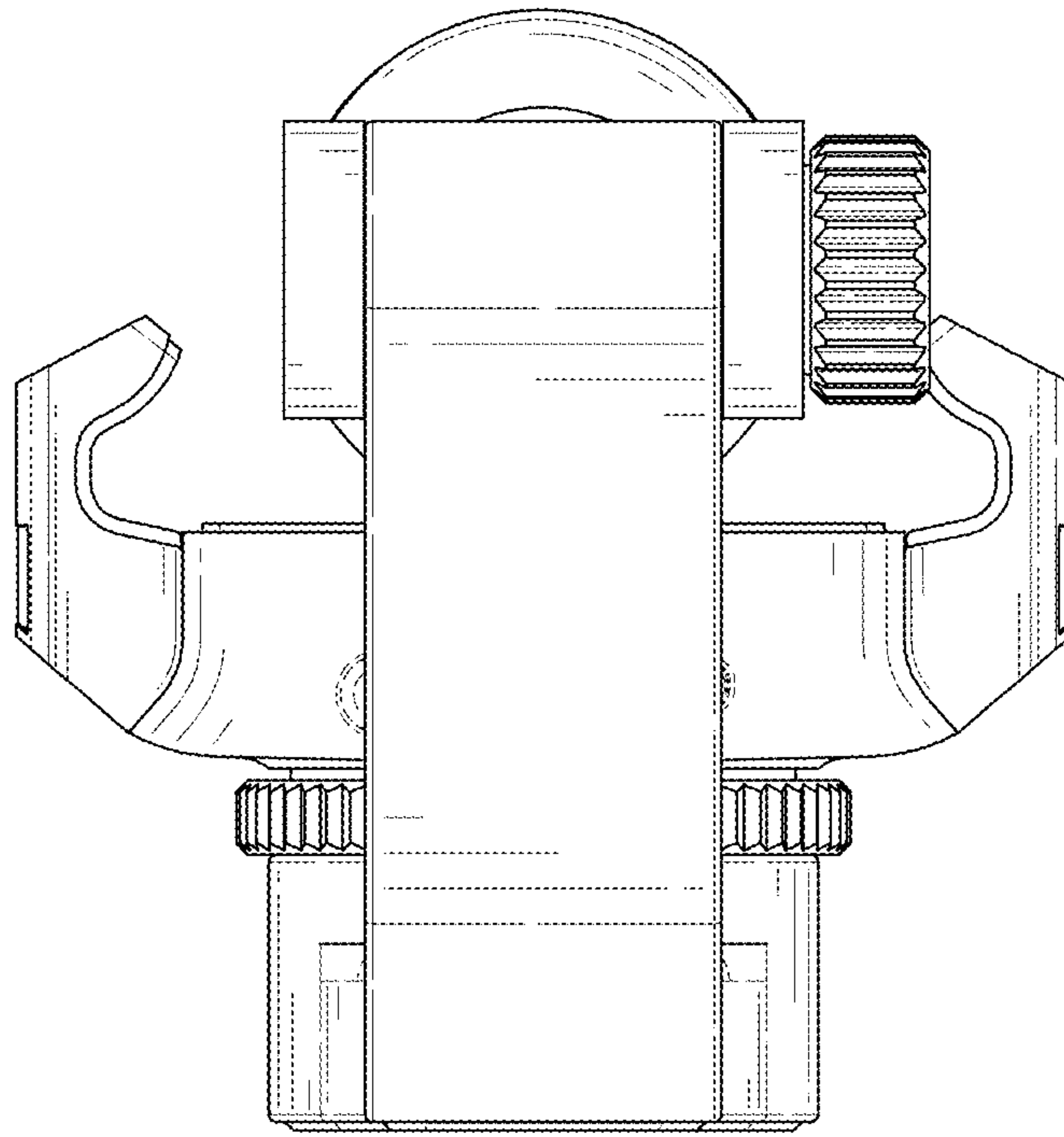


FIG. 7

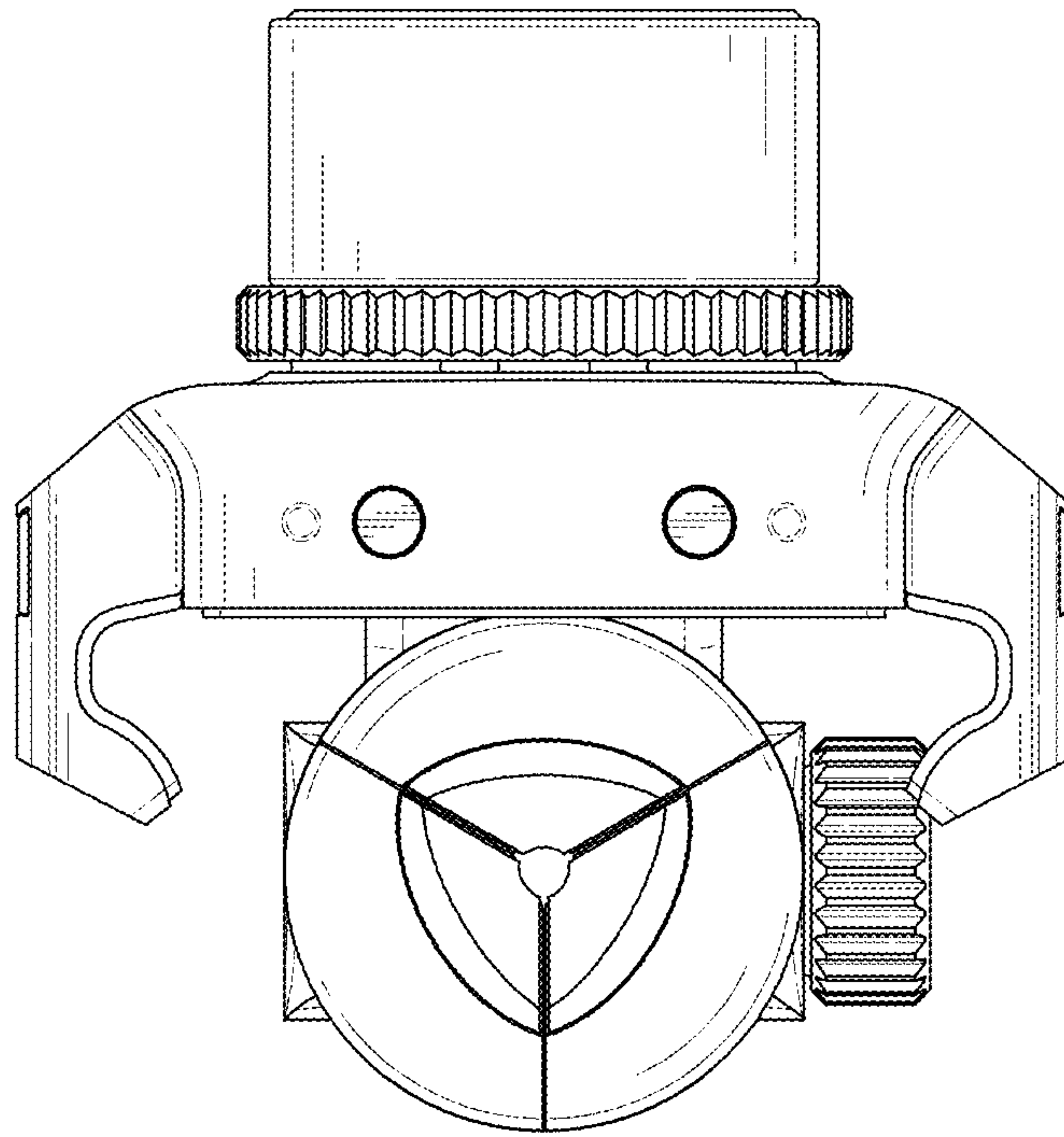


FIG. 8

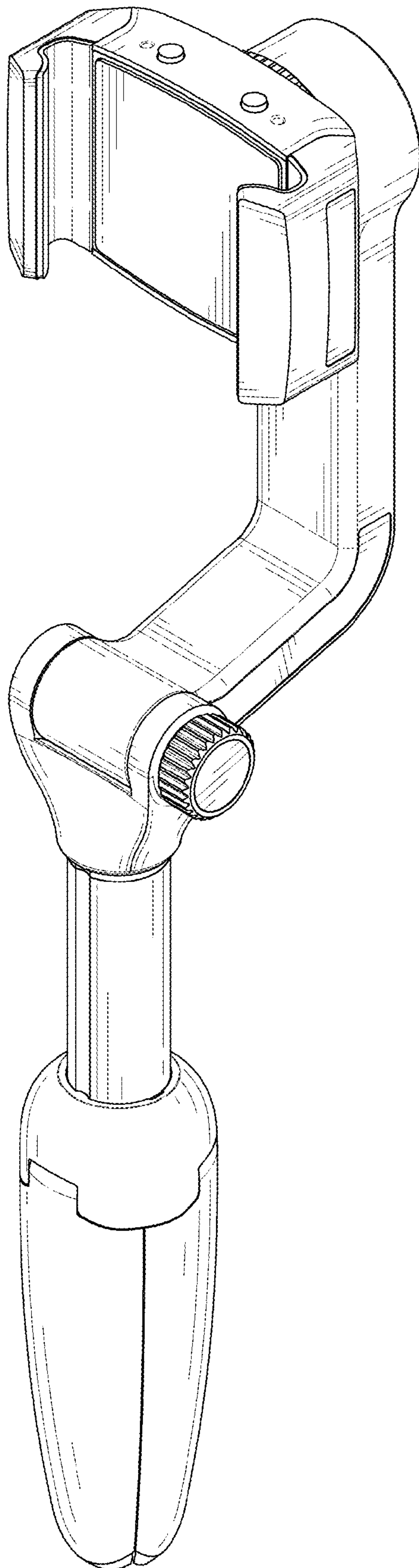


FIG. 9

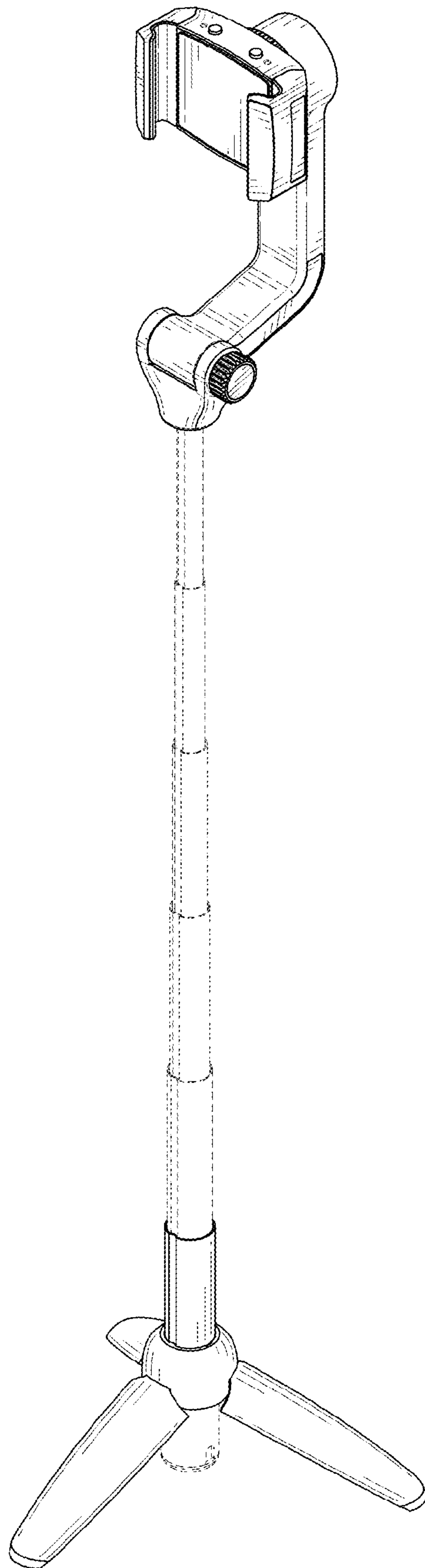


FIG. 10