



US00D971304S

(12) **United States Design Patent**  
**Deng**

(10) **Patent No.:** **US D971,304 S**

(45) **Date of Patent:** **\*\* Nov. 29, 2022**

(54) **STABILIZER**

(71) Applicant: **Shenzhen Jiayz Photo Industrial, Ltd, Shenzhen (CN)**

(72) Inventor: **Gang Deng, Shenzhen (CN)**

(\*\*) Term: **15 Years**

(21) Appl. No.: **29/776,536**

(22) Filed: **Mar. 30, 2021**

(51) **LOC (13) Cl.** ..... **16-05**

(52) **U.S. Cl.**  
USPC ..... **D16/243**

(58) **Field of Classification Search**  
USPC ..... D16/203, 214, 237, 239–245, 250;  
D14/251, 253  
CPC ..... F16M 11/08; F16M 11/12; G03B 17/561;  
G03B 17/563  
See application file for complete search history.

(56) **References Cited**

**U.S. PATENT DOCUMENTS**

D701,747 S *	4/2014	Eddisford	.....	D8/349
D744,473 S *	12/2015	Tsai	.....	D14/251
D780,825 S *	3/2017	Kim	.....	D14/251
D791,760 S *	7/2017	Kim	.....	D14/253
D824,882 S *	8/2018	Zheng	.....	D14/217
D826,310 S *	8/2018	Wang	.....	D16/237
D842,919 S *	3/2019	Zeng	.....	D16/237
D850,520 S *	6/2019	Voss	.....	D16/243
D863,411 S *	10/2019	Liao	.....	D16/243
D866,647 S *	11/2019	Kim	.....	D14/217
D879,864 S *	3/2020	Liao	.....	D16/243
D886,882 S *	6/2020	Ramones	.....	D16/202
D891,500 S *	7/2020	Tang	.....	D16/203
D900,200 S *	10/2020	Shan	.....	D16/237

D915,493 S *	4/2021	Li	.....	D16/243
D916,171 S *	4/2021	Li	.....	D16/243
D921,096 S *	6/2021	Chen	.....	D16/244
D943,016 S *	2/2022	Li	.....	D16/206
D956,855 S *	7/2022	Deng	.....	D16/243
2014/0152802 A1 *	6/2014	Olsson	.....	G02B 23/2484 348/84
2020/0116347 A1 *	4/2020	Frydenger	.....	F21V 23/0464
2021/0062963 A1 *	3/2021	Nam	.....	F16M 11/10
2021/0080812 A1 *	3/2021	Li	.....	F16M 13/04
2022/0026782 A1 *	1/2022	Goldburt	.....	F16M 11/123
2022/0221102 A1 *	7/2022	Yang	.....	G03B 15/00

\* cited by examiner

*Primary Examiner* — Maria J. Edwards

*Assistant Examiner* — Dina Michelle Hoeynck

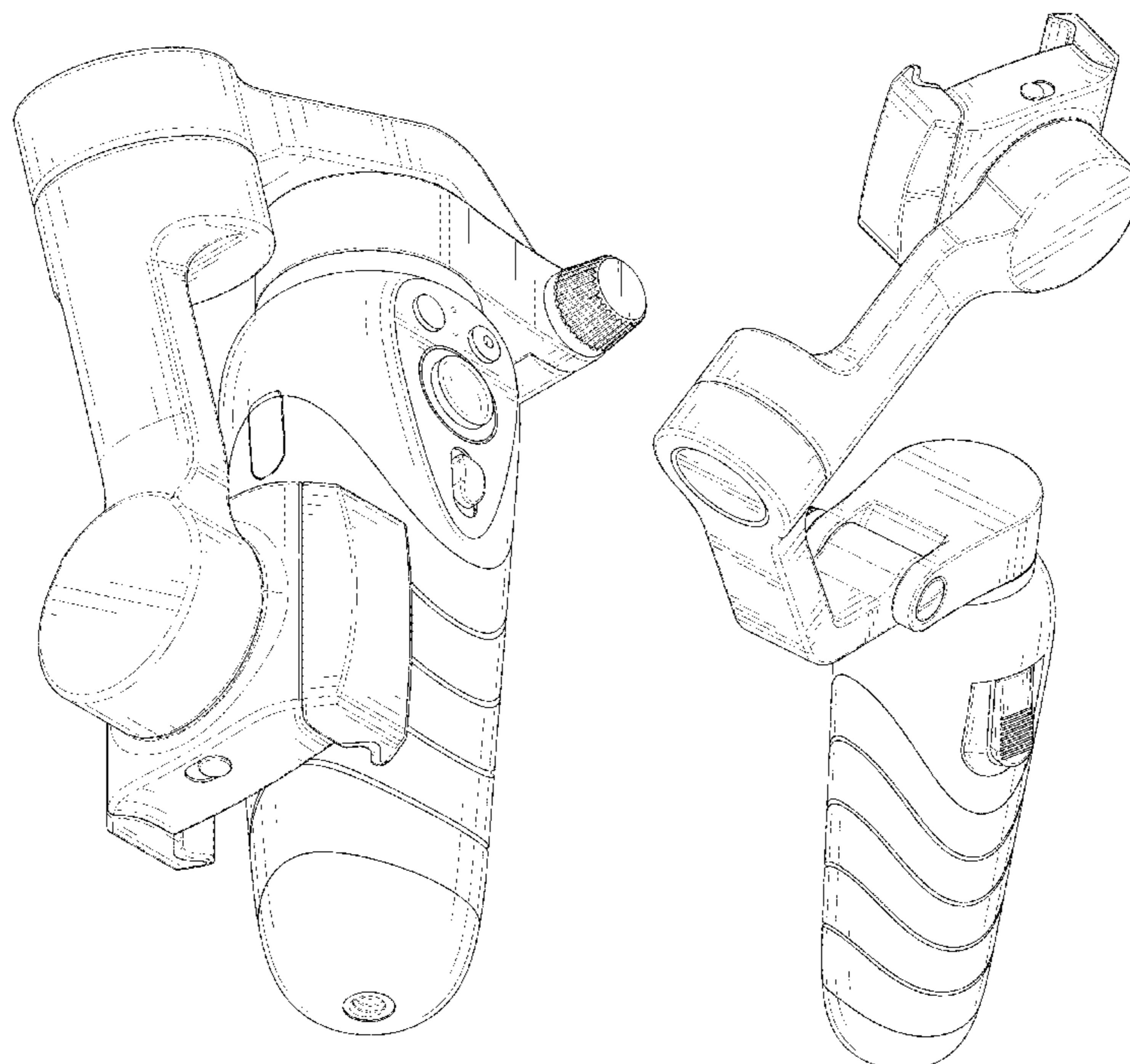
(57) **CLAIM**

The ornamental design for a stabilizer, as shown and described.

**DESCRIPTION**

FIG. 1 is a front and bottom perspective view of a stabilizer, showing my new design;  
 FIG. 2 is a rear and top perspective view thereof;  
 FIG. 3 is a front elevation view thereof;  
 FIG. 4 is a rear elevation view thereof;  
 FIG. 5 is a left side elevation view thereof;  
 FIG. 6 is a right side elevation view thereof;  
 FIG. 7 is a top plan view thereof;  
 FIG. 8 is a bottom plan view thereof; and,  
 FIG. 9 is another perspective view thereof, shown in an alternative position.  
 The broken lines in the figures illustrate portions of the stabilizer that form no part of the claimed design.

**1 Claim, 9 Drawing Sheets**



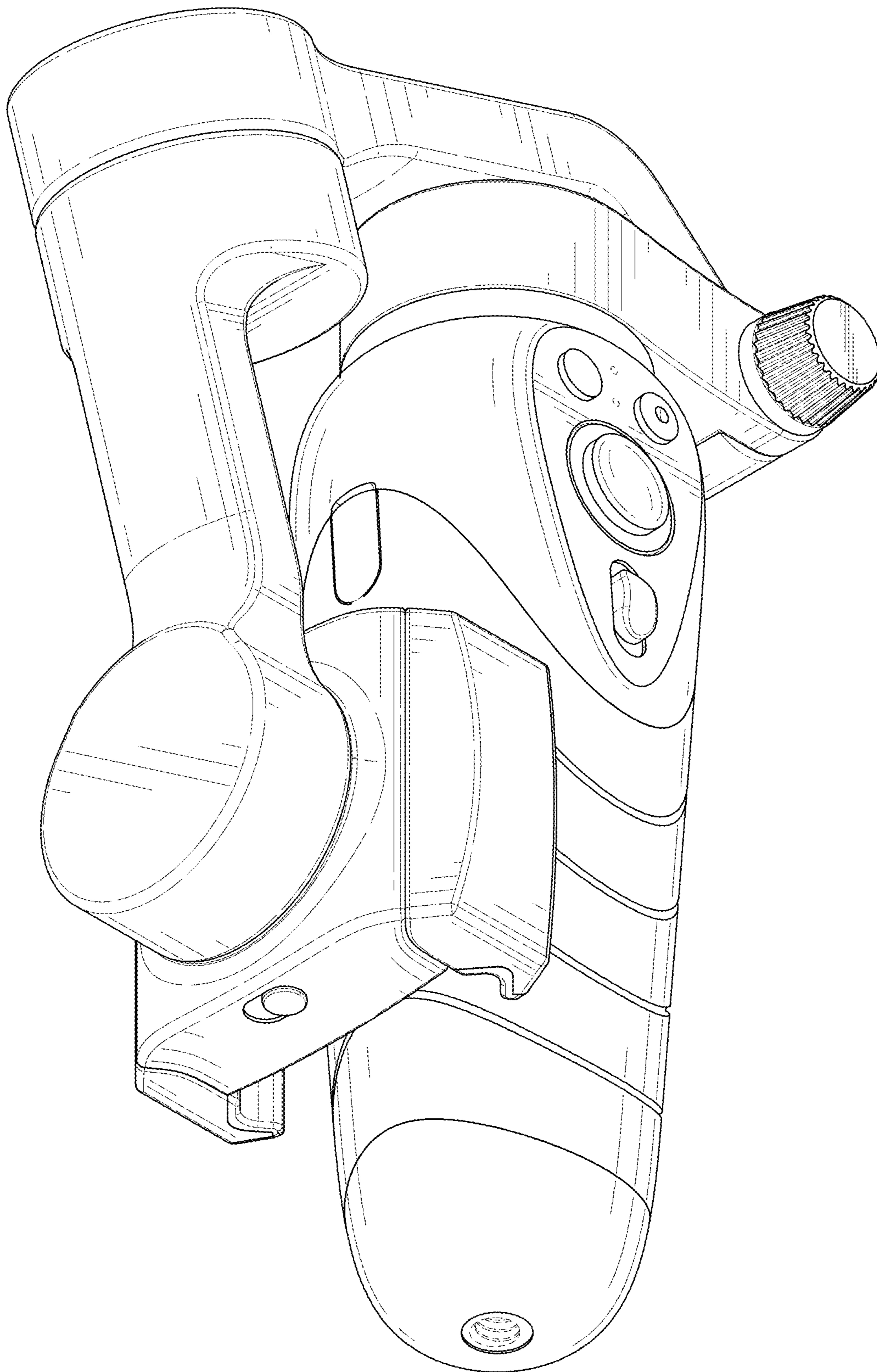


FIG. 1

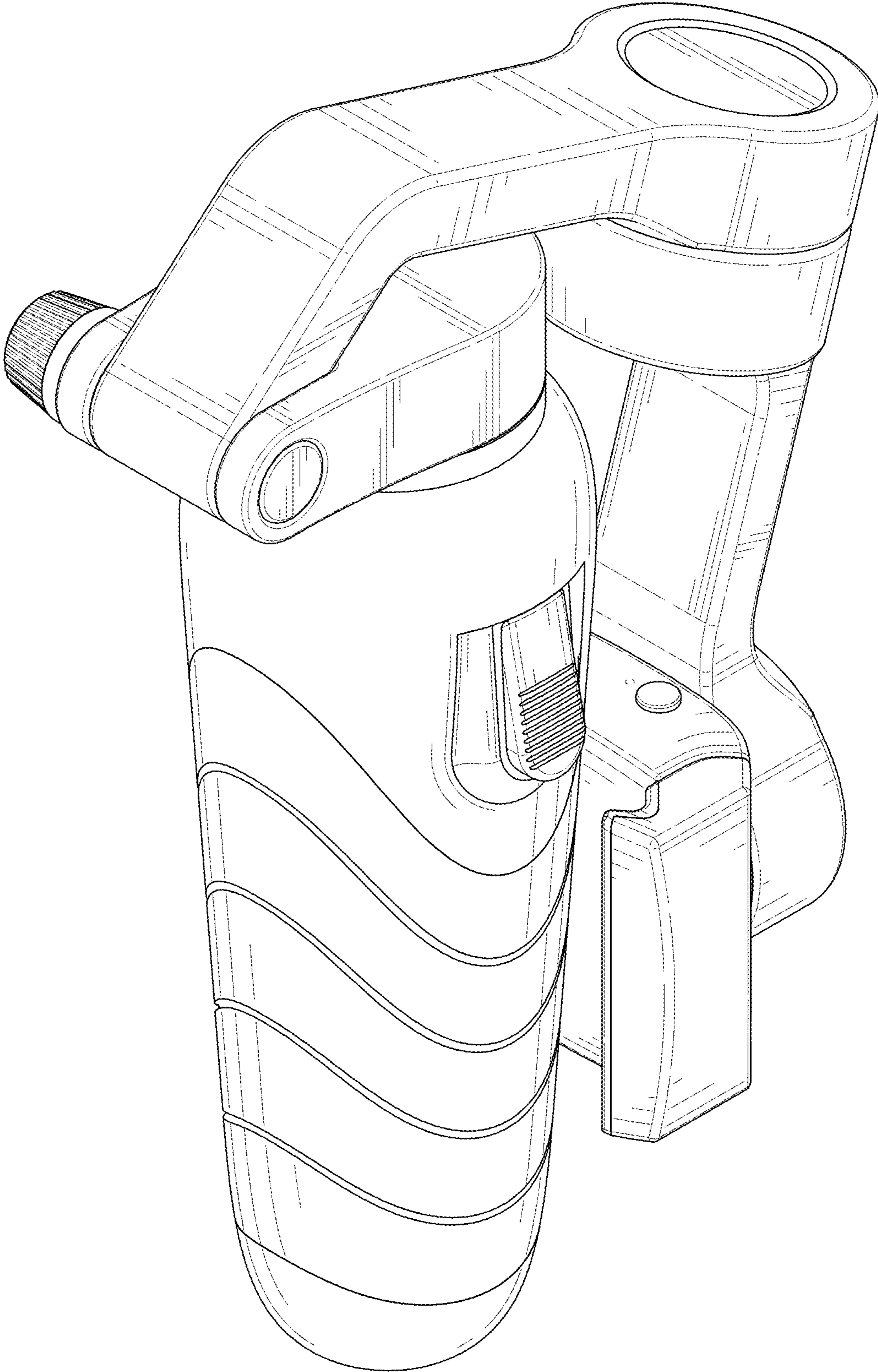


FIG. 2

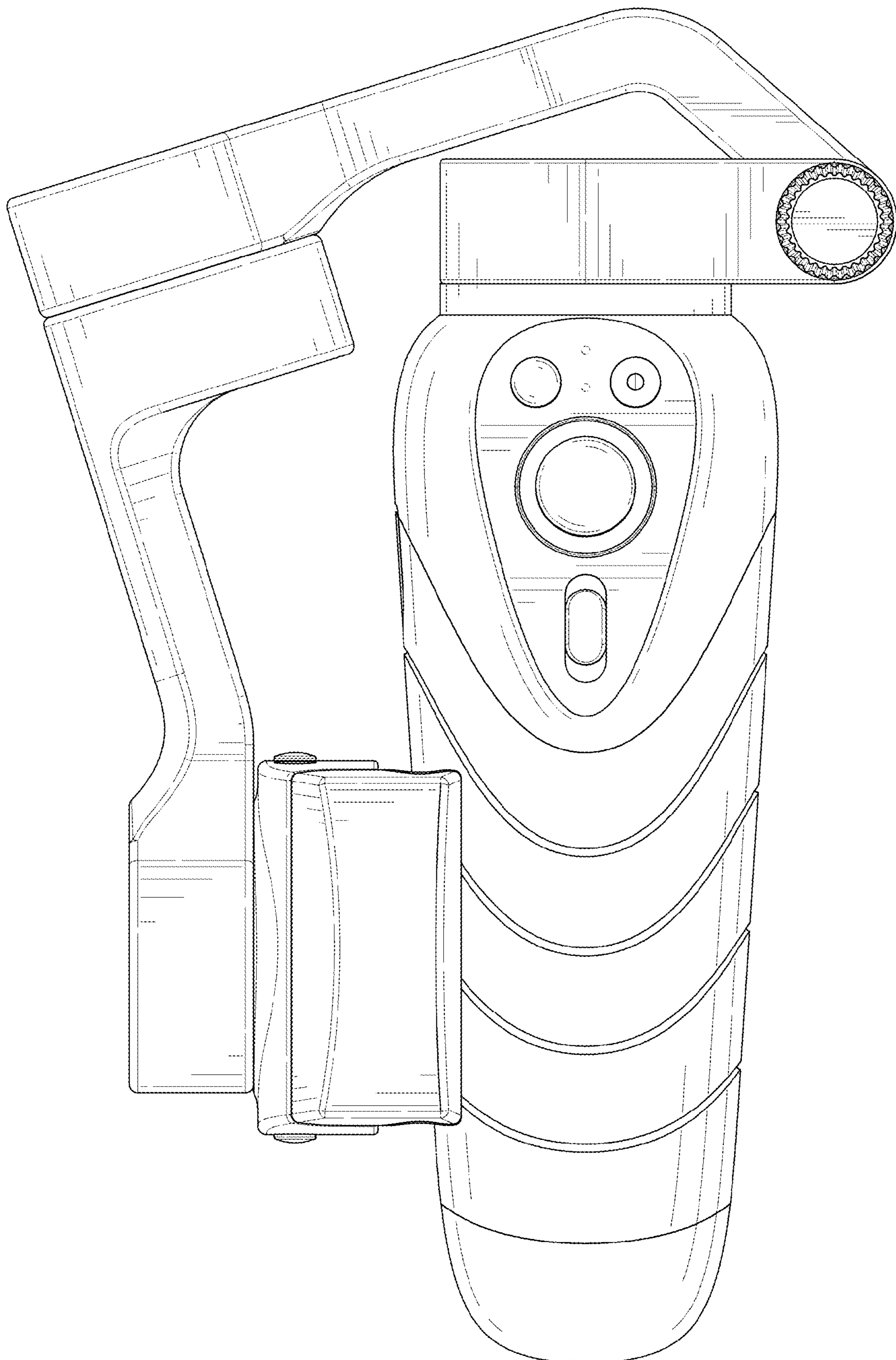


FIG. 3

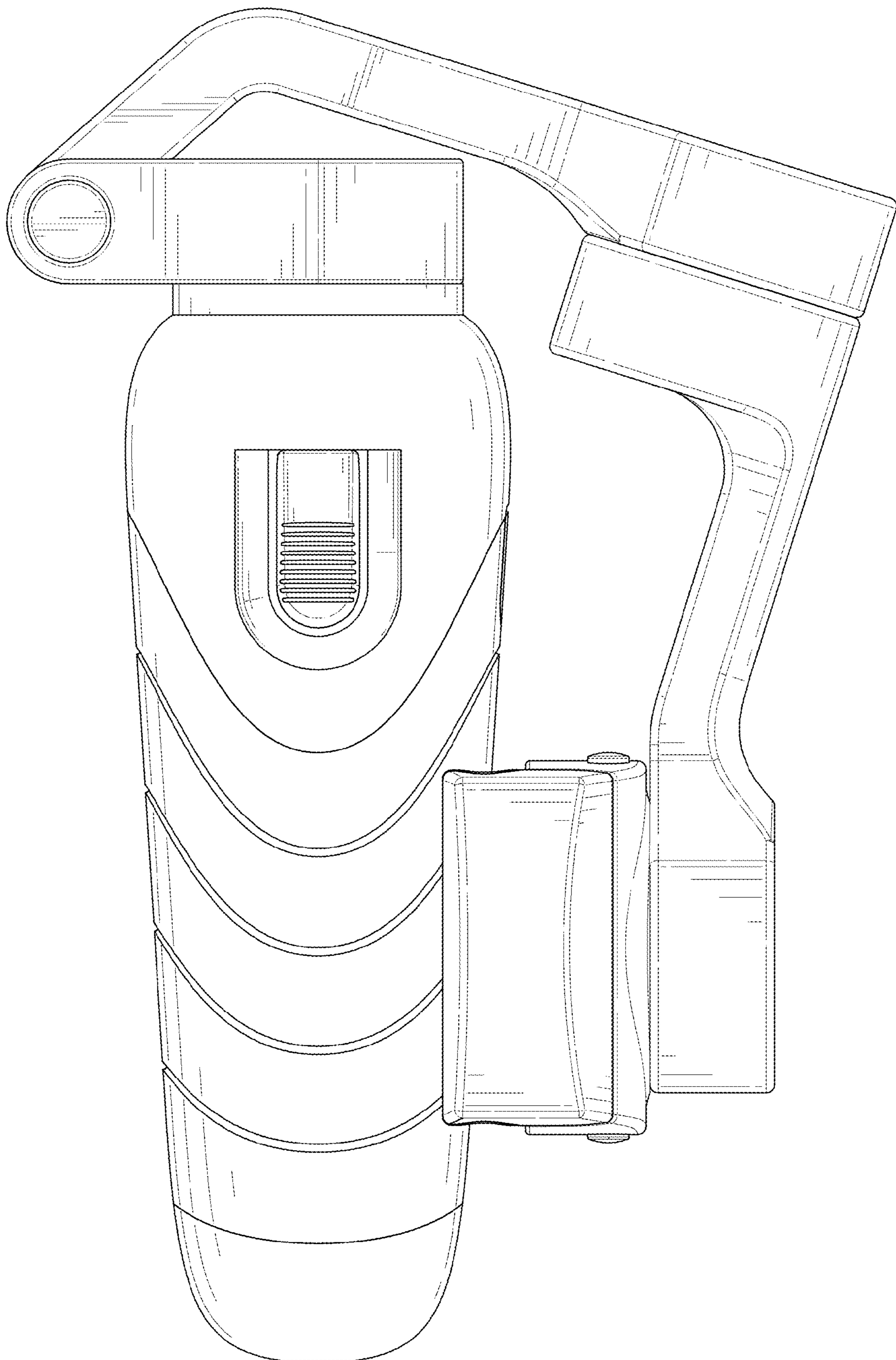


FIG. 4

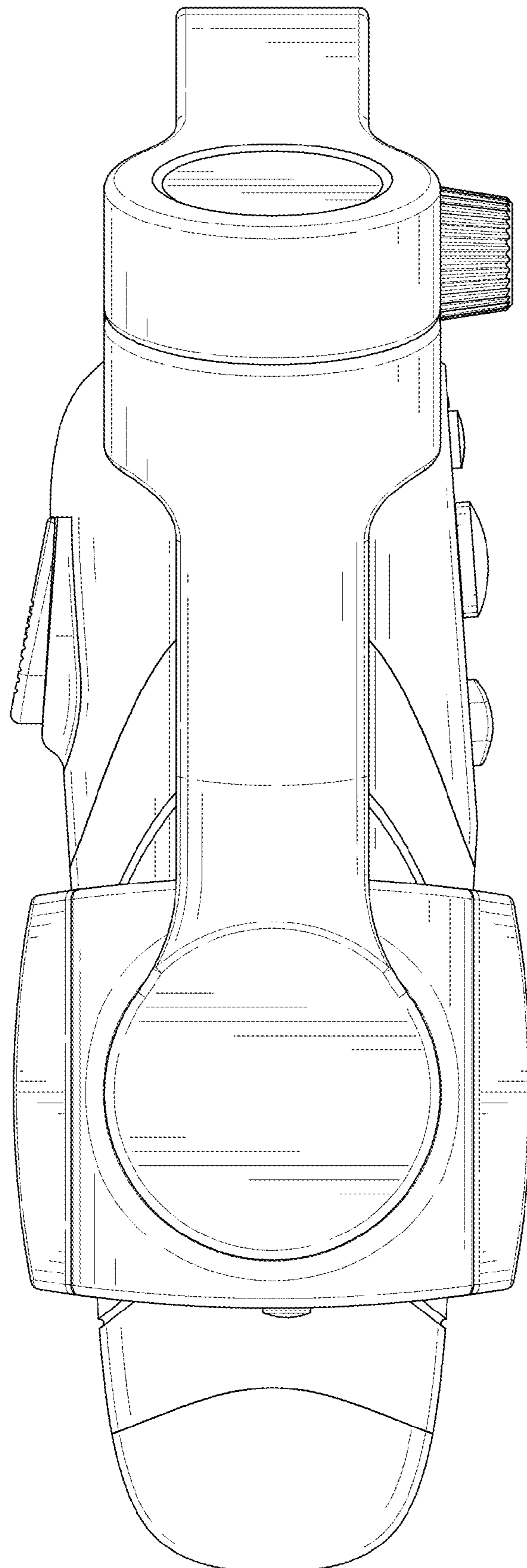


FIG. 5

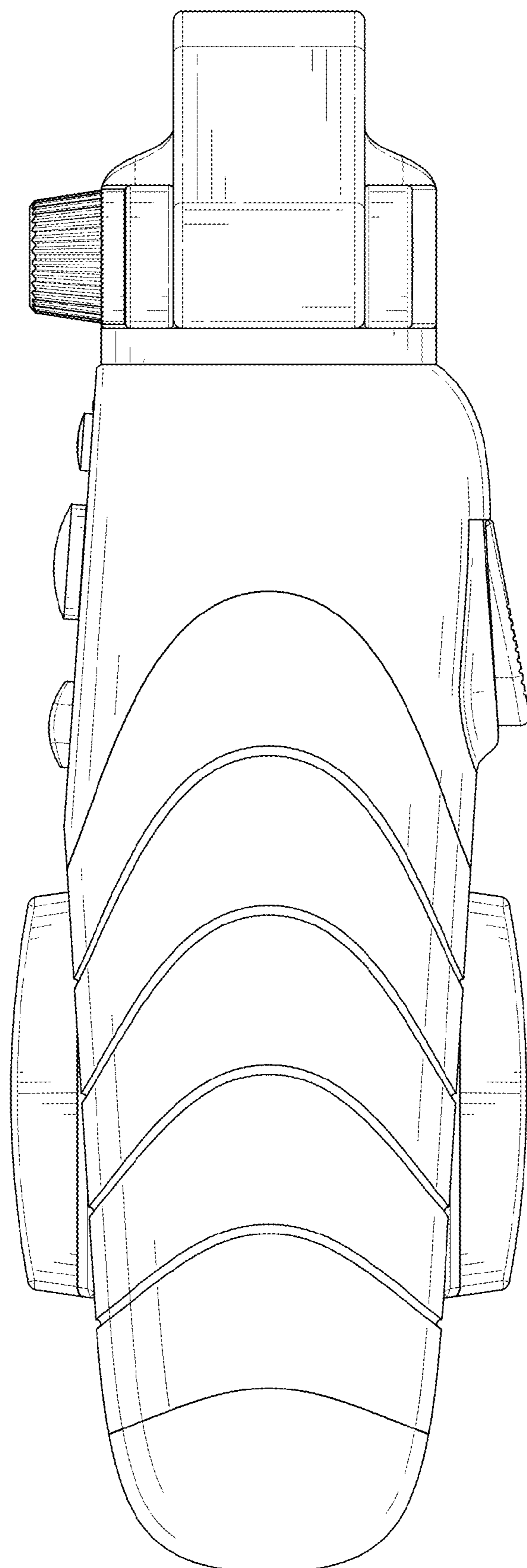


FIG. 6

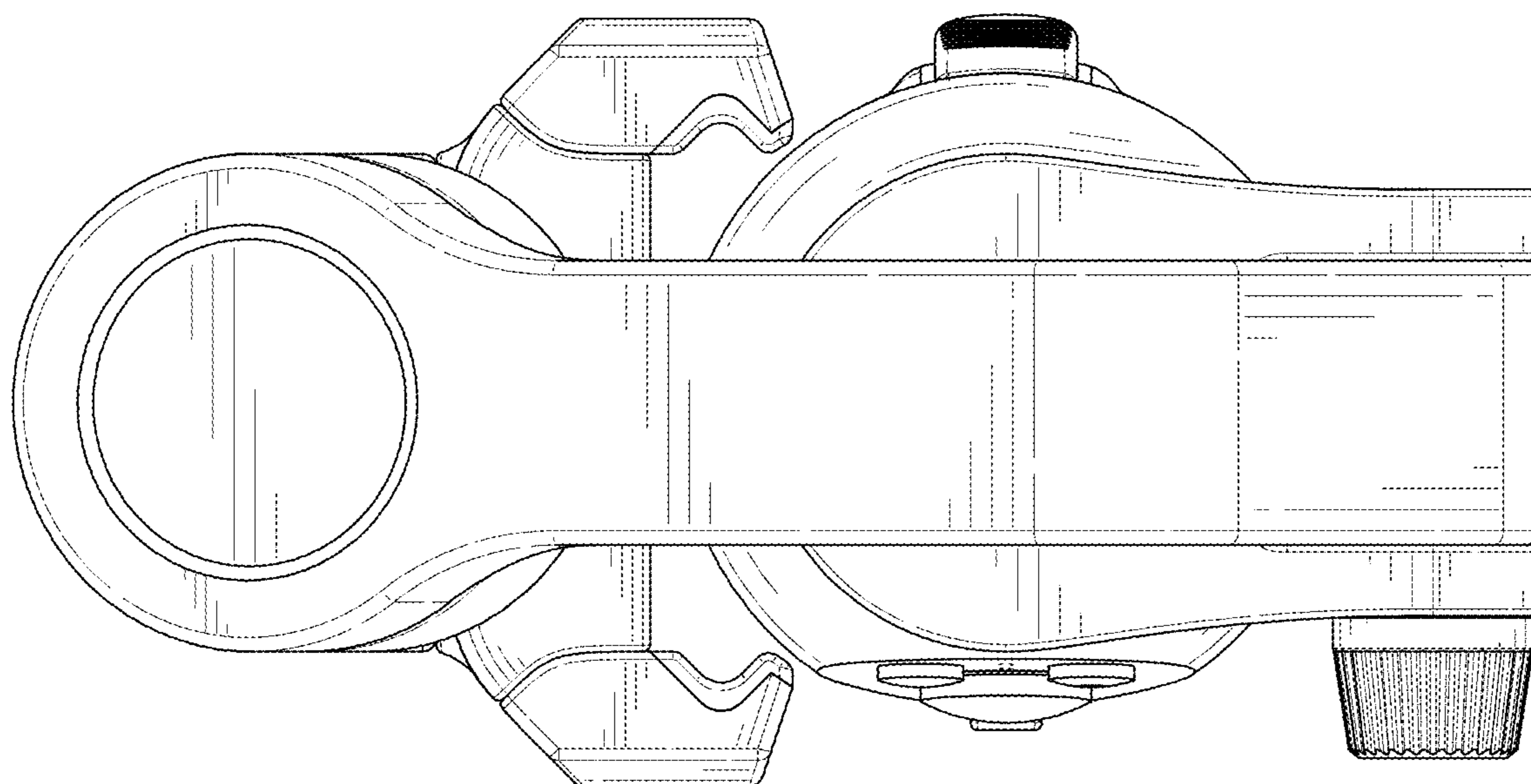


FIG. 7



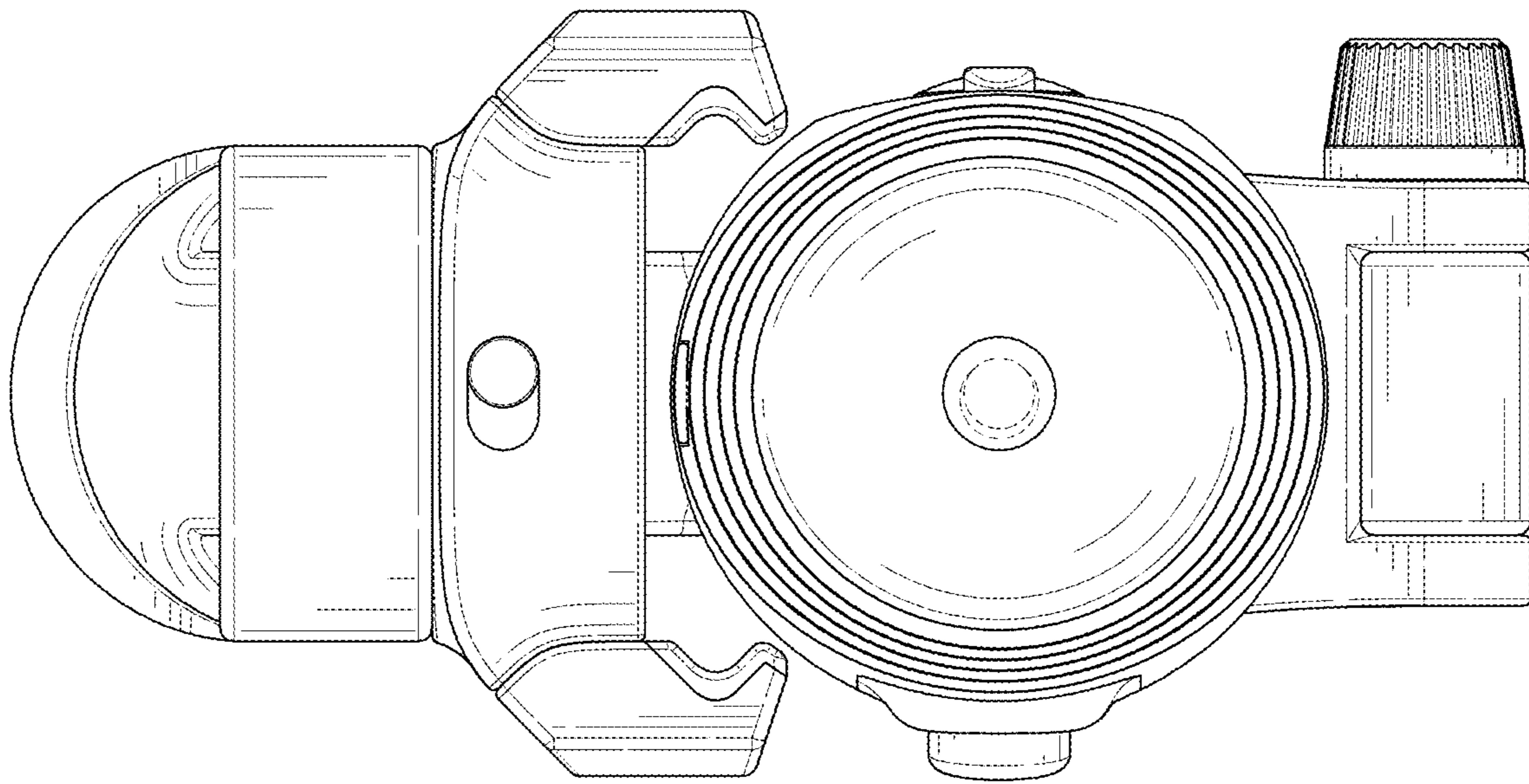


FIG. 8

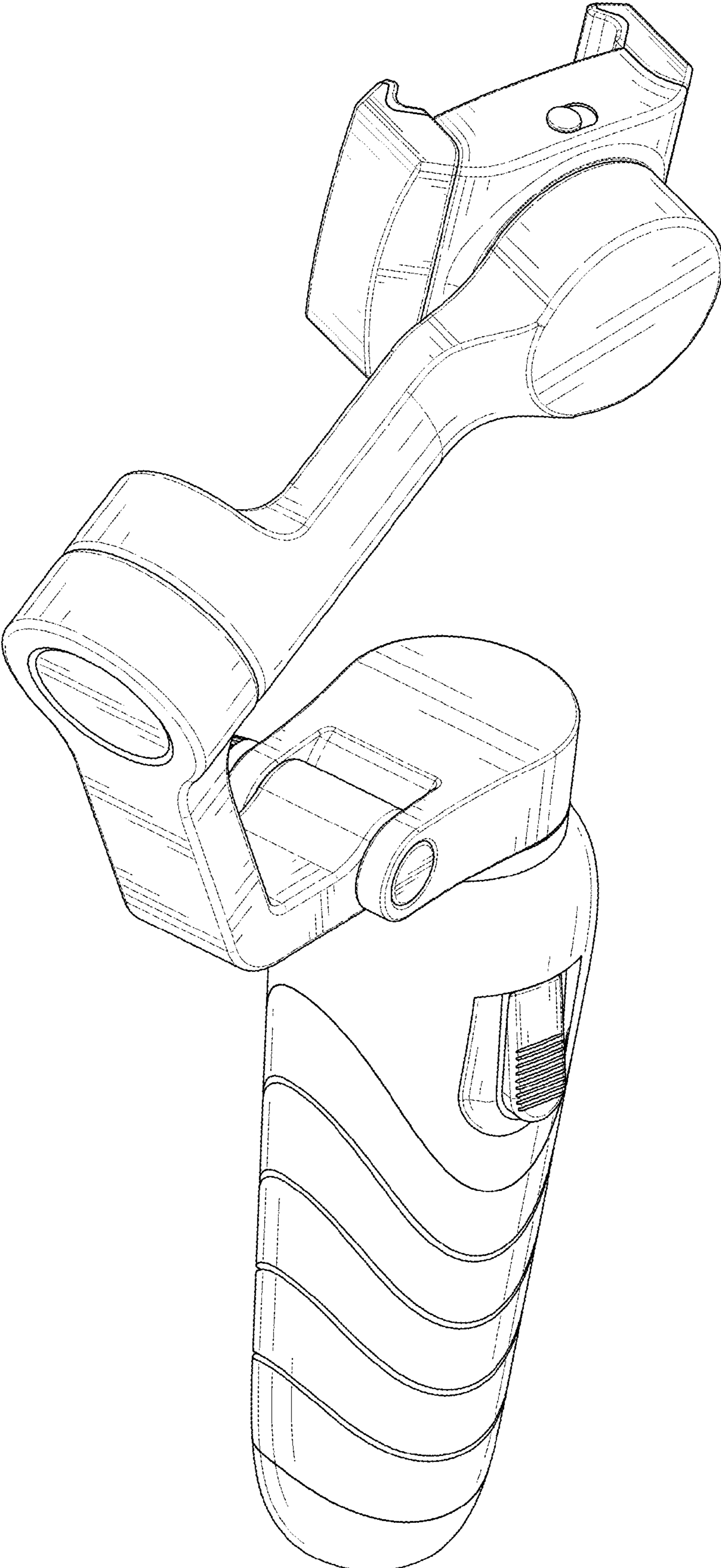


FIG. 9