



US00D971302S

(12) **United States Design Patent**  
**Lin**

(10) **Patent No.:** **US D971,302 S**  
(45) **Date of Patent:** **\*\* Nov. 29, 2022**

(54) **PROJECTOR SCREEN WITH STAND**

*Primary Examiner* — Ramzi Almatrahi

(71) Applicant: **YUEQING YOUYOU**  
**E-COMMERCE CO., LTD.**, Yueqing  
(CN)

(57) **CLAIM**

(72) Inventor: **Dongdong Lin**, Yueqing (CN)

The ornamental design for a projector screen with stand, as shown and described.

(73) Assignee: **YUEQING YOUYOU**  
**E-COMMERCE CO., LTD.**, Yueqing  
(CN)

**DESCRIPTION**

(\*\*) Term: **15 Years**

(21) Appl. No.: **29/821,461**

(22) Filed: **Dec. 30, 2021**

(51) **LOC (13) Cl.** ..... **16-05**

(52) **U.S. Cl.**  
USPC ..... **D16/241**

(58) **Field of Classification Search**  
USPC ..... D16/237–250; D14/238, 251, 253;  
D6/332, 681

CPC ..... G03B 17/02; G03B 17/56; G03B 17/04;  
G03B 17/561–566; G03B 15/02; G03B  
15/03; H04N 5/2251; H04N 5/2252;  
H04N 5/2253; H04N 5/2254; G02B 7/02;  
G02B 7/04; G02B 7/14

See application file for complete search history.

(56) **References Cited**

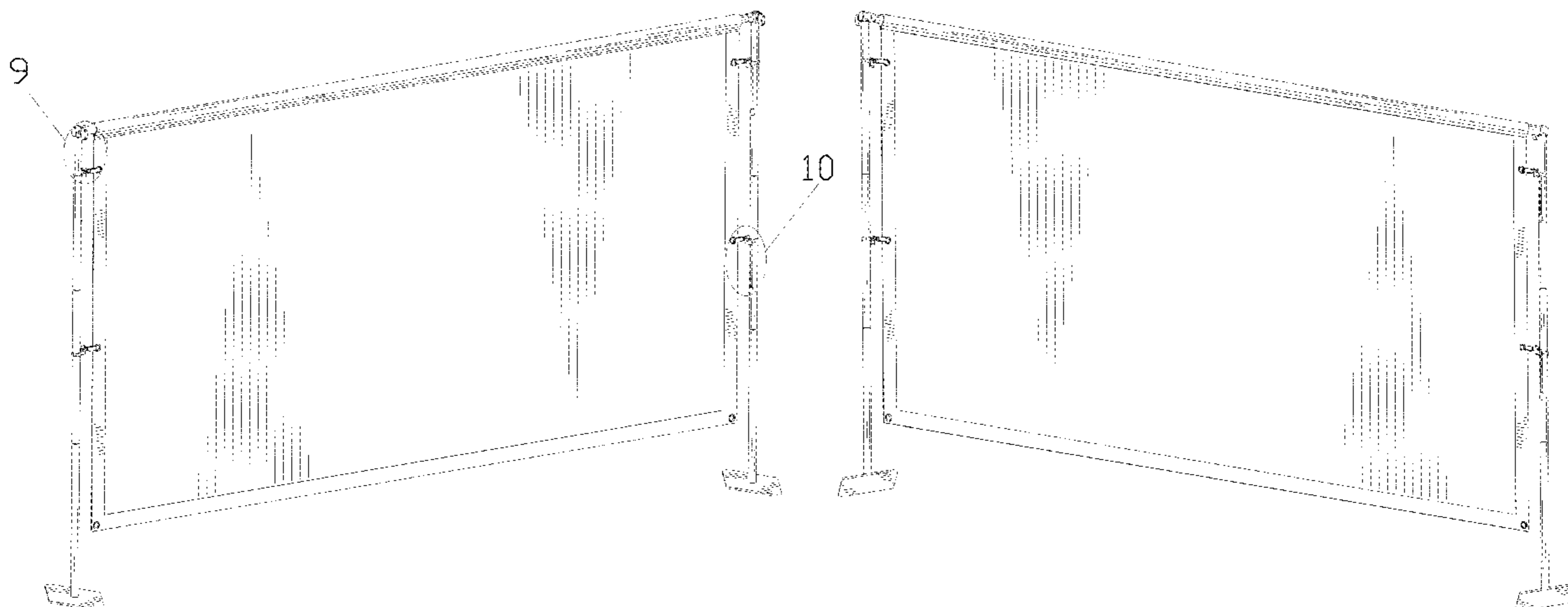
**U.S. PATENT DOCUMENTS**

D828,057	S	*	9/2018	Yaguchi	.....	D6/681
D828,433	S	*	9/2018	Zhao	.....	D16/241
D833,510	S	*	11/2018	Jo	.....	D16/241
D875,815	S		2/2020	Fest		
D898,106	S	*	10/2020	Zhao	.....	D16/241
D919,693	S		5/2021	Yang		
D919,694	S	*	5/2021	Zheng	.....	D16/241
D940,228	S	*	1/2022	Ke	.....	D16/241
D943,018	S	*	2/2022	Feng	.....	D16/244
D947,926	S	*	4/2022	Tian	.....	D16/244

(Continued)

FIG. 1 is a top, front and left side perspective view of a first embodiment of a projector screen with stand showing my new design;  
 FIG. 2 is a bottom, rear and right side perspective view thereof;  
 FIG. 3 is a front elevational view thereof;  
 FIG. 4 is a rear elevational view thereof;  
 FIG. 5 is a left side elevational view thereof;  
 FIG. 6 is a right side elevational view thereof;  
 FIG. 7 is a top plan view thereof;  
 FIG. 8 is a bottom plan view thereof;  
 FIG. 9 is an enlarged view of portion 9 shown in FIG. 1;  
 FIG. 10 is an enlarged view of portion 10 shown in FIG. 1;  
 FIG. 11 is a top, front and left side perspective view of a second embodiment of a projector screen with stand showing my new design;  
 FIG. 12 is a bottom, rear and right side perspective view thereof;  
 FIG. 13 is a front elevational view thereof;  
 FIG. 14 is a rear elevational view thereof;  
 FIG. 15 is a left side elevational view thereof;  
 FIG. 16 is a right side elevational view thereof;  
 FIG. 17 is a top plan view thereof;  
 FIG. 18 is a bottom plan view thereof;  
 FIG. 19 is an enlarged view of portion 19 shown in FIG. 11;  
 and,  
 FIG. 20 is an enlarged view of portion 20 shown in FIG. 11.  
 The dot-dash broken lines represent boundaries of the enlarged portions and form no part of the claimed design.

**1 Claim, 20 Drawing Sheets**



(56)

**References Cited**

U.S. PATENT DOCUMENTS

D955,465 S *	6/2022	Rong	.....	D16/241
D962,326 S *	8/2022	Feng	.....	D16/244
D963,029 S *	9/2022	Lin	.....	D16/241
D965,054 S *	9/2022	Feng	.....	D16/244

\* cited by examiner

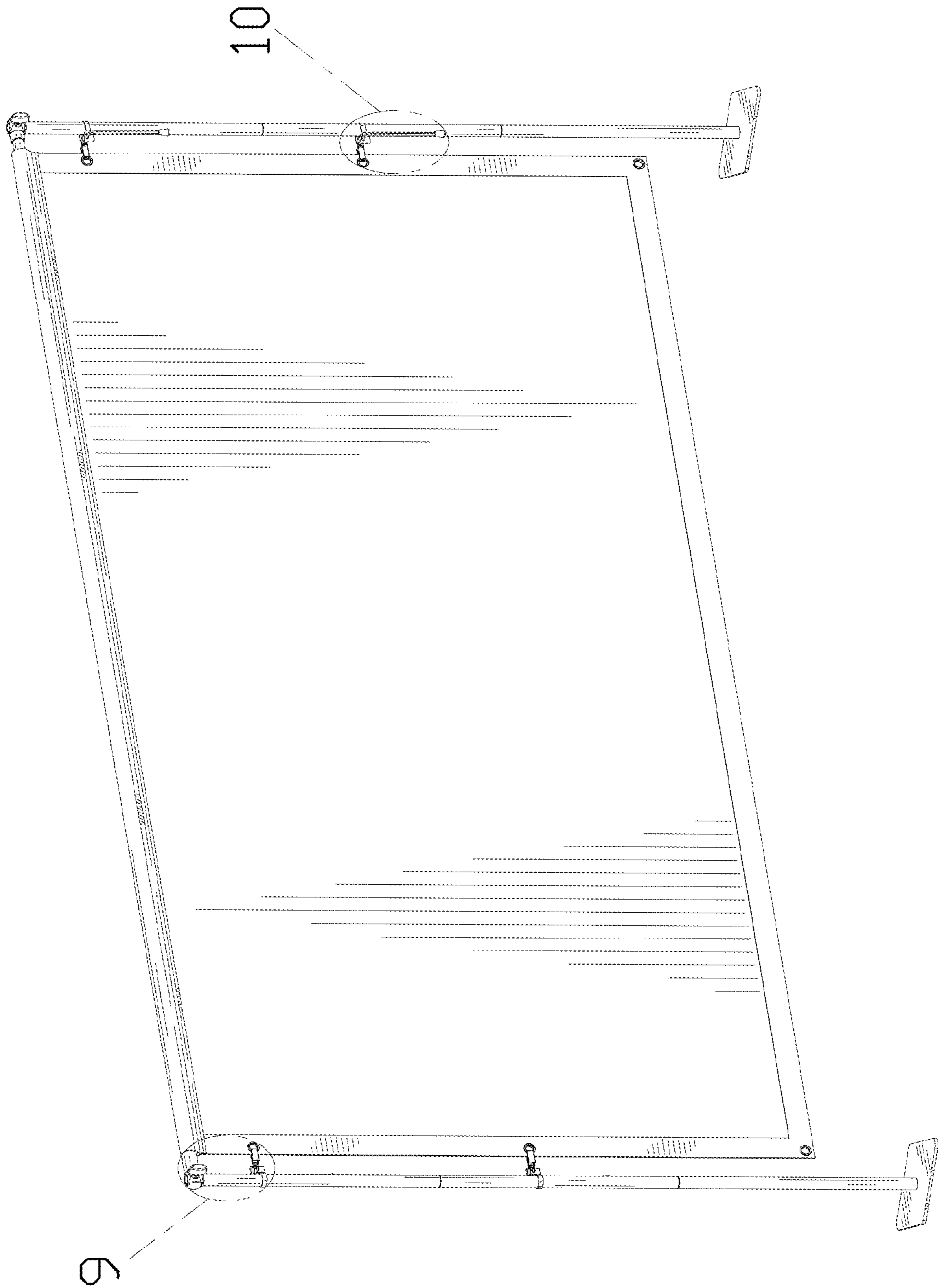


FIG. 1

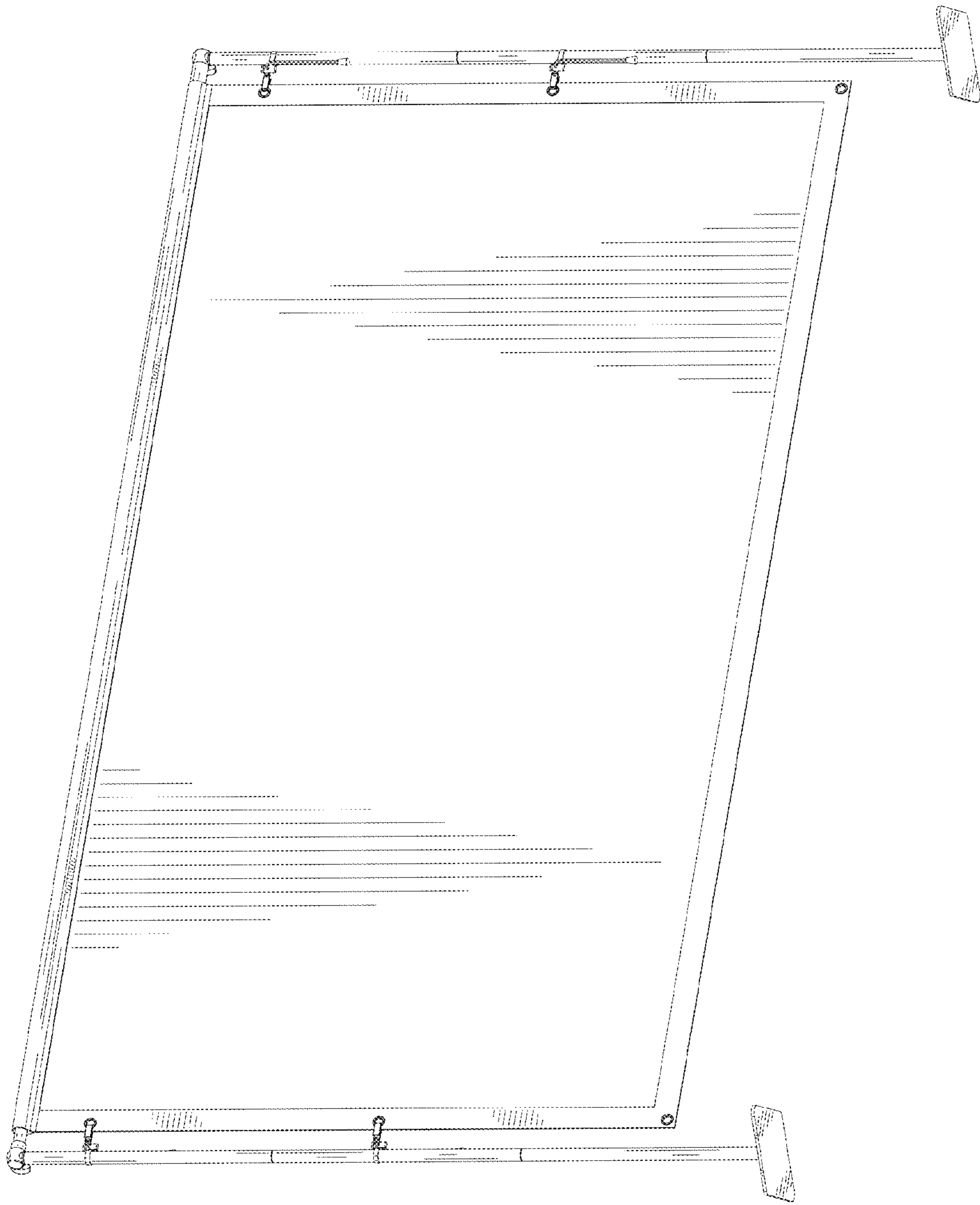


FIG. 2



FIG. 3

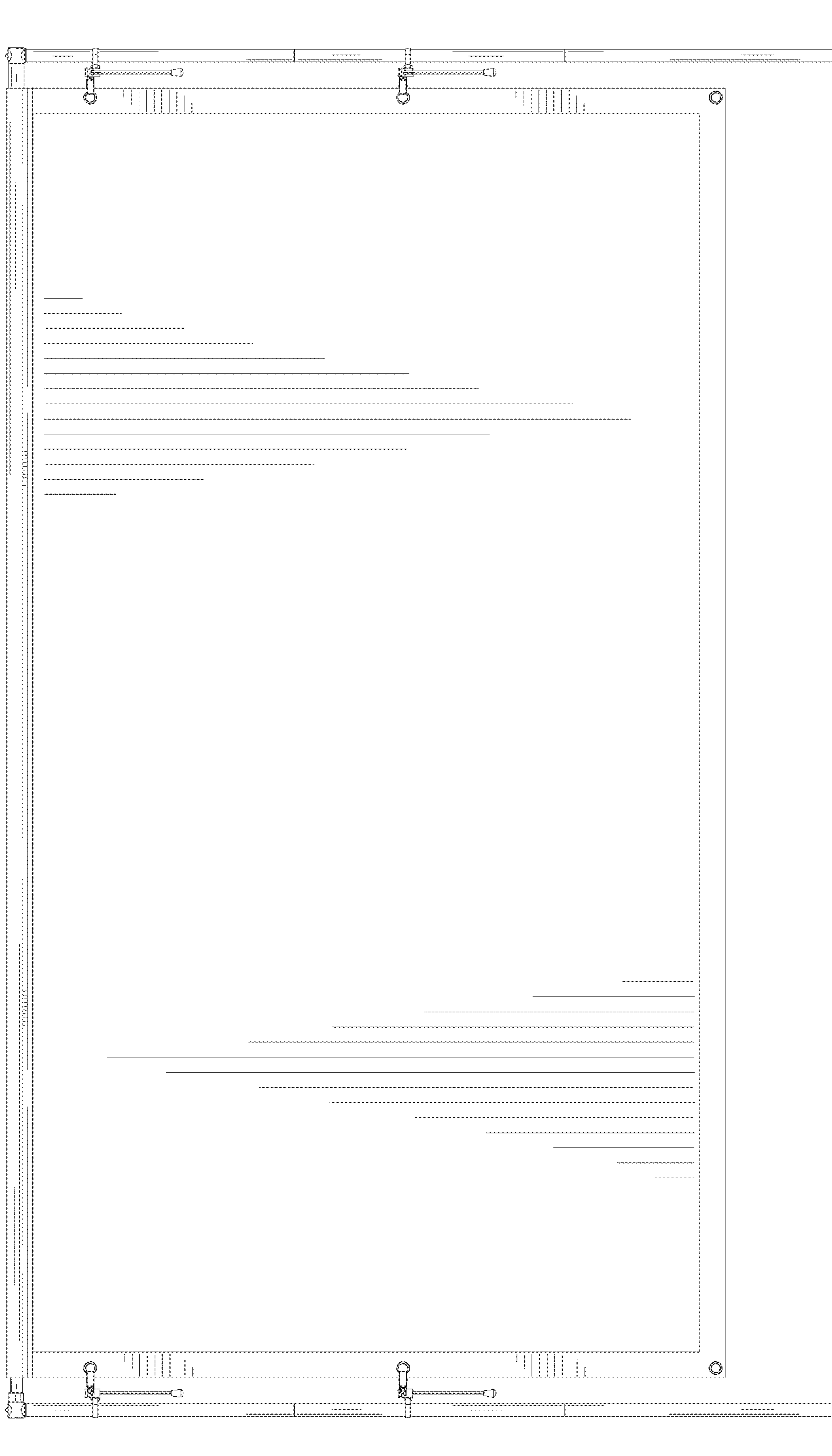


FIG. 4

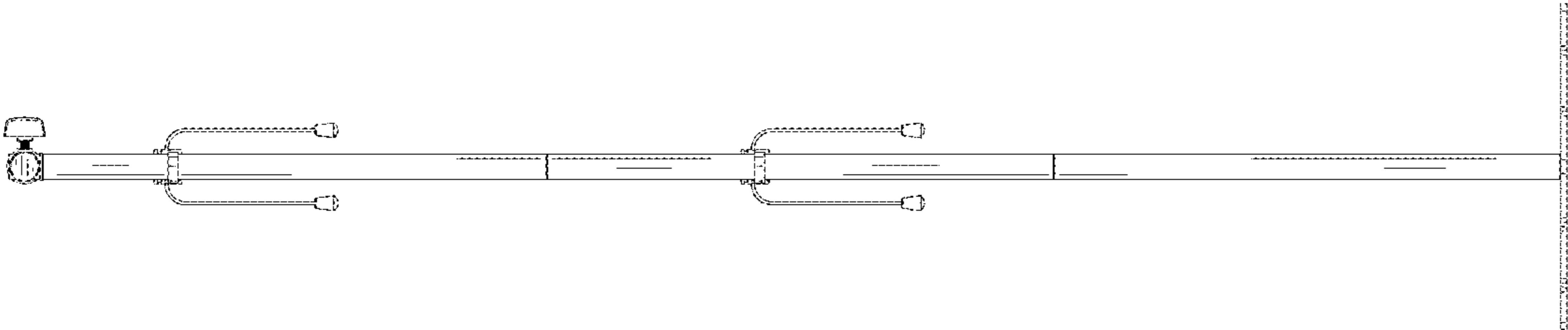


FIG. 5

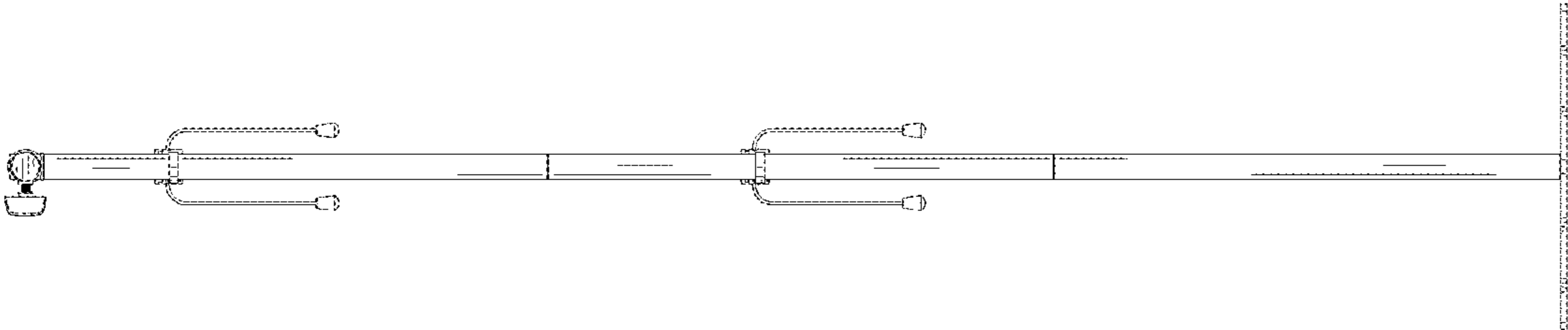


FIG. 6



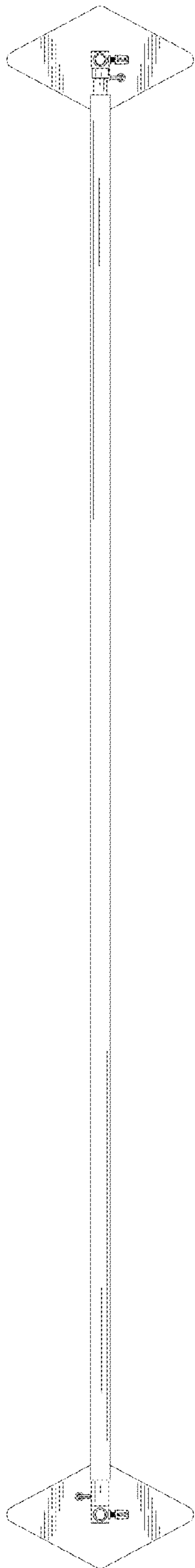


FIG. 7

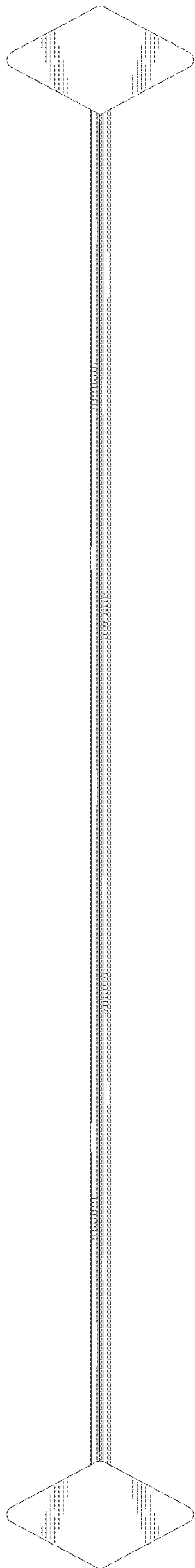


FIG. 8

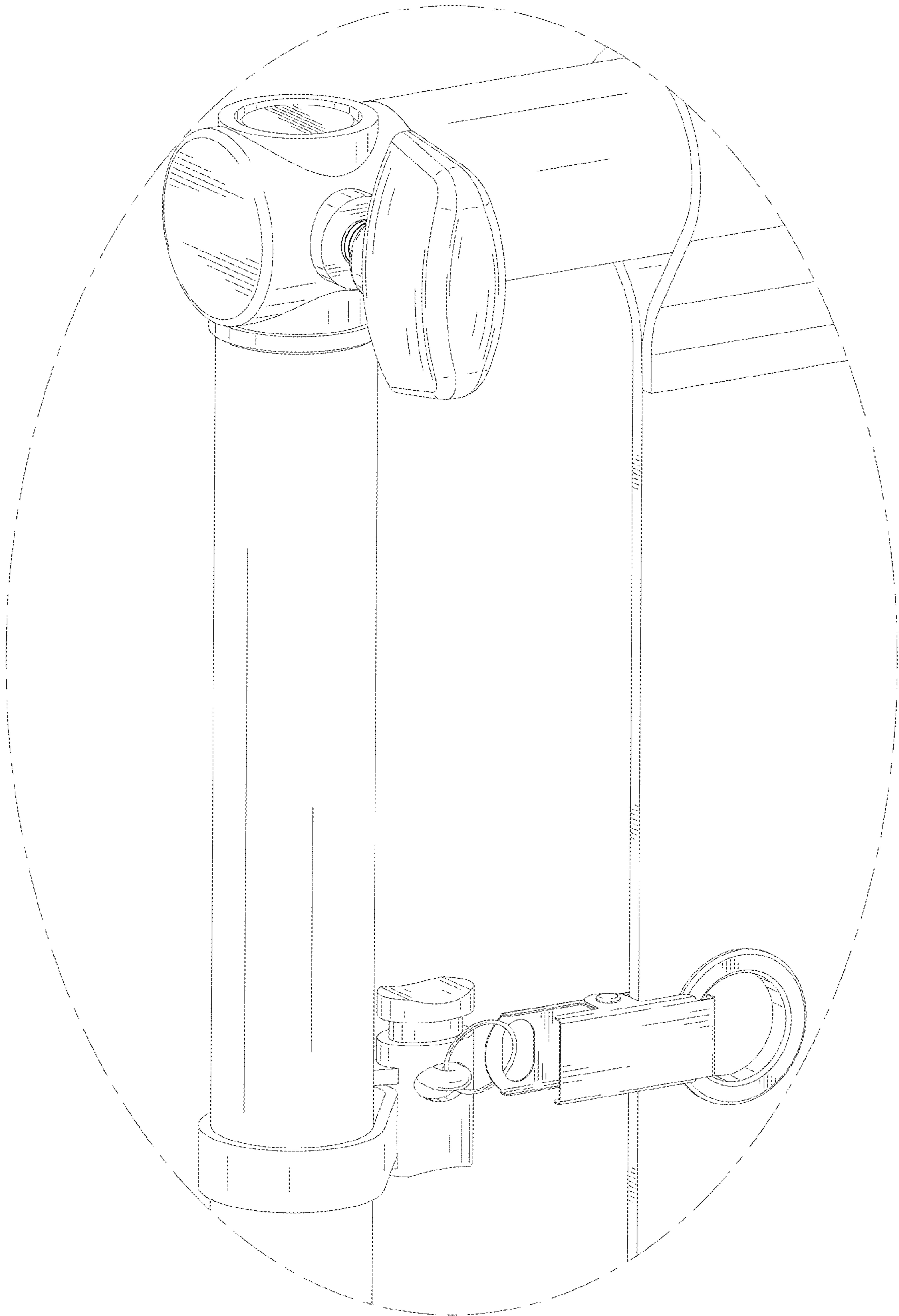


FIG. 9

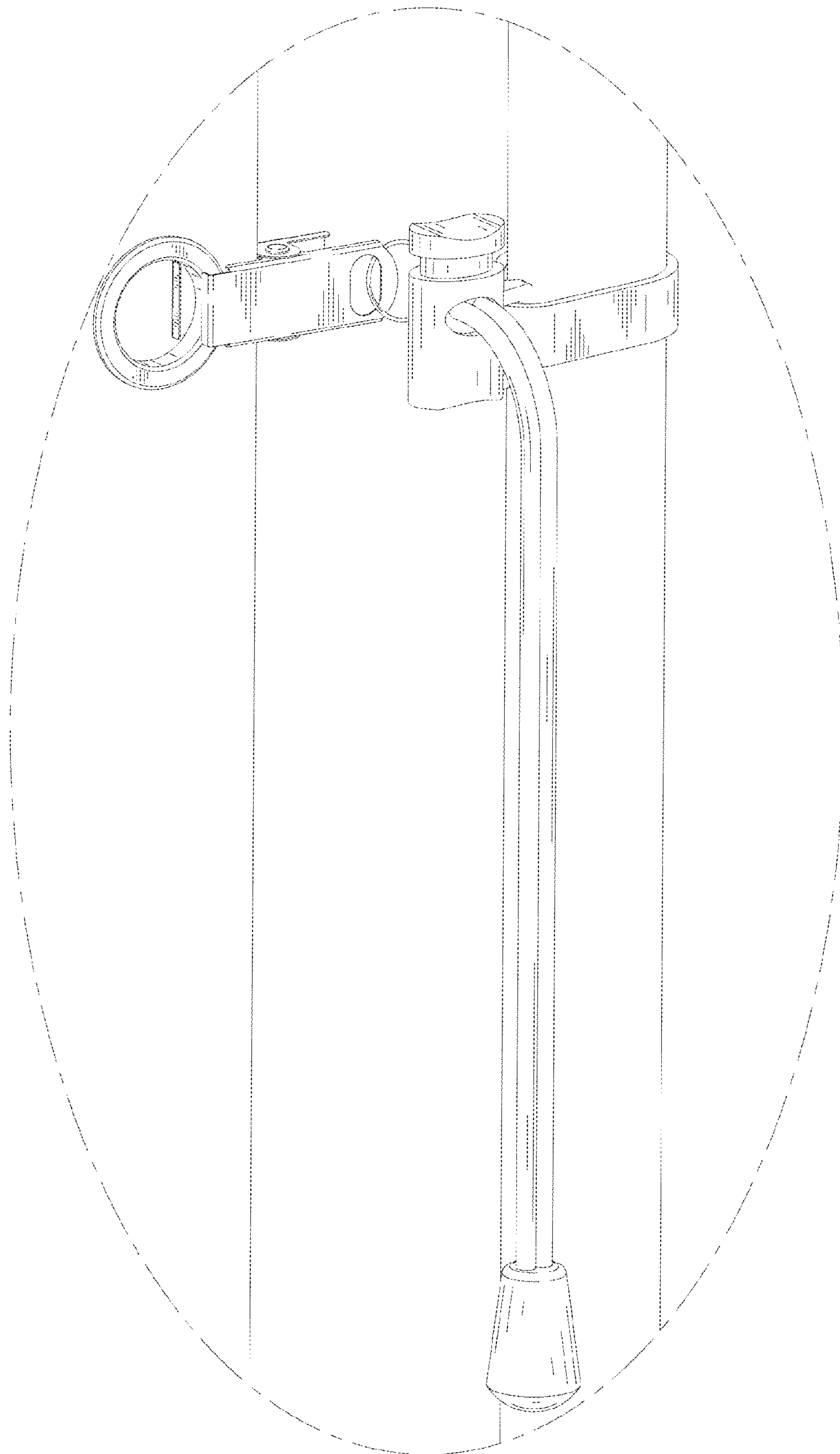


FIG. 10

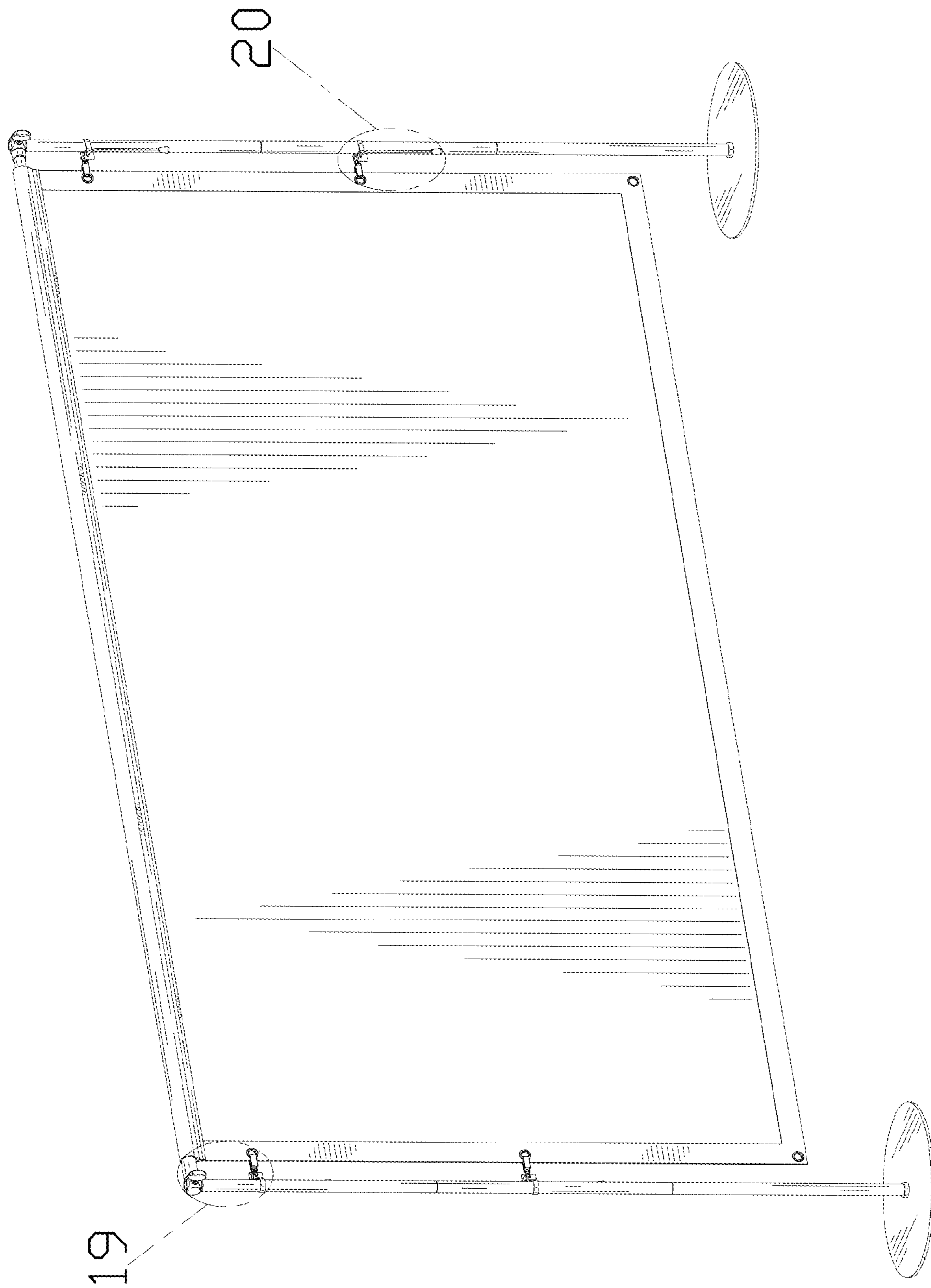


FIG. 11

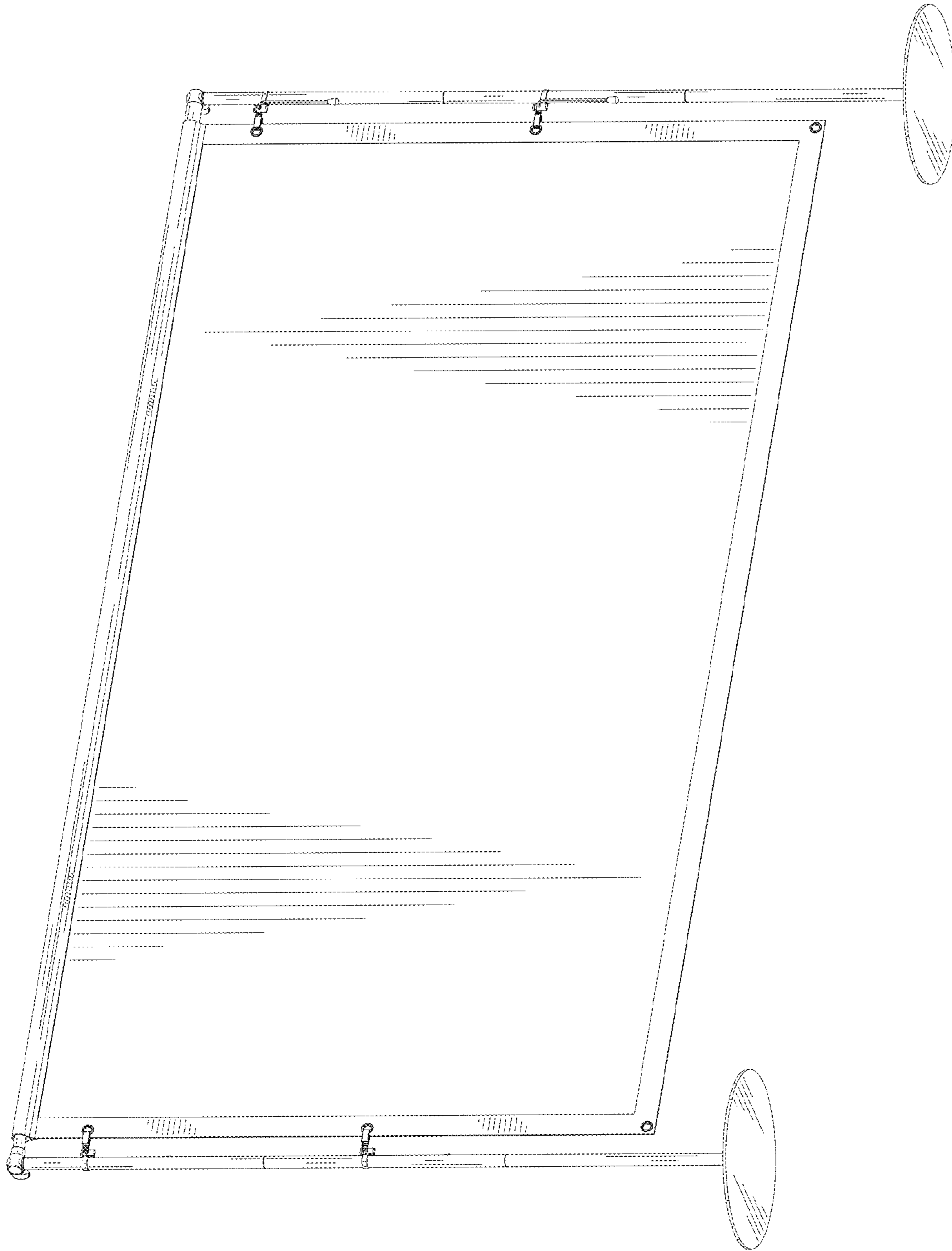


FIG. 12

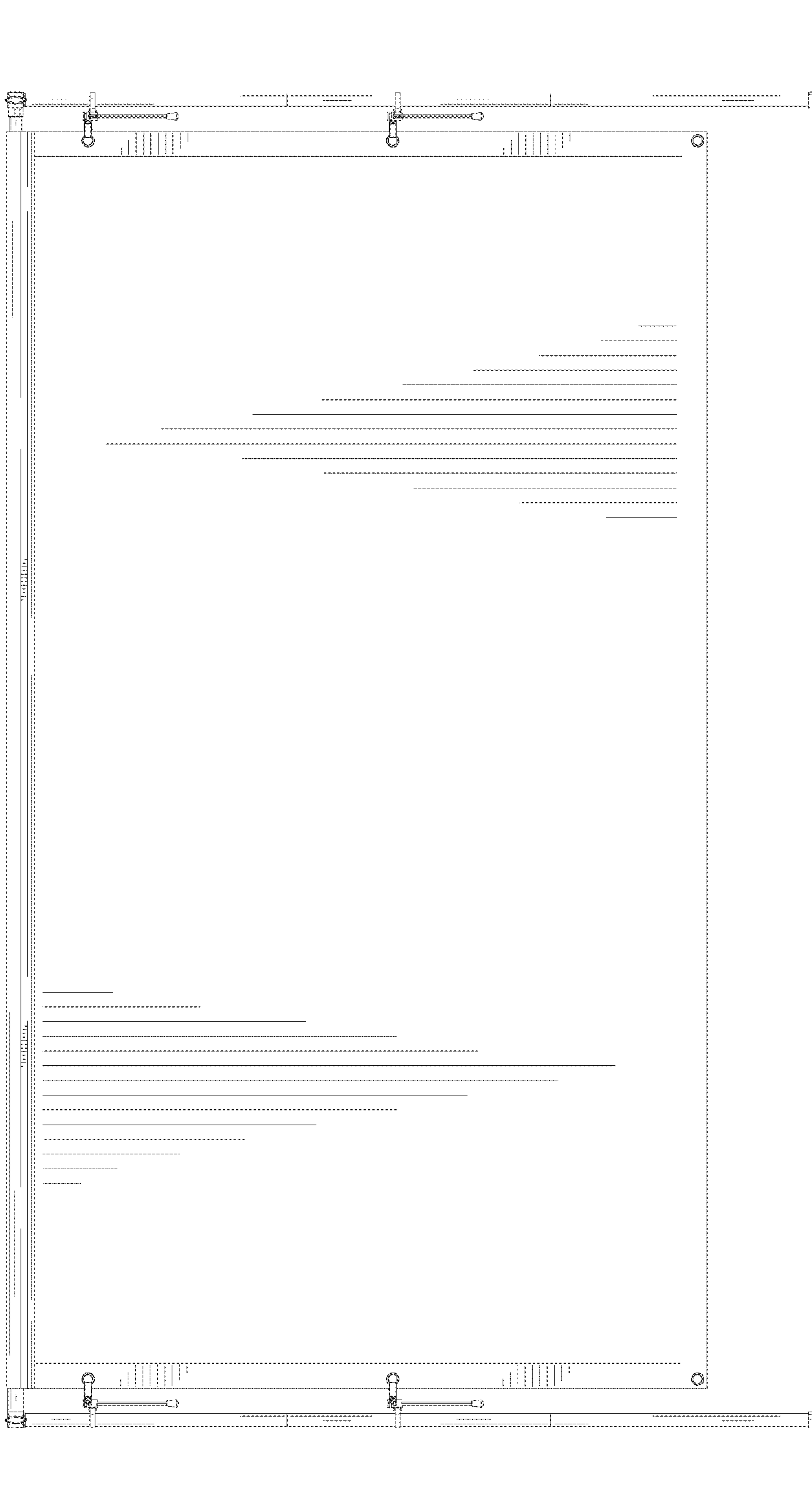


FIG. 13

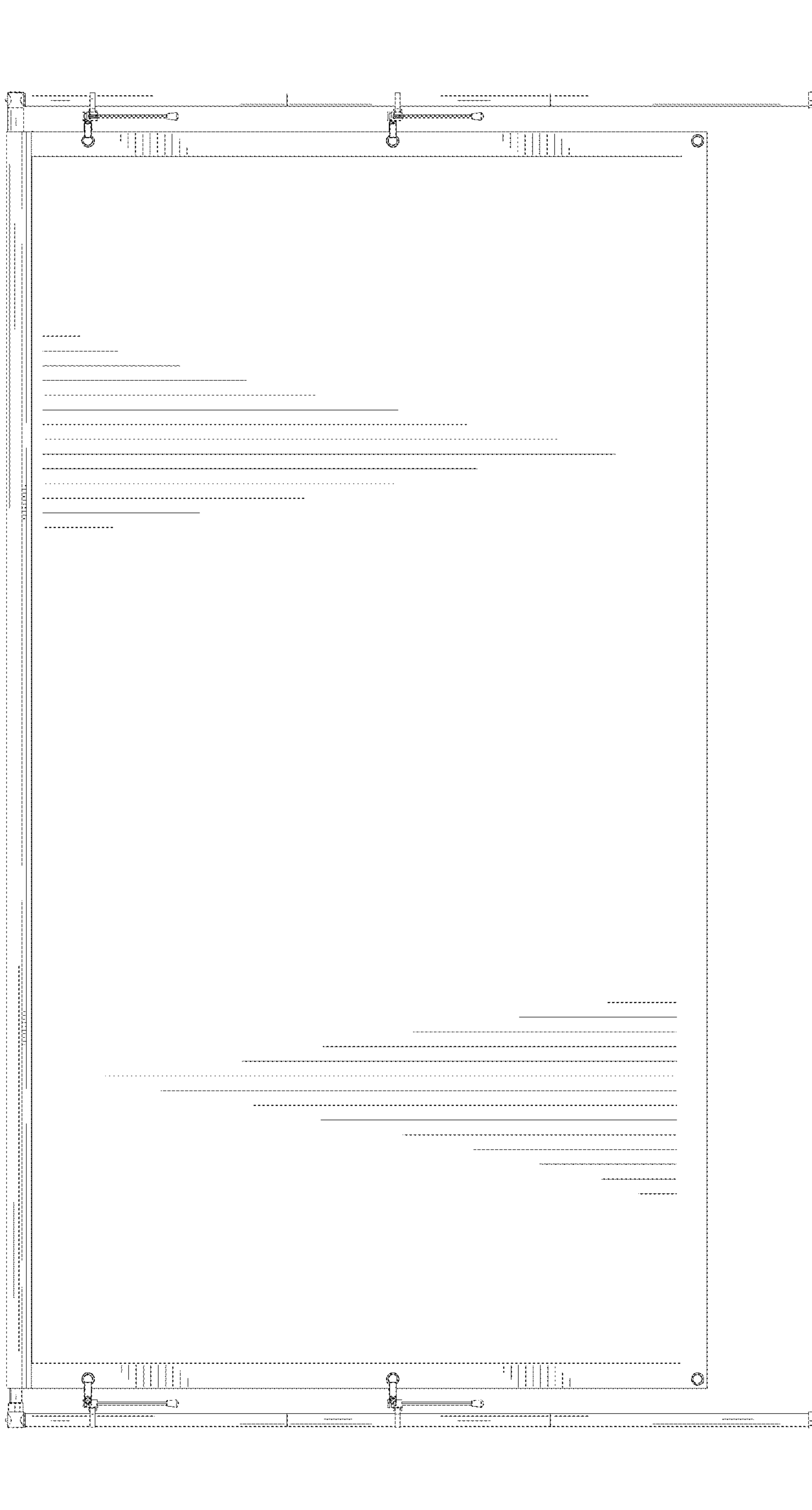


FIG. 14



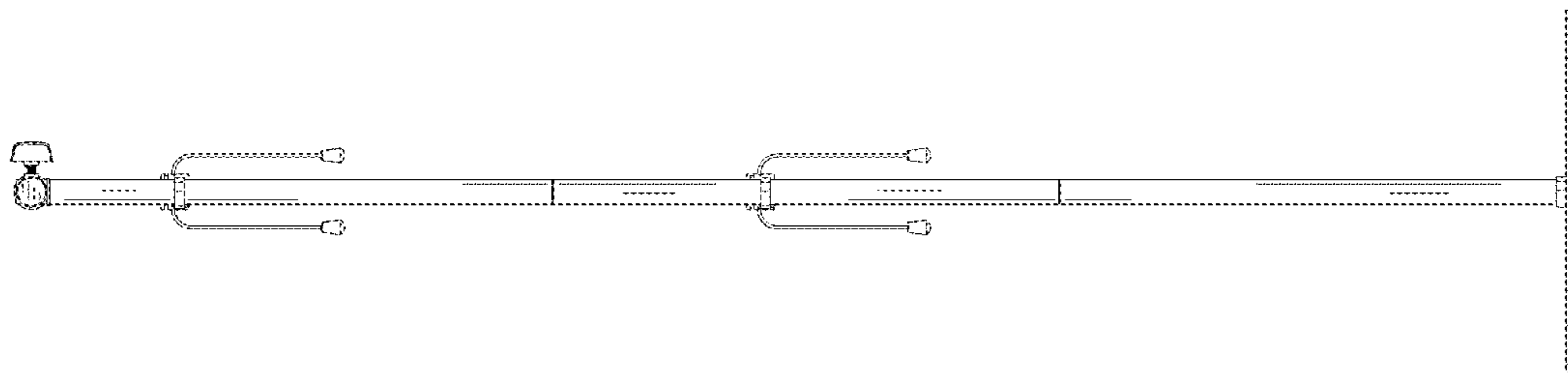


FIG. 15

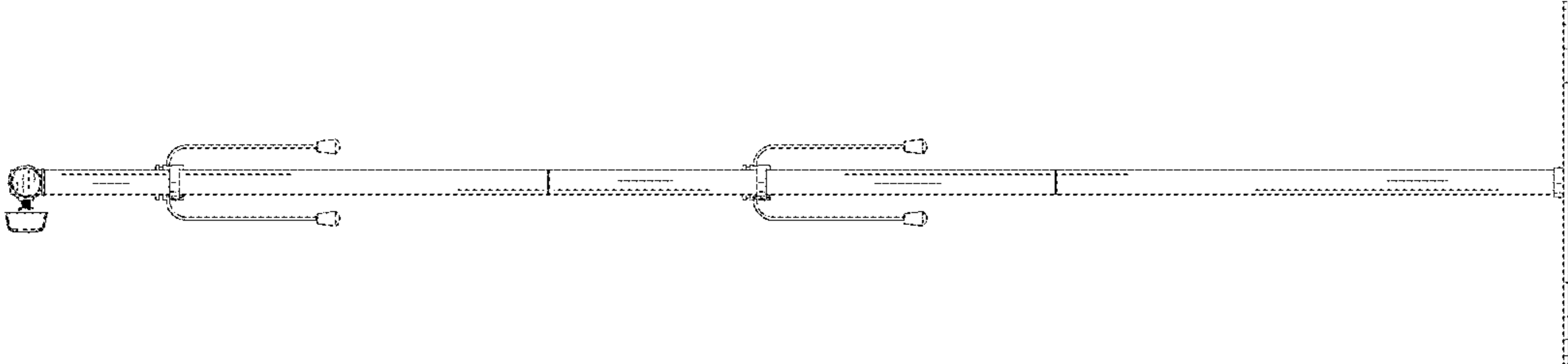


FIG. 16

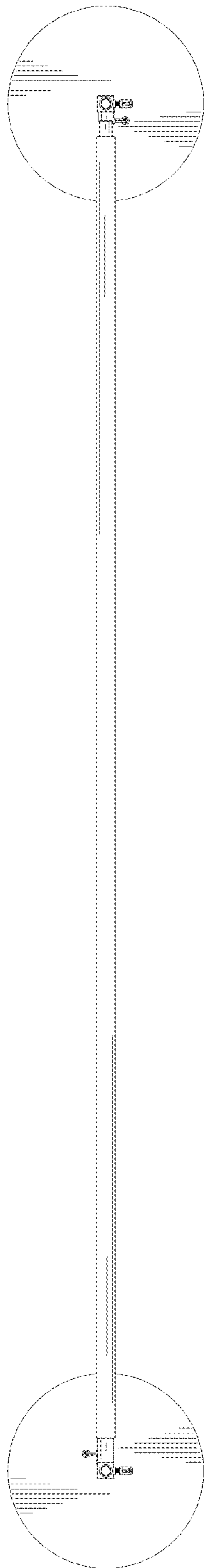


FIG. 17

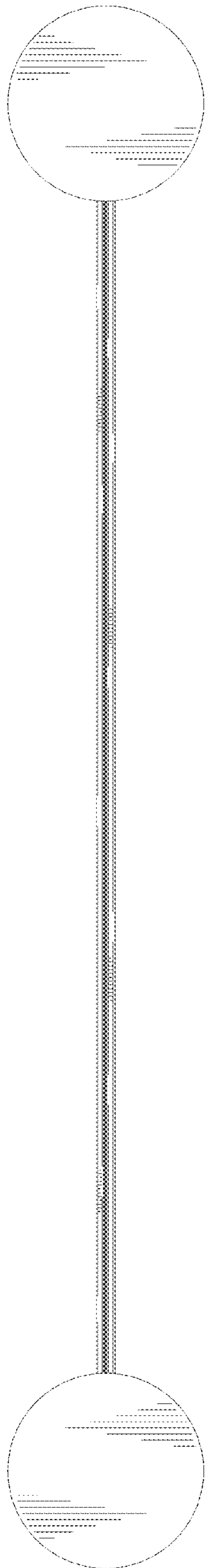


FIG. 18

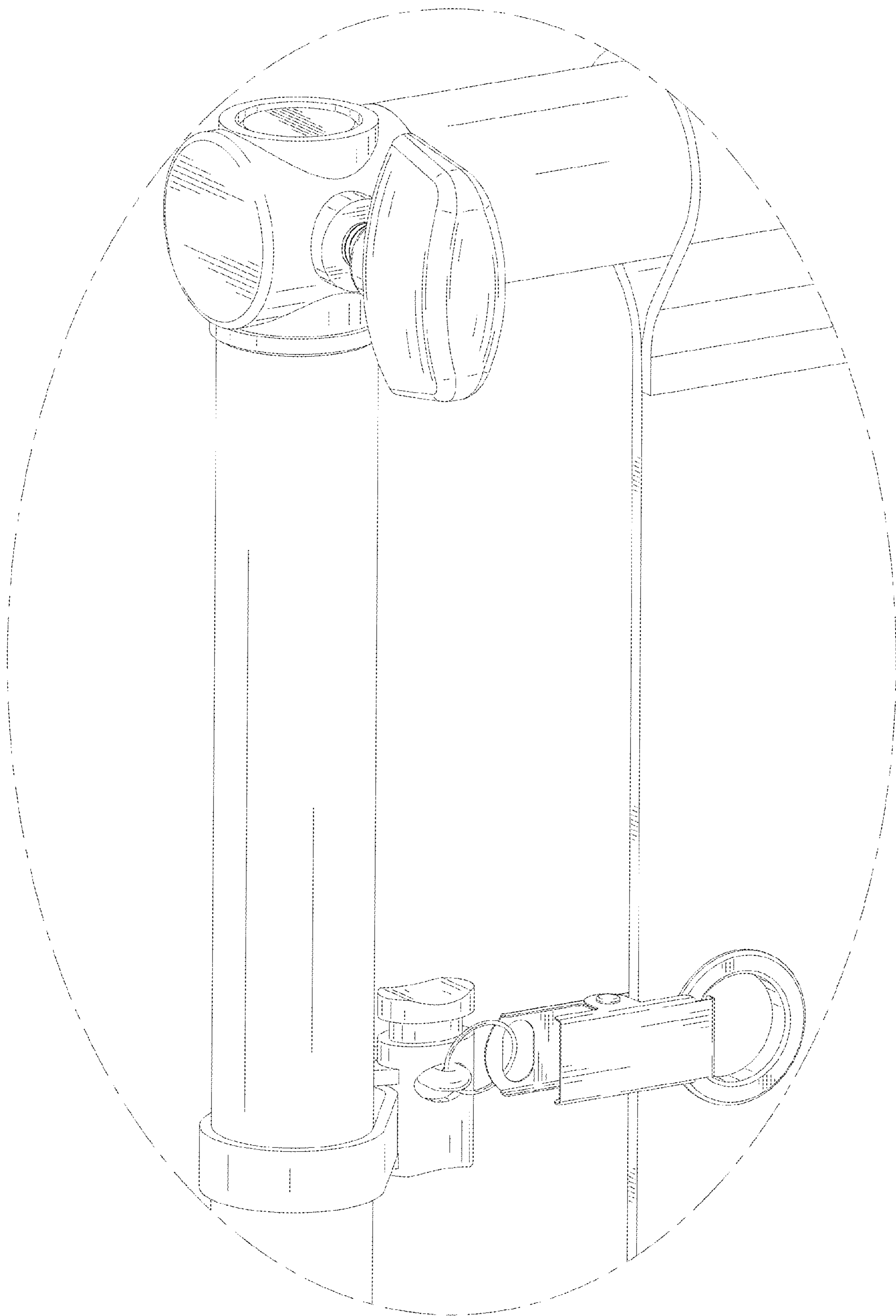


FIG. 19

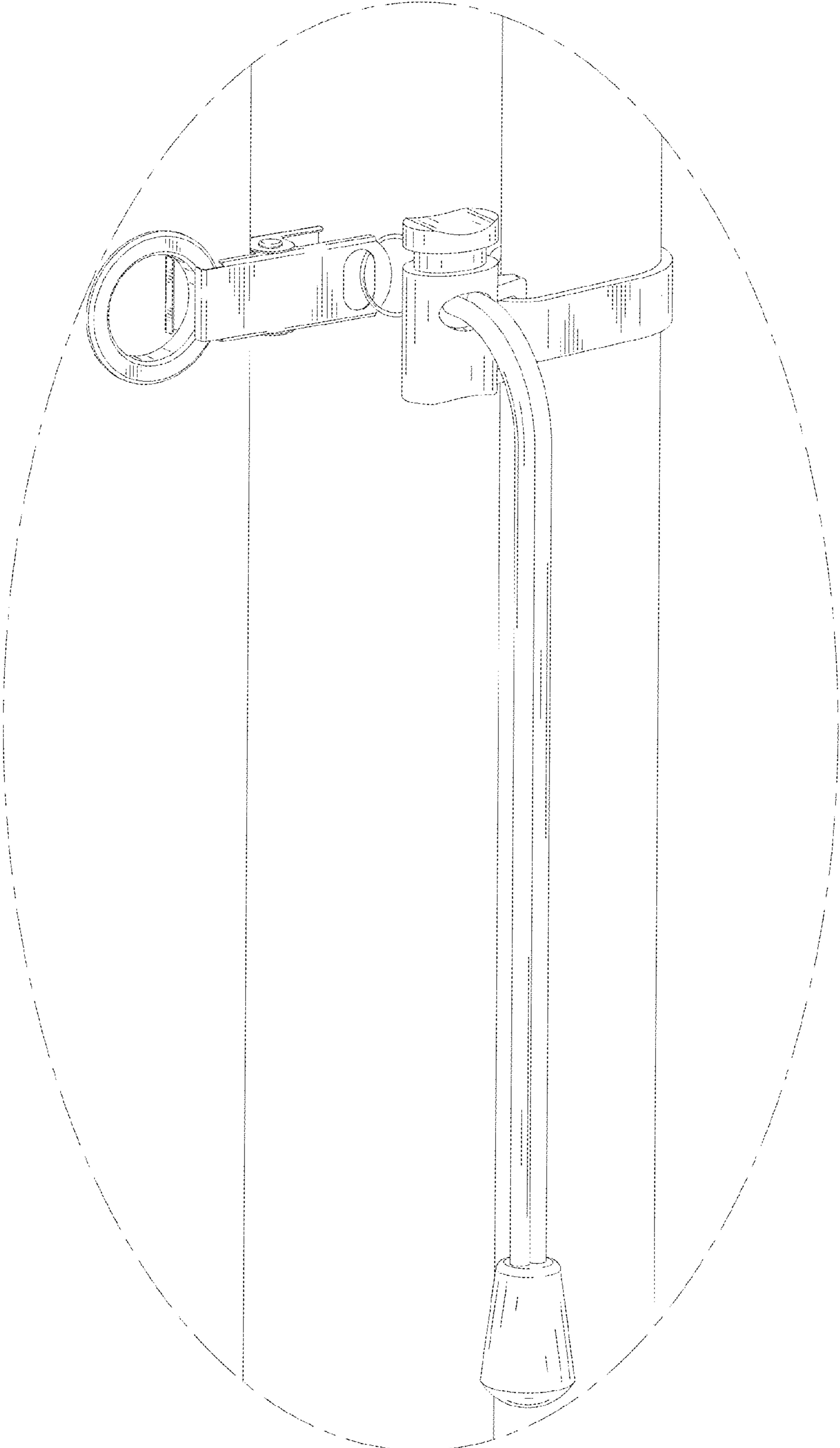


FIG. 20