



US00D971301S

(12) **United States Design Patent** (10) **Patent No.:** **US D971,301 S**
Lin (45) **Date of Patent:** **** Nov. 29, 2022**

(54) **PROJECTOR SCREEN WITH STAND**
(71) Applicant: **YUEQING YOUYOU E-COMMERCE CO., LTD.**, Yueqing (CN)
(72) Inventor: **Dongdong Lin**, Yueqing (CN)
(73) Assignee: **YUEQING YOUYOU E-COMMERCE CO., LTD.**, Yueqing (CN)

(**) Term: **15 Years**

(21) Appl. No.: **29/821,460**

(22) Filed: **Dec. 30, 2021**

(51) **LOC (13) Cl.** **16-05**

(52) **U.S. Cl.**
USPC **D16/241**

(58) **Field of Classification Search**
USPC D16/237-250; D14/238, 251, 253; D6/332, 681
CPC G03B 17/02; G03B 17/56; G03B 17/04; G03B 17/561-566; G03B 15/02; G03B 15/03; H04N 5/2251; H04N 5/2252; H04N 5/2253; H04N 5/2254; G02B 7/02; G02B 7/04; G02B 7/14
See application file for complete search history.

(56) **References Cited**

U.S. PATENT DOCUMENTS

D828,057 S * 9/2018 Yaguchi D6/681
D828,433 S * 9/2018 Zhao D16/241
D833,510 S * 11/2018 Jo D16/241
D875,815 S 2/2020 Fest

D898,106 S * 10/2020 Zhao D16/241
D919,693 S 5/2021 Yang
D919,694 S * 5/2021 Zheng D16/241
D940,228 S * 1/2022 Ke D16/241
D943,018 S * 2/2022 Feng D16/244
D947,926 S * 4/2022 Tian D16/244
D955,465 S * 6/2022 Rong D16/241
D962,326 S * 8/2022 Feng D16/244
D963,029 S * 9/2022 Lin D16/241
D965,054 S * 9/2022 Feng D16/244

* cited by examiner

Primary Examiner — Ramzi Almatrahi

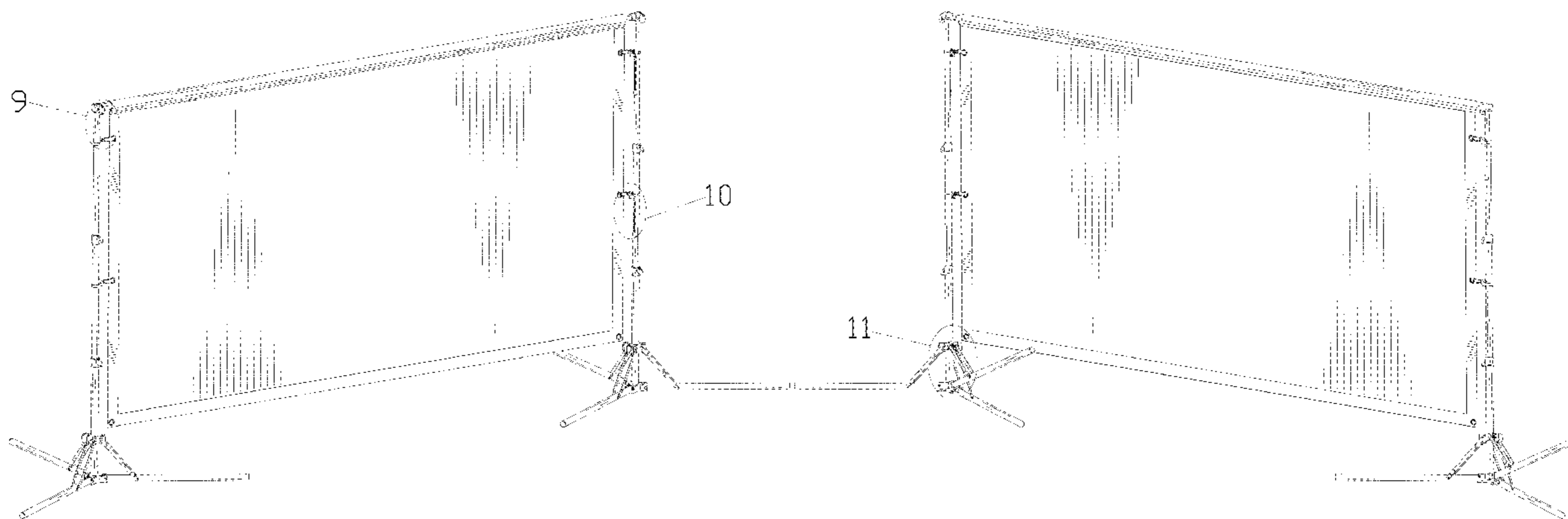
(57) **CLAIM**

The ornamental design for a projector screen with stand, as shown and described.

DESCRIPTION

FIG. 1 is a top, front and left side perspective view of a projector screen with stand showing my new design; FIG. 2 is a bottom, rear and right side perspective view thereof; FIG. 3 is a front elevational view thereof; FIG. 4 is a rear elevational view thereof; FIG. 5 is a left side elevational view thereof; FIG. 6 is a right side elevational view thereof; FIG. 7 is a top plan view thereof; FIG. 8 is a bottom plan view thereof; FIG. 9 is an enlarged view of portion 9 shown in FIG. 1; FIG. 10 is an enlarged view of portion 10 shown in FIG. 1; and, FIG. 11 is an enlarged view of portion 11 shown in FIG. 2. The dot-dash broken lines represent boundaries of the enlarged portions and form no part of the claimed design.

1 Claim, 11 Drawing Sheets



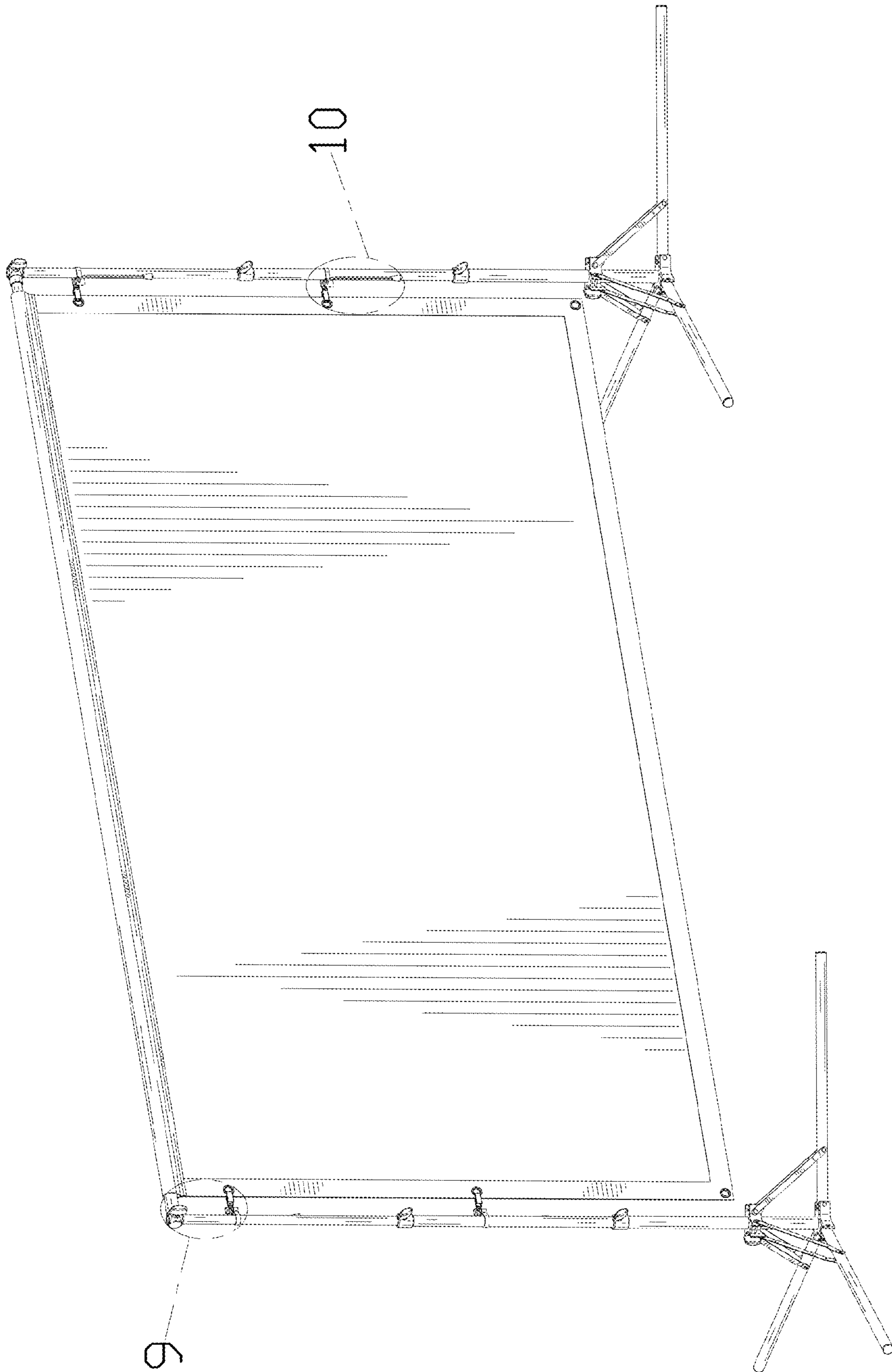


FIG. 1

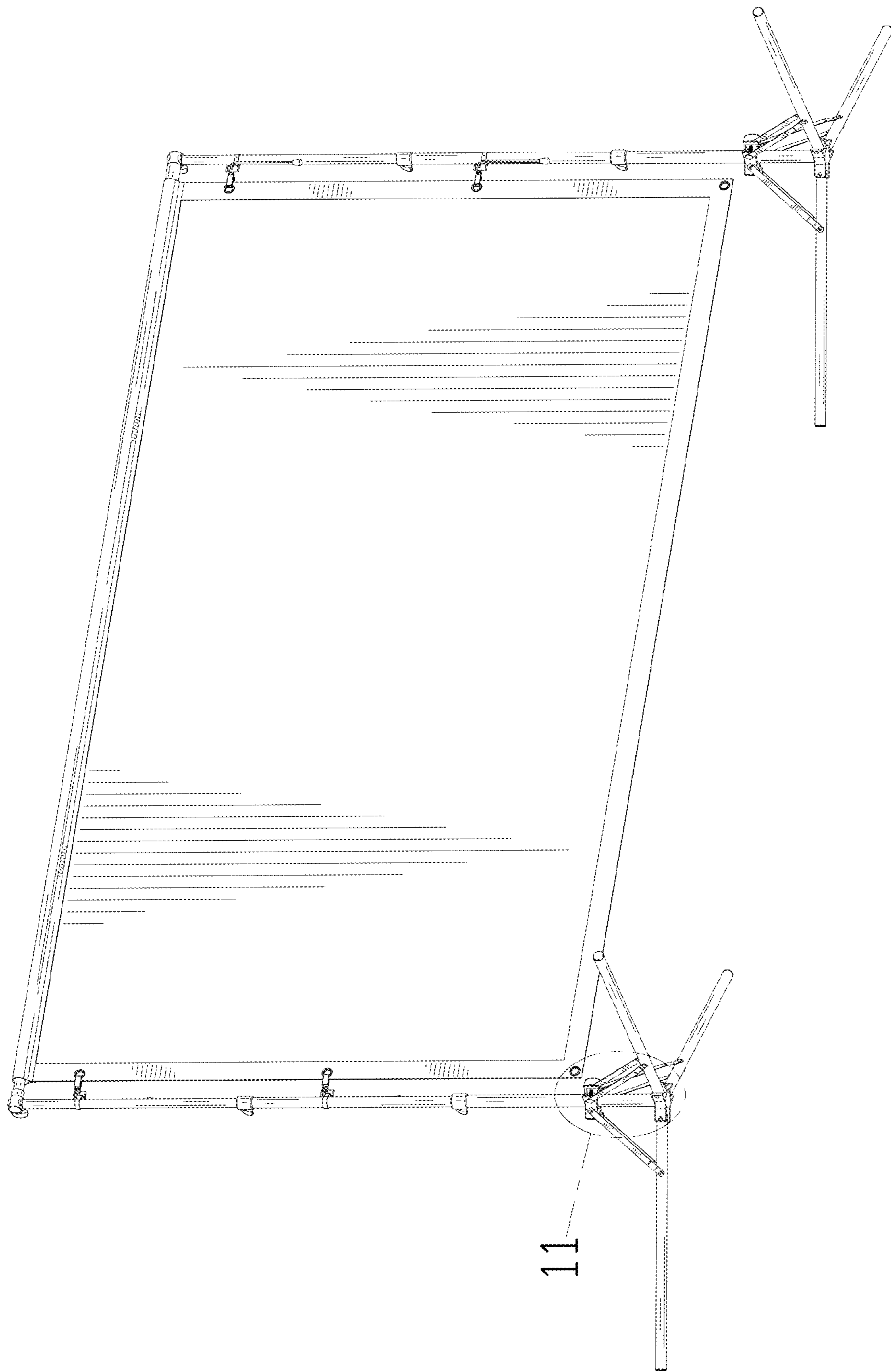


FIG. 2

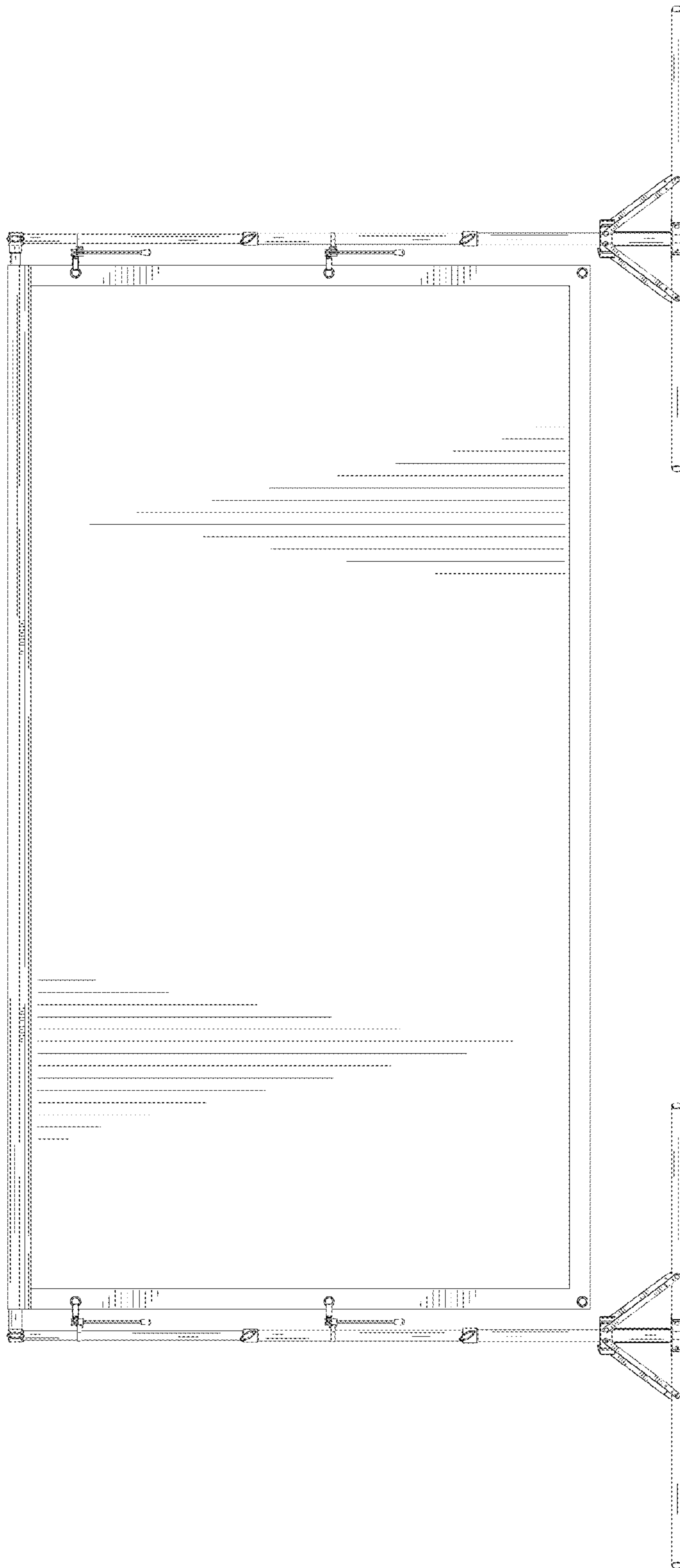


FIG. 3

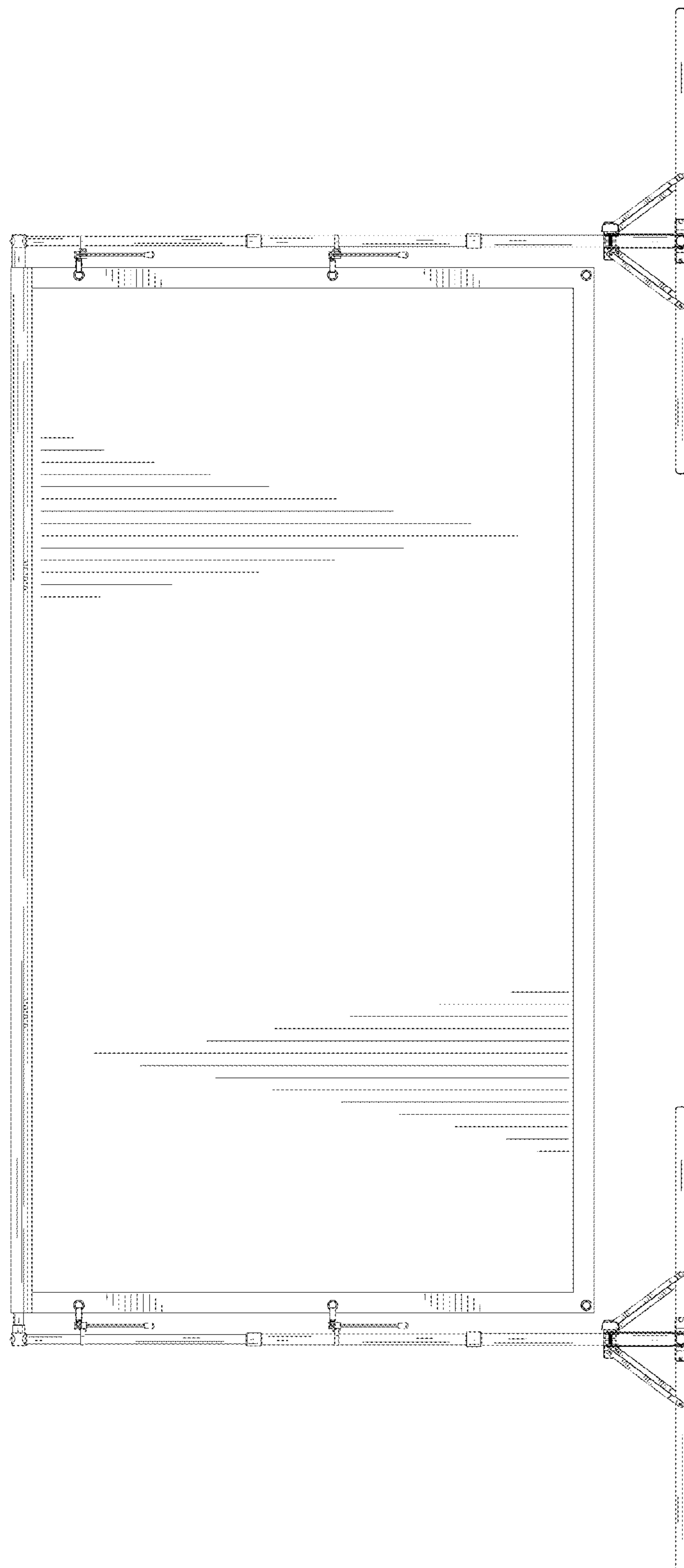


FIG. 4

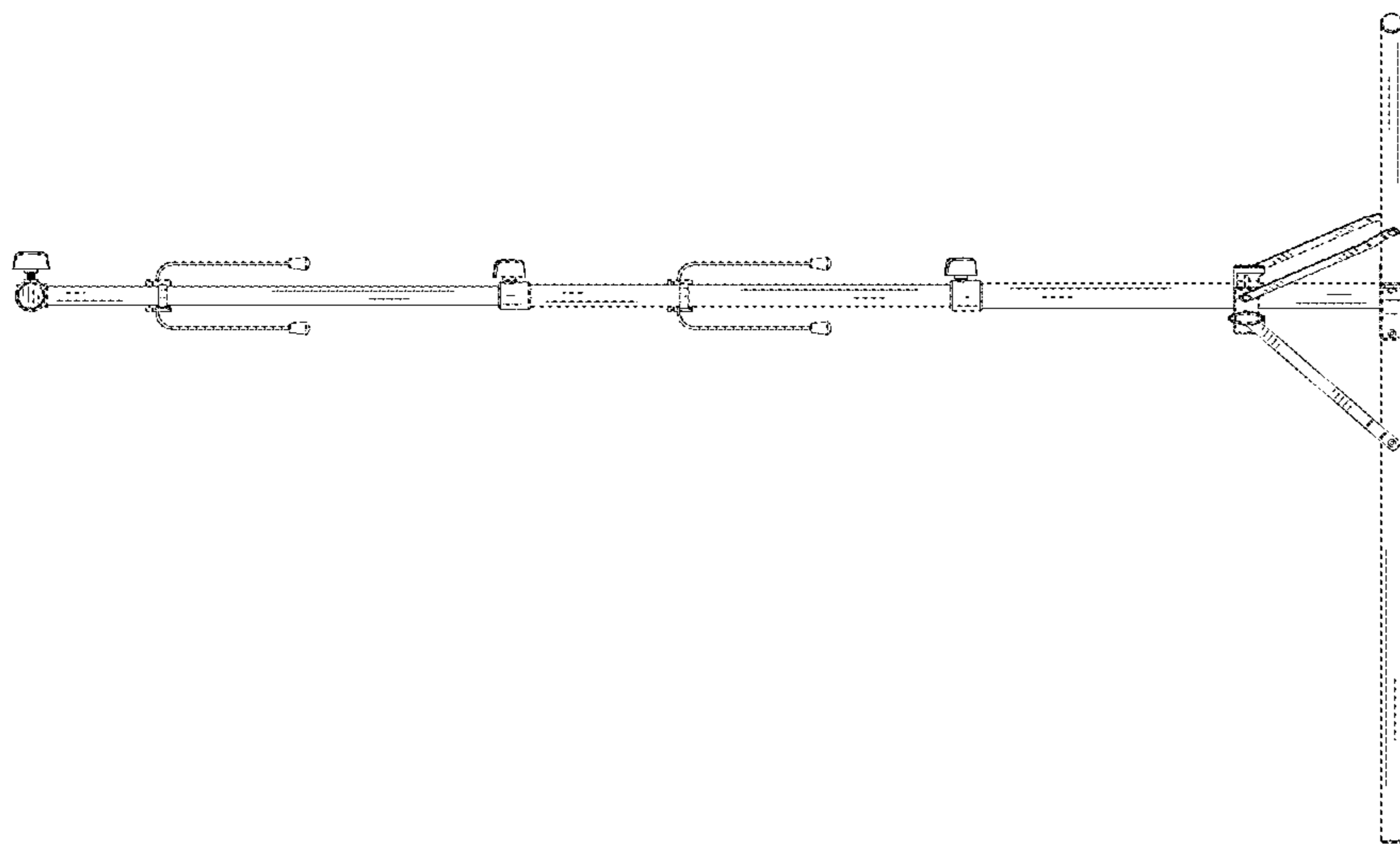


FIG. 5

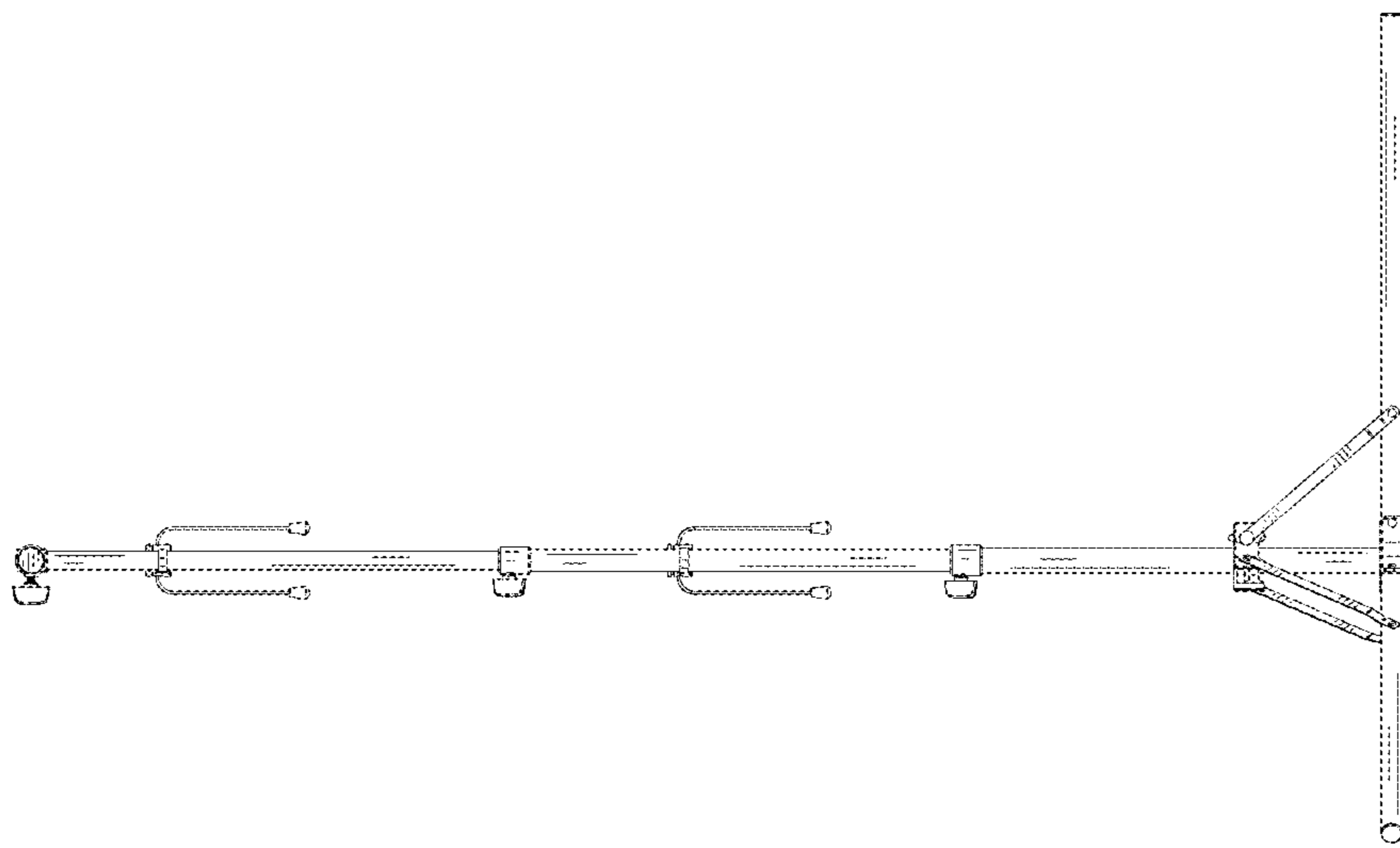


FIG. 6

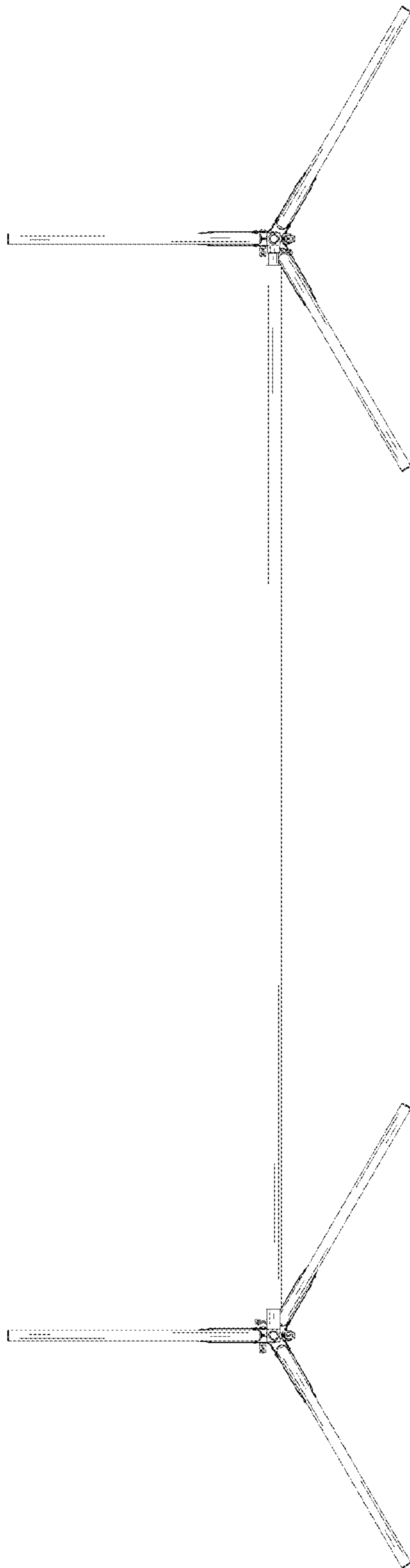


FIG. 7

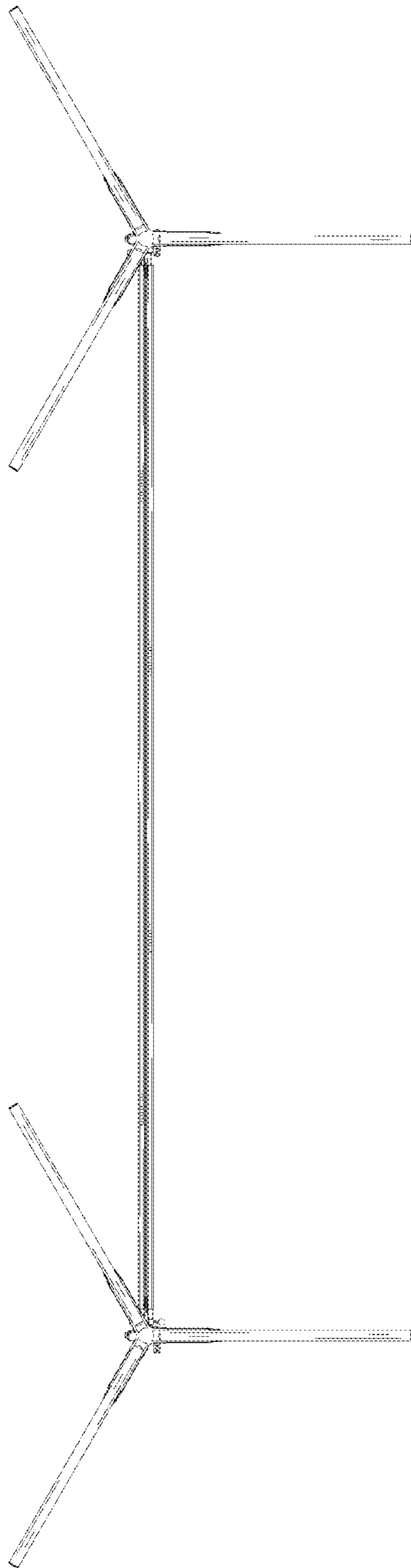


FIG. 8

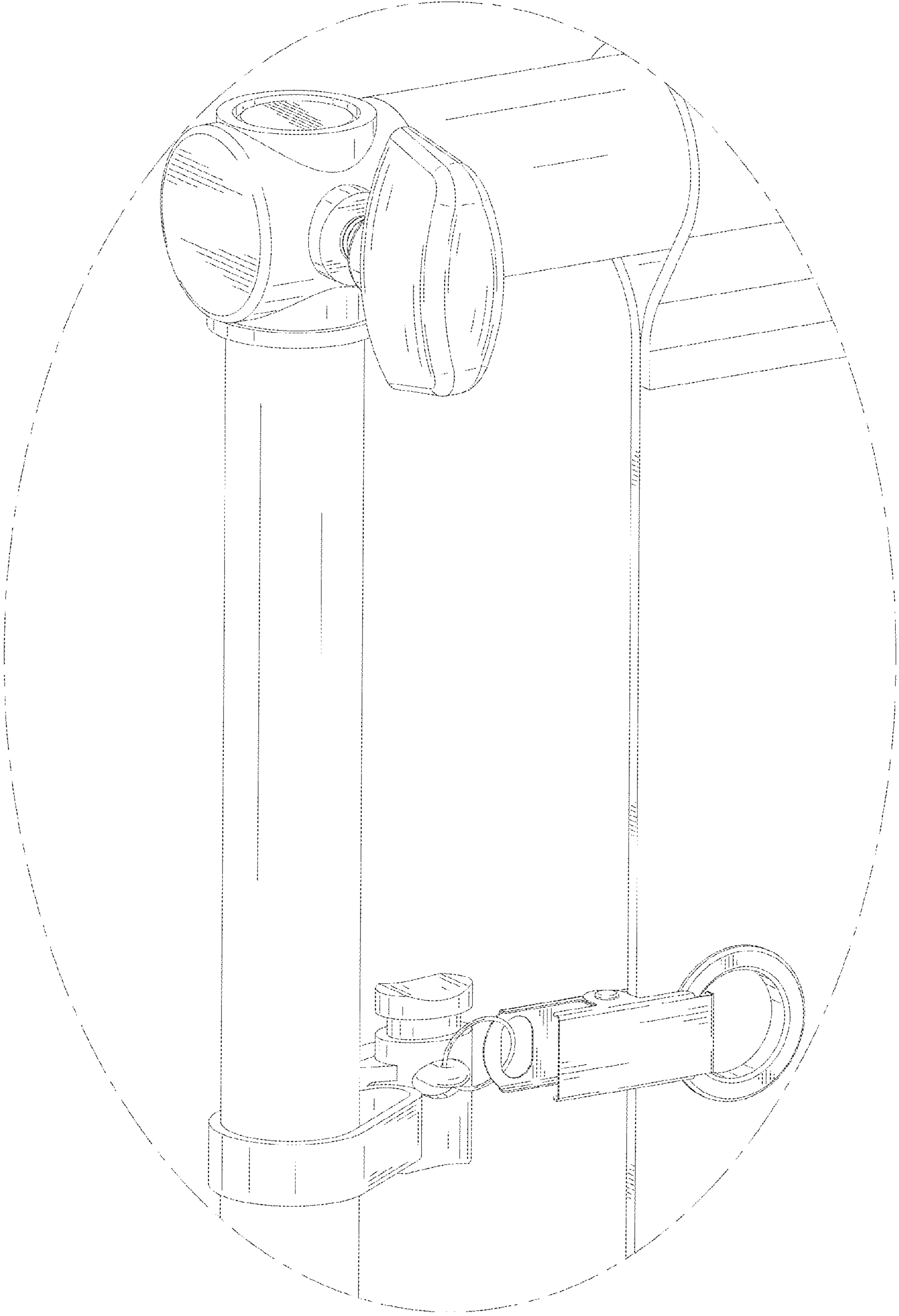


FIG. 9

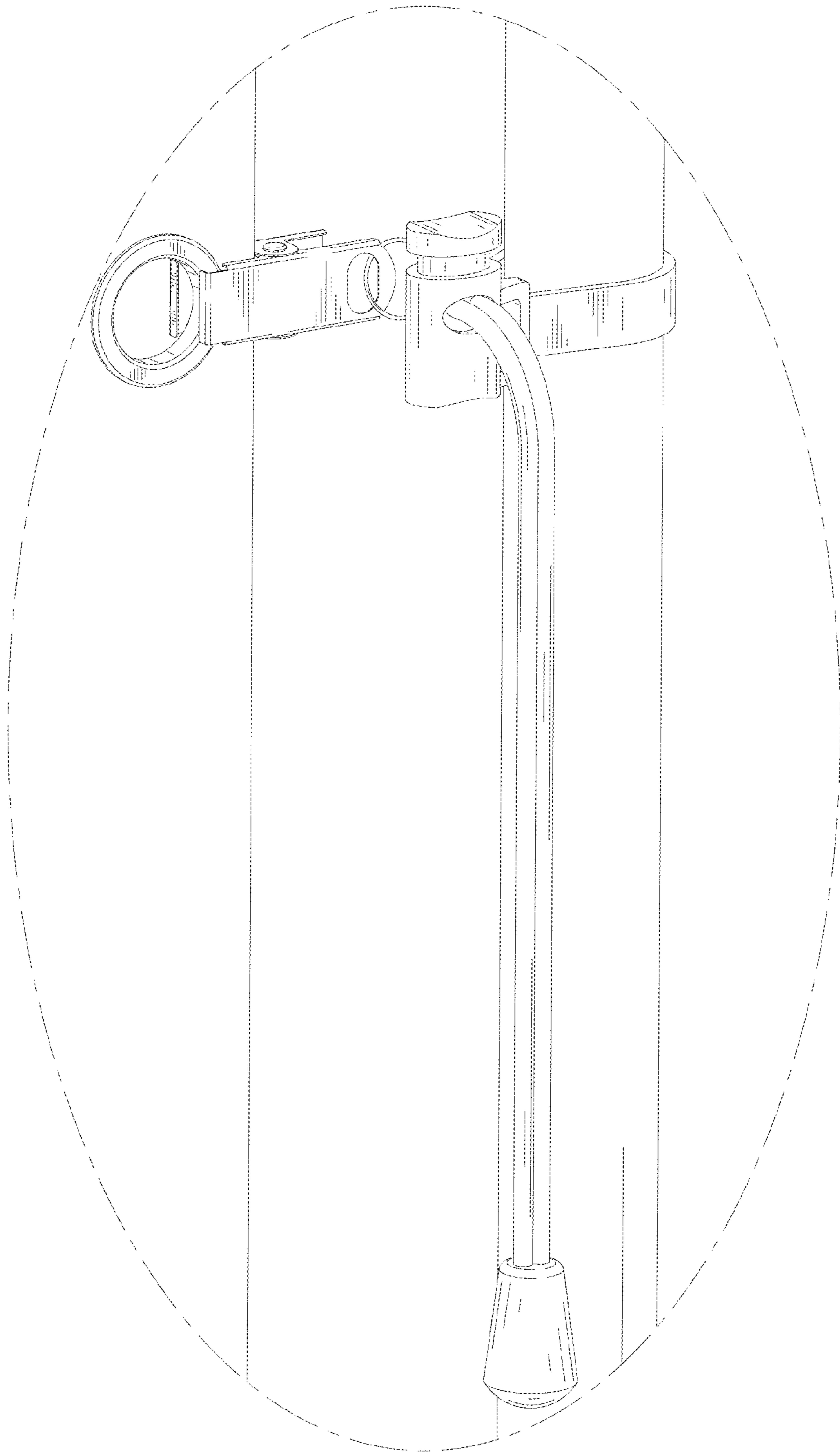


FIG. 10

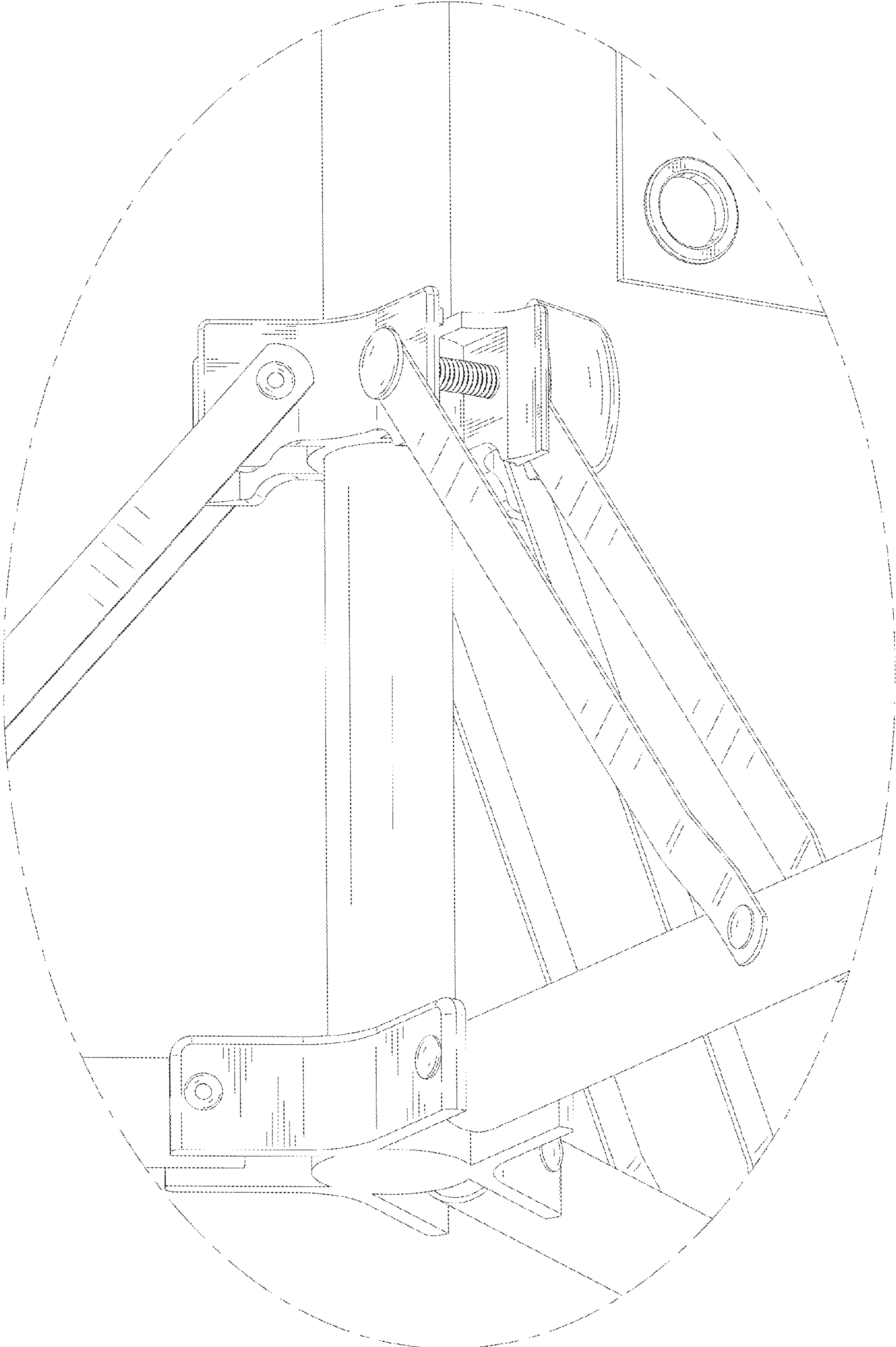


FIG. 11