



US00D971300S

(12) **United States Design Patent**
Chen

(10) **Patent No.:** **US D971,300 S**
(45) **Date of Patent:** **** Nov. 29, 2022**

(54) **BACKDROP SUPPORT STAND**

(71) Applicant: **Lingyan Chen**, Shaoxing (CN)

(72) Inventor: **Lingyan Chen**, Shaoxing (CN)

(**) Term: **15 Years**

(21) Appl. No.: **29/783,200**

(22) Filed: **May 12, 2021**

(51) **LOC (13) Cl.** **16-05**

(52) **U.S. Cl.**
USPC **D16/241**; D16/244

(58) **Field of Classification Search**
USPC D10/100; D16/237-250; D6/681, 332,
D6/512, 546; D8/349, 354, 363, 373,
D8/380

CPC F16M 11/16; F16M 11/28; F16M 1/00;
F16M 1/02; F16M 11/02; F16M 11/00;
F16M 11/20; F16M 11/42; F16M 13/00;
F16M 13/02; F16M 2200/02; F16M
2200/00; F16M 2200/04; F16M 2200/06;
F16B 7/1418; F16B 7/0486; F16B
7/1472; G03B 15/02; F21V 21/26

See application file for complete search history.

(56) **References Cited**

U.S. PATENT DOCUMENTS

D684,209 S *	6/2013	Measom	D16/241
9,051,751 B2 *	6/2015	Ogilvie	E04H 15/005
D828,057 S *	9/2018	Yaguchi	D6/681
D845,376 S	4/2019	Kim		
D849,726 S *	5/2019	Cai	D16/242
D864,599 S *	10/2019	Yamamoto	D6/332
D866,201 S *	11/2019	Ogilvie	D6/332
D878,469 S *	3/2020	Kinner	D21/301
D898,106 S *	10/2020	Zhao	D16/241
10,794,113 B2 *	10/2020	Tapley	E06B 9/24
D919,693 S *	5/2021	Yang	D16/241
D940,228 S *	1/2022	Ke	D16/241

(Continued)

FOREIGN PATENT DOCUMENTS

CN	306480610	*	9/2020
CN	306795806	*	3/2021

(Continued)

OTHER PUBLICATIONS

Maxztill Store, Backdrop Support Stand, Date first available Jan. 21, 2021, [online]retrieved Feb. 11, 2022,available from https://www.amazon.com/dp/B08TM3356Y/ref=sspa_dk_detail_4?psc=1&pd_rd_w=qw2tf&pf_rd_p=57cbdc41-b731-4e3d-aca7-49078b13a07b&pd_rd (Year: 2021).*

(Continued)

Primary Examiner — Keli L Hill
Assistant Examiner — Sara S Sahneh

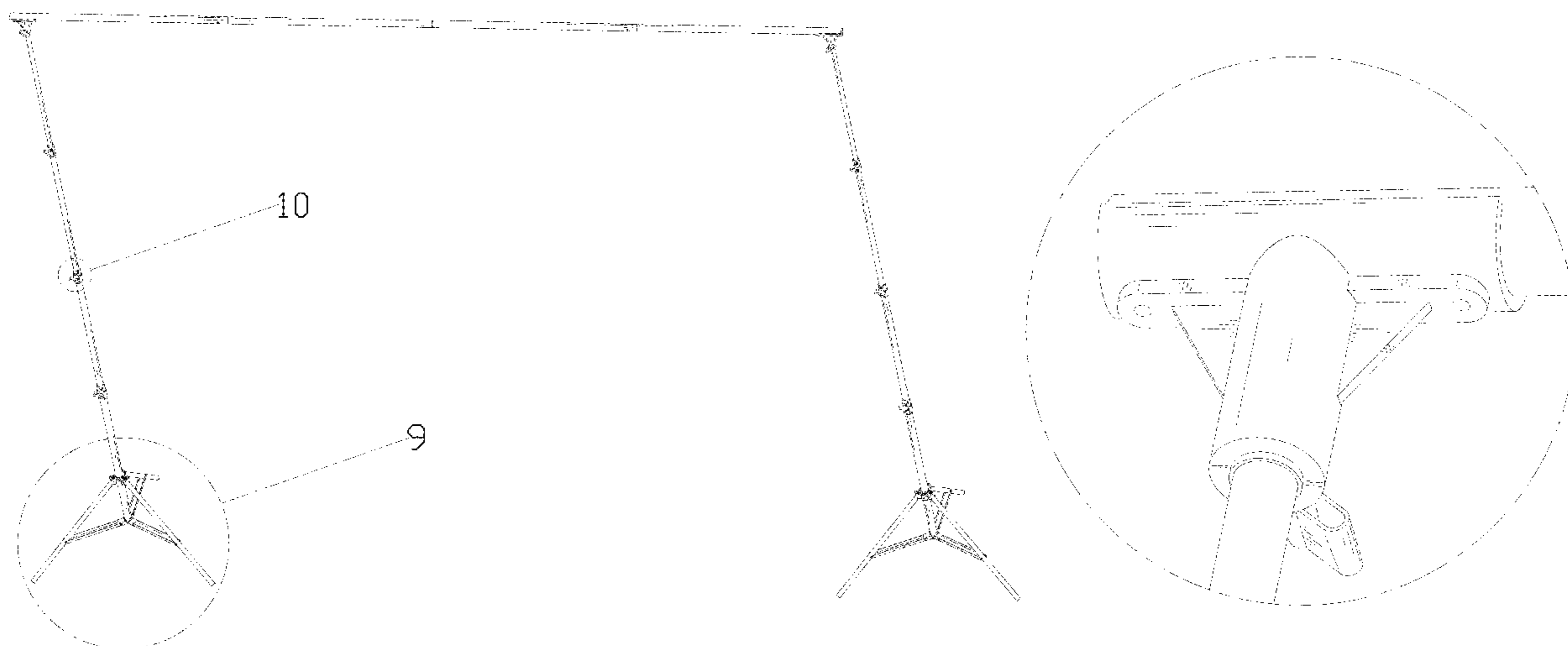
(57) **CLAIM**

The ornamental design for a backdrop support stand, as shown and described.

DESCRIPTION

FIG. 1 is a perspective view of a backdrop support stand showing my new design;
FIG. 2 is another perspective view thereof;
FIG. 3 is a front elevational view thereof;
FIG. 4 is a rear elevational view thereof;
FIG. 5 is a left side elevational view thereof;
FIG. 6 is a right side elevational view thereof;
FIG. 7 is a top plan view thereof;
FIG. 8 is a bottom plan view thereof;
FIG. 9 is an enlarged view of portion 9 shown in FIG. 1;
FIG. 10 is an enlarged view of portion 10 shown in FIG. 1; and,
FIG. 11 is an enlarged view of portion 11 shown in FIG. 2.
The broken lines in the drawings depict portions of the backdrop support stand that form no part of the claimed design.

1 Claim, 11 Drawing Sheets



(56)

References Cited

U.S. PATENT DOCUMENTS

D943,018 S * 2/2022 Feng D16/244
D947,926 S * 4/2022 Tian D16/244
D962,326 S * 8/2022 Feng D16/244
D963,029 S * 9/2022 Lin D16/241
2015/0008201 A1* 1/2015 Qiang D06F 57/06
211/199
2020/0209715 A1 7/2020 Christensen

FOREIGN PATENT DOCUMENTS

CN 307019829 * 8/2021
CN 307019832 * 9/2021
GB 6122525 * 3/2021
GB 6148522 * 7/2021
JP D1621150 * 8/2018

OTHER PUBLICATIONS

Maxztill Store, Backdrop Support Stand, Date first available Sep. 18, 2020, [online]retrieved Feb. 11, 2022,available from https://www.amazon.com/dp/B08JG9D3WC/ref=sspa_dk_detail_1?psc=1&pd_rd_w=oFCBv&pf_rd_p=b9951ce4-3bd8-4b04-9123-0fda35d6155e&pd_ (Year: 2020).*

* cited by examiner

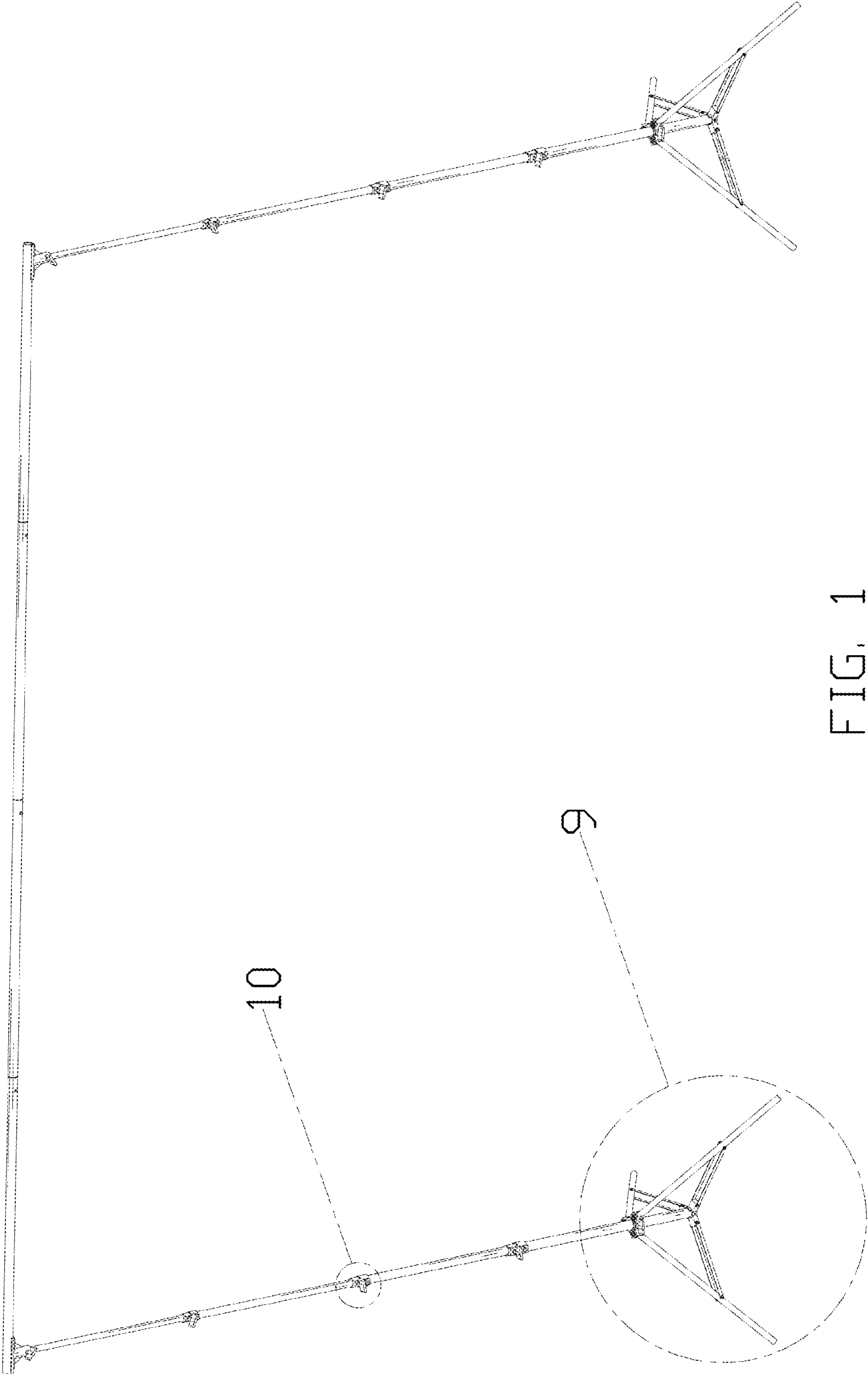


FIG. 1

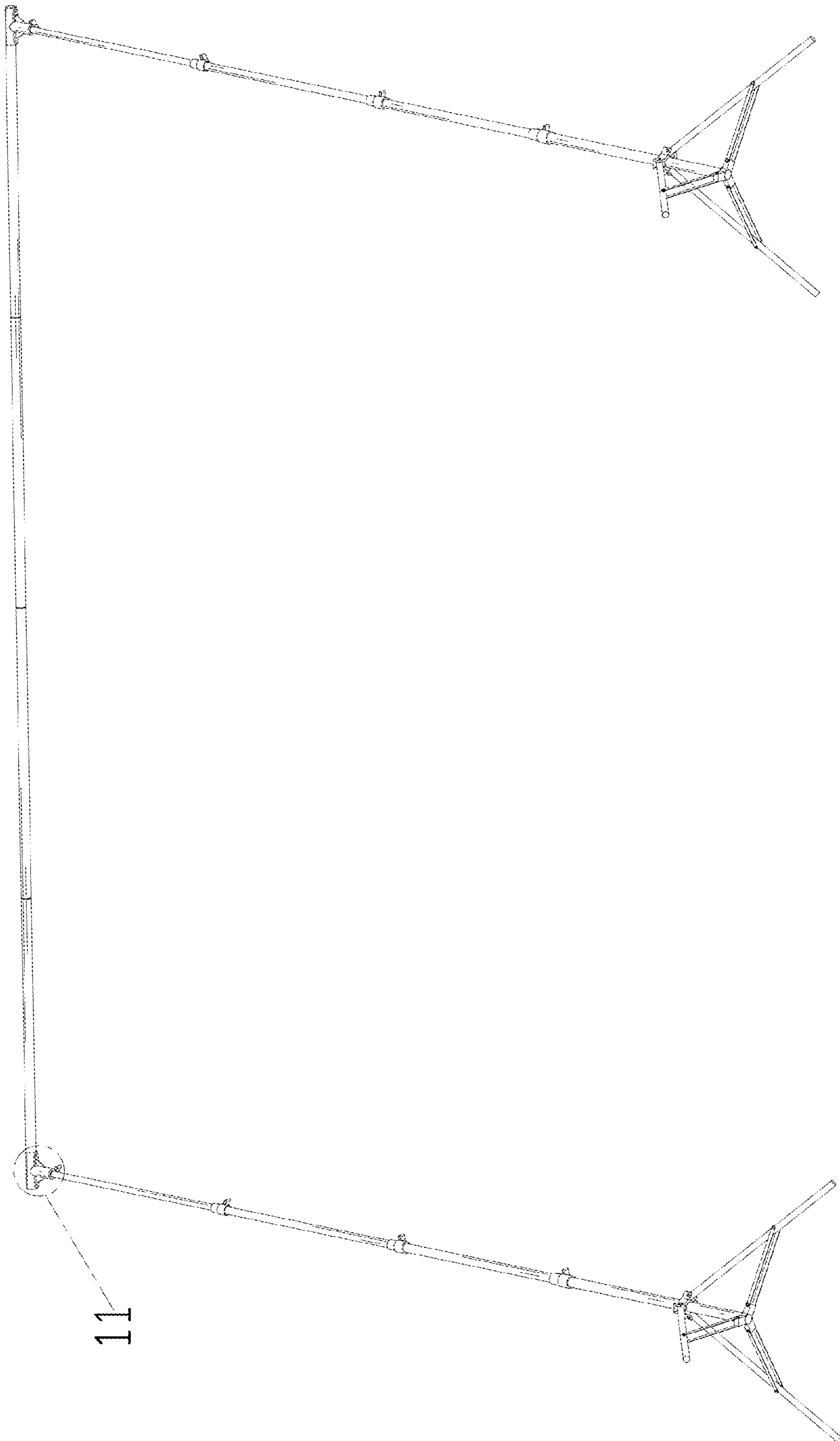


FIG. 2

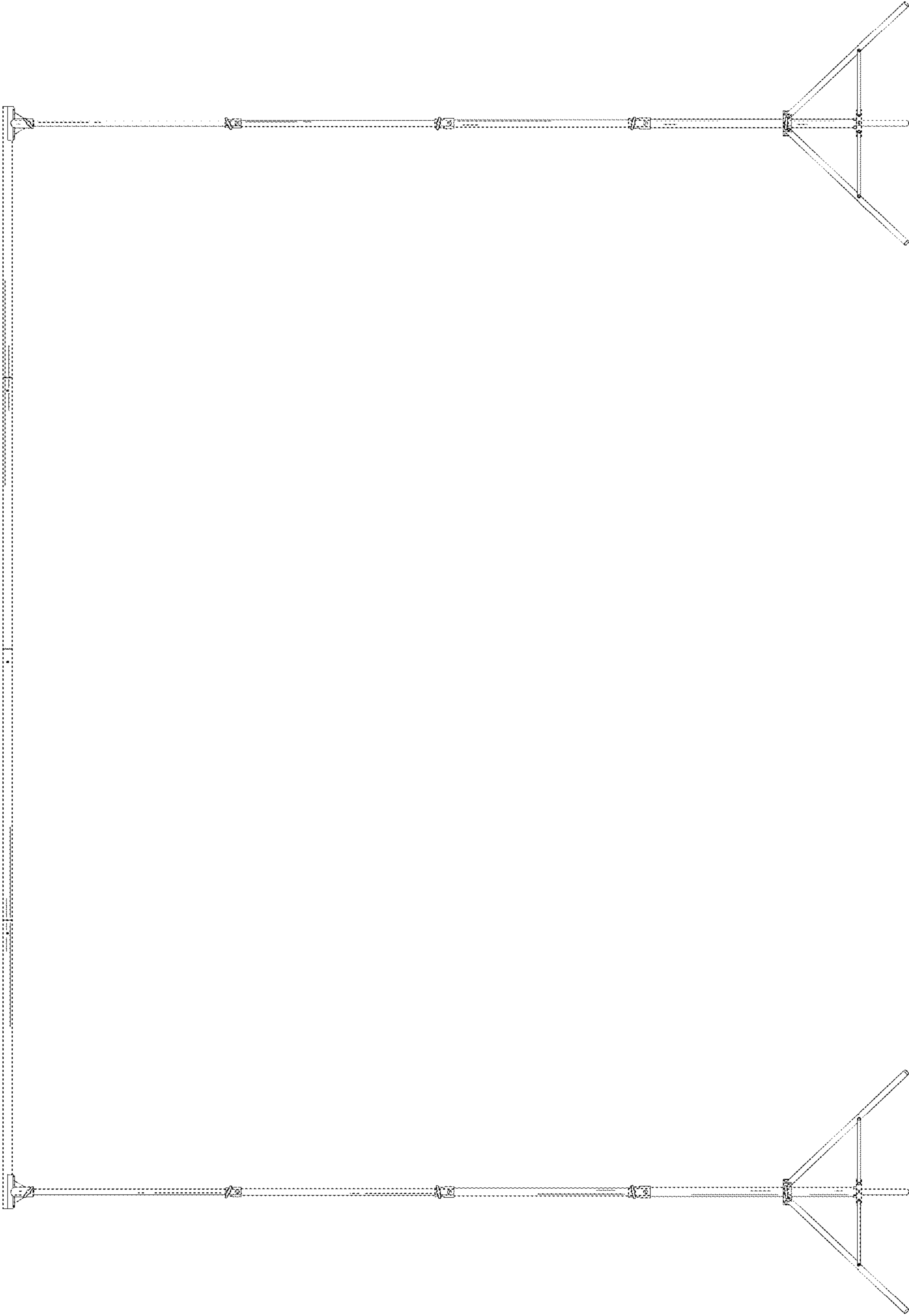


FIG. 3

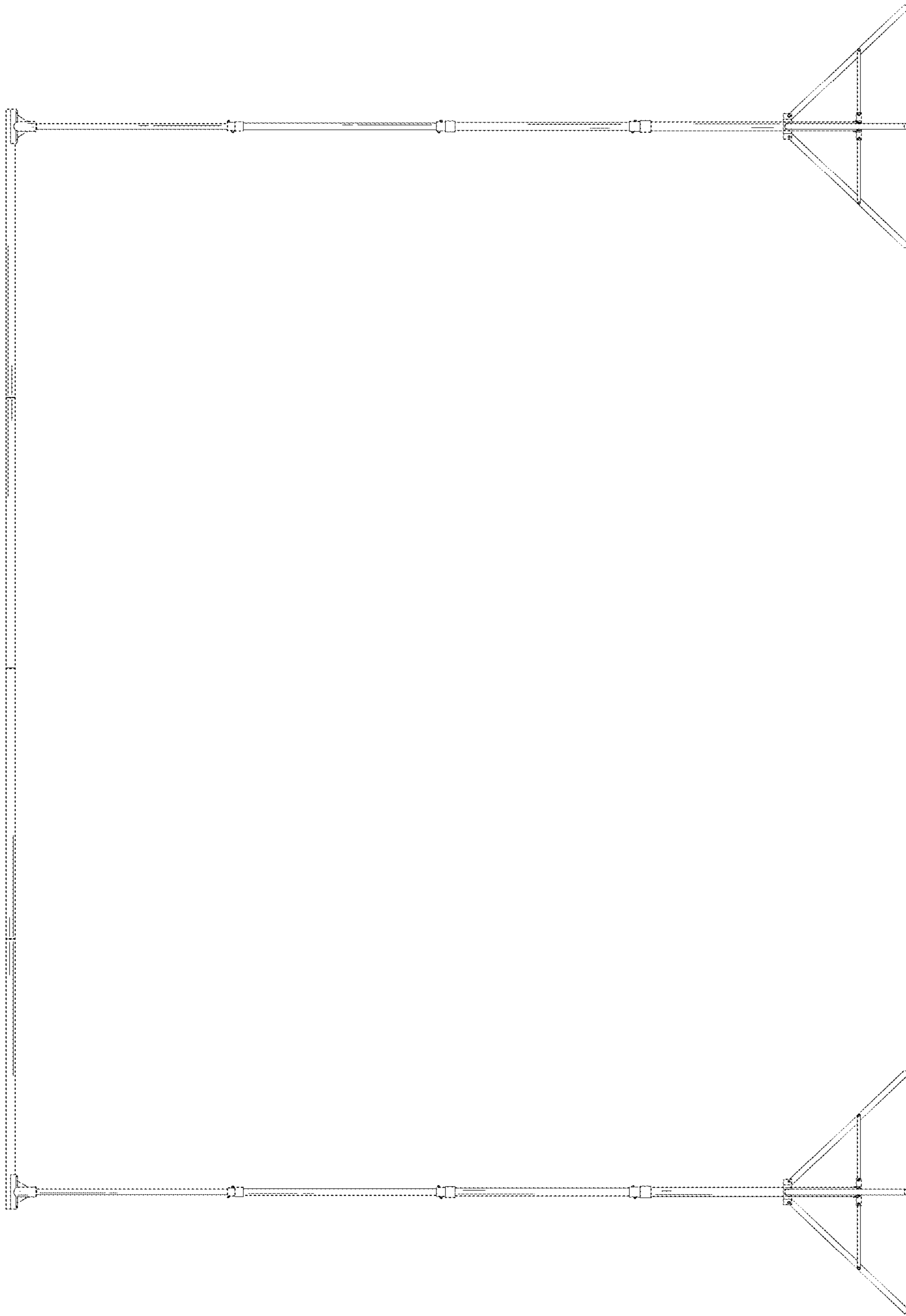


FIG. 4

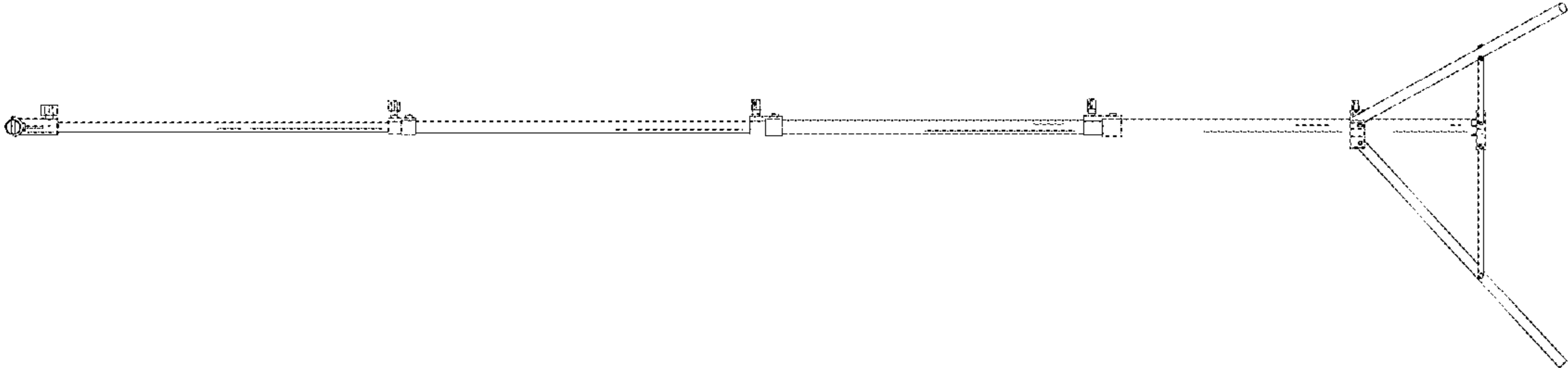


FIG. 5

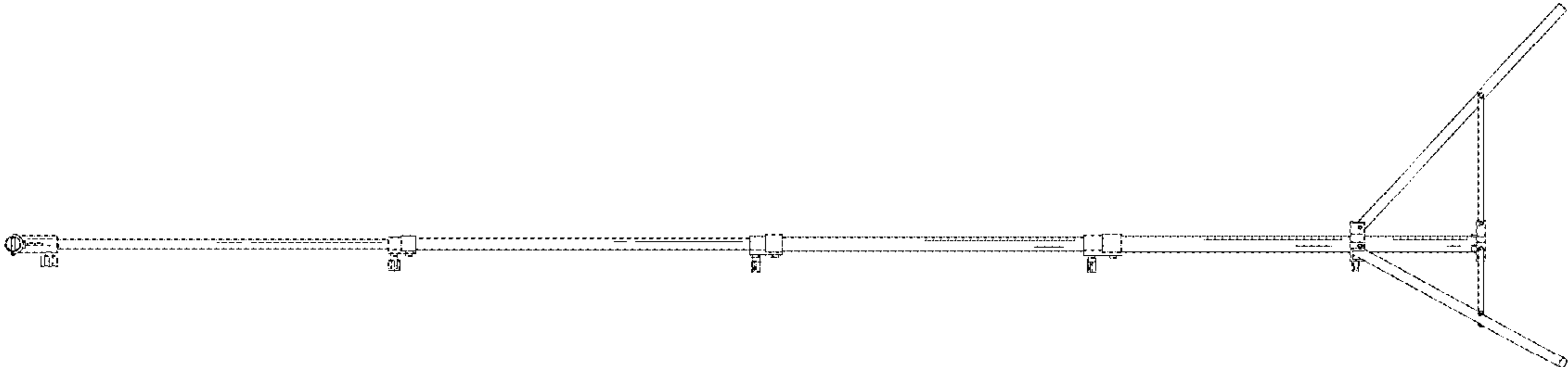


FIG. 6

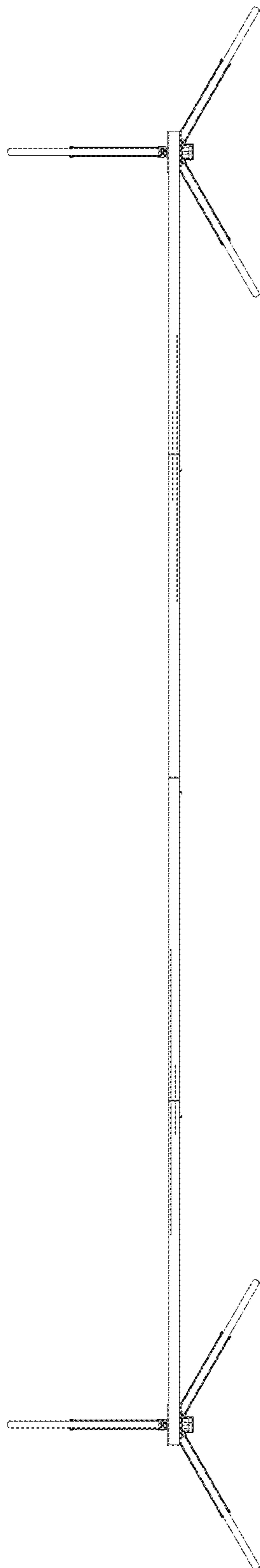


FIG. 7

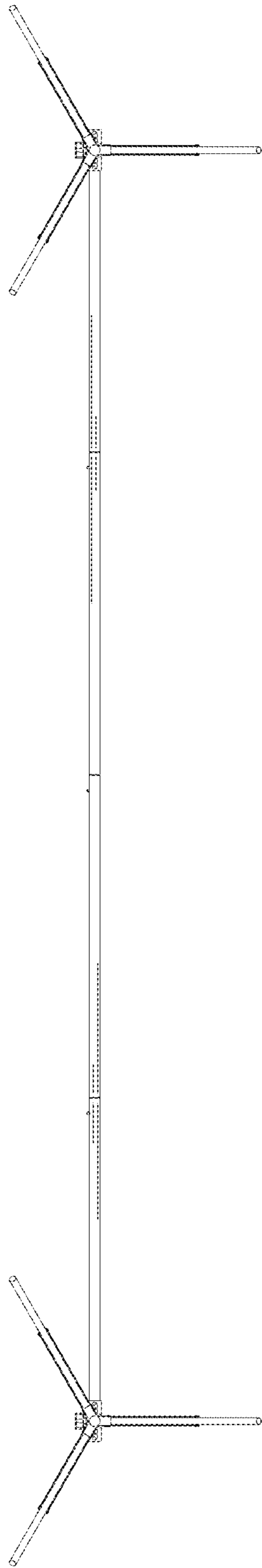


FIG. 8

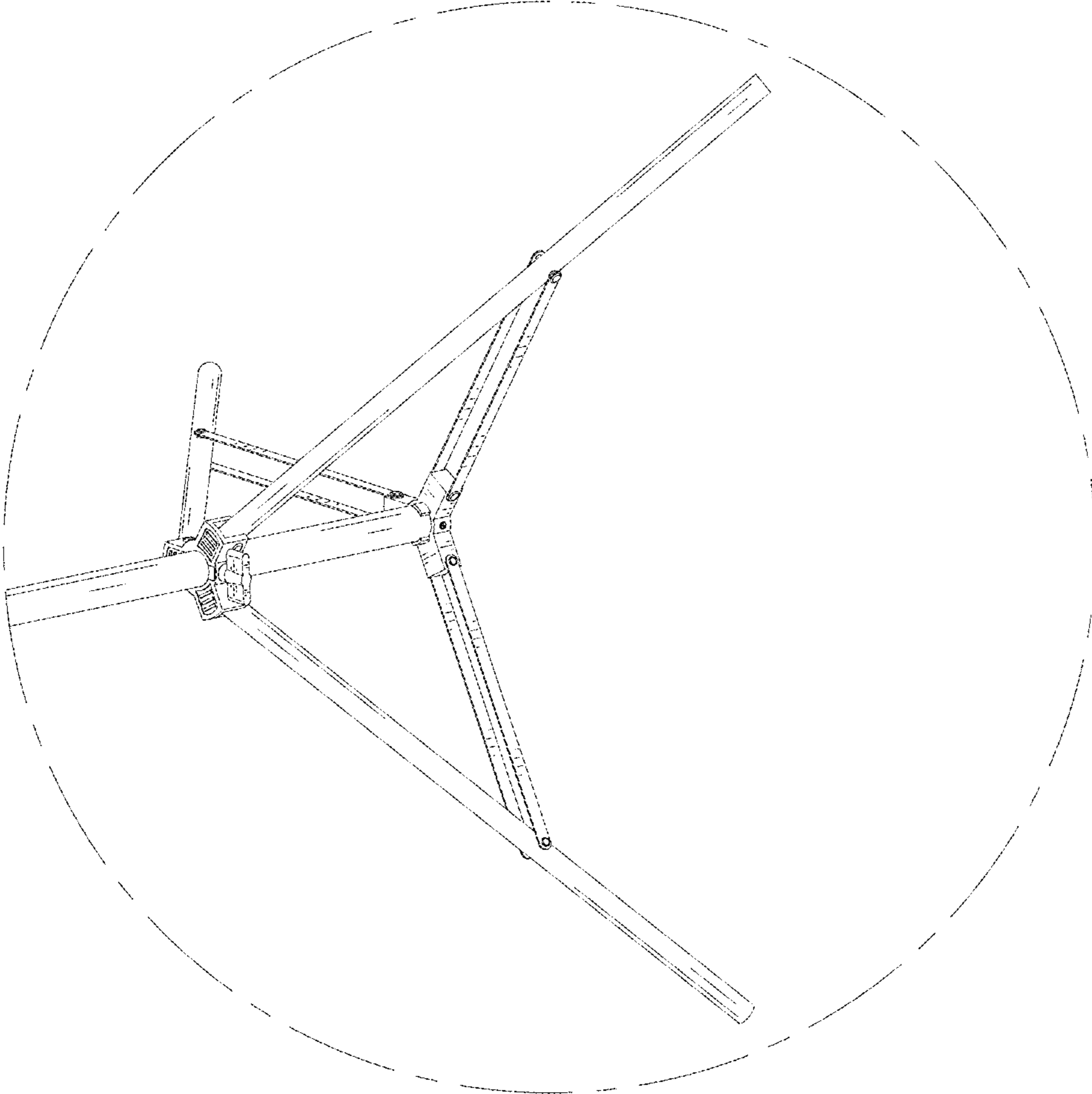


FIG. 9

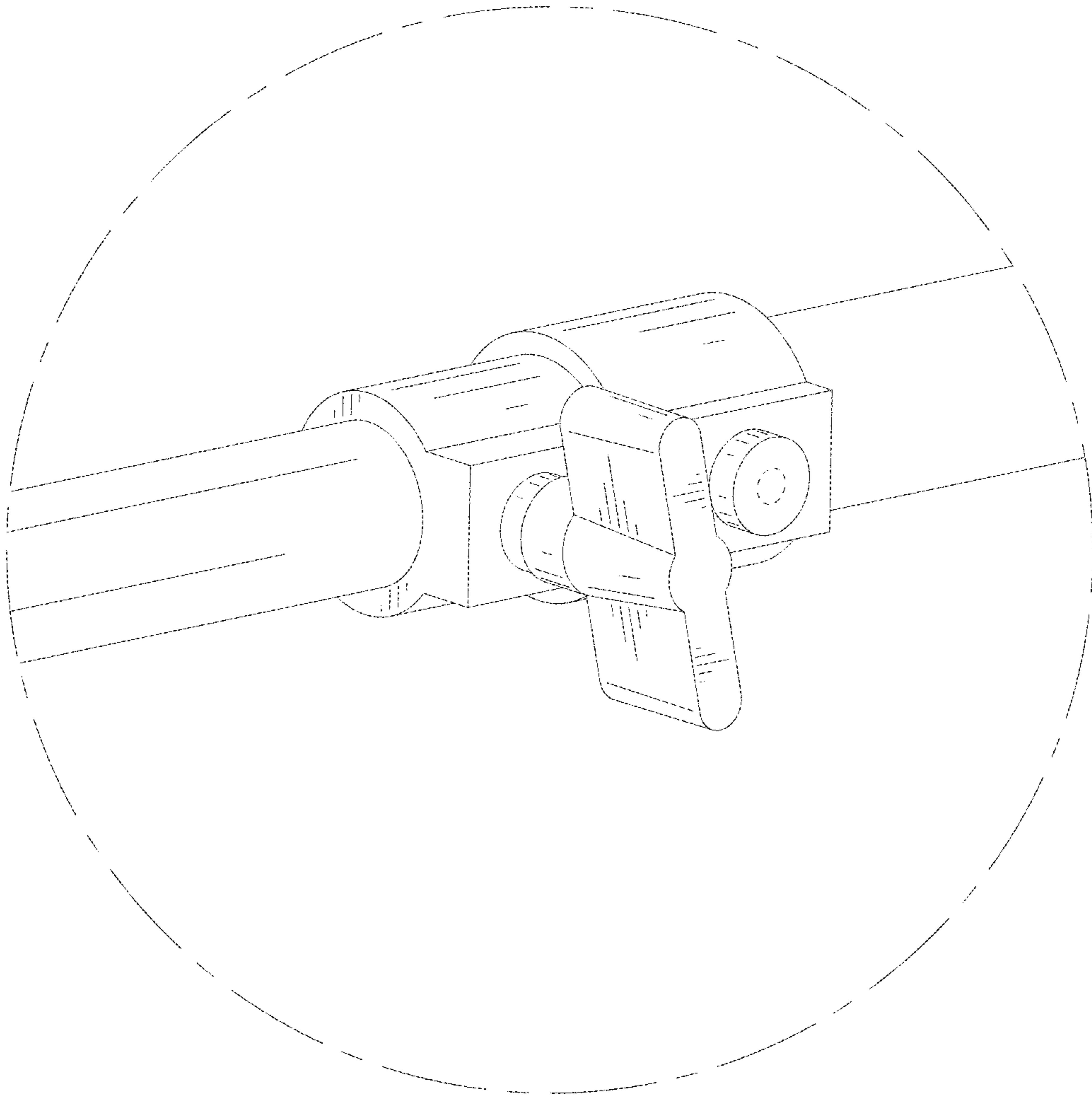


FIG. 10

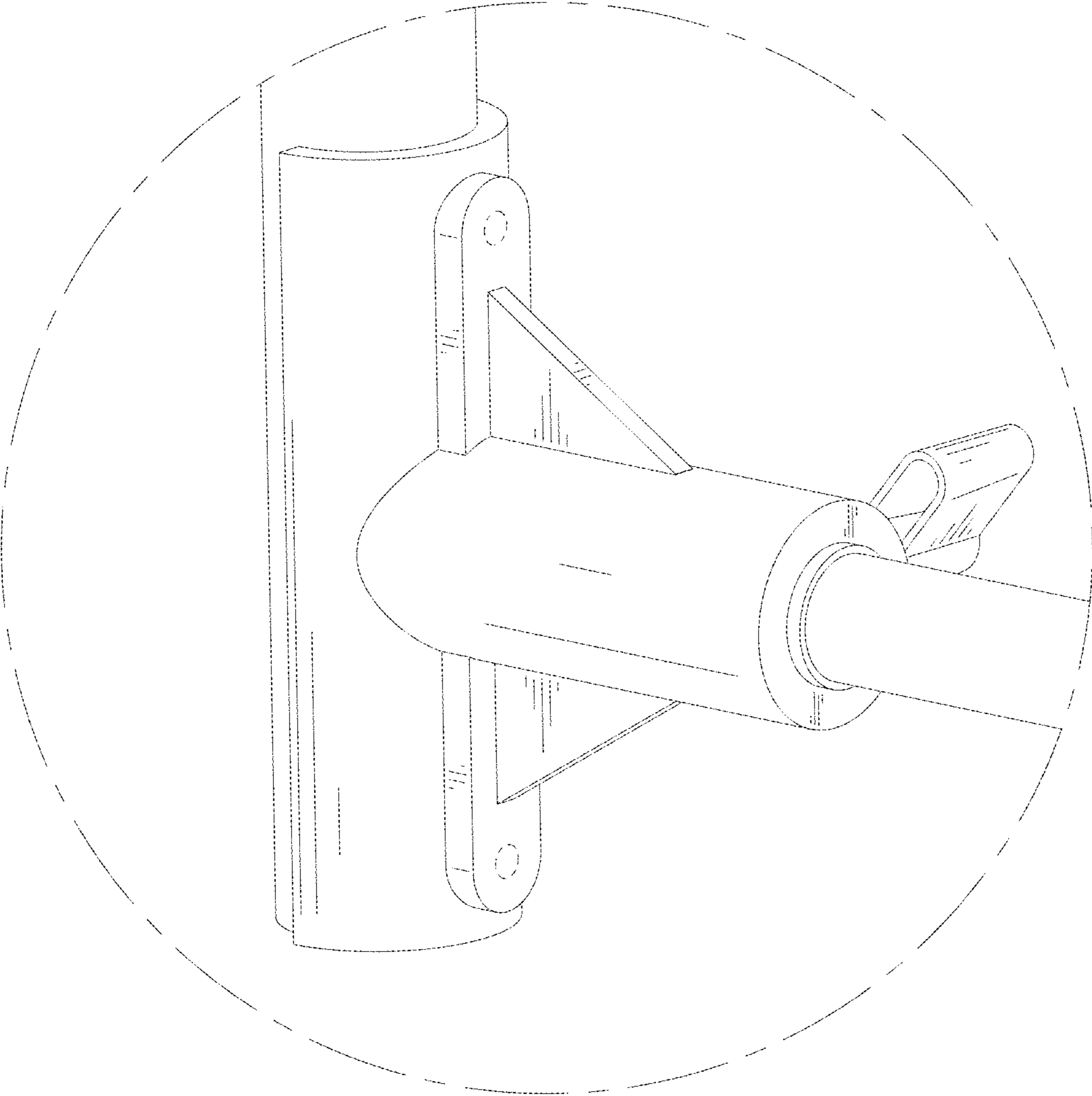


FIG. 11