



US00D971299S

(12) **United States Design Patent**
Xia et al.

(10) **Patent No.:** **US D971,299 S**

(45) **Date of Patent:** **** Nov. 29, 2022**

(54) **FLASHLAMP FOR PHOTOGRAPHY**

(71) Applicant: **Shenzhen Xingyingda Industry Co., Ltd.**, Shenzhen (CN)

(72) Inventors: **Liang Xia**, Shenzhen (CN); **Jun Wang**, Shenzhen (CN); **Yan Ke**, Shenzhen (CN)

(73) Assignee: **Shenzhen Xingyingda Industry Co., Ltd.**, Shenzhen (CN)

(**) Term: **15 Years**

(21) Appl. No.: **29/840,880**

(22) Filed: **Jun. 1, 2022**

(51) **LOC (13) Cl.** **16-05**

(52) **U.S. Cl.**
USPC **D16/240**

(58) **Field of Classification Search**
USPC D16/202, 208–209, 219, 237–240
CPC G03B 17/02; G03B 17/56; G03B 17/04;
G03B 17/561–566; G03B 15/03; H04N
5/2251; H04N 5/2252; H04N 5/2253;
H04N 5/2254; G02B 7/02; G02B 7/04;
G02B 7/14

See application file for complete search history.

(56) **References Cited**

U.S. PATENT DOCUMENTS

D241,273 S	8/1976	Okuno et al.	
D263,720 S	4/1982	Takematsu	
D342,753 S	12/1993	Haga	
D453,351 S	2/2002	Kitera	
D502,488 S	3/2005	Miyashita	
D696,711 S *	12/2013	Takahashi	D16/240
D701,553 S	3/2014	Sanhui	
D703,723 S	4/2014	Soejima	
D708,251 S *	7/2014	Chen	D16/240

D714,375 S *	9/2014	Ozone	D16/239
D718,363 S *	11/2014	Yamauchi	D16/239
D741,395 S	10/2015	Oh	
D767,010 S	9/2016	Rauch	
9,876,961 B2 *	1/2018	Kojima	G03B 15/05
9,921,457 B2 *	3/2018	Okano	G03B 15/05
D819,115 S	5/2018	Nohara	
D855,683 S *	8/2019	Sakai	D16/239
D866,646 S *	11/2019	Liu	D16/239
D886,182 S	6/2020	Chen	
D923,683 S *	6/2021	Ke	D16/239
D943,658 S *	2/2022	Ke	D16/237

* cited by examiner

Primary Examiner — Ramzi Almatrahi

(74) *Attorney, Agent, or Firm* — Westbridge IP LLC

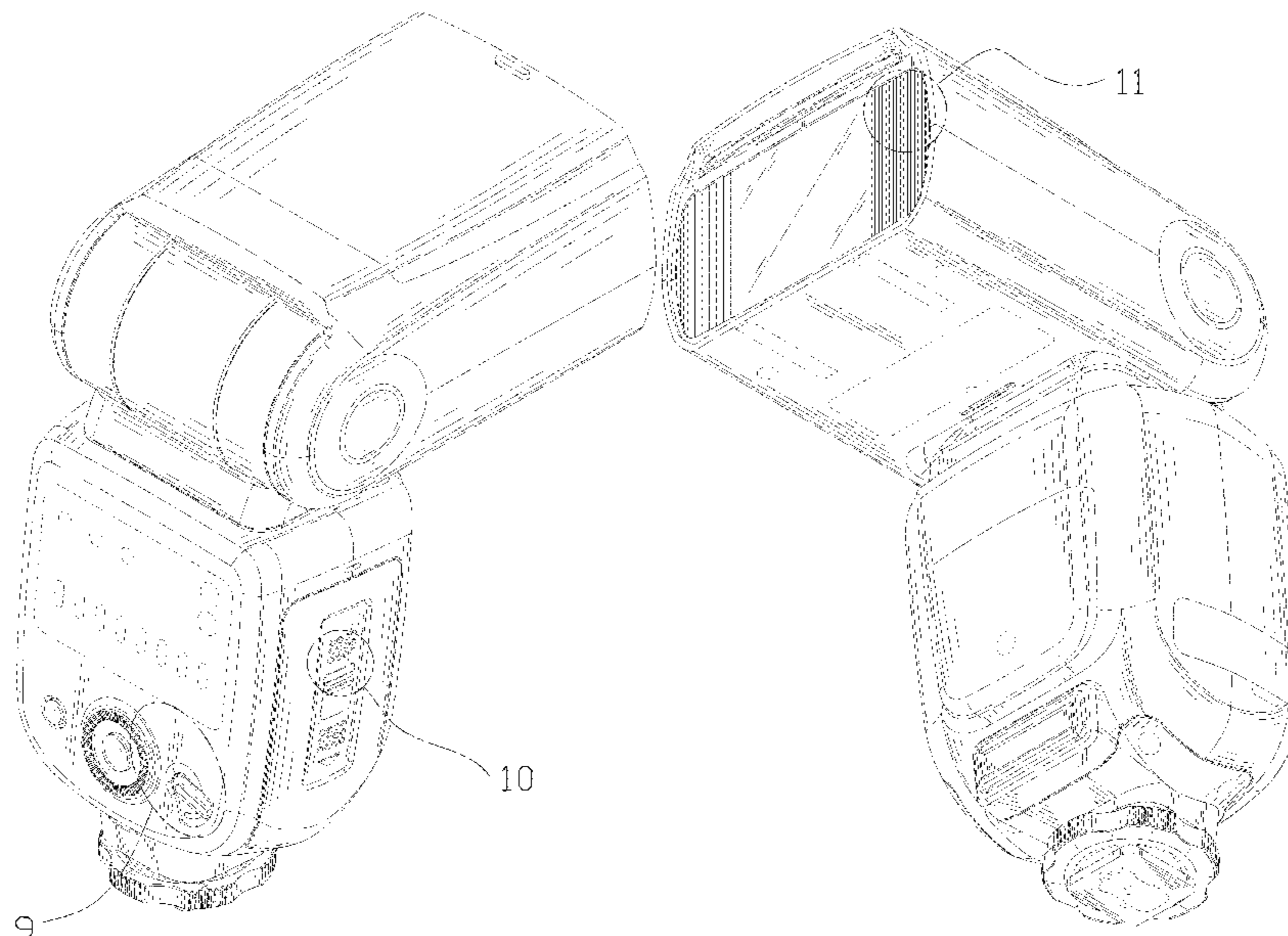
(57) **CLAIM**

The ornamental design for a flashlamp for photography, as shown and described.

DESCRIPTION

FIG. 1 is a front perspective view of a flashlamp for photography showing our new design; FIG. 2 is a rear perspective view thereof; FIG. 3 is a front elevation view thereof; FIG. 4 is a rear elevation view thereof; FIG. 5 is a left side elevation view thereof; FIG. 6 is a right side elevation view thereof; FIG. 7 is a top plan view thereof; FIG. 8 is a bottom plan view thereof; FIG. 9 is an enlarged view of portion 9 shown in FIG. 1; FIG. 10 is an enlarged view of portion 10 shown in FIG. 1; and, FIG. 11 is an enlarged view of portion 11 shown in FIG. 2. The broken lines depict portions of the flashlamp for photography that form no part of the claimed design. The dot-dash broken lines encircling an enlargement portion of the design forms no part of the claimed design.

1 Claim, 11 Drawing Sheets



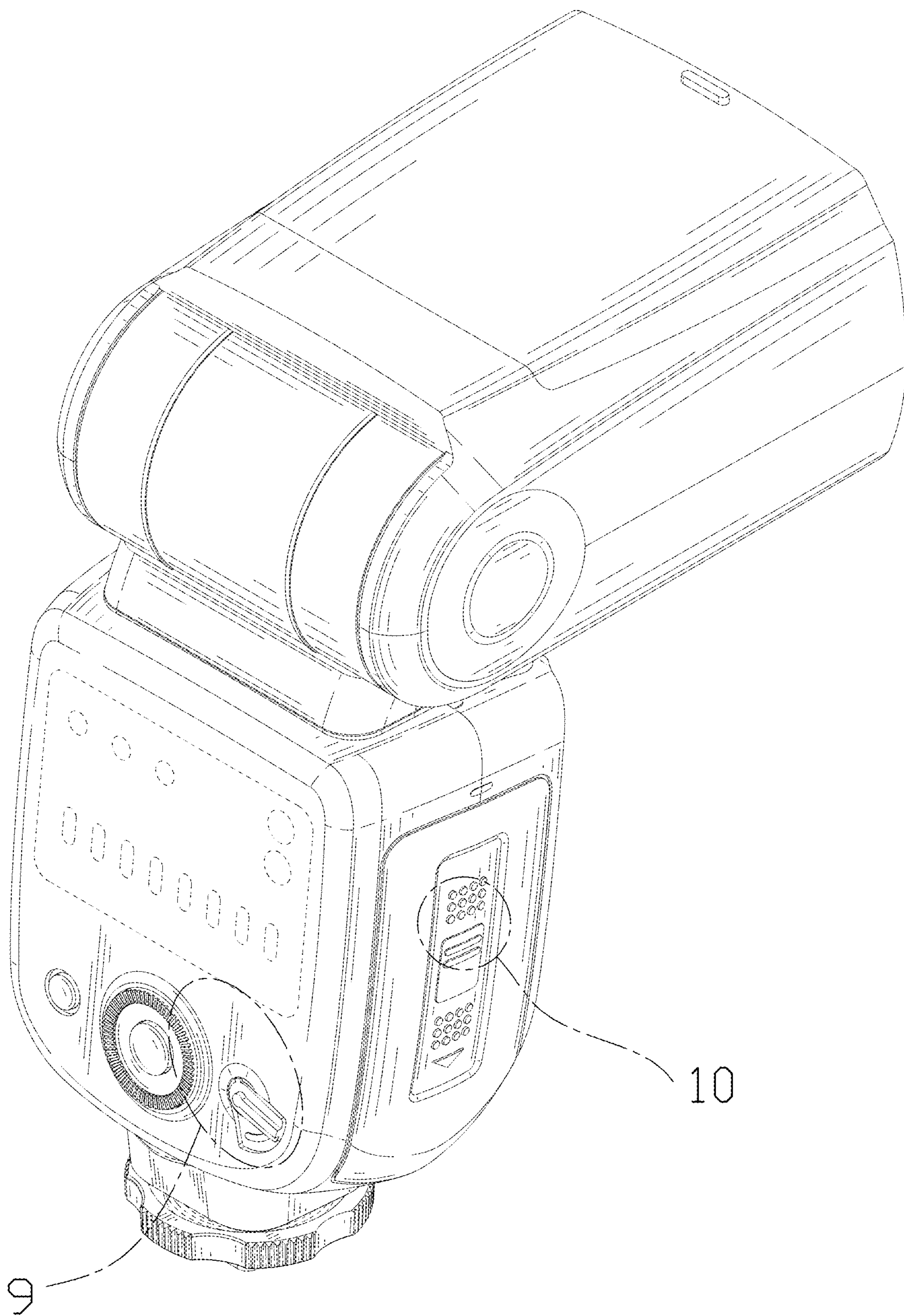


FIG. 1

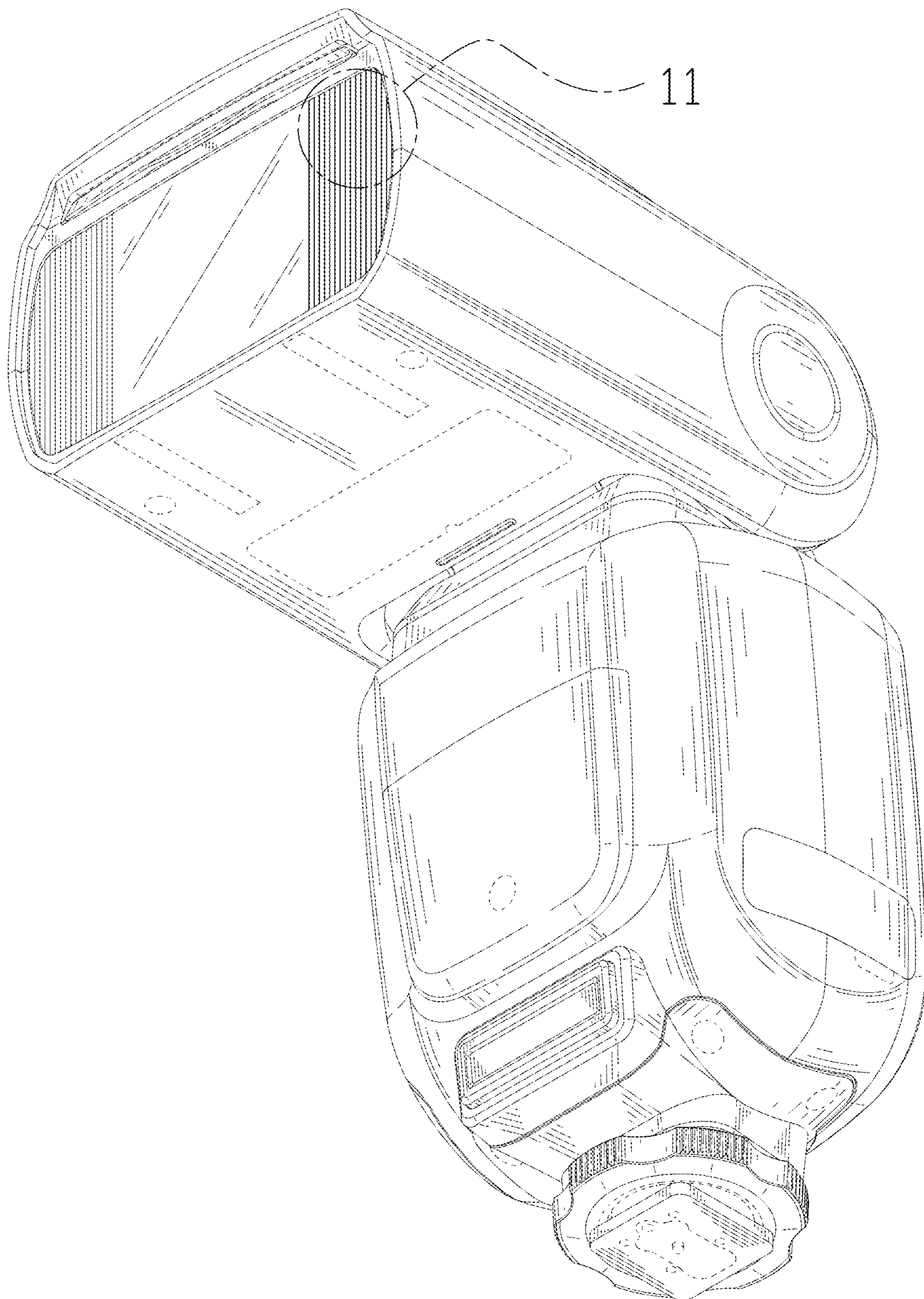


FIG. 2

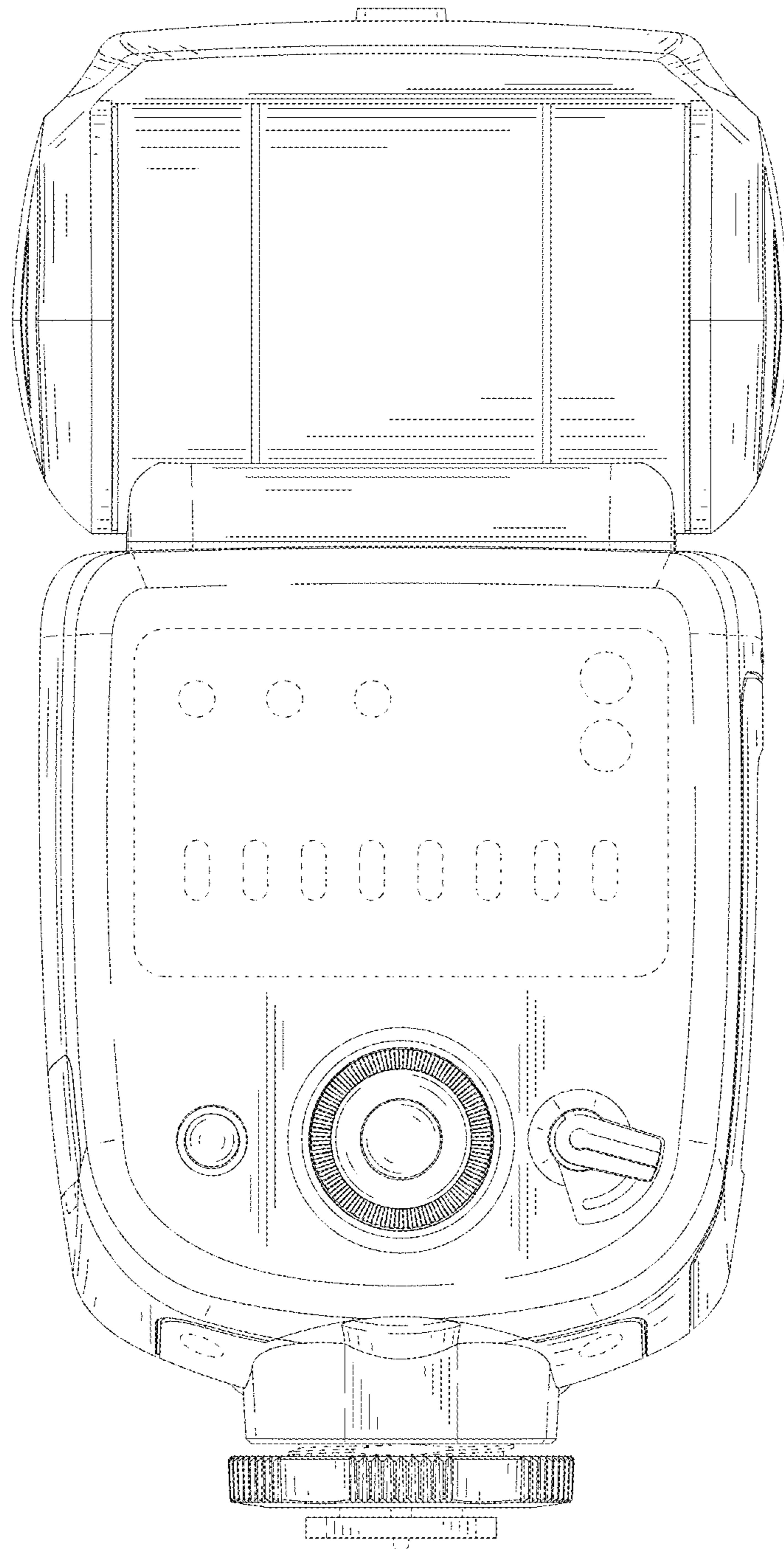


FIG. 3

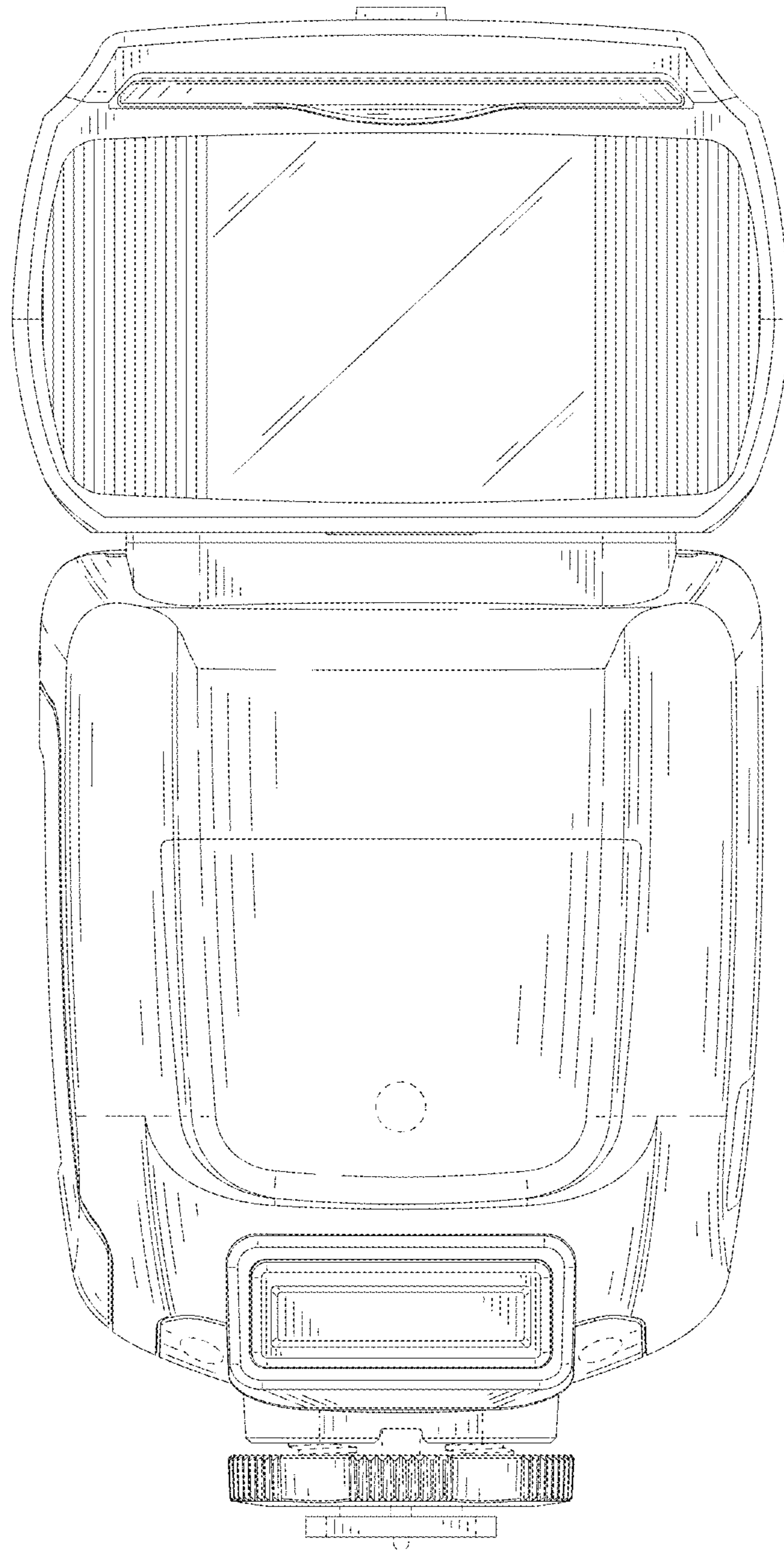


FIG. 4

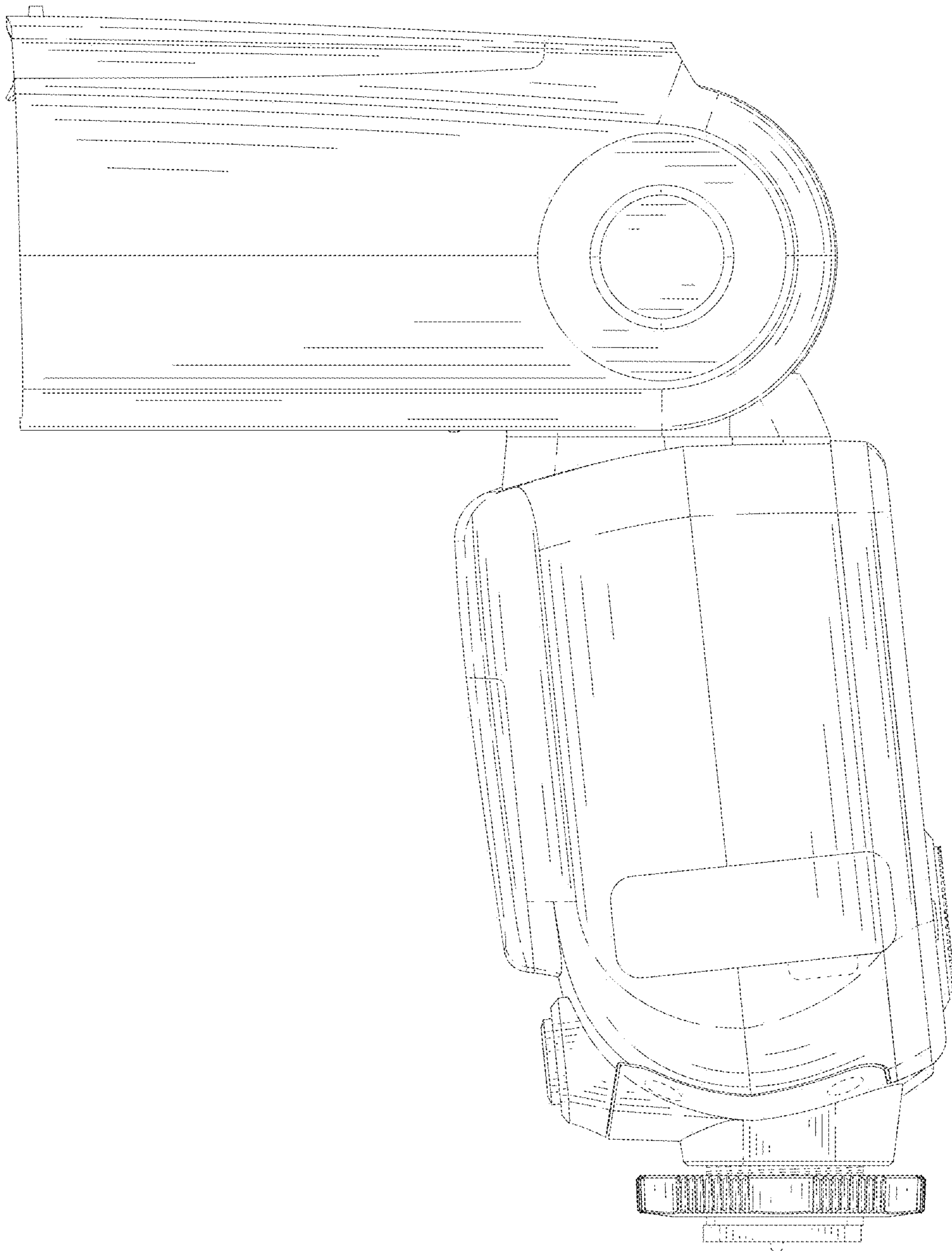


FIG. 5

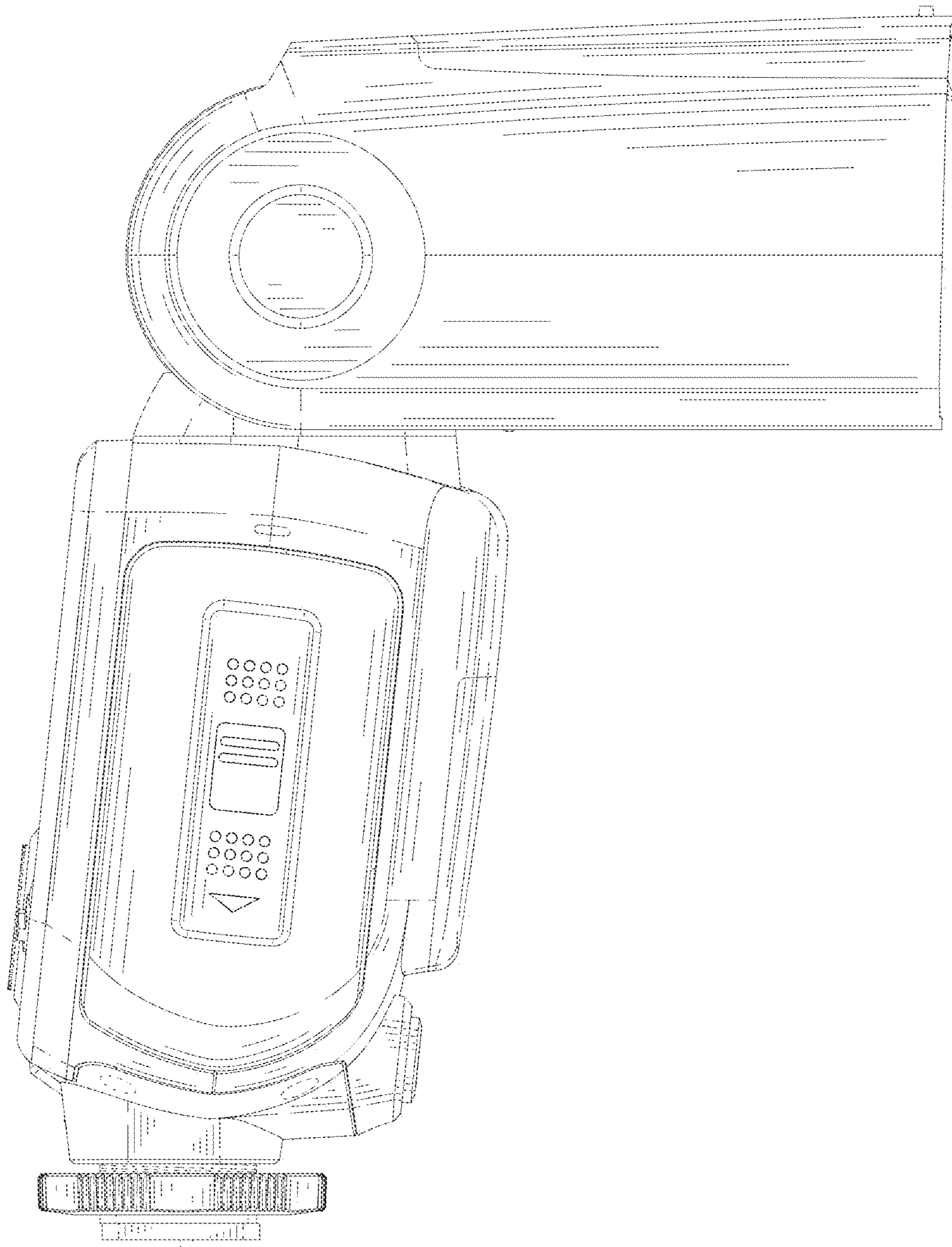


FIG. 6

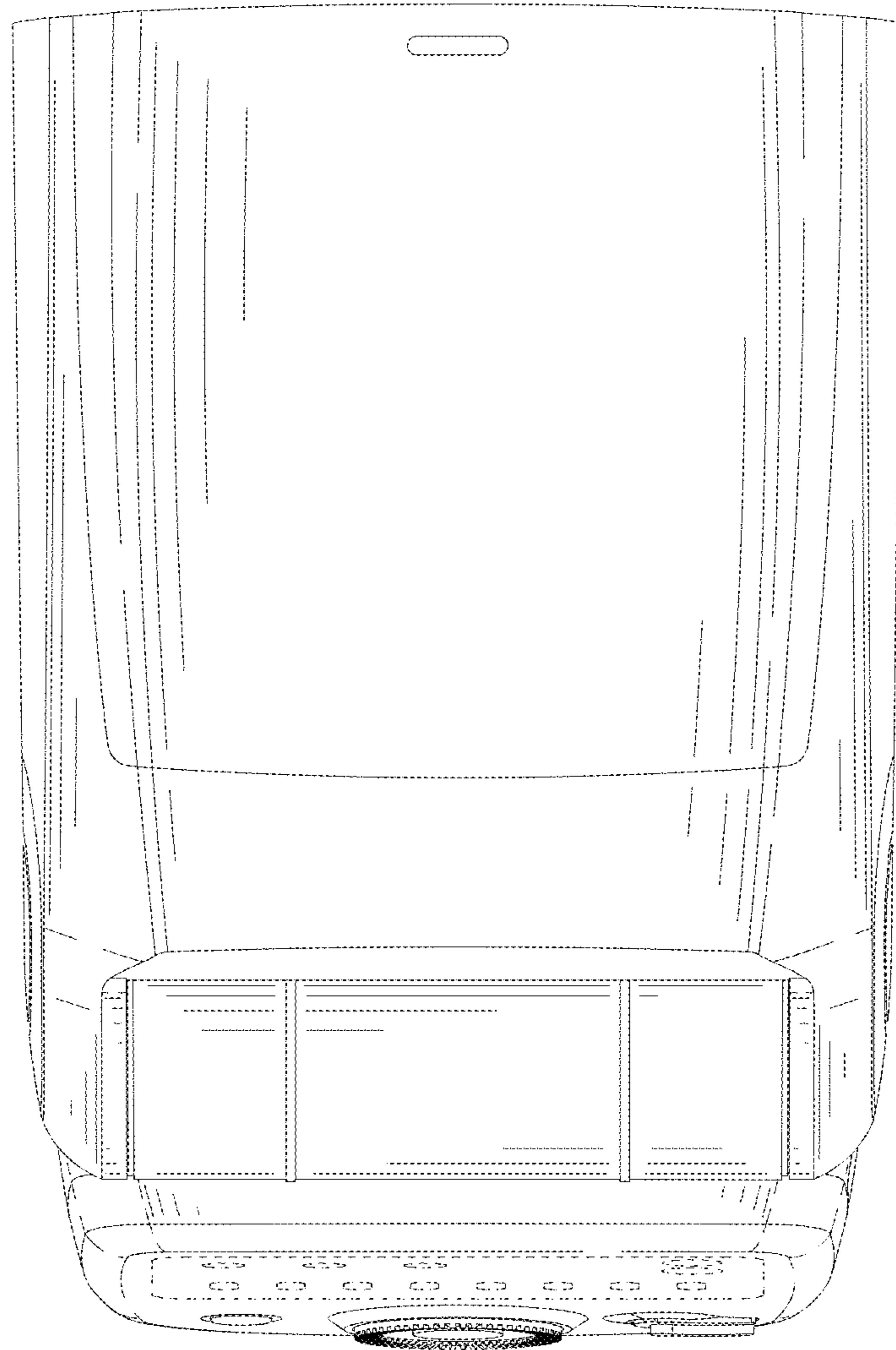


FIG. 7

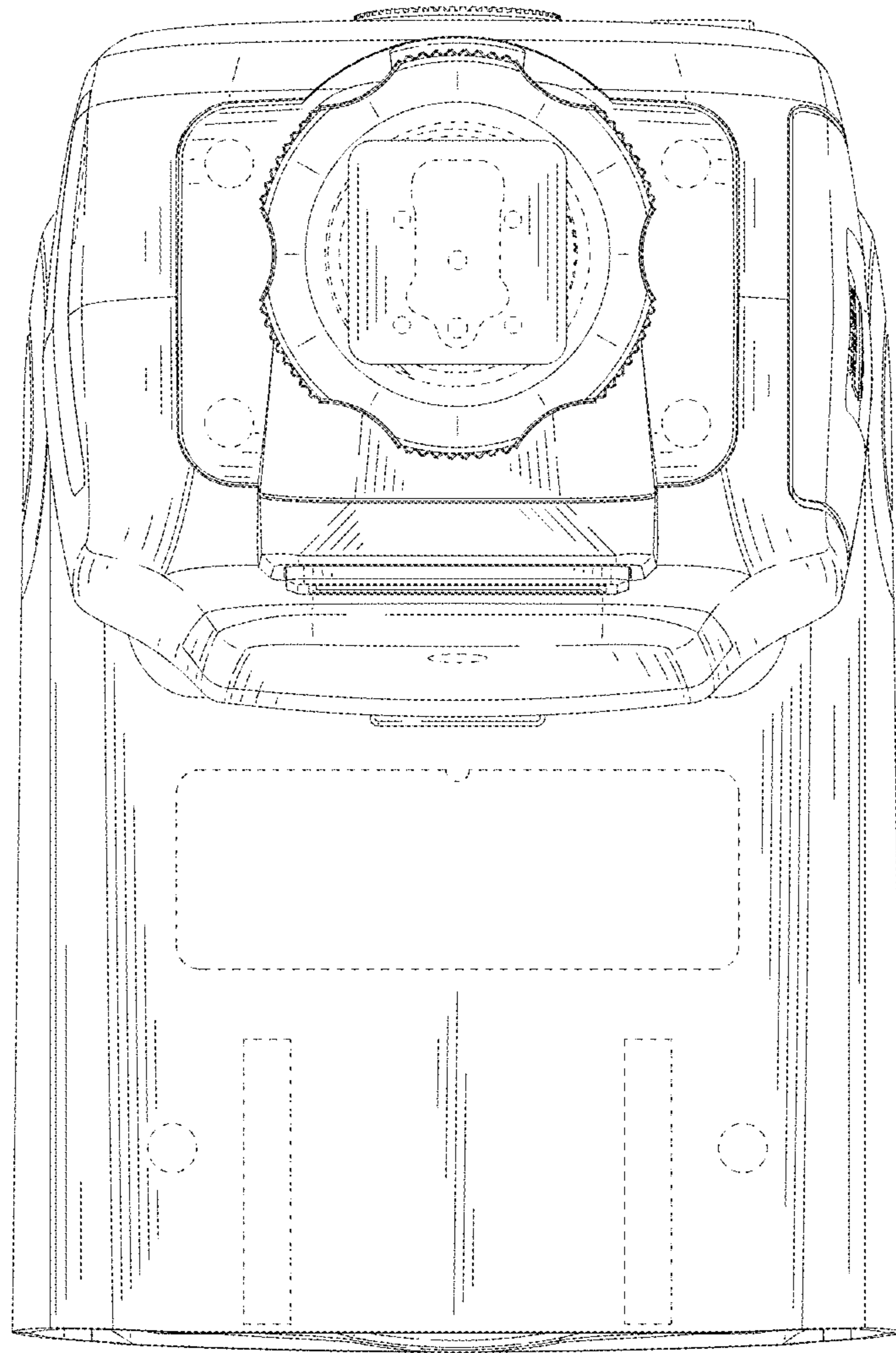


FIG. 8

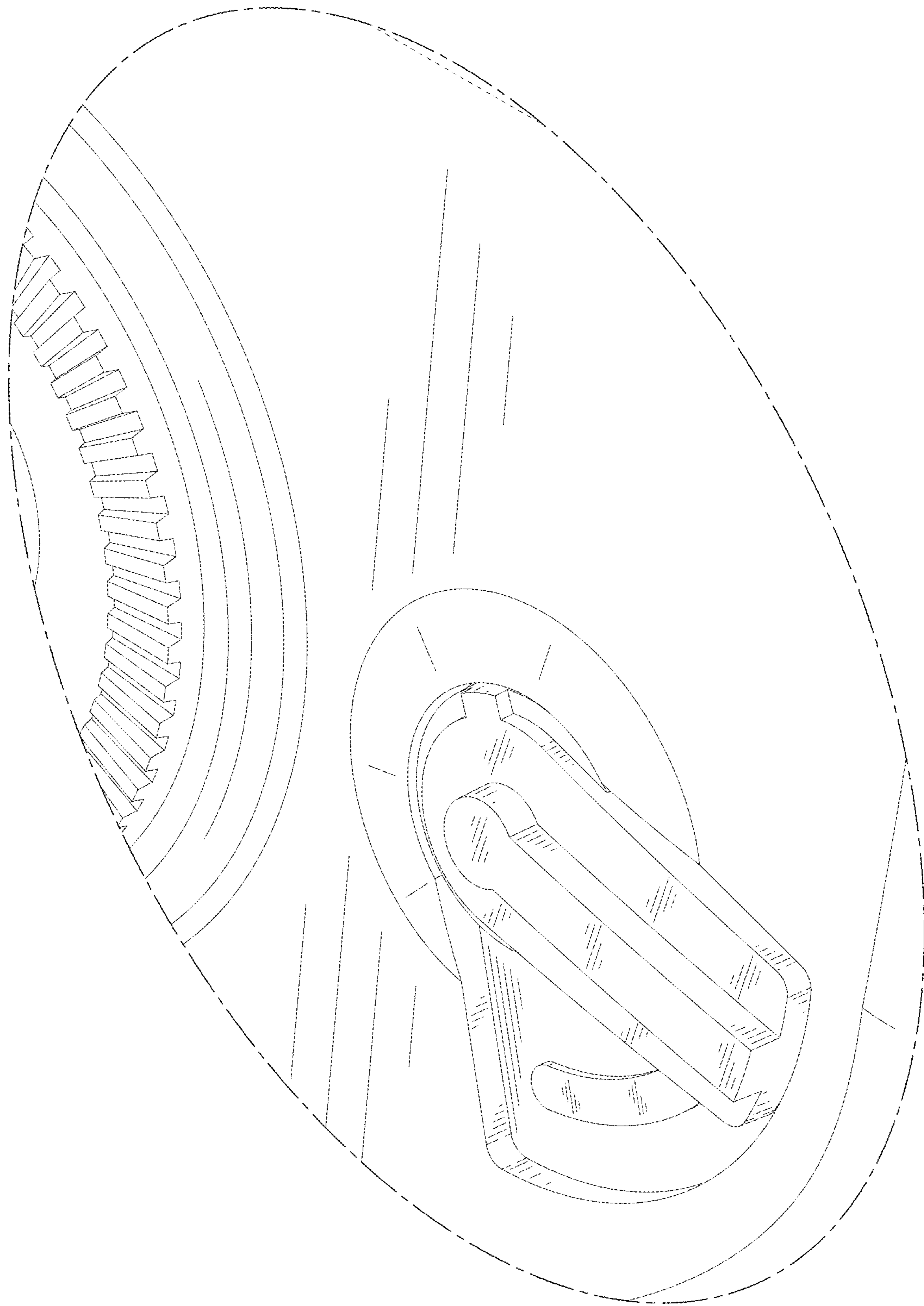


FIG. 9

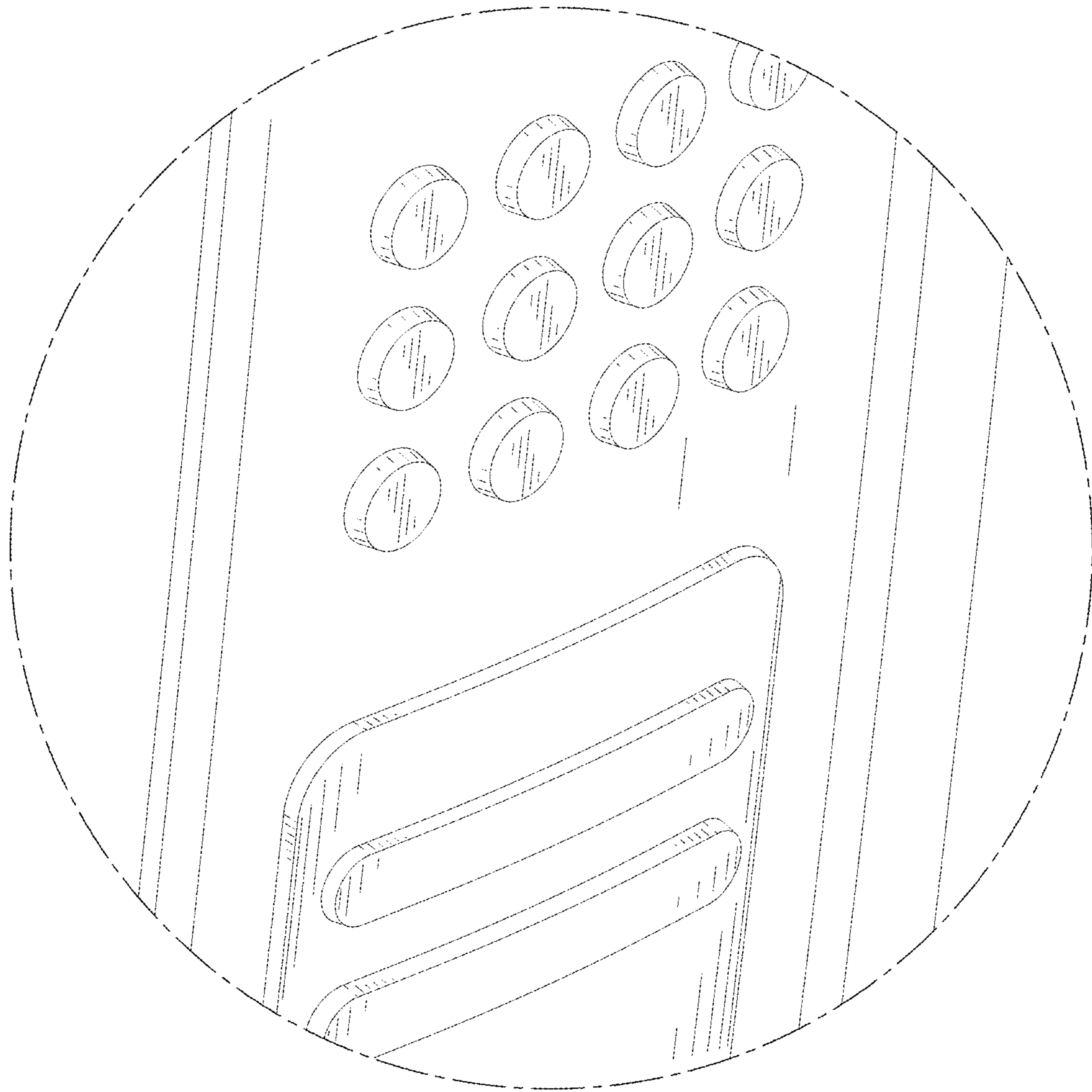


FIG. 10

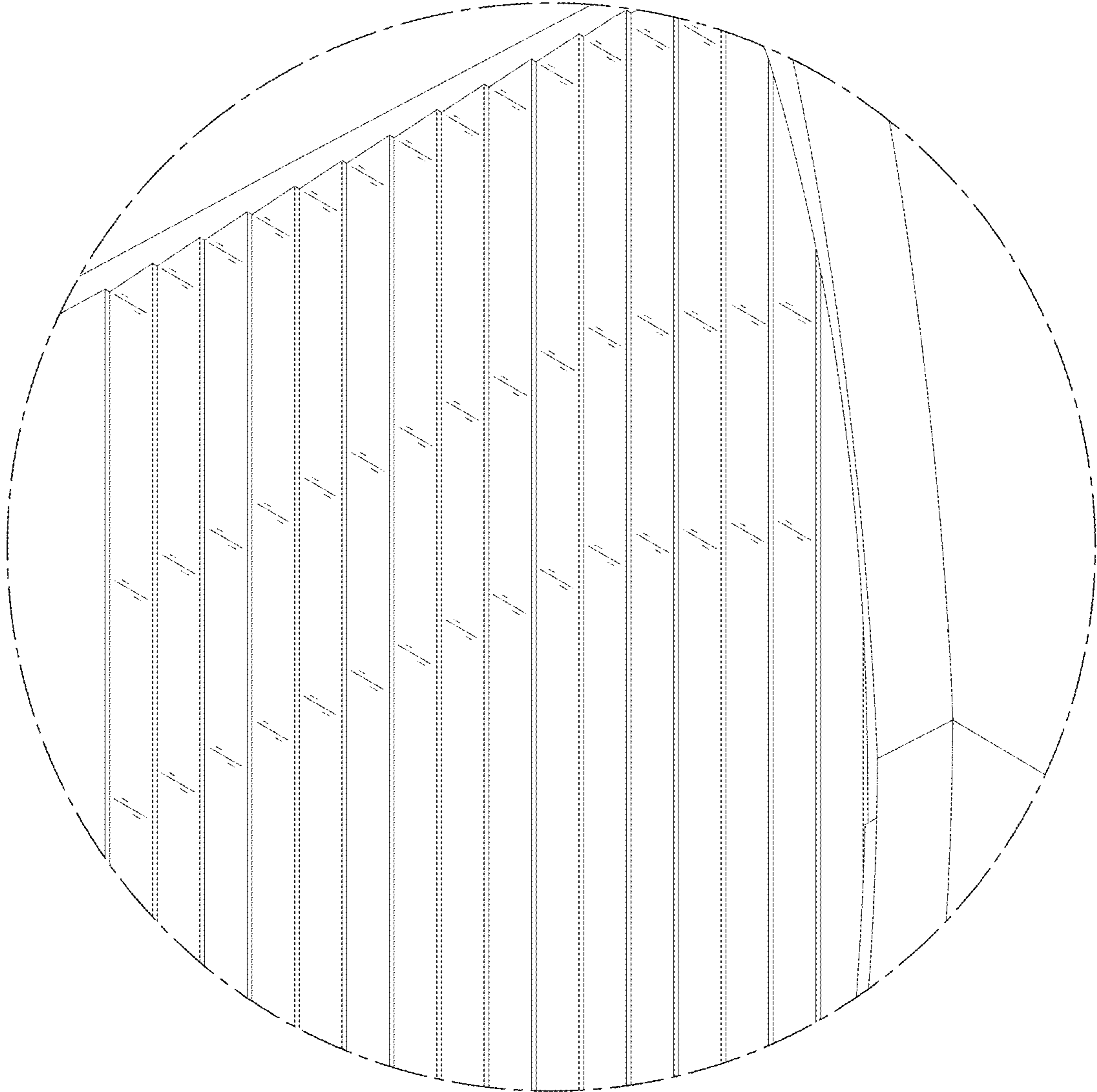


FIG. 11