



US00D971298S

(12) **United States Design Patent**  
**Hu**

(10) **Patent No.:** **US D971,298 S**

(45) **Date of Patent:** **\*\* Nov. 29, 2022**

- (54) **SOFTBOX LIGHTING SET**
- (71) Applicant: **Shenzhen Daqian Technology Holding Co., Ltd, Shenzhen (CN)**
- (72) Inventor: **Shenghua Hu, Shenzhen (CN)**
- (\*\*) Term: **15 Years**
- (21) Appl. No.: **29/841,130**
- (22) Filed: **Jun. 3, 2022**
- (51) **LOC (13) Cl.** ..... **16-05**
- (52) **U.S. Cl.**  
USPC ..... **D16/237**
- (58) **Field of Classification Search**  
USPC ..... D16/237-250; D8/354, 355, 363, 373,  
D8/382, 383, 394, 396; D14/238, 251,  
D14/253; D26/118  
CPC ..... G03B 17/02; G03B 17/56; G03B 17/04;  
G03B 17/561-566; G03B 15/03; H04N  
5/2251; H04N 5/2252; H04N 5/2253;  
H04N 5/2254; G02B 7/02; G02B 7/04;  
G02B 7/14  
See application file for complete search history.

(56) **References Cited**

**U.S. PATENT DOCUMENTS**

|              |         |                   |       |         |
|--------------|---------|-------------------|-------|---------|
| D641,100 S * | 7/2011  | Li                | ..... | D26/118 |
| D671,587 S * | 11/2012 | Li                | ..... | D16/237 |
| D699,778 S * | 2/2014  | Li                | ..... | D16/237 |
| D804,716 S   | 12/2017 | Nahabedian et al. |       |         |
| D826,458 S   | 8/2018  | Amato et al.      |       |         |

|              |        |              |       |         |
|--------------|--------|--------------|-------|---------|
| D826,459 S   | 8/2018 | Amato et al. |       |         |
| D881,980 S * | 4/2020 | Zhu          | ..... | D16/244 |
| D888,811 S * | 6/2020 | Chen         | ..... | D16/237 |
| D940,782 S * | 1/2022 | Zhu          | ..... | D16/244 |
| D940,783 S * | 1/2022 | Lin          | ..... | D16/244 |
| D946,644 S * | 3/2022 | Lin          | ..... | D16/244 |
| D947,274 S * | 3/2022 | Tian         | ..... | D16/244 |
| D947,927 S * | 4/2022 | Tian         | ..... | D16/244 |
| D963,026 S * | 9/2022 | Tian         | ..... | D16/237 |
| D963,030 S * | 9/2022 | Feng         | ..... | D16/244 |

\* cited by examiner

*Primary Examiner* — Ramzi Almatrahi

(74) *Attorney, Agent, or Firm* — Rumit Ranjit Kanakia

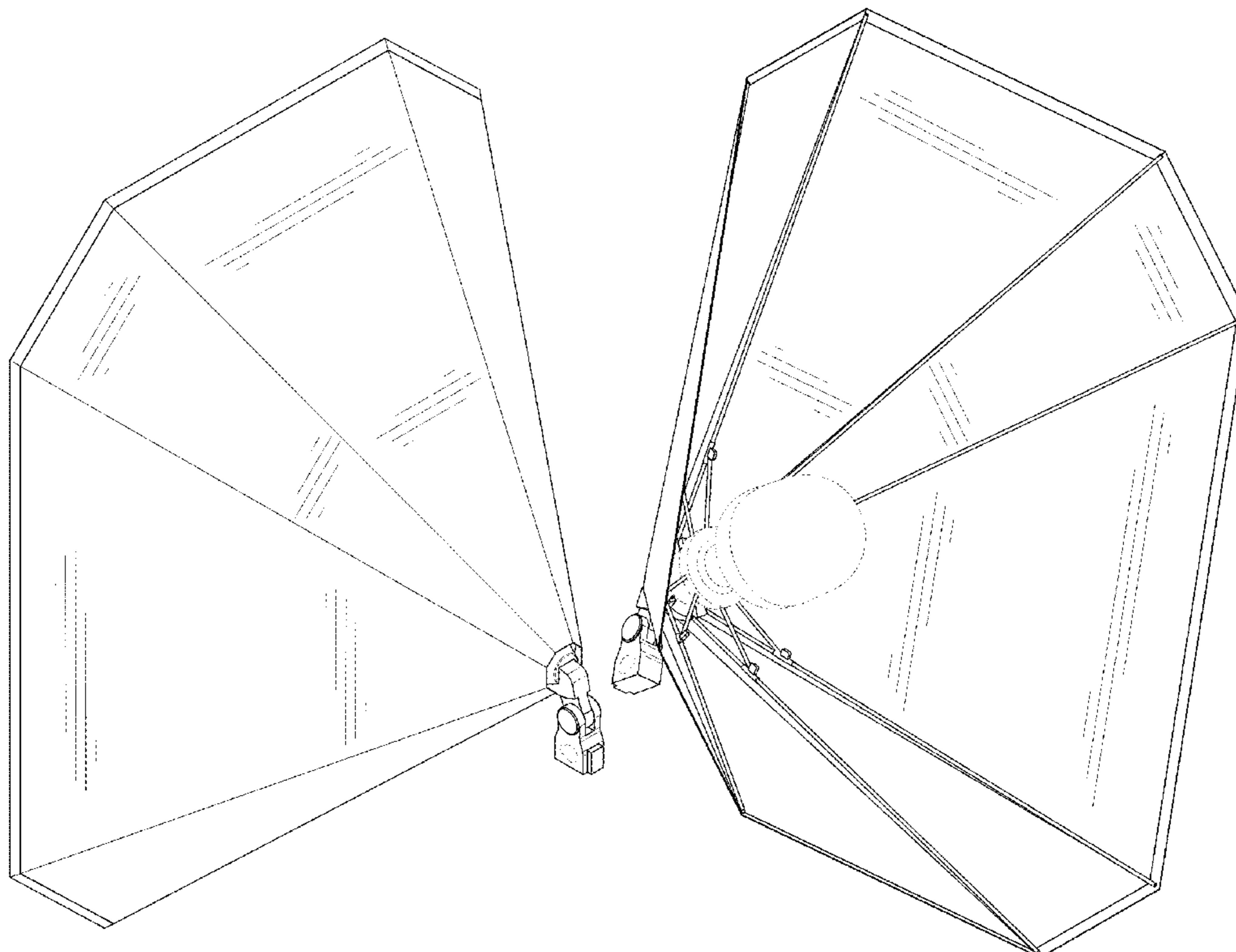
(57) **CLAIM**

The ornamental design for a softbox lighting set, as shown and described.

**DESCRIPTION**

FIG. 1 is a top, back and right side perspective view of a softbox lighting set showing my new design;  
 FIG. 2 is a bottom, front and left side perspective view thereof;  
 FIG. 3 is a front view thereof;  
 FIG. 4 is a back view thereof;  
 FIG. 5 is a left side view thereof;  
 FIG. 6 is a right side view thereof;  
 FIG. 7 is a top plan view thereof; and,  
 FIG. 8 is a bottom plan view thereof.  
 The broken lines shown in the drawings depict portions of the softbox lighting set that form no part of the claimed design.

**1 Claim, 8 Drawing Sheets**



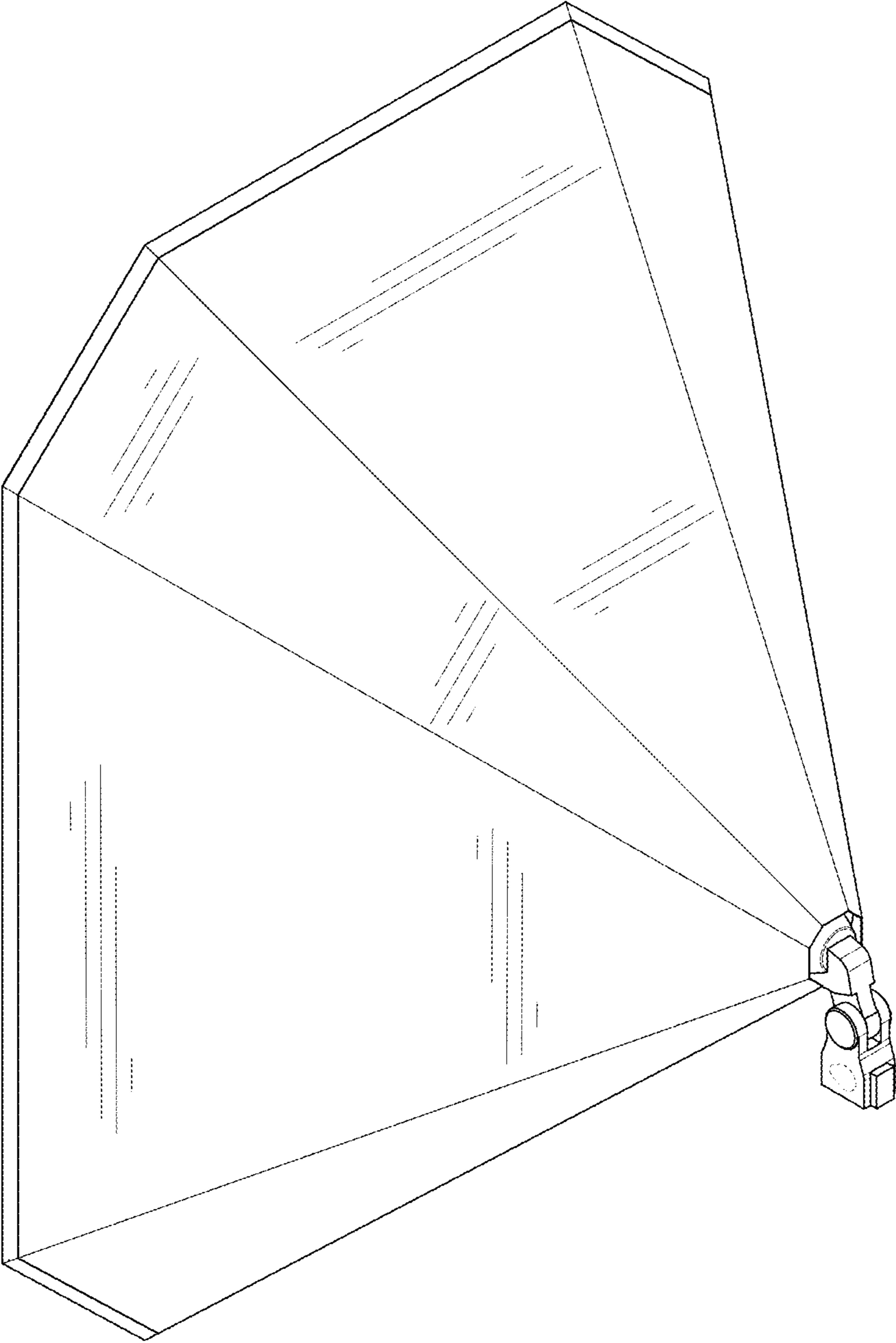


FIG. 1

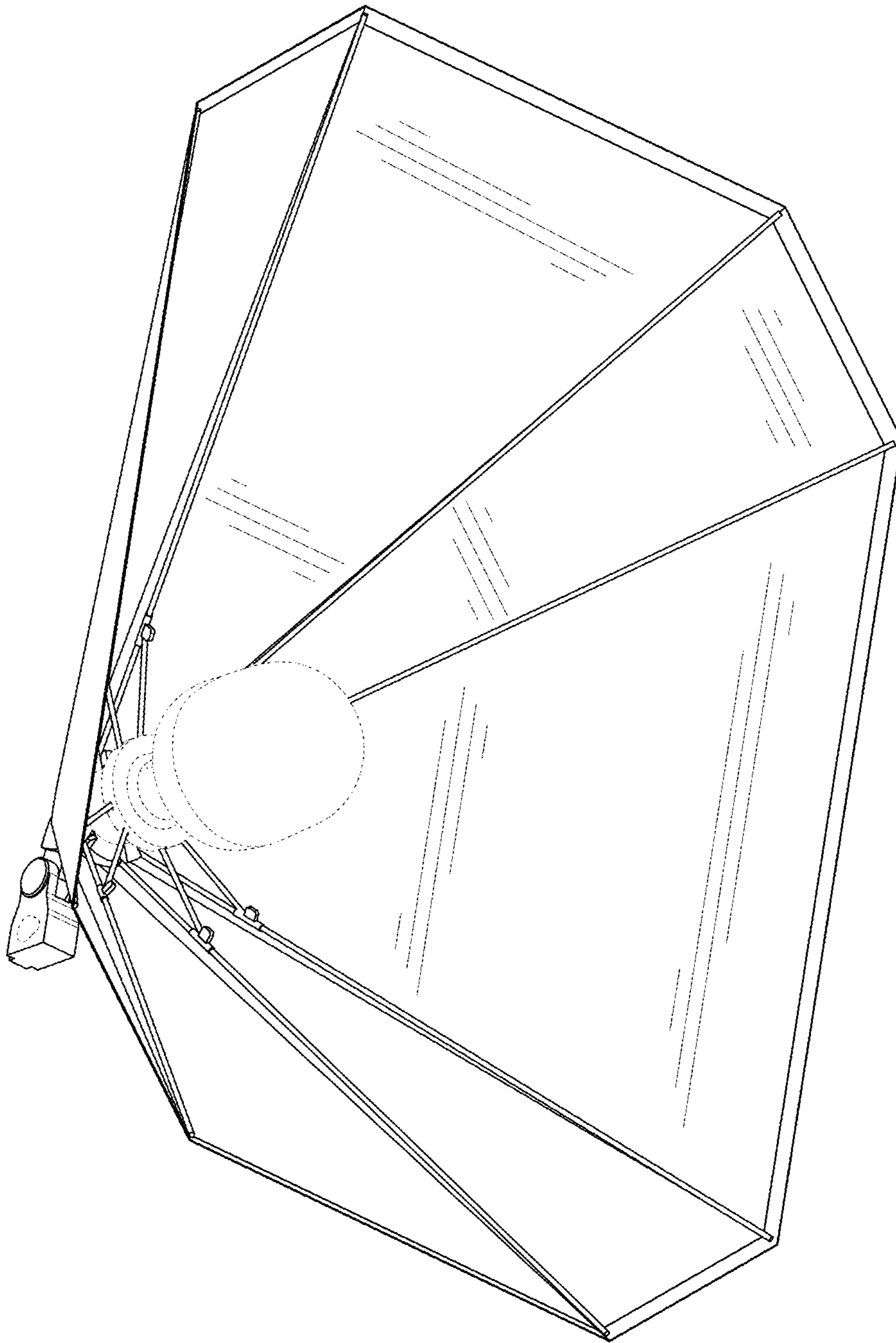


FIG. 2

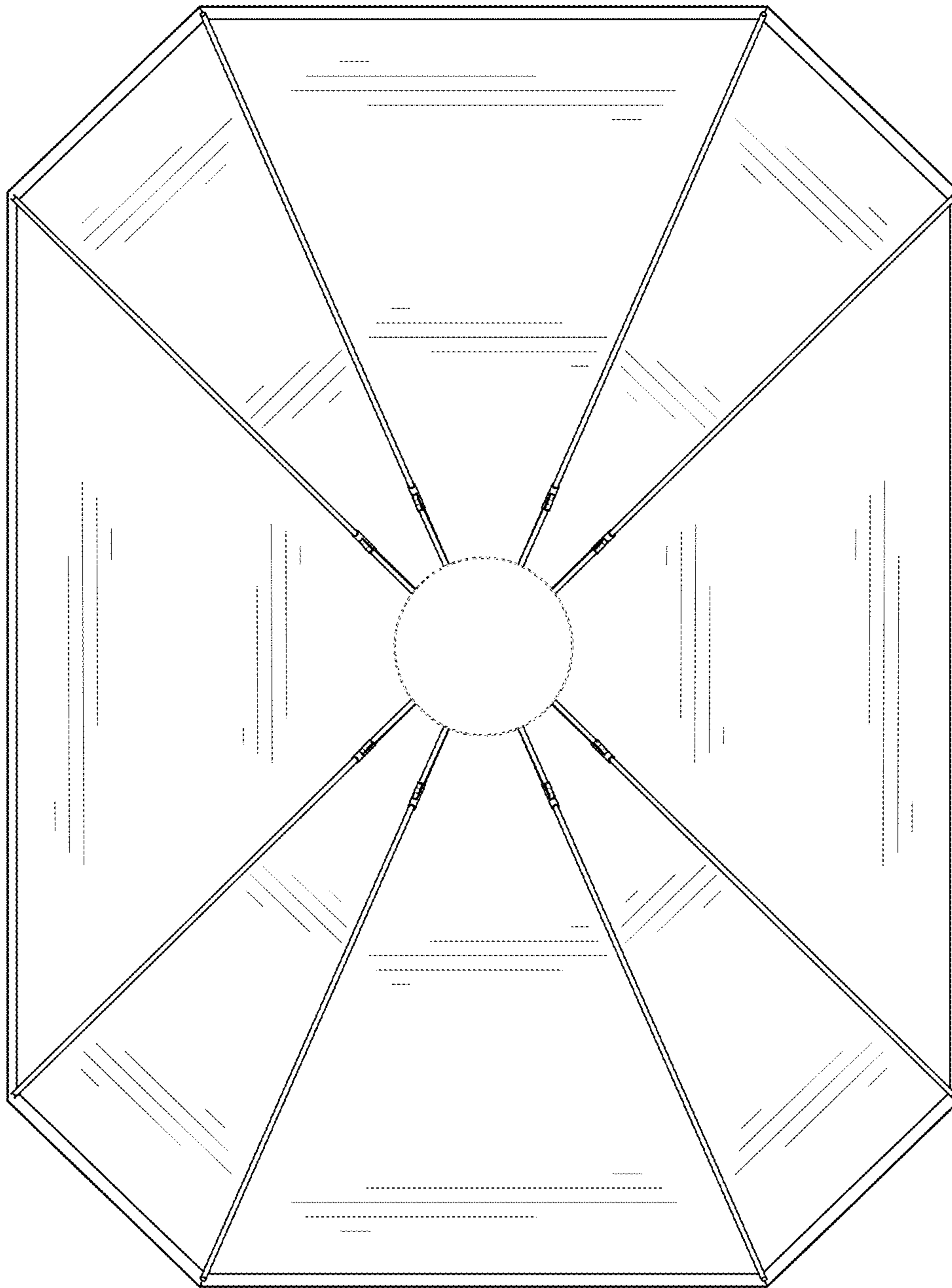


FIG. 3

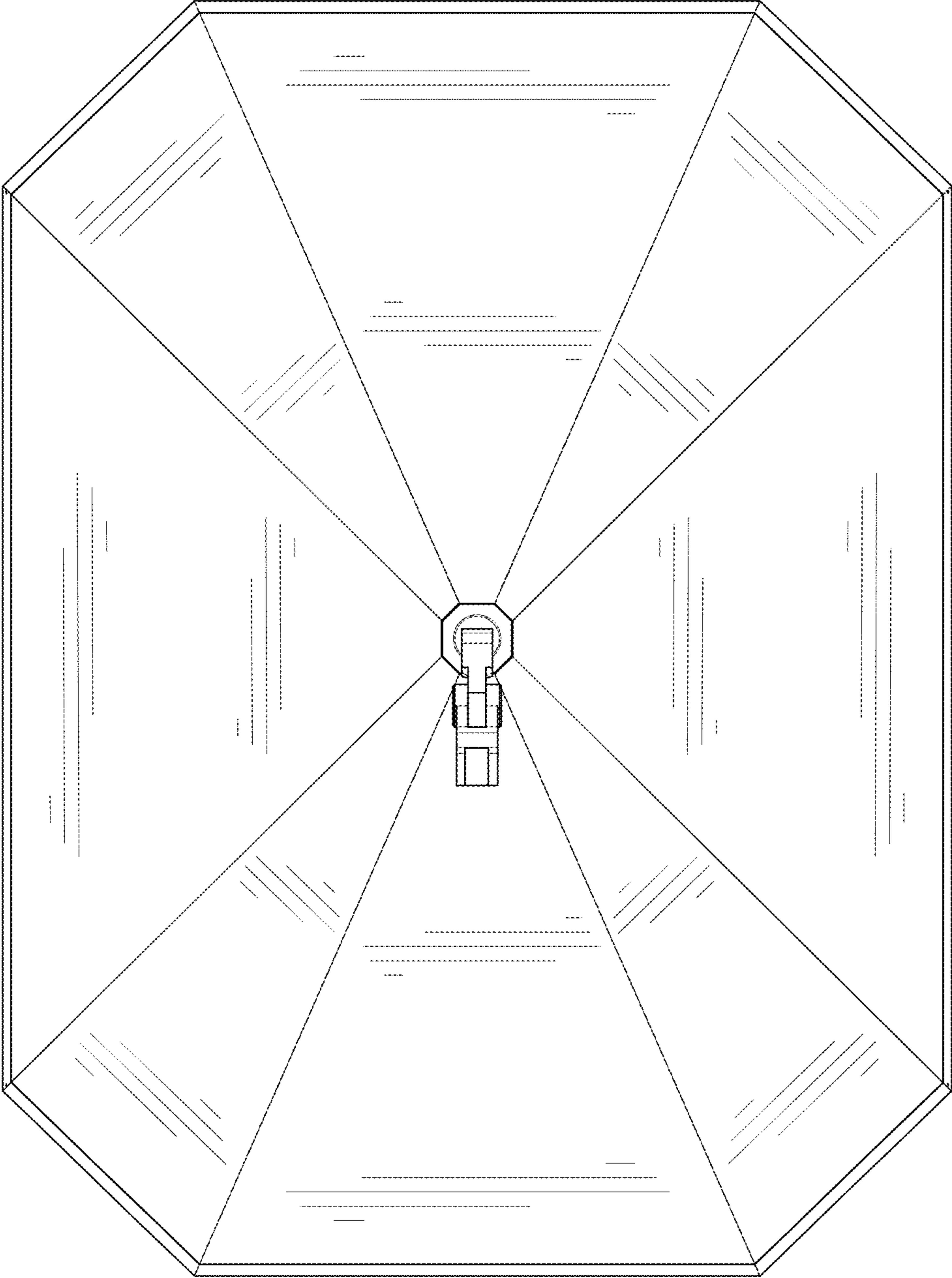


FIG. 4

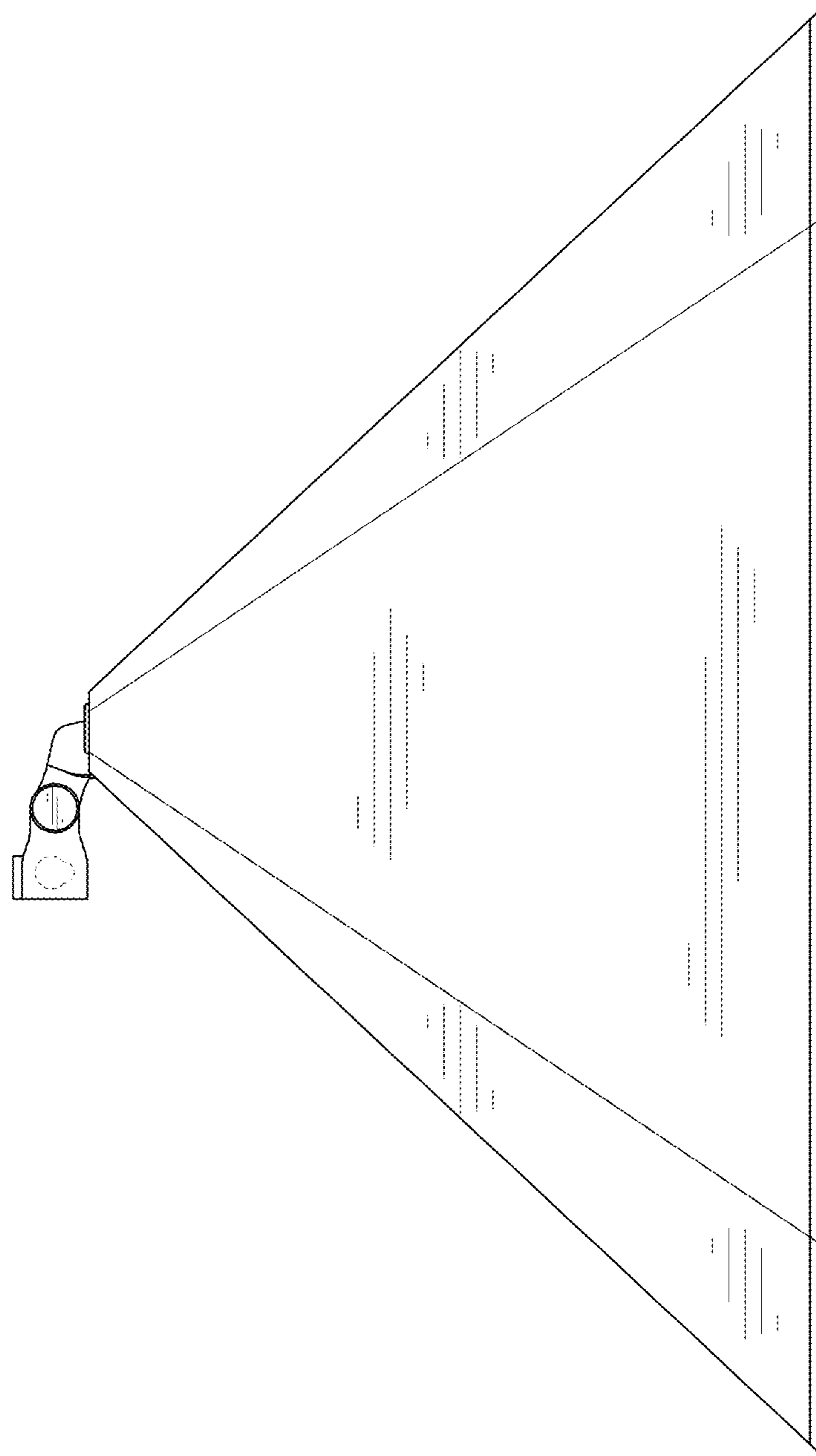


FIG. 5

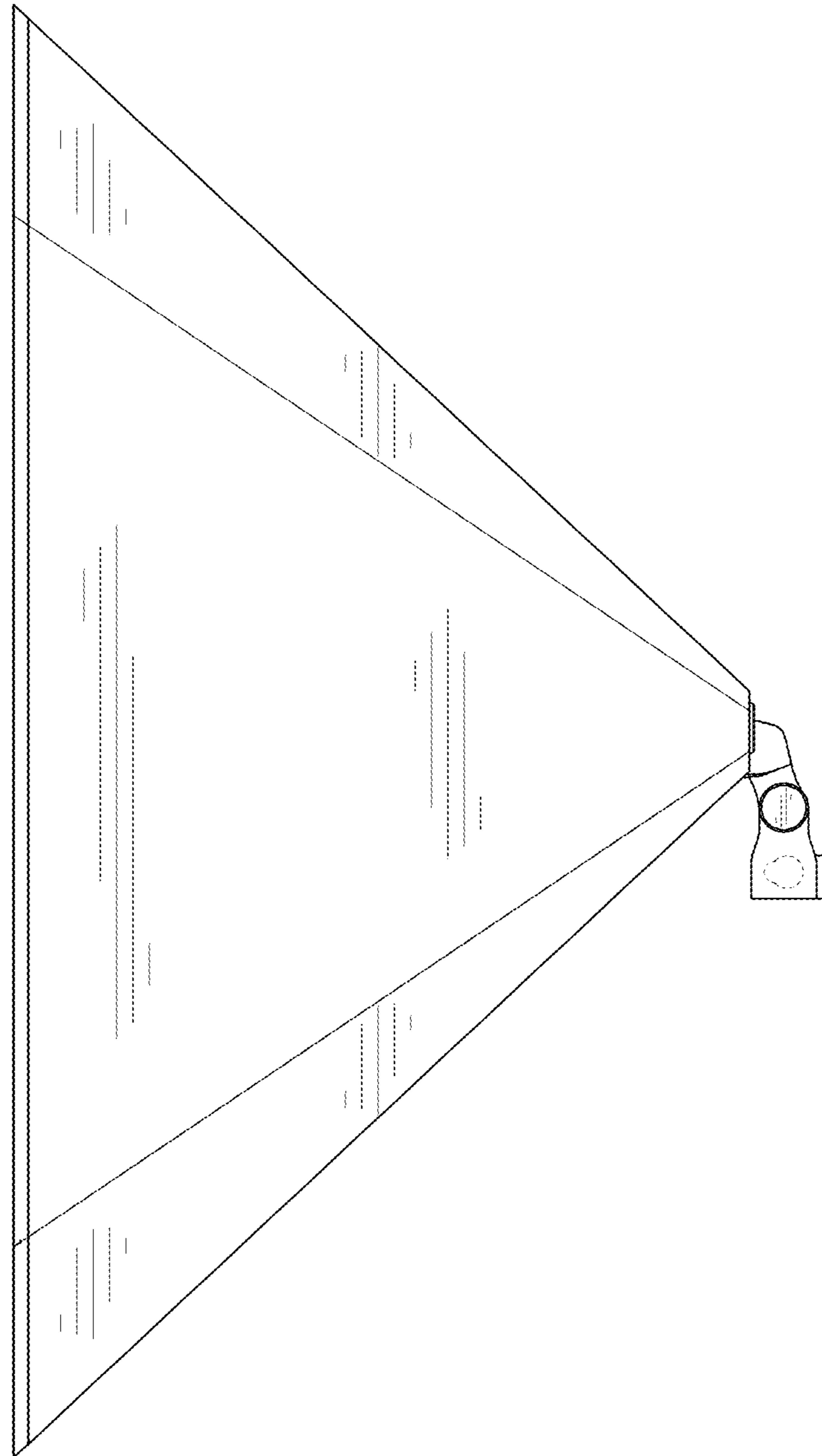


FIG. 6

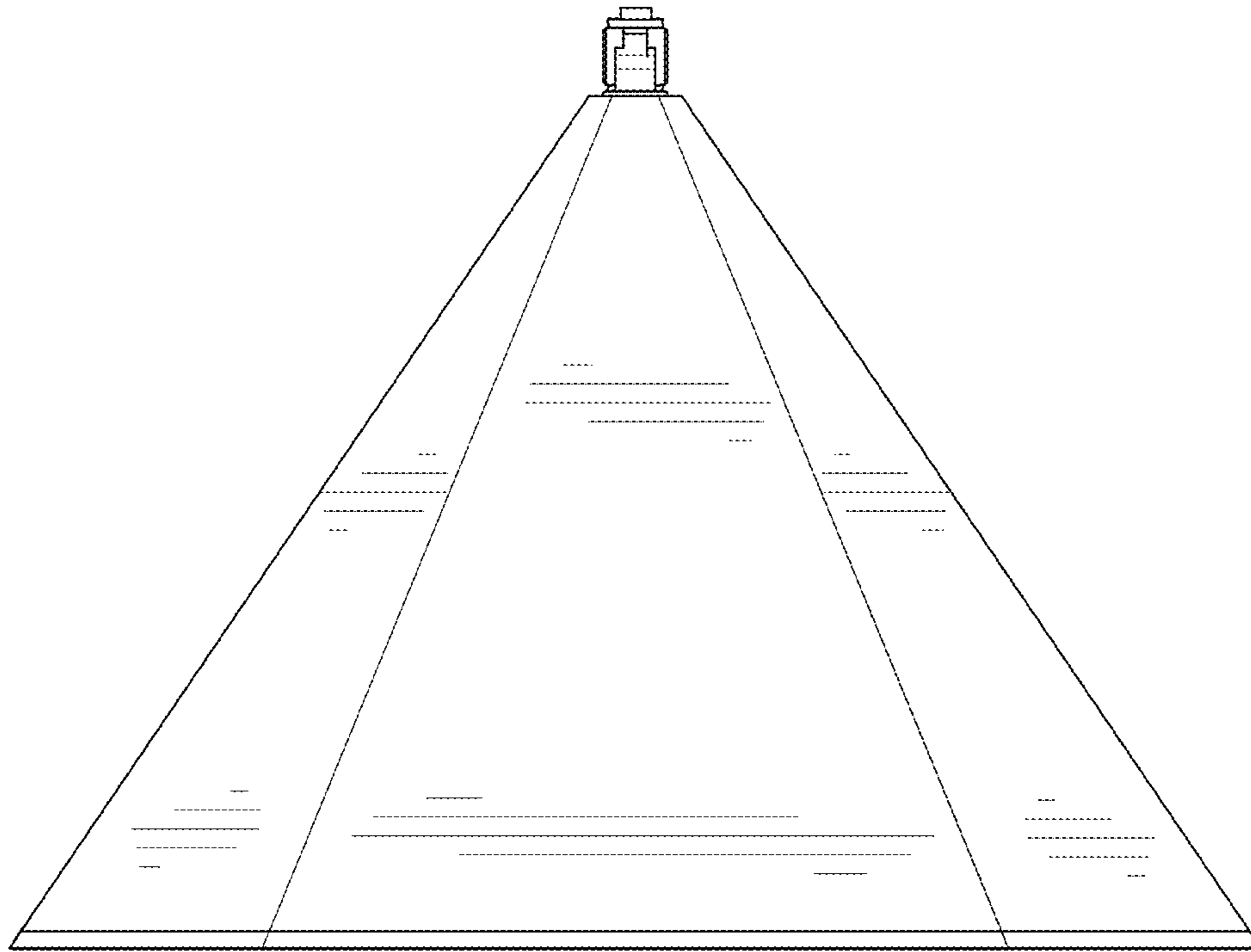


FIG. 7



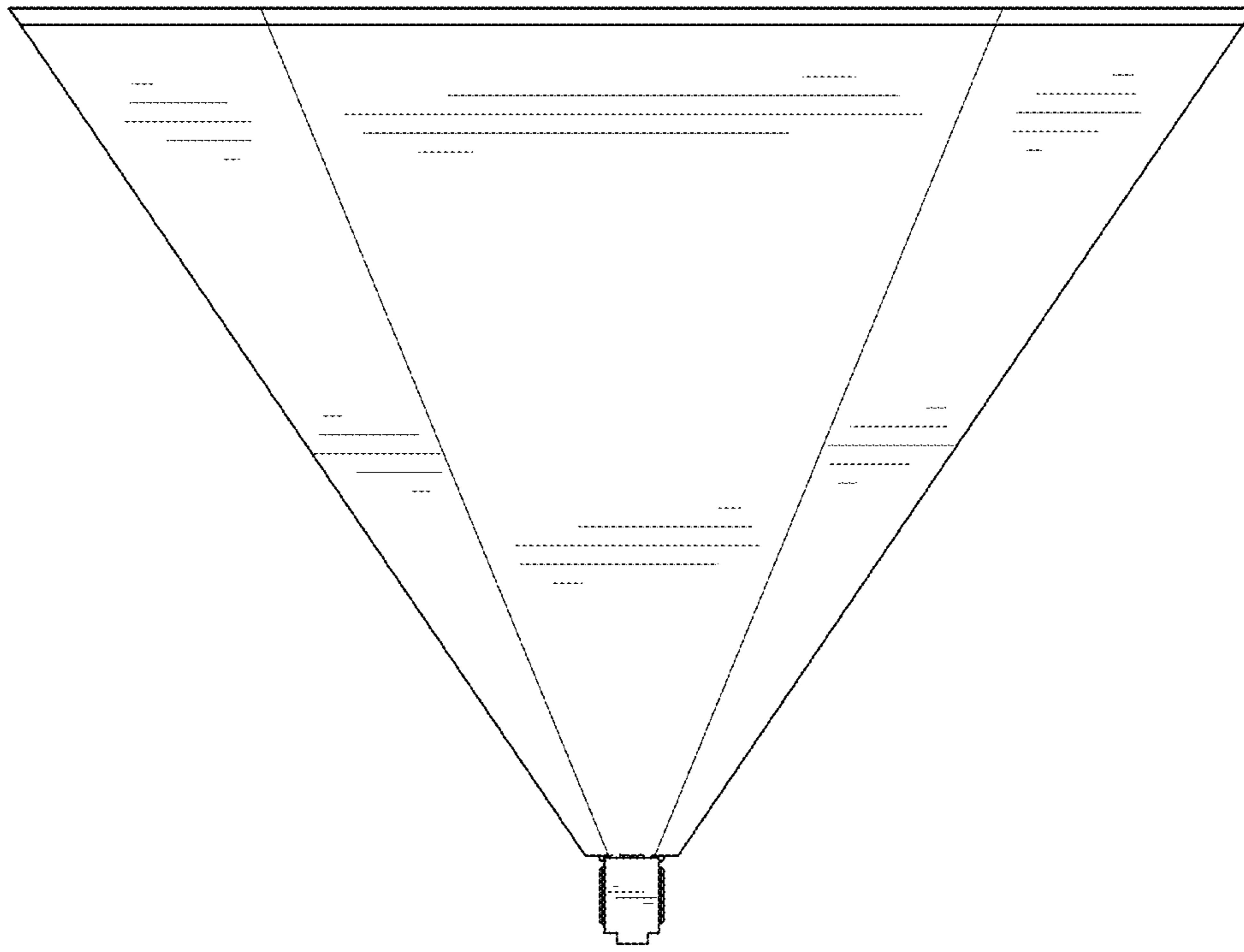


FIG. 8