



US00D971296S

(12) **United States Design Patent**  
**Wang**

(10) **Patent No.:** **US D971,296 S**

(45) **Date of Patent:** **\*\* Nov. 29, 2022**

(54) **SOFTBOX**

(71) Applicant: **Jun Wang**, Shenzhen (CN)

(72) Inventor: **Jun Wang**, Shenzhen (CN)

(\*\*) Term: **15 Years**

(21) Appl. No.: **29/841,034**

(22) Filed: **Jun. 2, 2022**

(51) **LOC (13) Cl.** ..... **16-05**

(52) **U.S. Cl.**  
USPC ..... **D16/237**

(58) **Field of Classification Search**  
USPC ..... D16/237–250; D8/354, 355, 363, 373,  
D8/382, 383, 394, 396; D14/238, 251,  
D14/253; D26/106, 118  
CPC ..... G03B 17/02; G03B 17/56; G03B 17/04;  
G03B 17/561–566; G03B 15/02; G03B  
15/03; H04N 5/2251; H04N 5/2252;  
H04N 5/2253; H04N 5/2254; G02B 7/02;  
G02B 7/04; G02B 7/14  
See application file for complete search history.

(56) **References Cited**

**U.S. PATENT DOCUMENTS**

D641,100 S	7/2011	Li	
D881,980 S	4/2020	Zhu	
D940,782 S	1/2022	Zhu	
D940,783 S	1/2022	Lin	
D946,644 S *	3/2022	Lin	D16/244
D947,274 S	3/2022	Tian	
D947,927 S	4/2022	Tian	
D956,325 S *	6/2022	Lin	D16/244
D957,038 S *	7/2022	Ke	D16/244

D963,026 S *	9/2022	Tian	D16/237
D963,030 S *	9/2022	Feng	D16/244
2006/0007666 A1 *	1/2006	Cook	G03B 15/02 362/16

\* cited by examiner

*Primary Examiner* — Ramzi Almatrahi

(74) *Attorney, Agent, or Firm* — Westbridge IP LLC

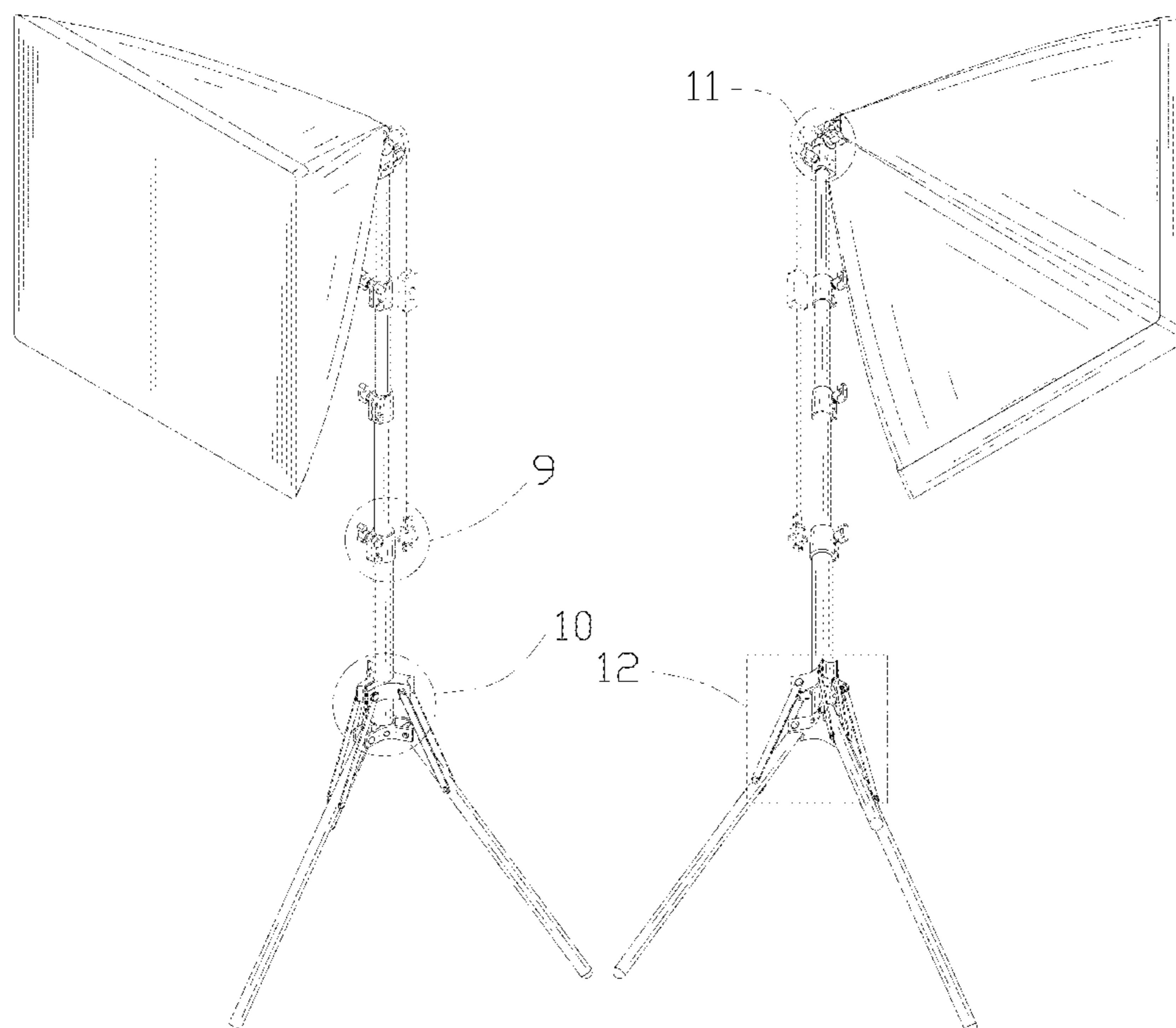
(57) **CLAIM**

The ornamental design for a softbox, as shown and described.

**DESCRIPTION**

FIG. 1 is a front perspective view of a softbox showing my new design;  
 FIG. 2 is a rear perspective view thereof;  
 FIG. 3 is a front elevation view thereof;  
 FIG. 4 is a rear elevation view thereof;  
 FIG. 5 is a left side elevation view thereof;  
 FIG. 6 is a right side elevation view thereof;  
 FIG. 7 is a top plan view thereof;  
 FIG. 8 is a bottom plan view thereof;  
 FIG. 9 is an enlarged view of portion 9 shown in FIG. 1;  
 FIG. 10 is an enlarged view of portion 10 shown in FIG. 1;  
 FIG. 11 is an enlarged view of portion 11 shown in FIG. 2;  
 FIG. 12 is an enlarged view of portion 12 shown in FIG. 2;  
 and,  
 FIG. 13 is an exploded front perspective view thereof.  
 The broken lines depict portions of the softbox that form no part of the claimed design. Additionally, the dot-dash broken lines encircling an enlargement portion of the design forms no part of the claimed design.

**1 Claim, 13 Drawing Sheets**



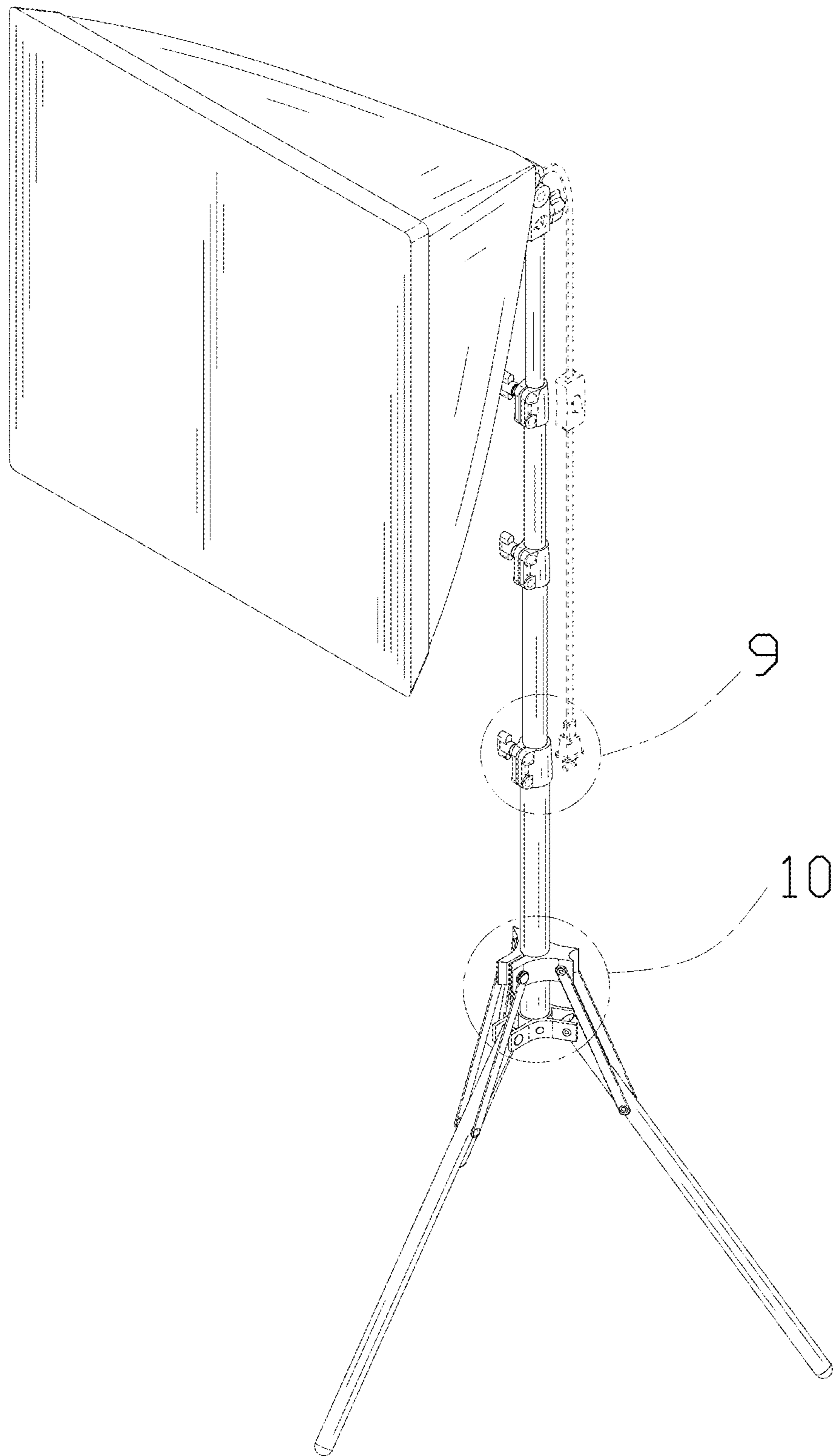


FIG. 1

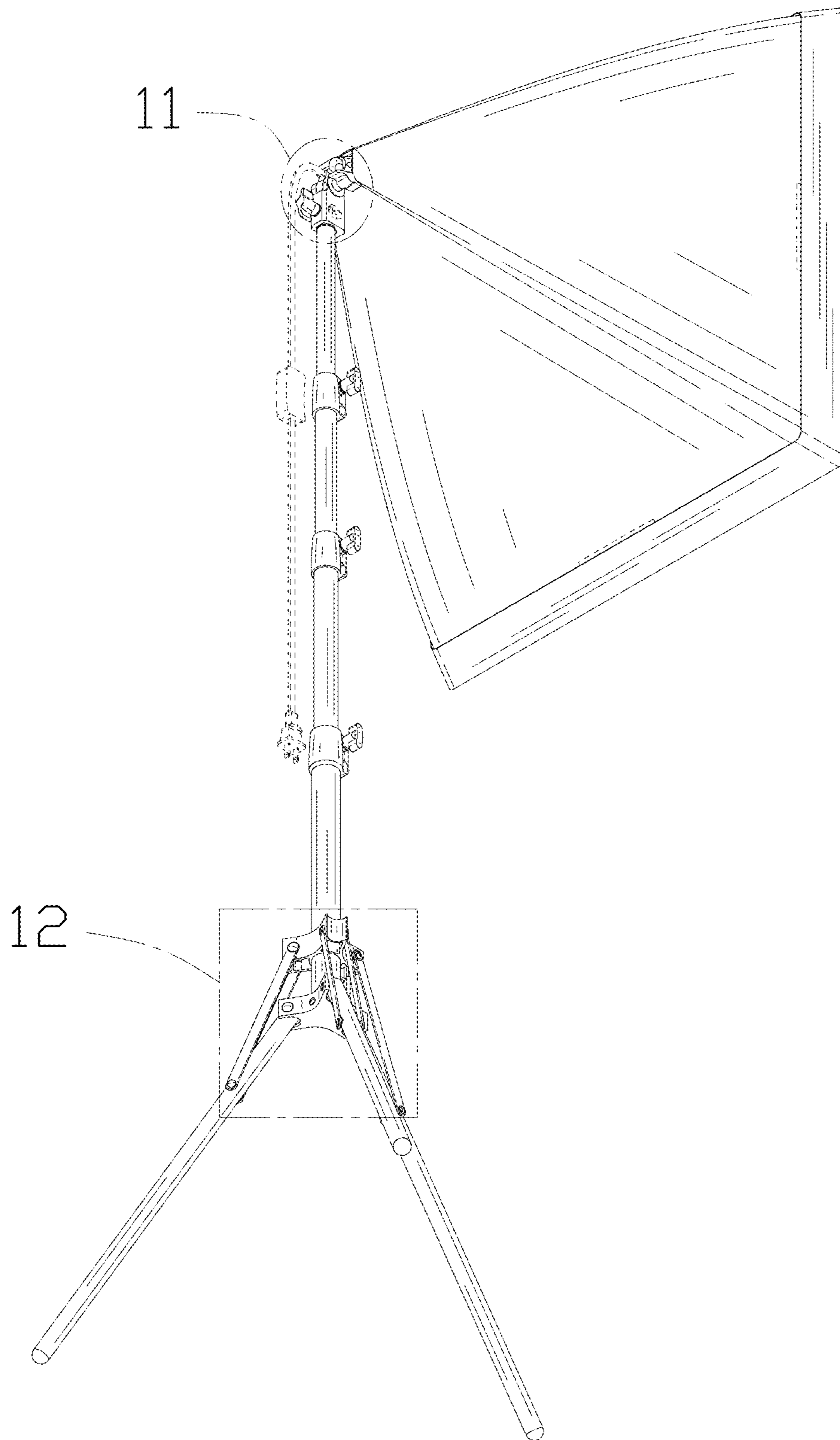


FIG. 2

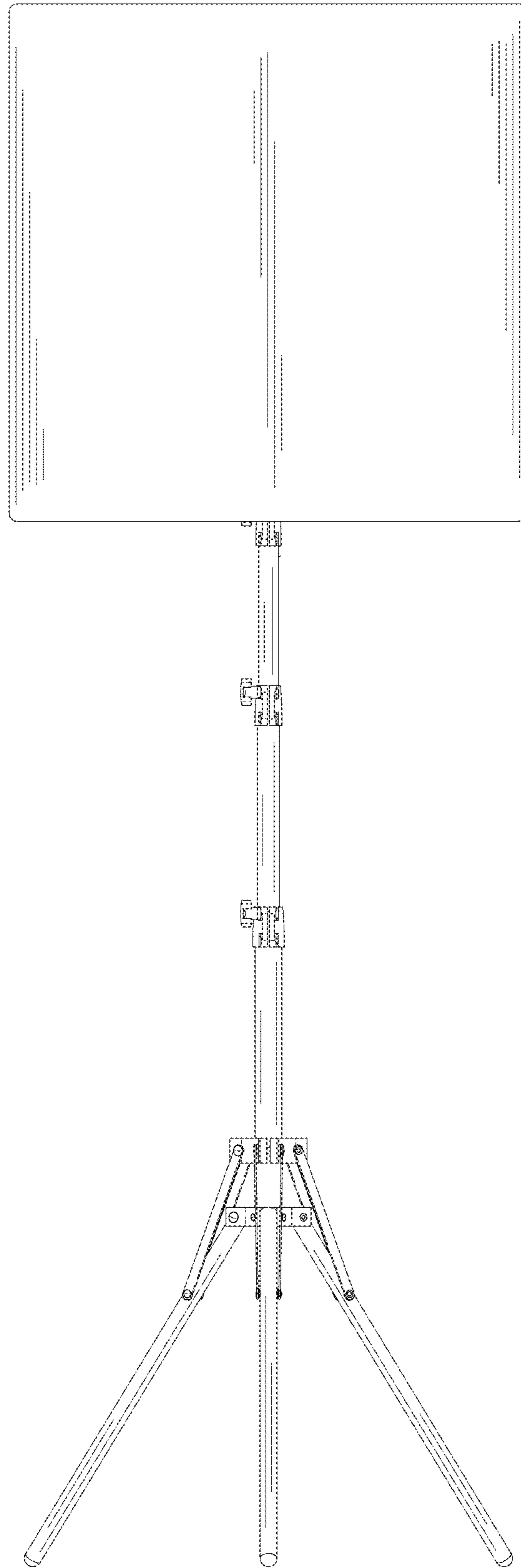


FIG. 3

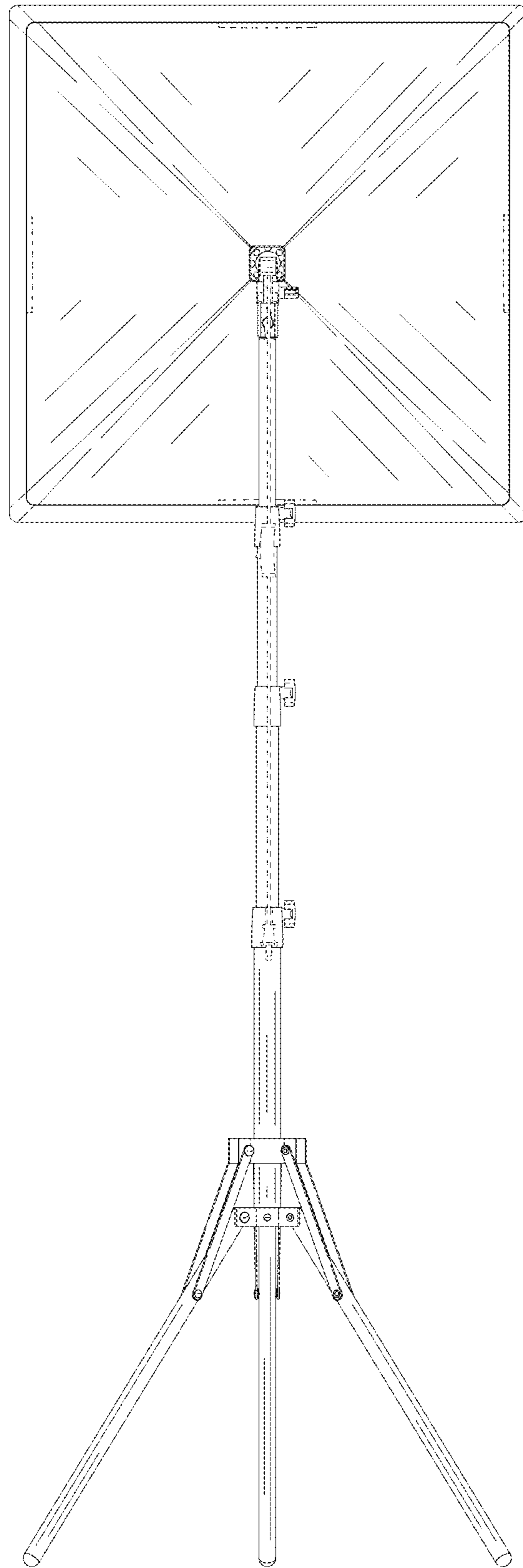


FIG. 4

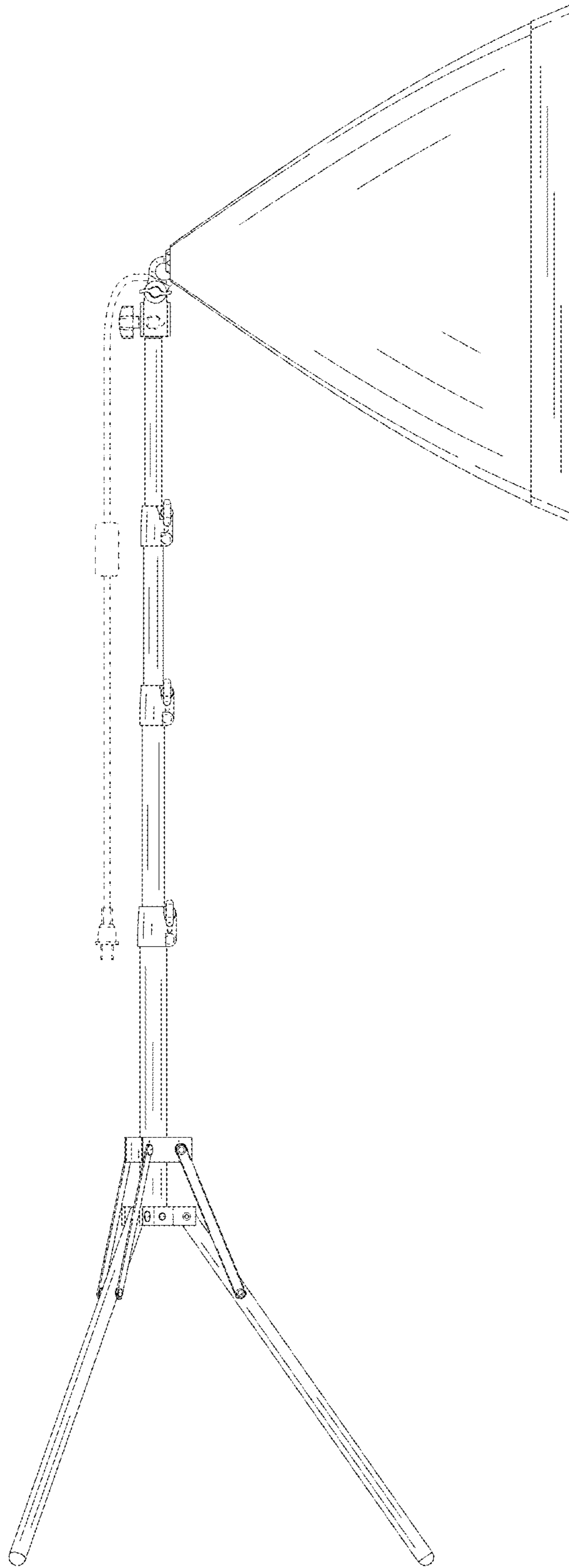


FIG. 5

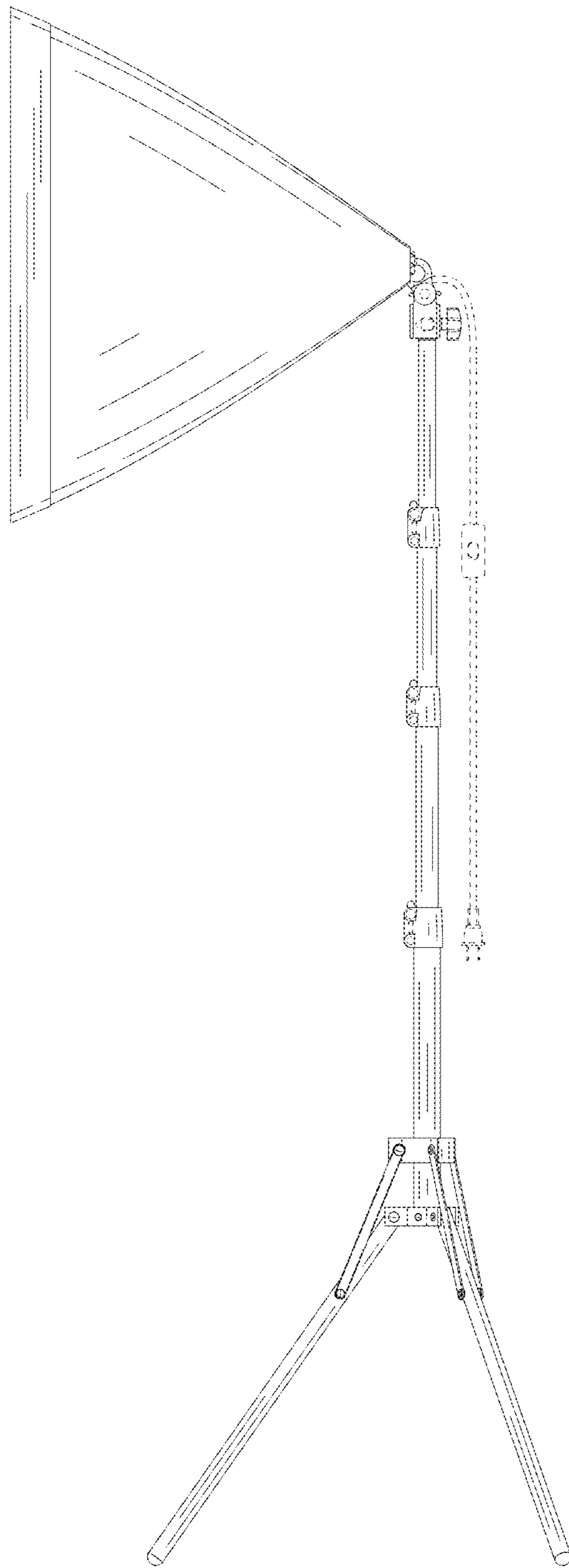


FIG. 6

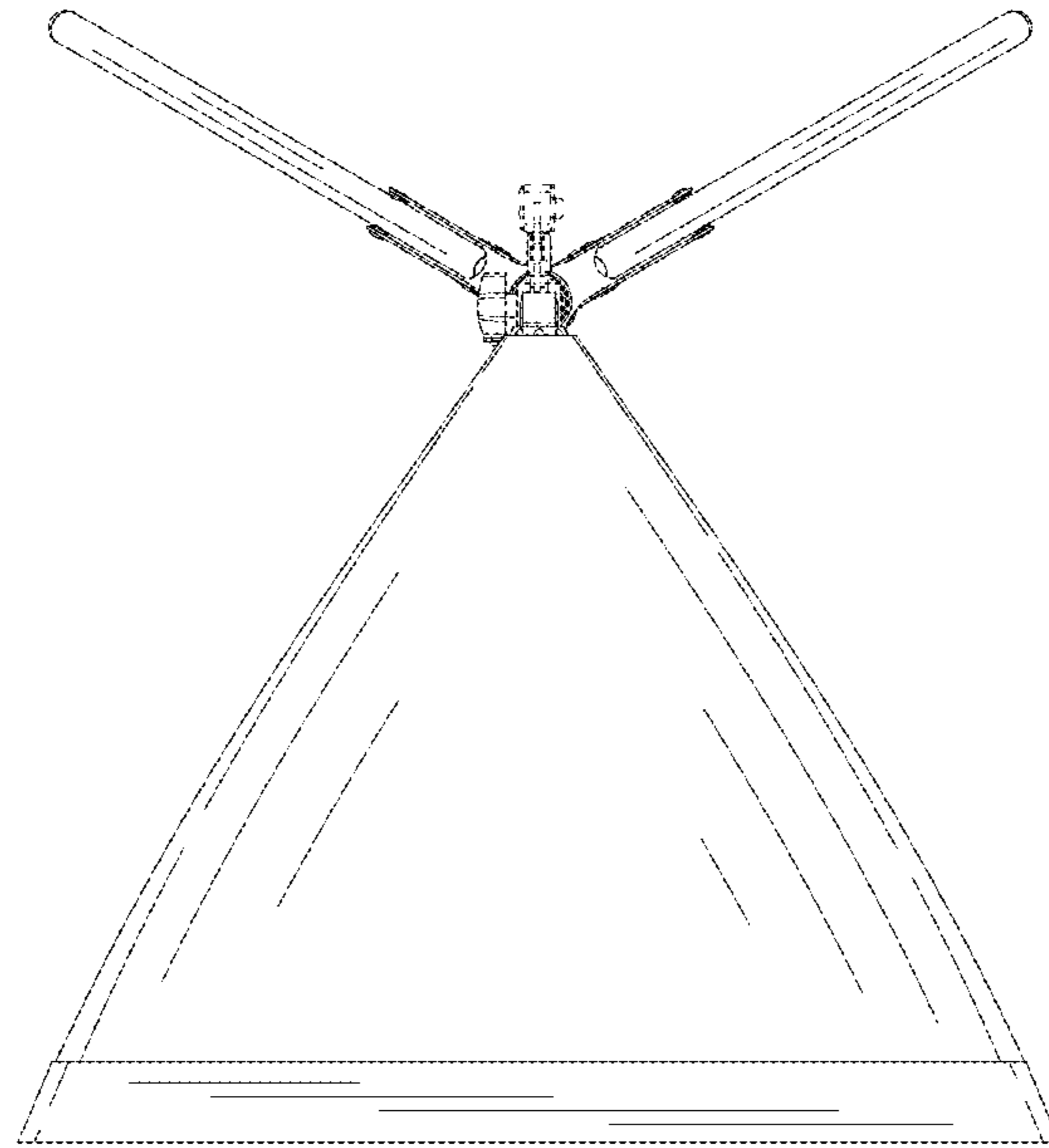


FIG. 7



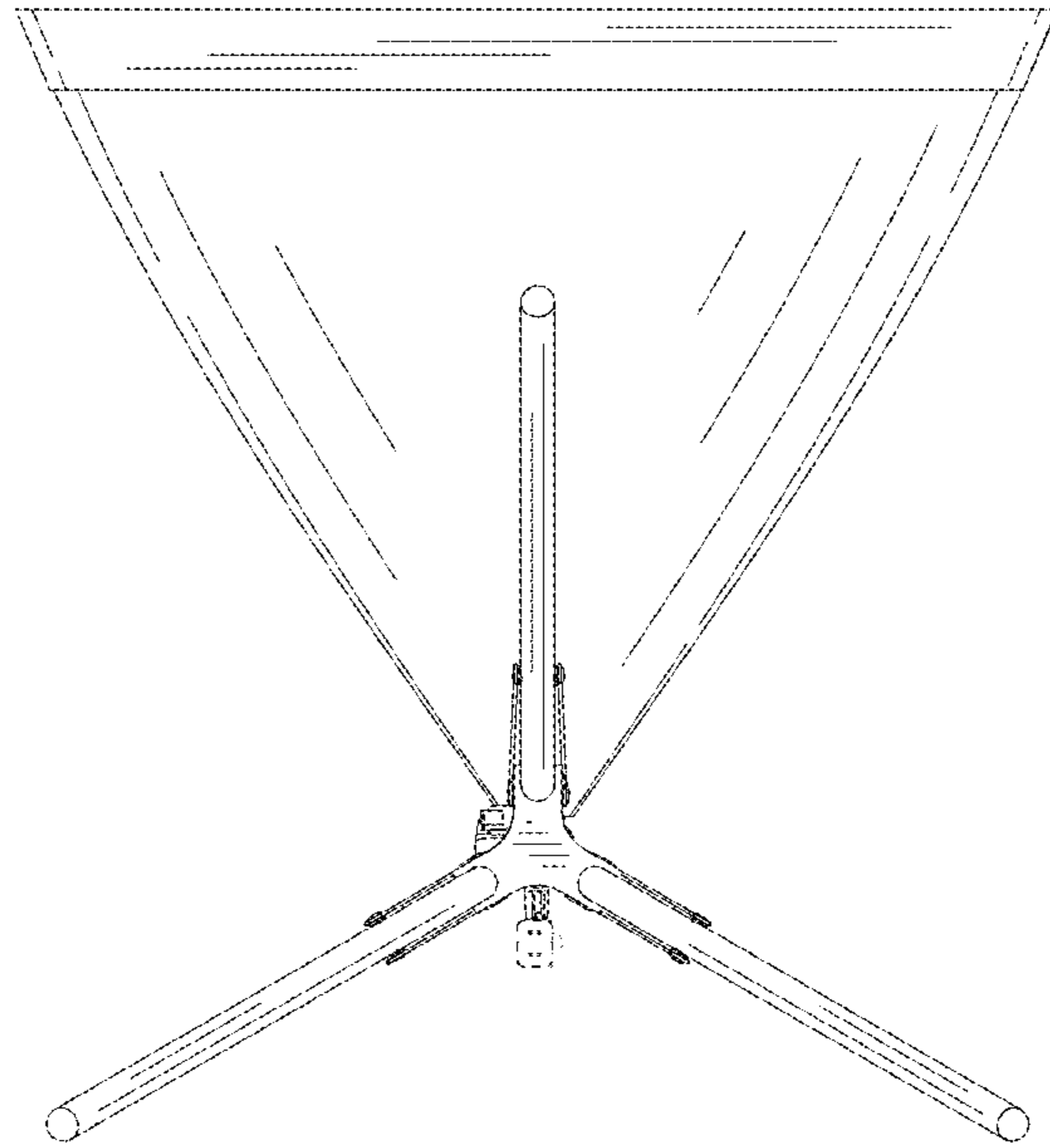


FIG. 8

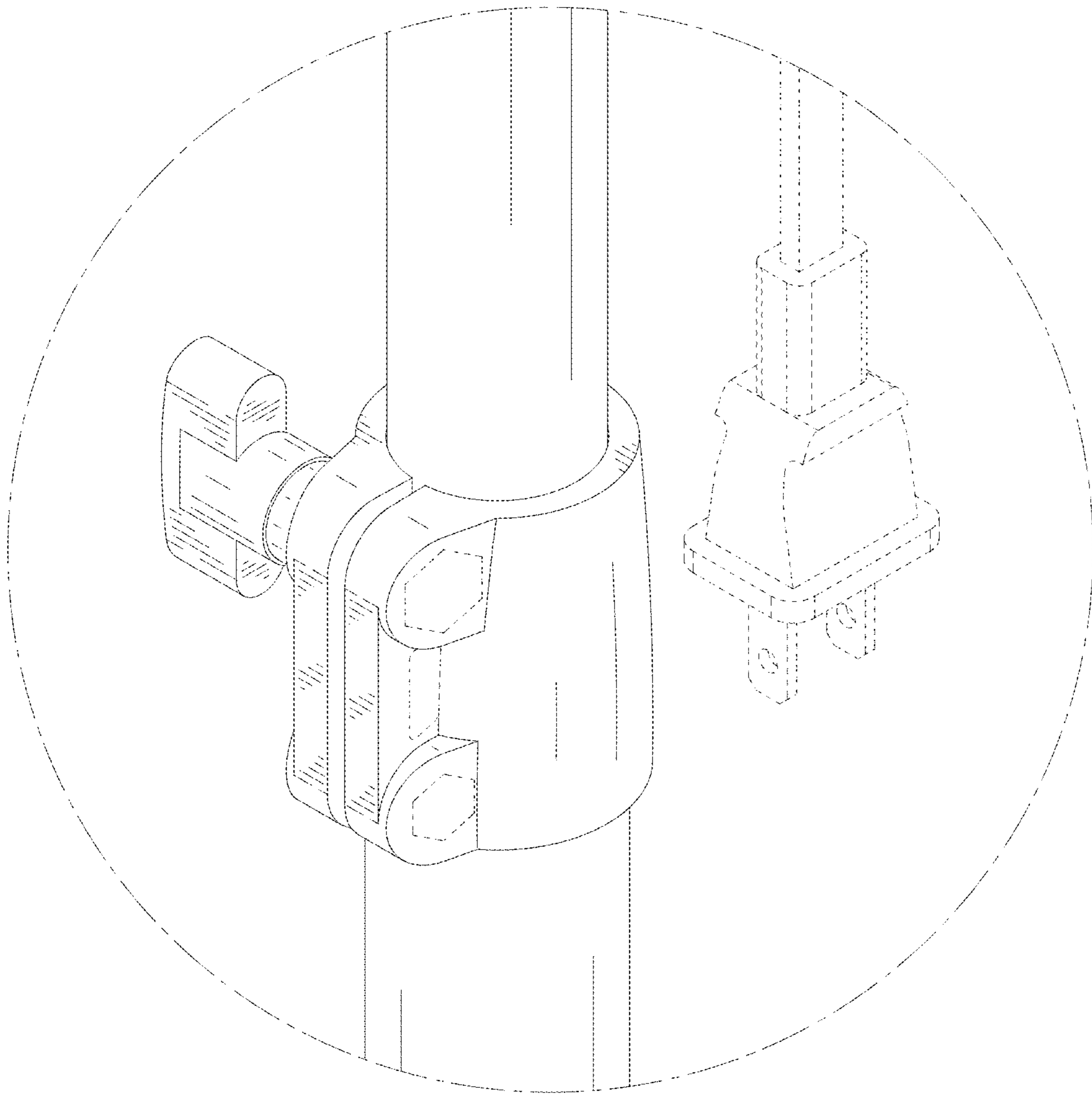


FIG. 9

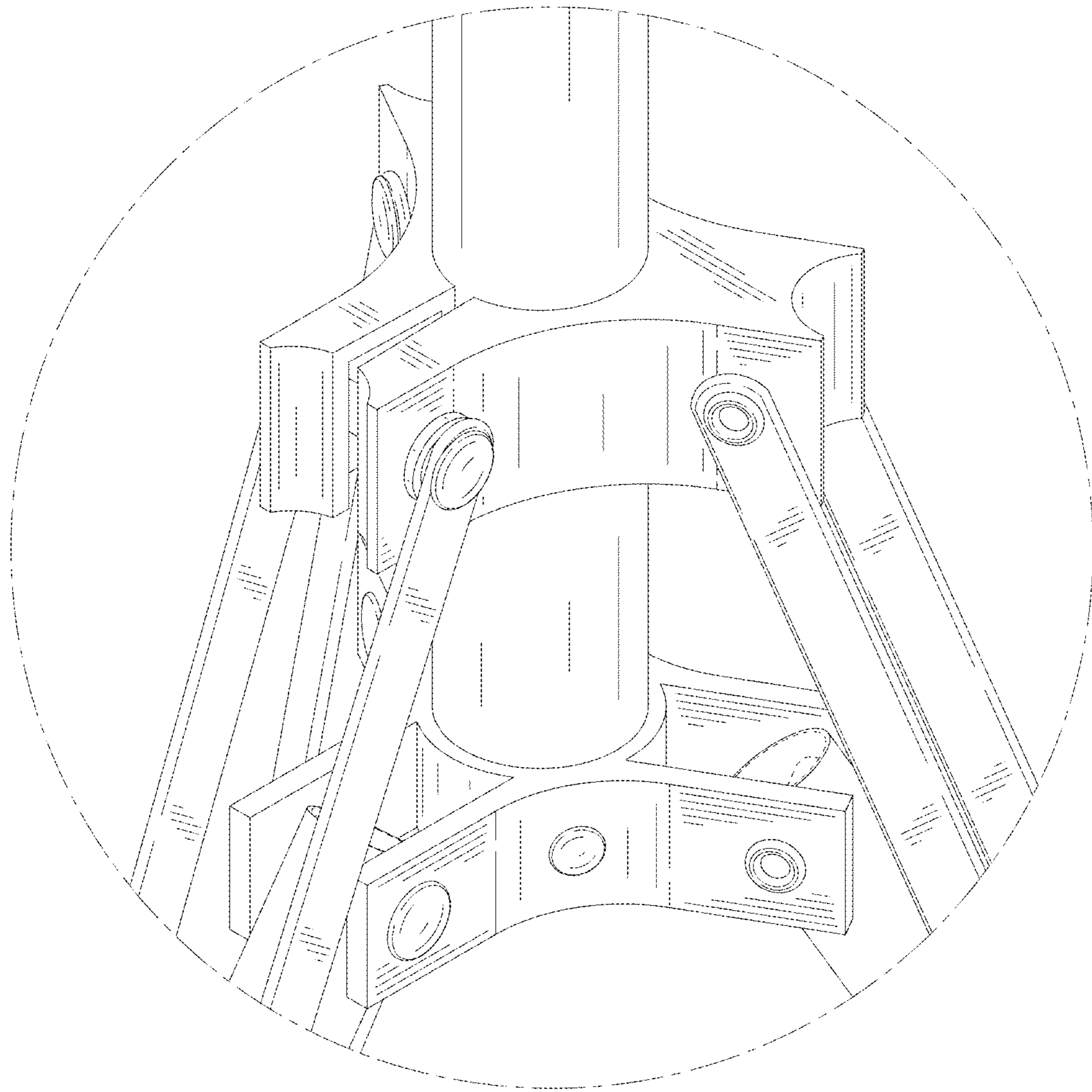


FIG. 10

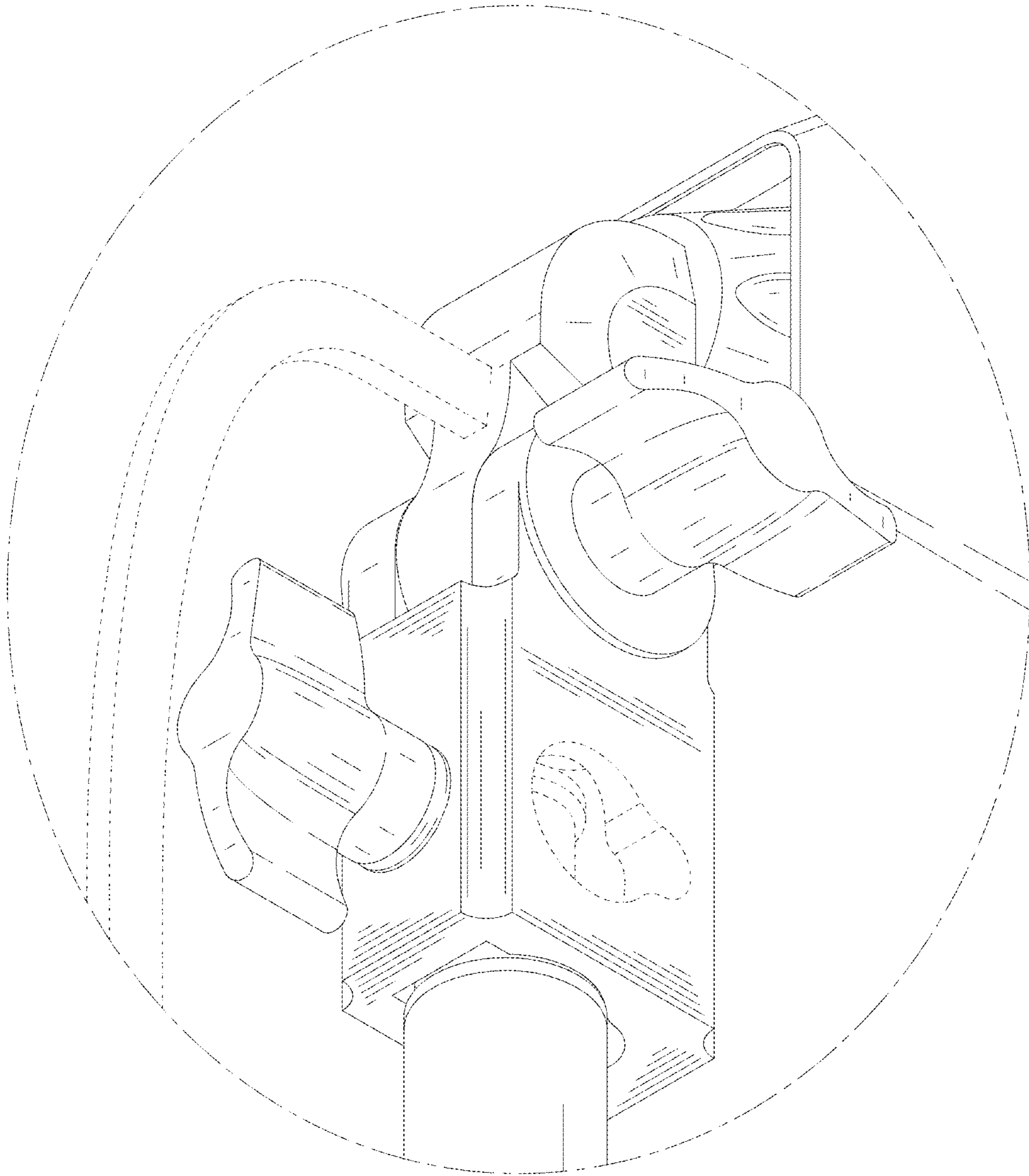


FIG. 11

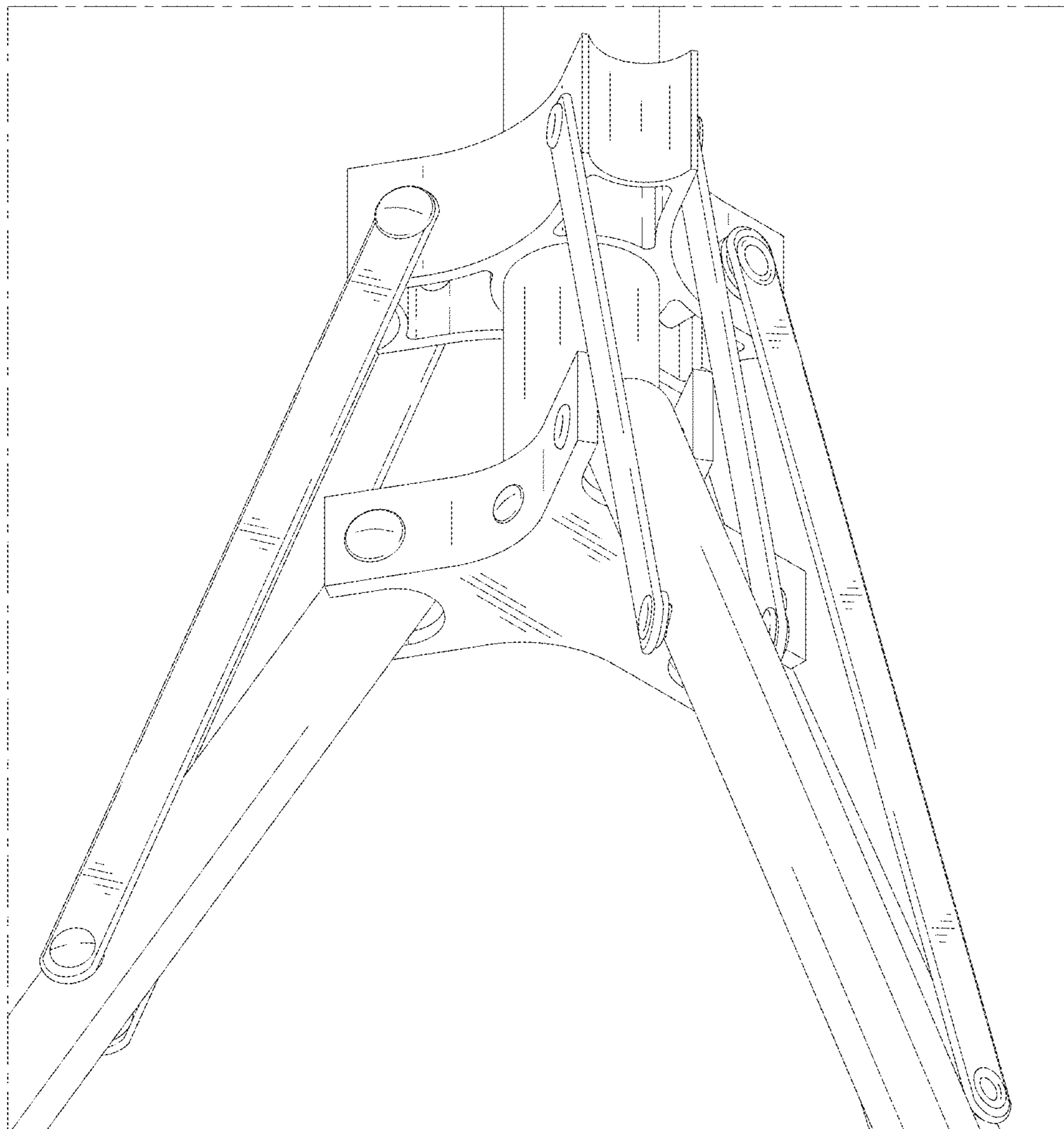


FIG. 12

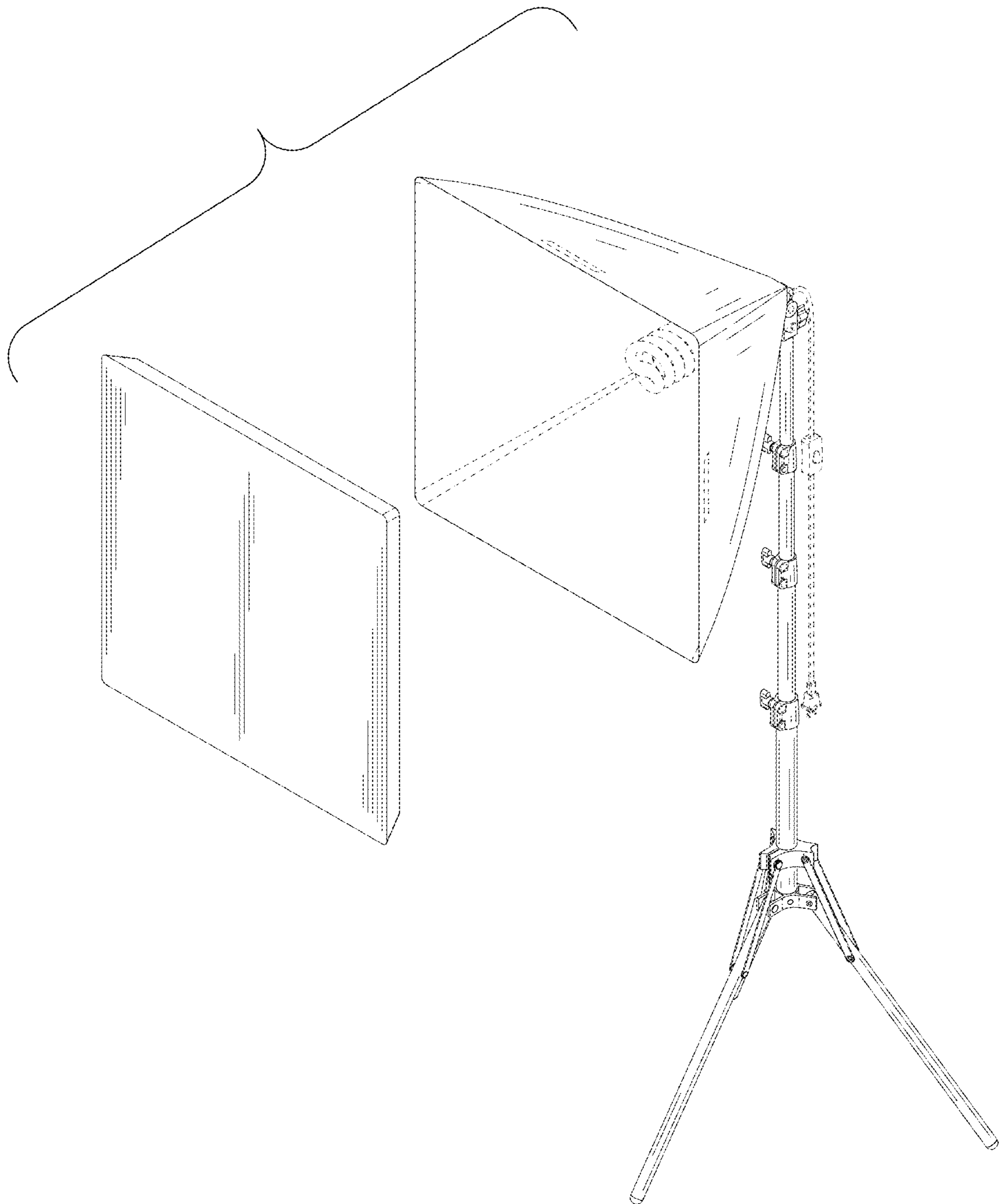


FIG. 13