



US00D971294S

(12) **United States Design Patent**  
**Gao**

(10) **Patent No.:** **US D971,294 S**

(45) **Date of Patent:** **\*\* Nov. 29, 2022**

(54) **PROJECTOR**

(71) Applicant: **SHENZHEN AOKANG TECHNOLOGY CO., LTD.**, Shenzhen (CN)

(72) Inventor: **Hongbing Gao**, Shenzhen (CN)

(73) Assignee: **SHENZHEN AOKANG TECHNOLOGY CO., LTD.**, Shenzhen (CN)

(\*\*) Term: **15 Years**

(21) Appl. No.: **29/797,507**

(22) Filed: **Jun. 30, 2021**

(30) **Foreign Application Priority Data**

Jun. 23, 2021 (CN) ..... 202130390948.3

(51) **LOC (13) Cl.** ..... **16-02**

(52) **U.S. Cl.**  
USPC ..... **D16/230**

(58) **Field of Classification Search**  
USPC ..... D16/221, 225, 230-231, 234; D21/514  
CPC ..... G03B 21/00; G03B 21/14; G03B 21/145;  
G03B 21/16; G03B 21/001; G03B 21/003; G03B 21/12  
See application file for complete search history.

(56) **References Cited**

**U.S. PATENT DOCUMENTS**

D633,125 S \* 2/2011 Han ..... D16/230  
8,104,902 B2 \* 1/2012 Mao ..... G03B 21/145  
348/241

D831,096 S \* 10/2018 Gao ..... D16/230  
D850,518 S \* 6/2019 Gan ..... D16/230  
D946,643 S \* 3/2022 Wei ..... D16/230  
D950,631 S \* 5/2022 Liang ..... D16/230  
D952,024 S \* 5/2022 Yamamoto ..... D16/230  
D952,731 S \* 5/2022 Lin ..... D16/230  
D956,853 S \* 7/2022 Gao ..... D16/230  
D958,229 S \* 7/2022 Wei ..... D16/230

\* cited by examiner

*Primary Examiner* — Wan Laymon

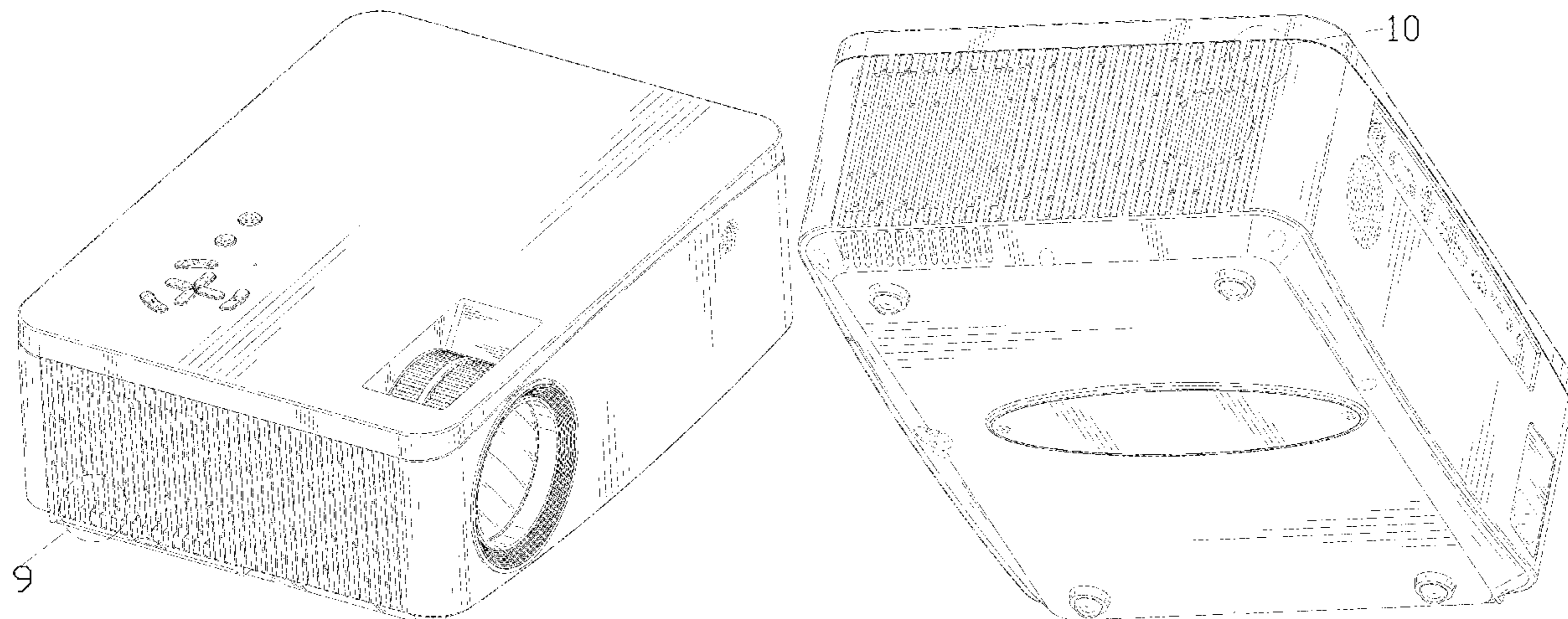
(57) **CLAIM**

The ornamental design for a projector, as shown and described.

**DESCRIPTION**

FIG. 1 is a perspective view of a projector showing my new design;  
FIG. 2 is another perspective view thereof;  
FIG. 3 is a front elevational view thereof;  
FIG. 4 is a rear elevational view thereof;  
FIG. 5 is a left side elevational view thereof;  
FIG. 6 is a right side elevational view thereof;  
FIG. 7 is a top plan view thereof;  
FIG. 8 is a bottom plan view thereof;  
FIG. 9 is an enlarged view of the projector shown within the area designated as 9 in FIG. 1; and,  
FIG. 10 is an enlarged view of the projector shown within the area designated as 10 in FIG. 2.  
The broken lines in the drawings are for the purpose of illustrating portions of the projector that form no part of the claimed design. The dot-dashed broken line in FIGS. 9-10 shows the boundary of the enlarged view and forms no part of the claimed design.

**1 Claim, 10 Drawing Sheets**



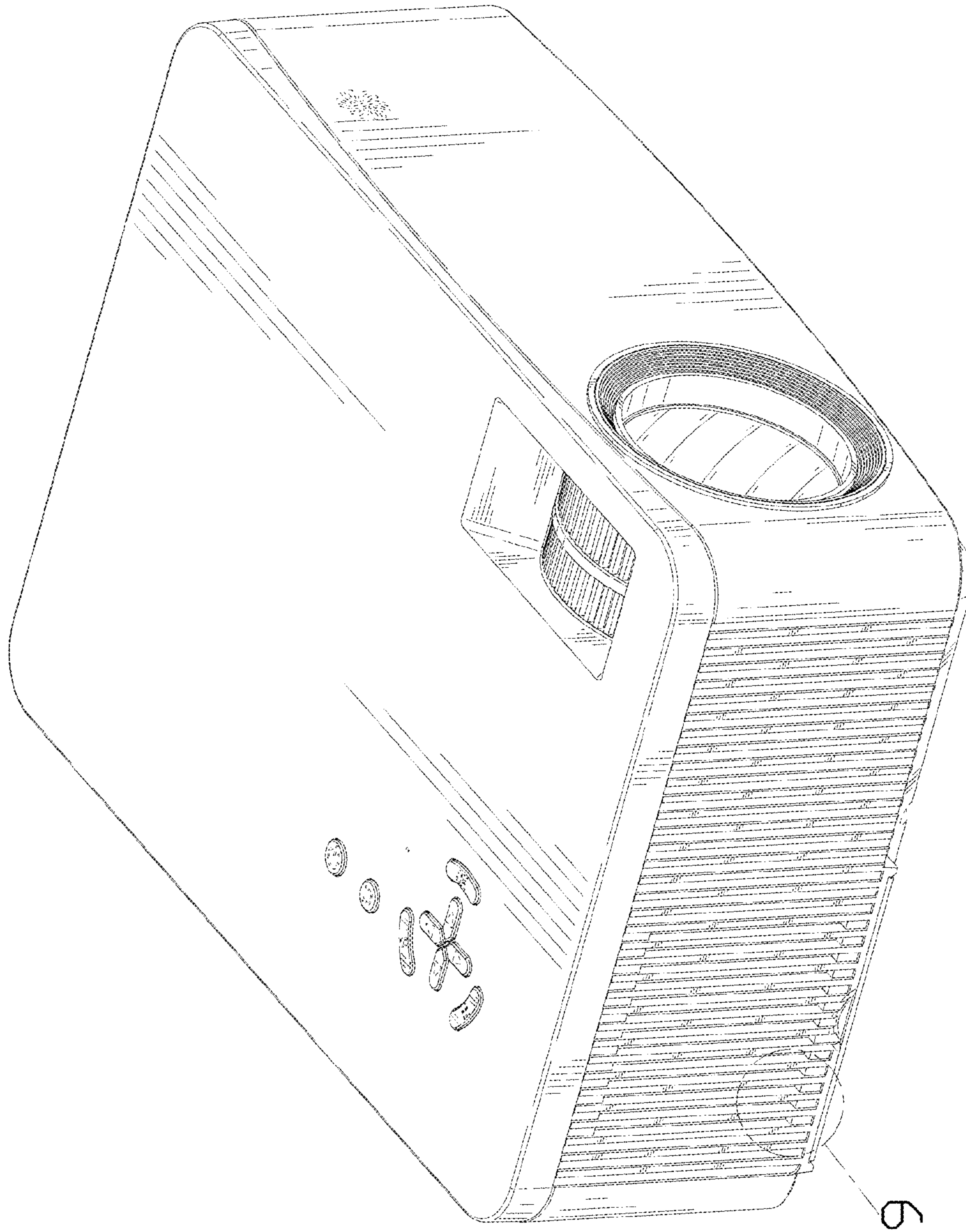


FIG. 1



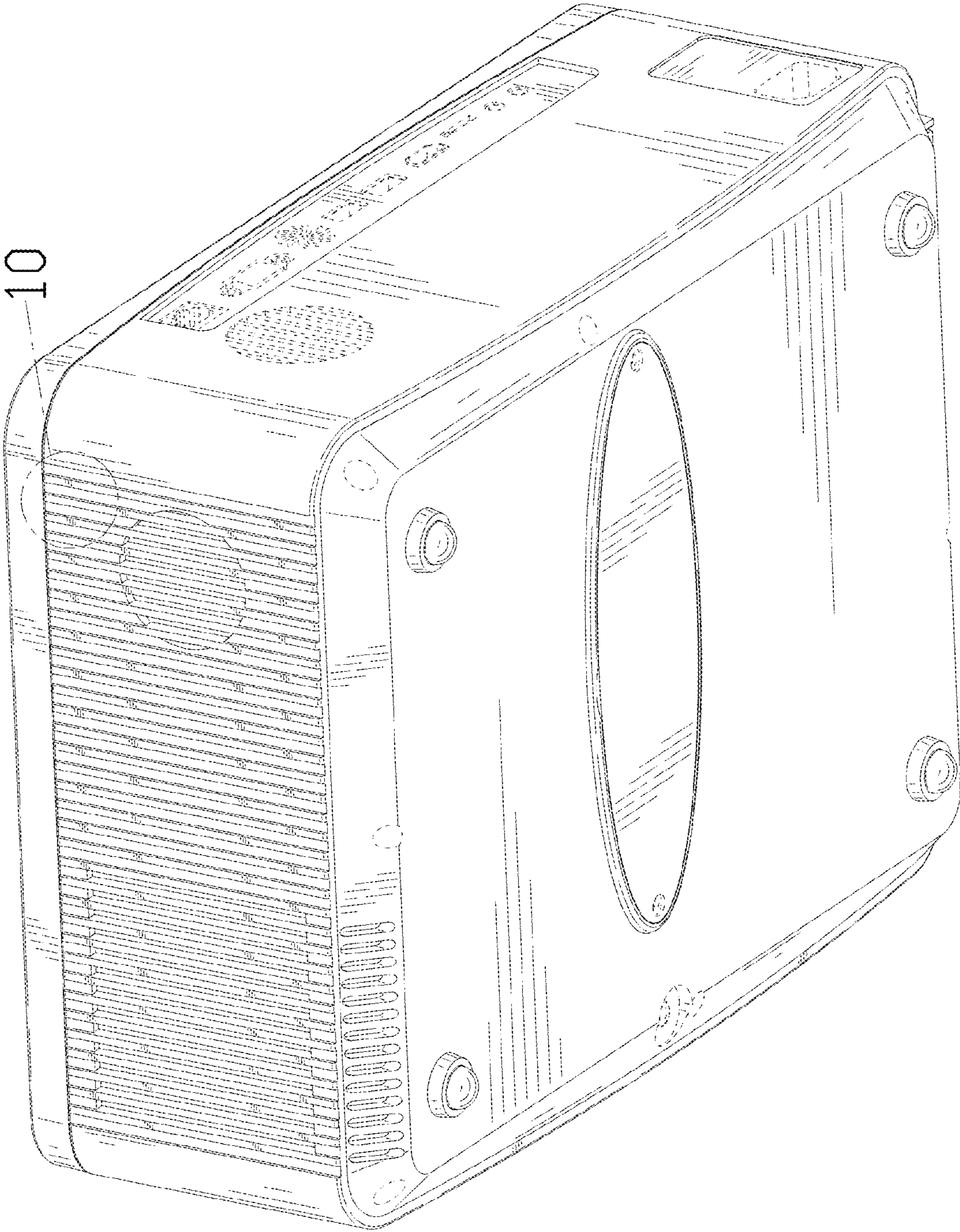


FIG. 2

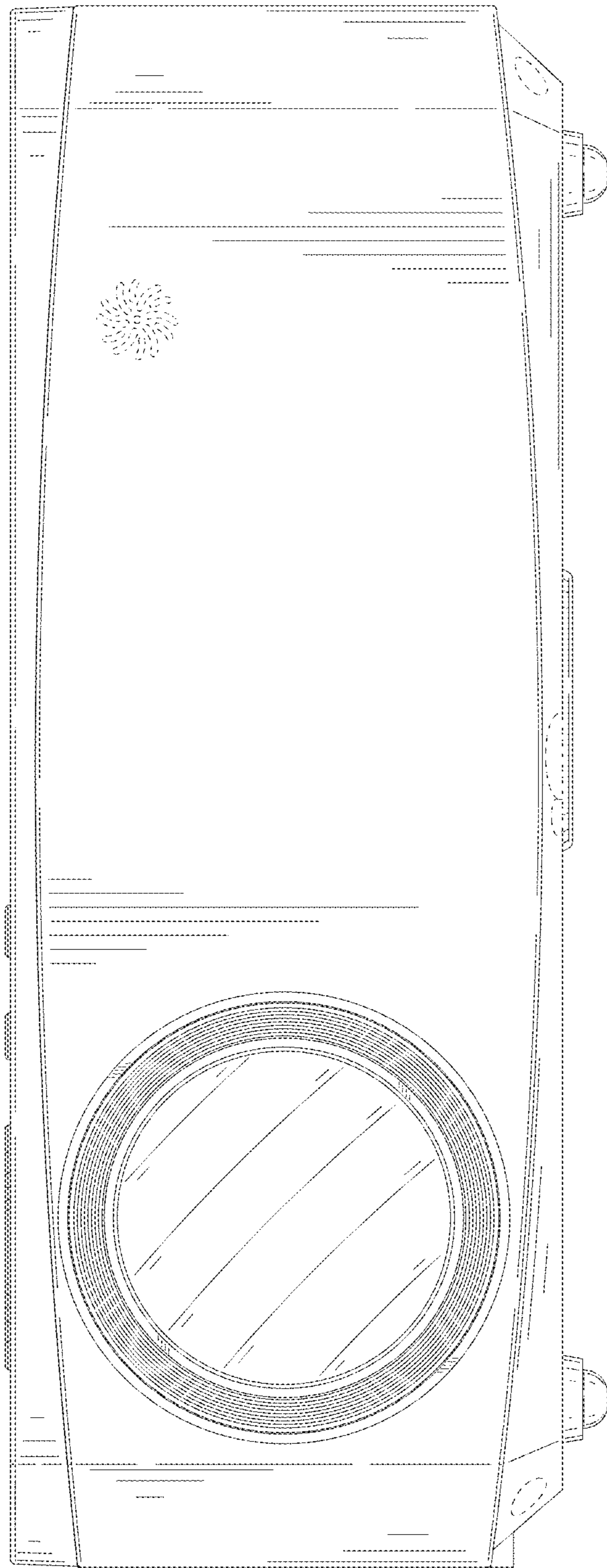


FIG. 3

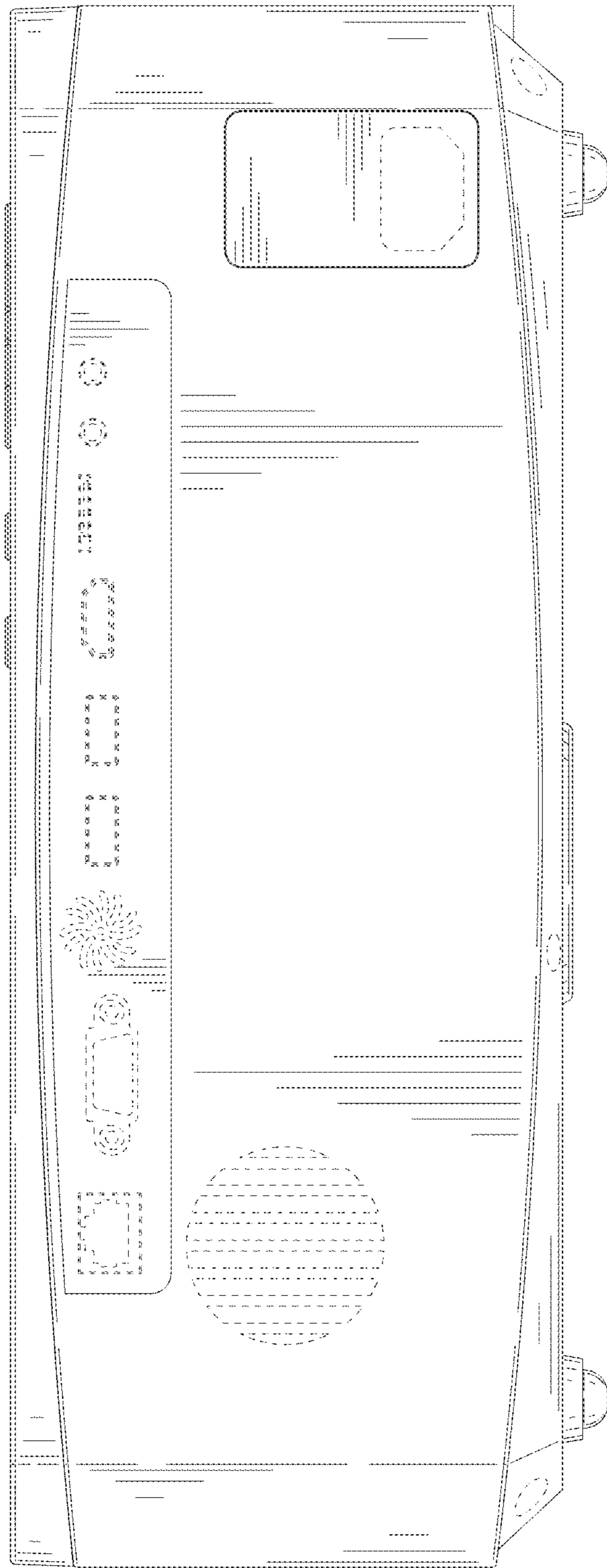


FIG. 4

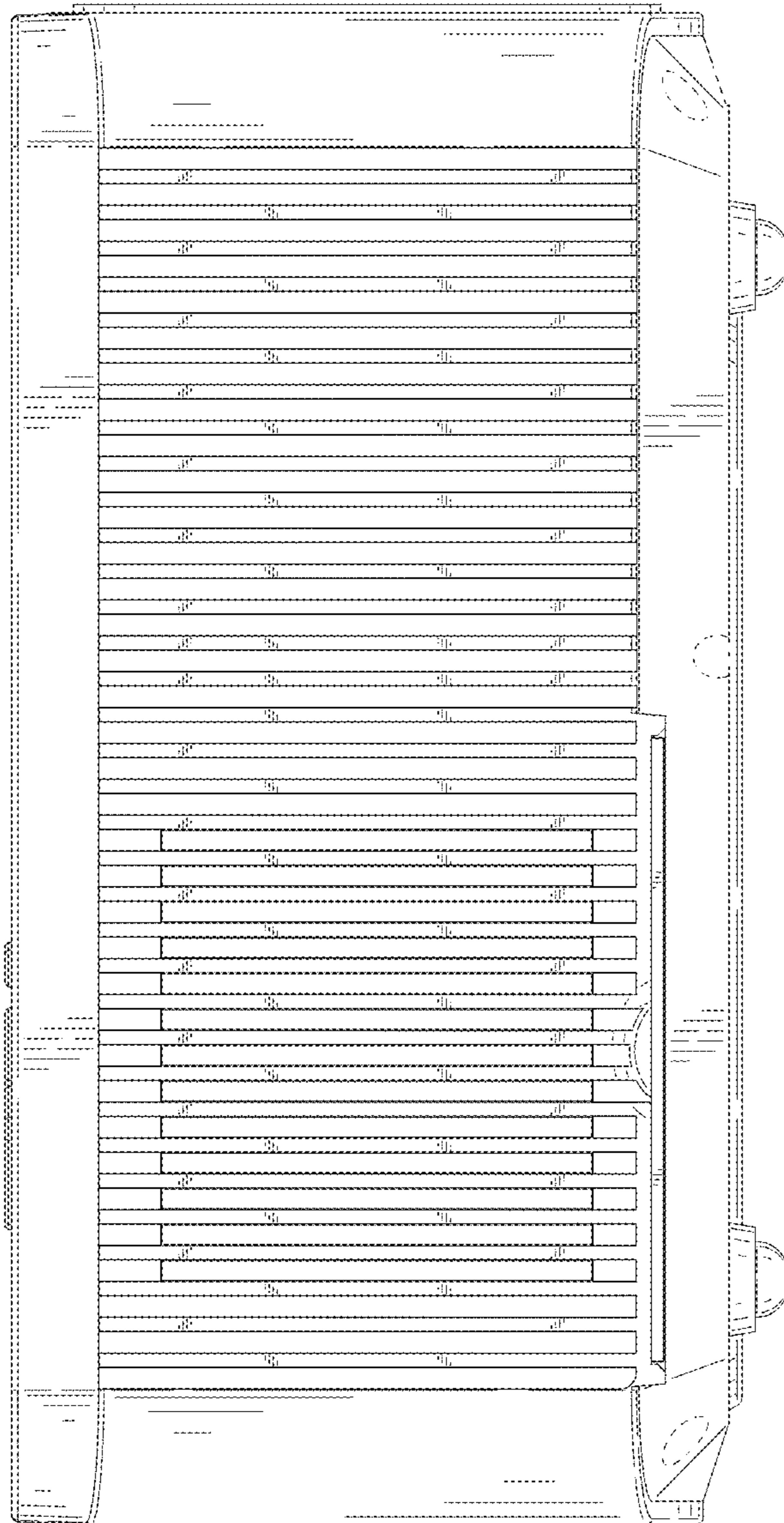


FIG. 5



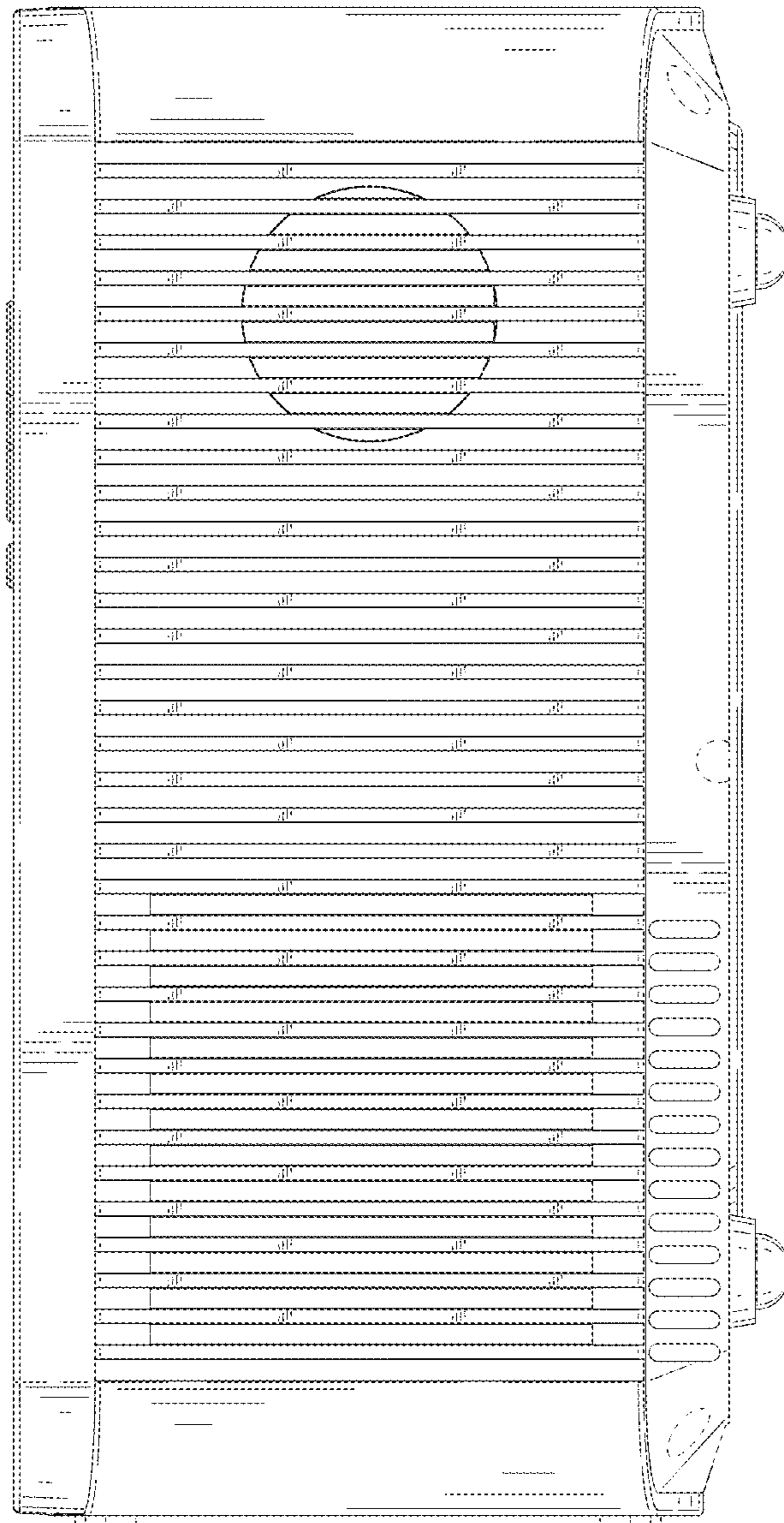


FIG. 6

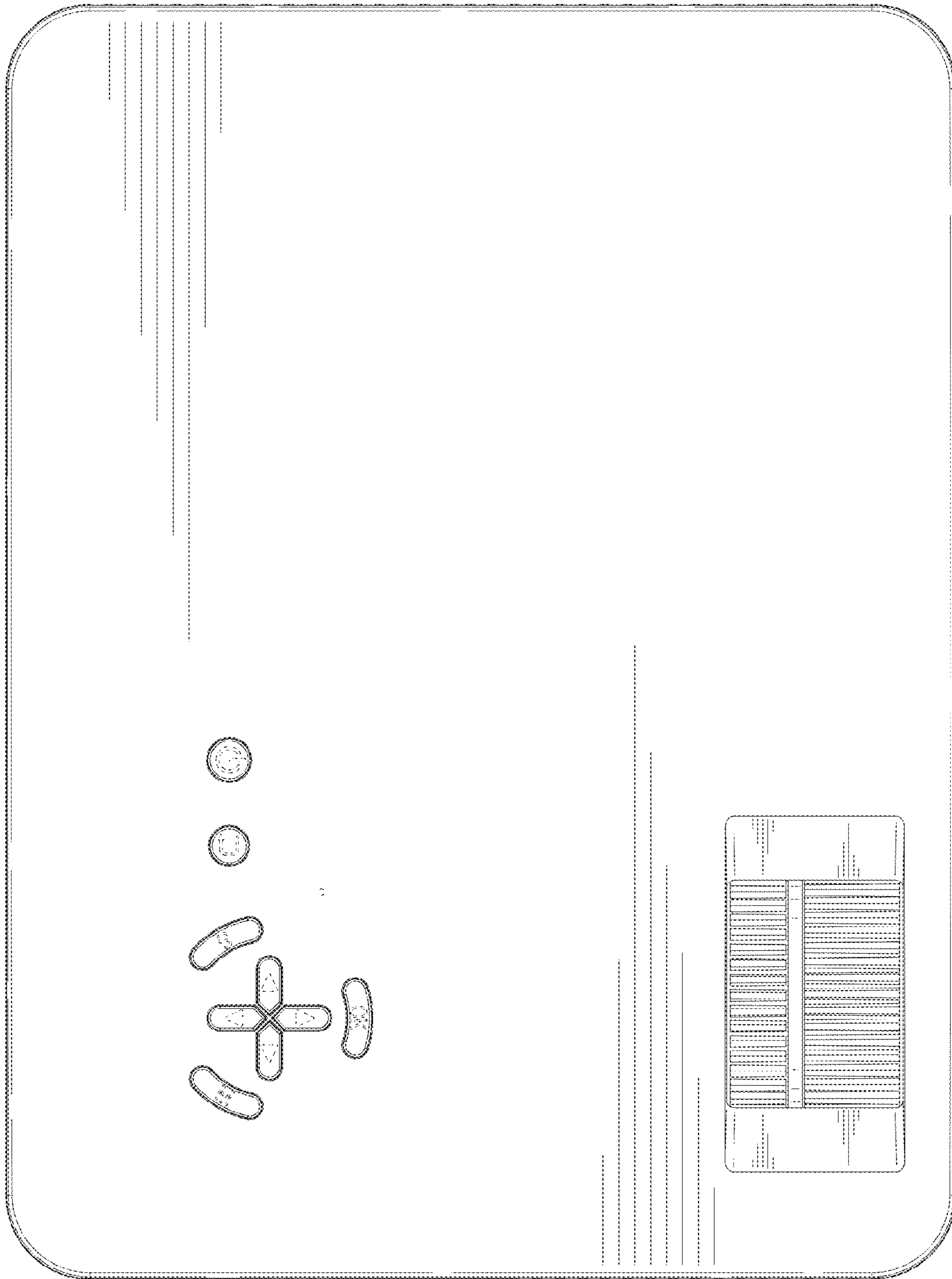


FIG. 7



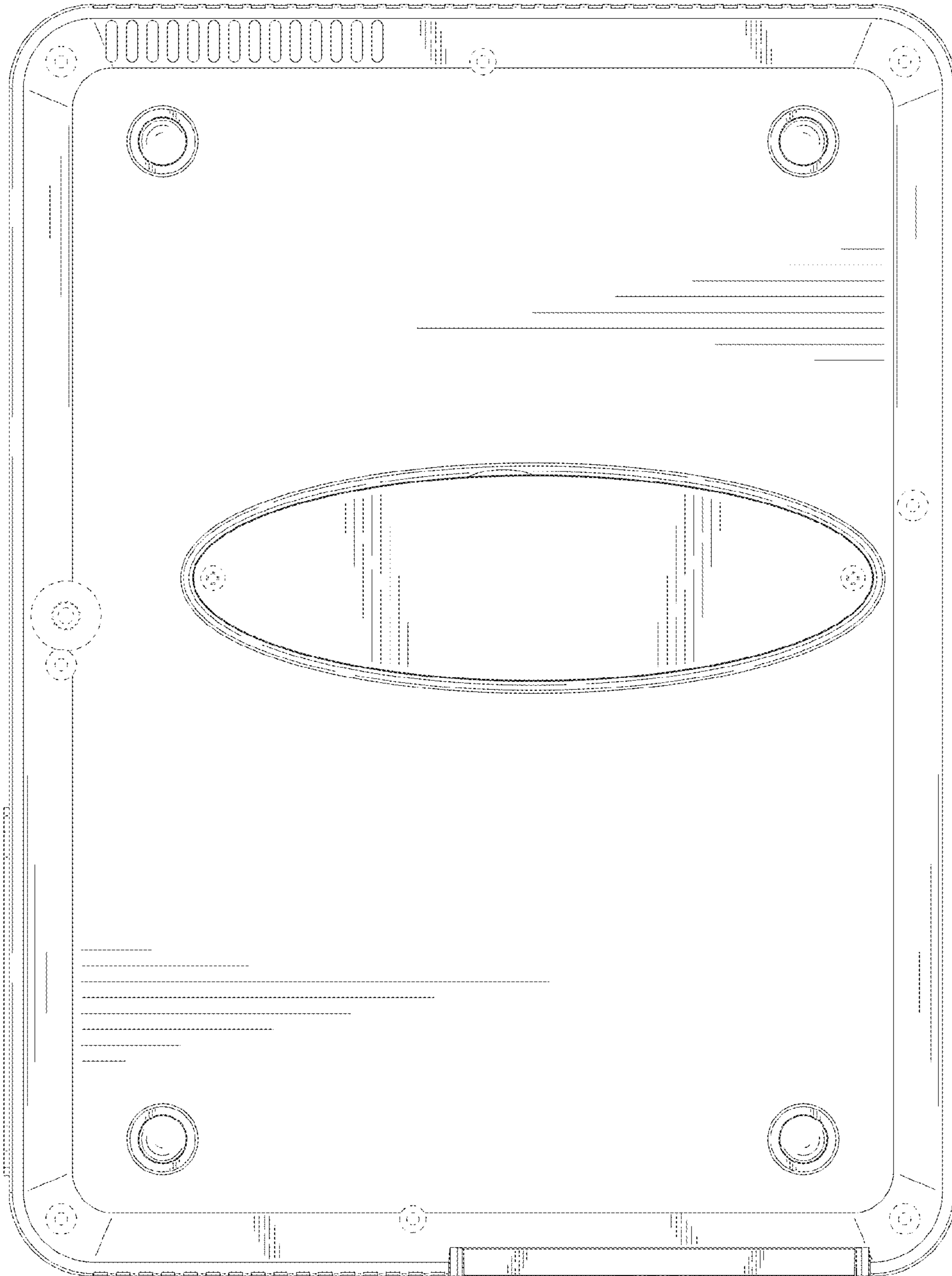


FIG. 8

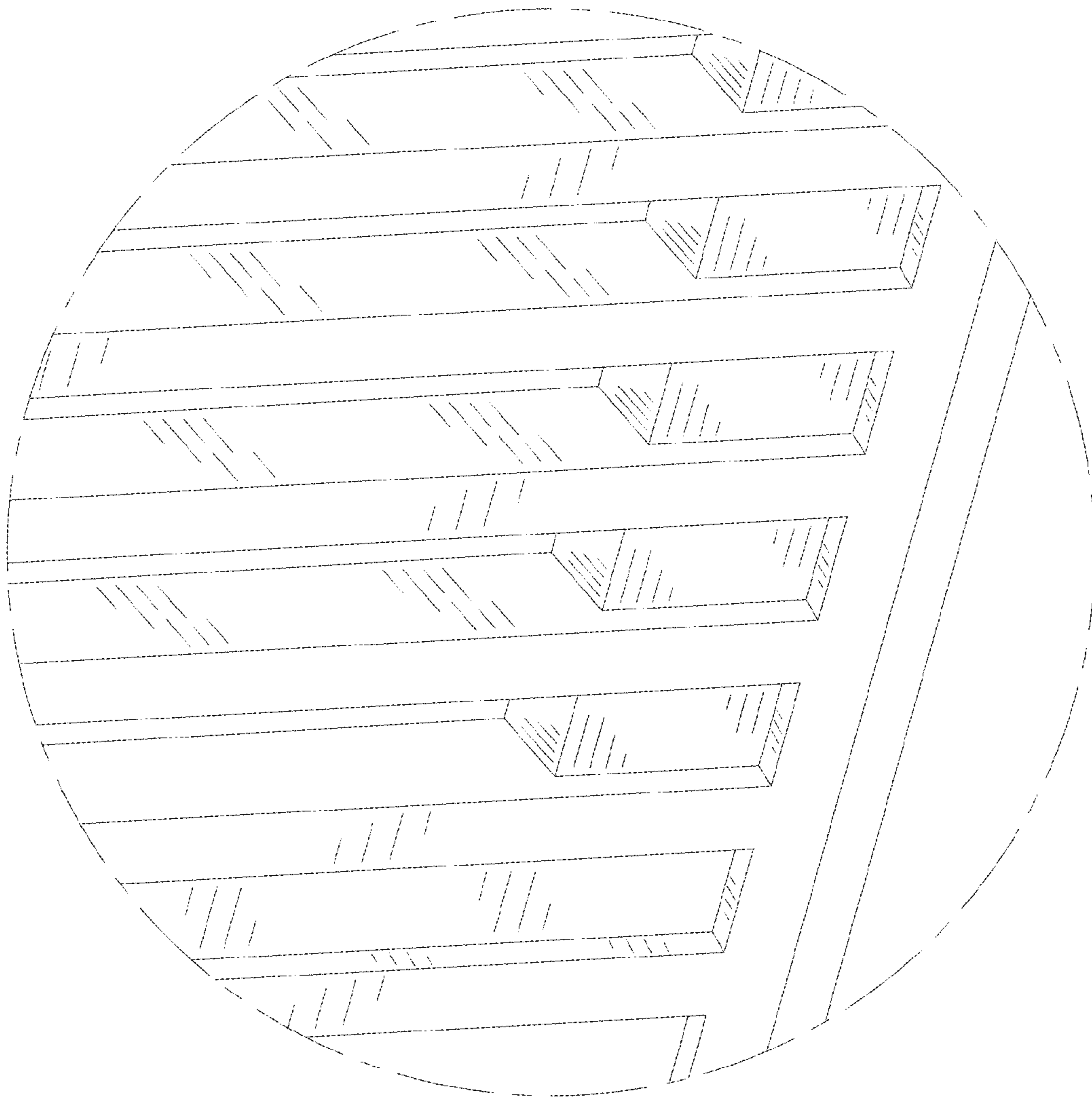


FIG. 9

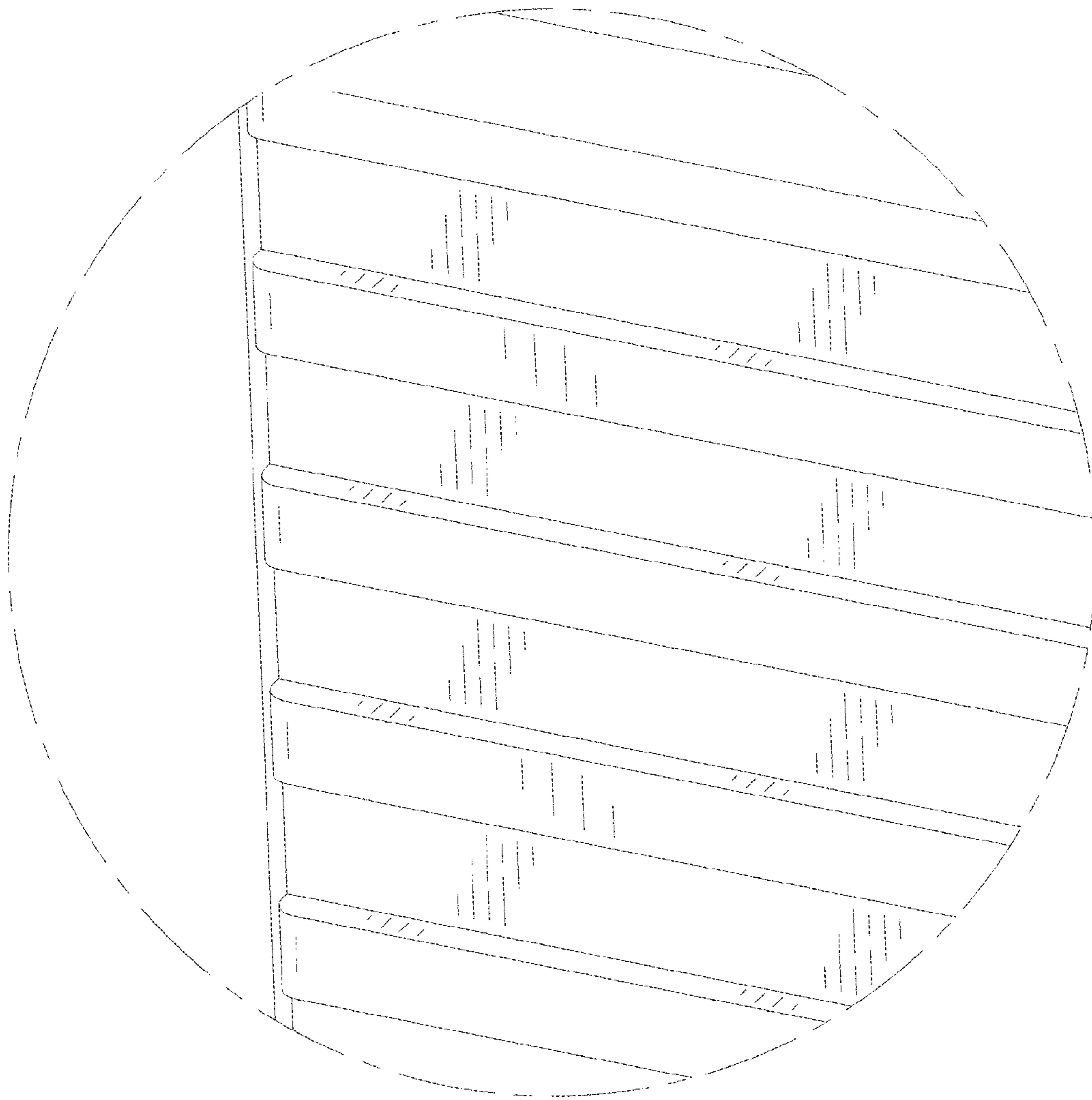


FIG. 10