



US00D971293S

(12) **United States Design Patent**
Luo

(10) **Patent No.:** **US D971,293 S**

(45) **Date of Patent:** **** Nov. 29, 2022**

(54) **RV SIDE CAMERA WITH MARKER LIGHT**

(71) Applicant: **Shenzhen Baoshijie Technology Co., Ltd.**, Shenzhen (CN)

(72) Inventor: **Mingcai Luo**, Shenzhen (CN)

(73) Assignee: **Shenzhen Baoshijie Technology Co., Ltd.**, Shenzhen (CN)

(**) Term: **15 Years**

(21) Appl. No.: **29/849,045**

(22) Filed: **Aug. 8, 2022**

(51) **LOC (13) Cl.** **16-01**

(52) **U.S. Cl.**
USPC **D16/208**; D16/218; D12/187

(58) **Field of Classification Search**
USPC D16/200–204, 208, 218, 219, 237, 242;
D12/187–189, 400
CPC G03B 15/03; G03B 17/02; G03B 17/04;
G03B 17/48; G03B 17/56; G03B 19/04;
G08G 1/0175; H04N 5/2251; H04N
5/2252; H04N 5/2253; H04N 5/2254
See application file for complete search history.

(56) **References Cited**

U.S. PATENT DOCUMENTS

D694,802 S	*	12/2013	Coyle	D16/237
D721,753 S	*	1/2015	Park	D16/202
D732,601 S	*	6/2015	Coyle	D16/237
D888,129 S		6/2020	Lee et al.		
D902,976 S	*	11/2020	Han	D16/202
D909,451 S	*	2/2021	Hamlin	D16/208
D914,791 S	*	3/2021	Sickler	D16/208
D918,990 S	*	5/2021	Liao	D16/242

D919,691 S	*	5/2021	Yang	D16/208
D921,736 S	*	6/2021	Yin	D16/208
D924,304 S	*	7/2021	Kapuria	D16/208
D948,593 S	*	4/2022	Luo	D16/208
D958,868 S	*	7/2022	Zhang	D16/204

* cited by examiner

Primary Examiner — Ramzi Almatrahi

(74) *Attorney, Agent, or Firm* — ScienBiziP, P.C.

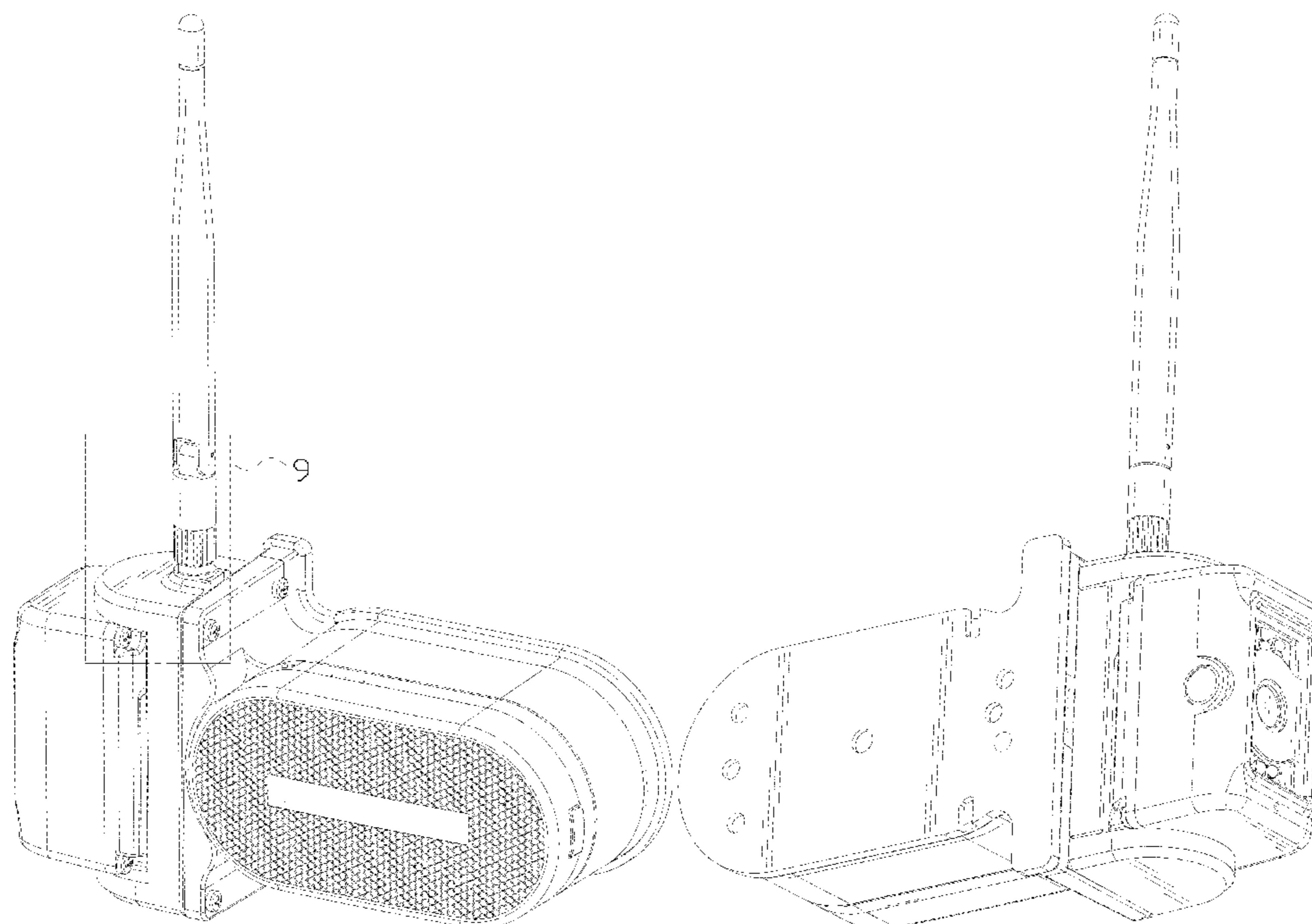
(57) **CLAIM**

The ornamental design for a RV side camera with marker light, as shown and described.

DESCRIPTION

FIG. 1 is a top, front and right side perspective view of a RV side camera with marker light showing my new design; FIG. 2 is a bottom, rear and left side perspective view thereof; FIG. 3 is a front elevation view thereof; FIG. 4 is a rear elevation view thereof; FIG. 5 is a left side elevation view thereof; FIG. 6 is a right side elevation view thereof; FIG. 7 is a top plan view thereof; FIG. 8 is a bottom plan view thereof; FIG. 9 is an enlarged view of portion 9 shown in FIG. 1; FIG. 10 is an enlarged view of portion 10 shown in FIG. 3; FIG. 11 is an enlarged view of portion 11 shown in FIG. 3; and, FIG. 12 is an enlarged view of portion 12 shown in FIG. 5. The broken lines shown in the drawings are included for the purpose of illustrating portions of the RV side camera with marker light that form no part of the claimed design. In addition, the dot-dash broken lines in FIGS. 1, 3, 5, and 9-12 depict the boundaries of the enlargements that form no part of the claimed design.

1 Claim, 12 Drawing Sheets



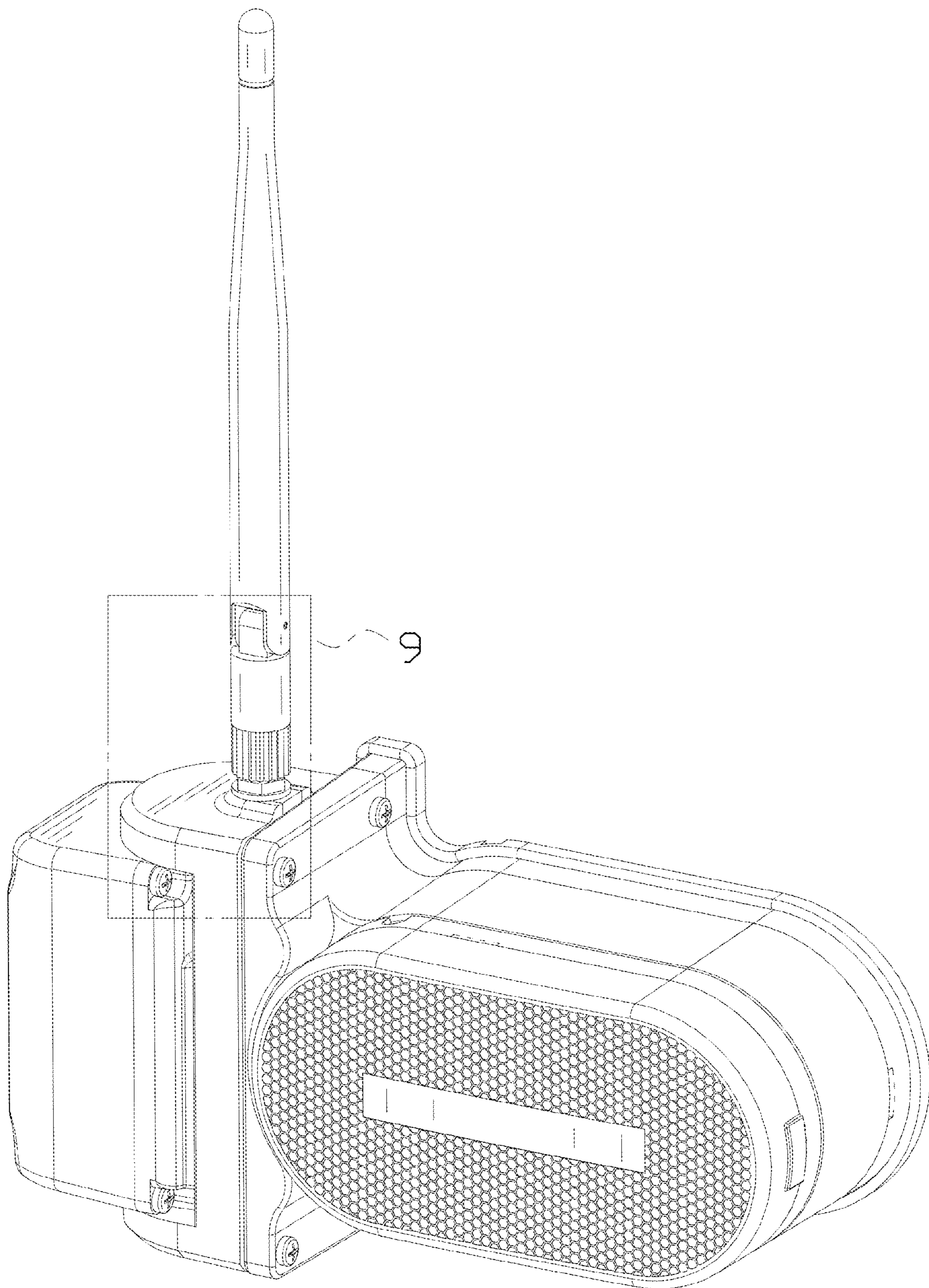


FIG. 1

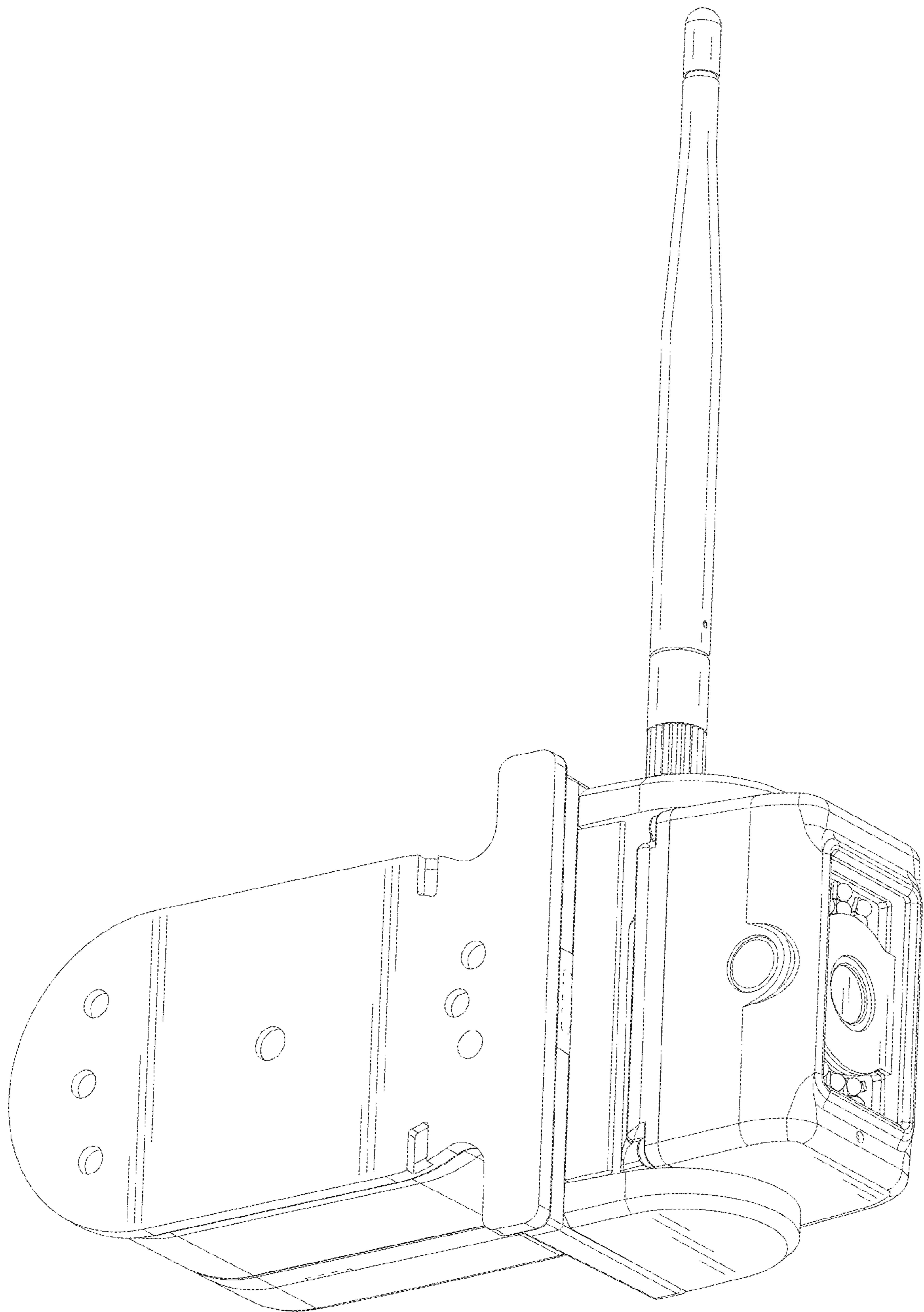


FIG. 2

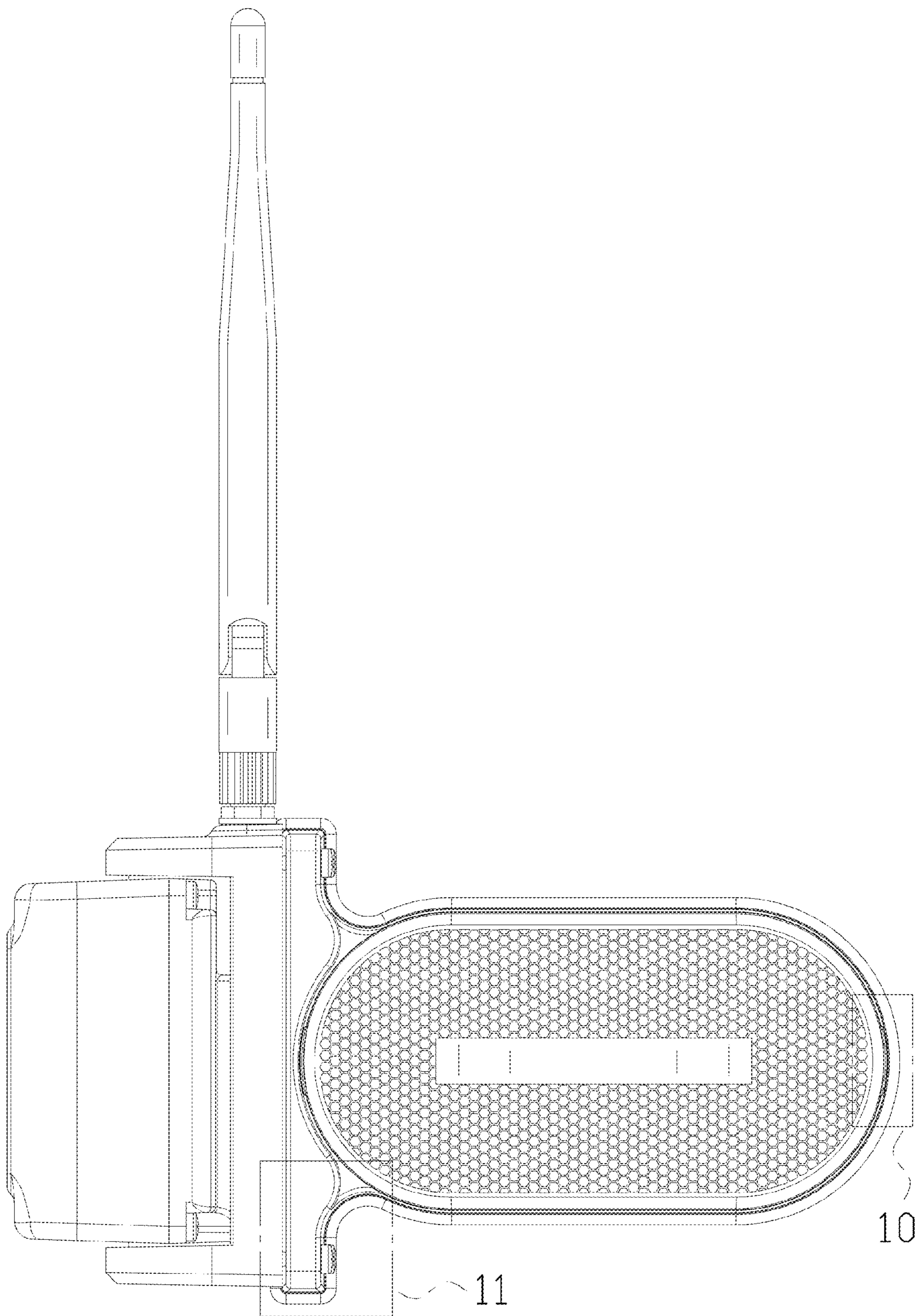


FIG. 3

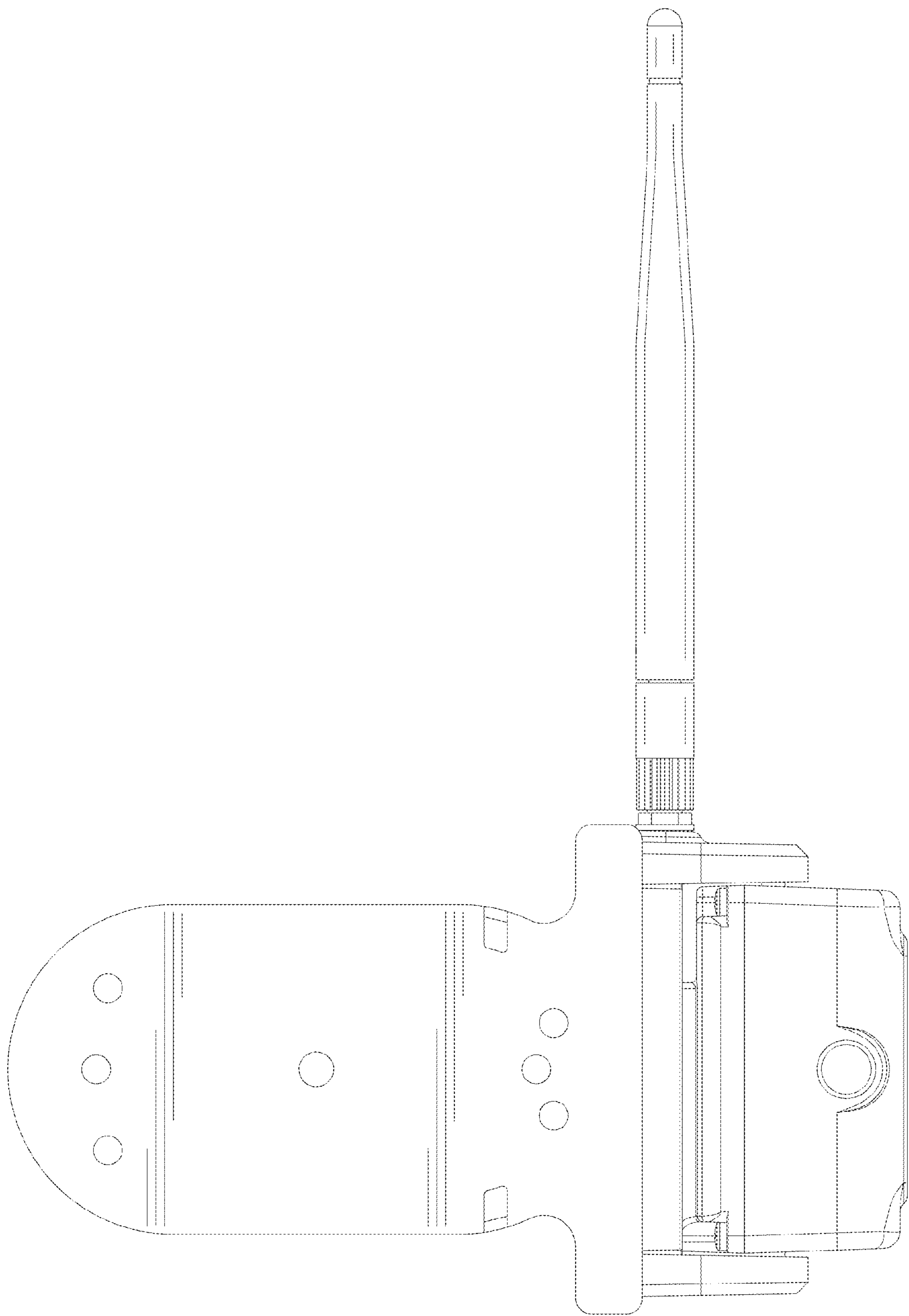


FIG. 4

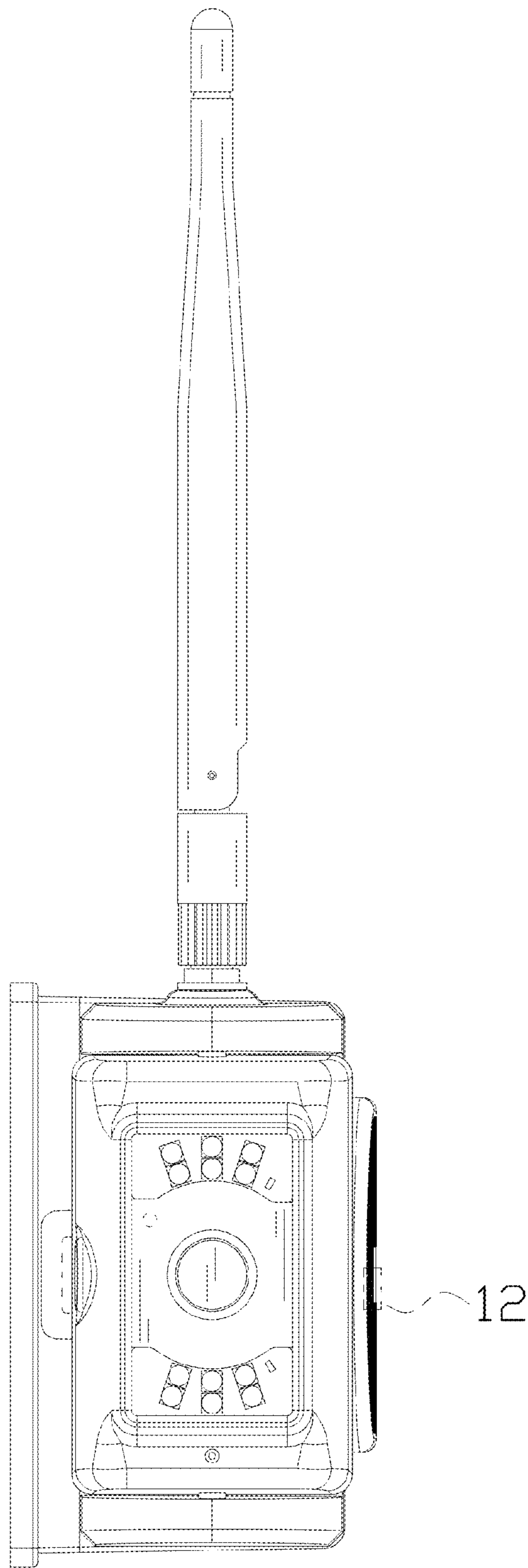


FIG. 5

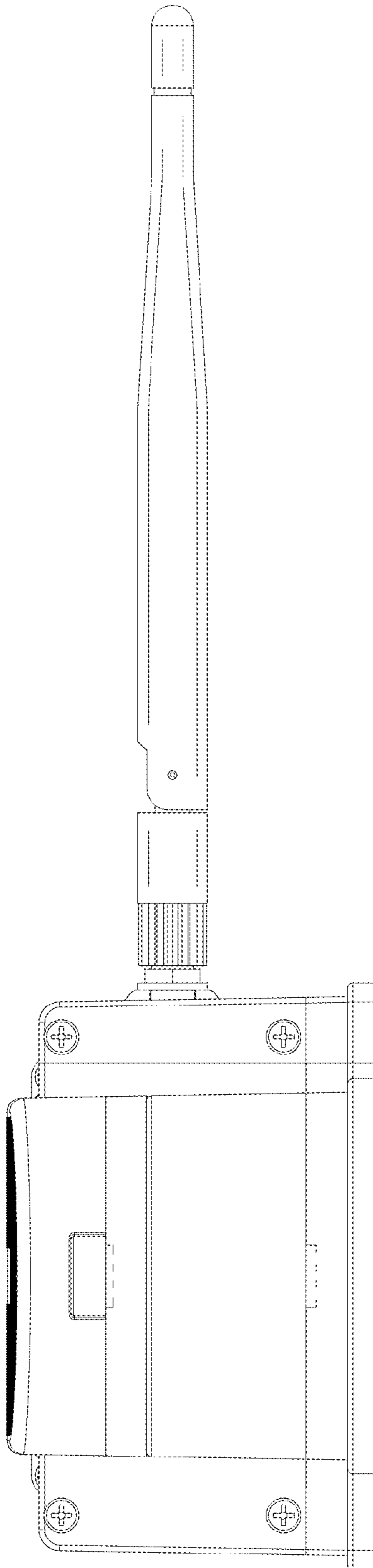


FIG. 6

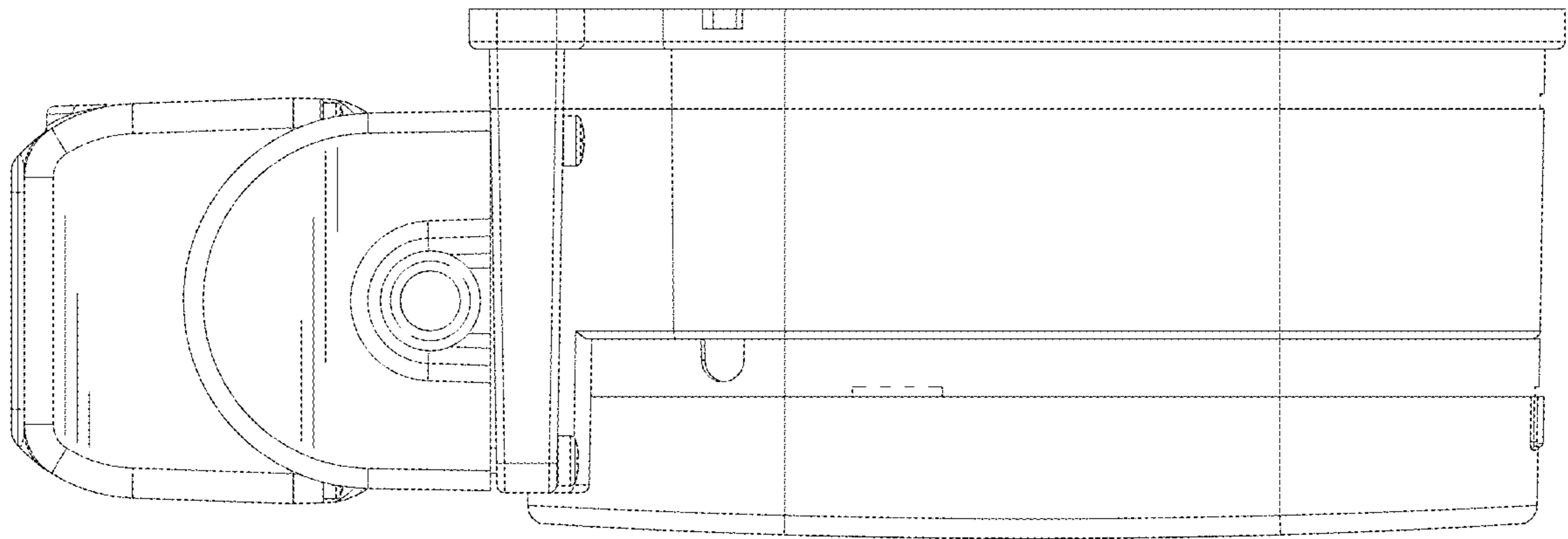


FIG. 7

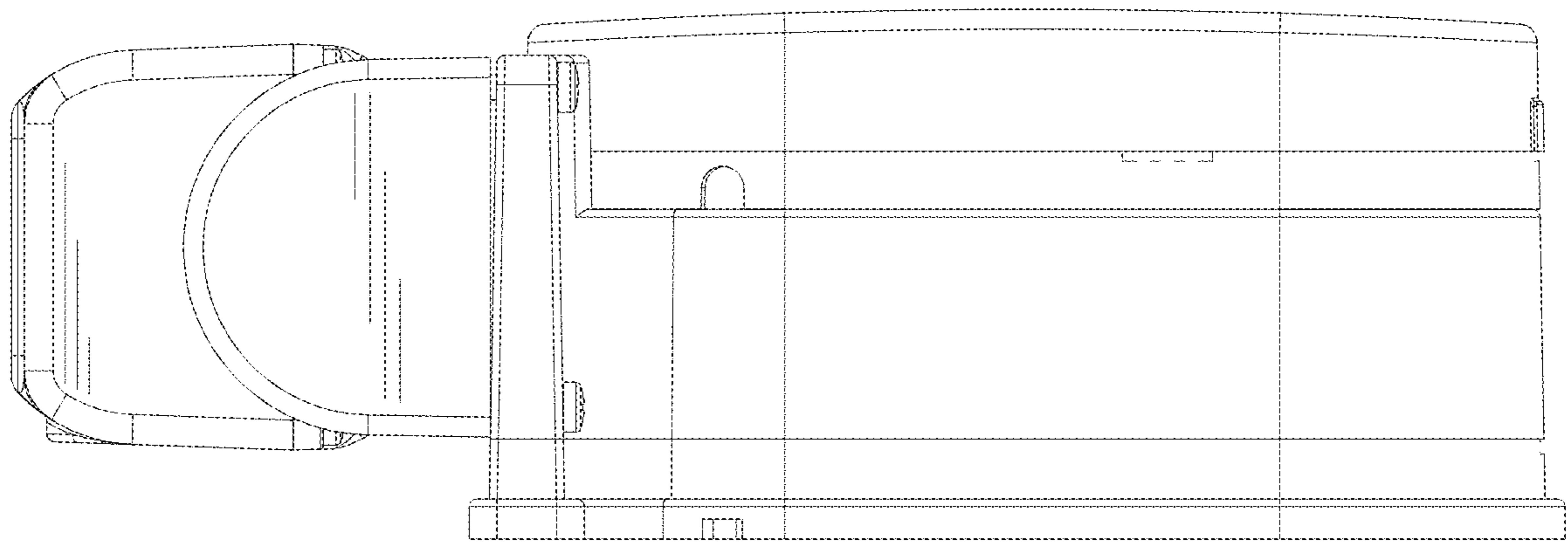


FIG. 8

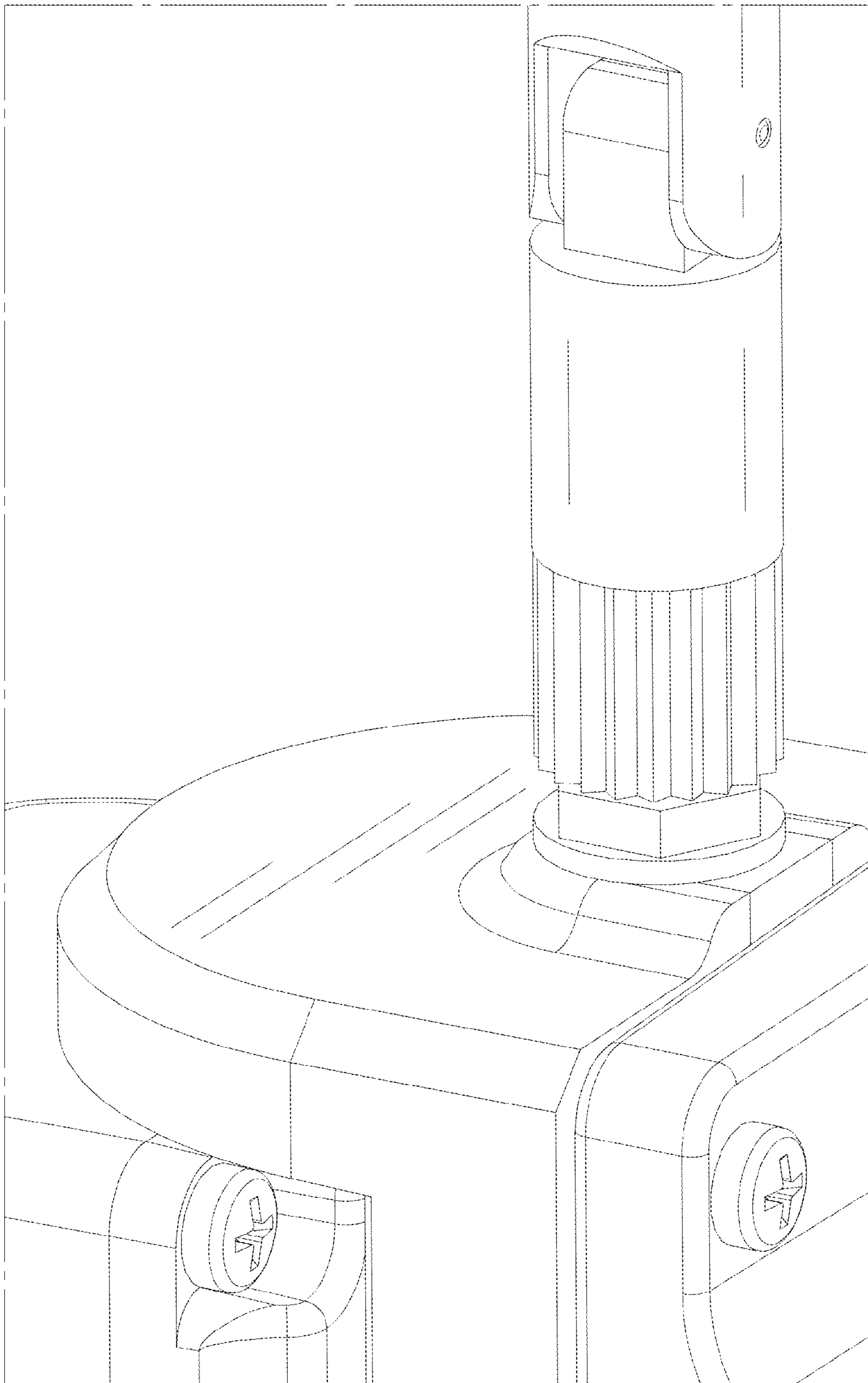


FIG. 9

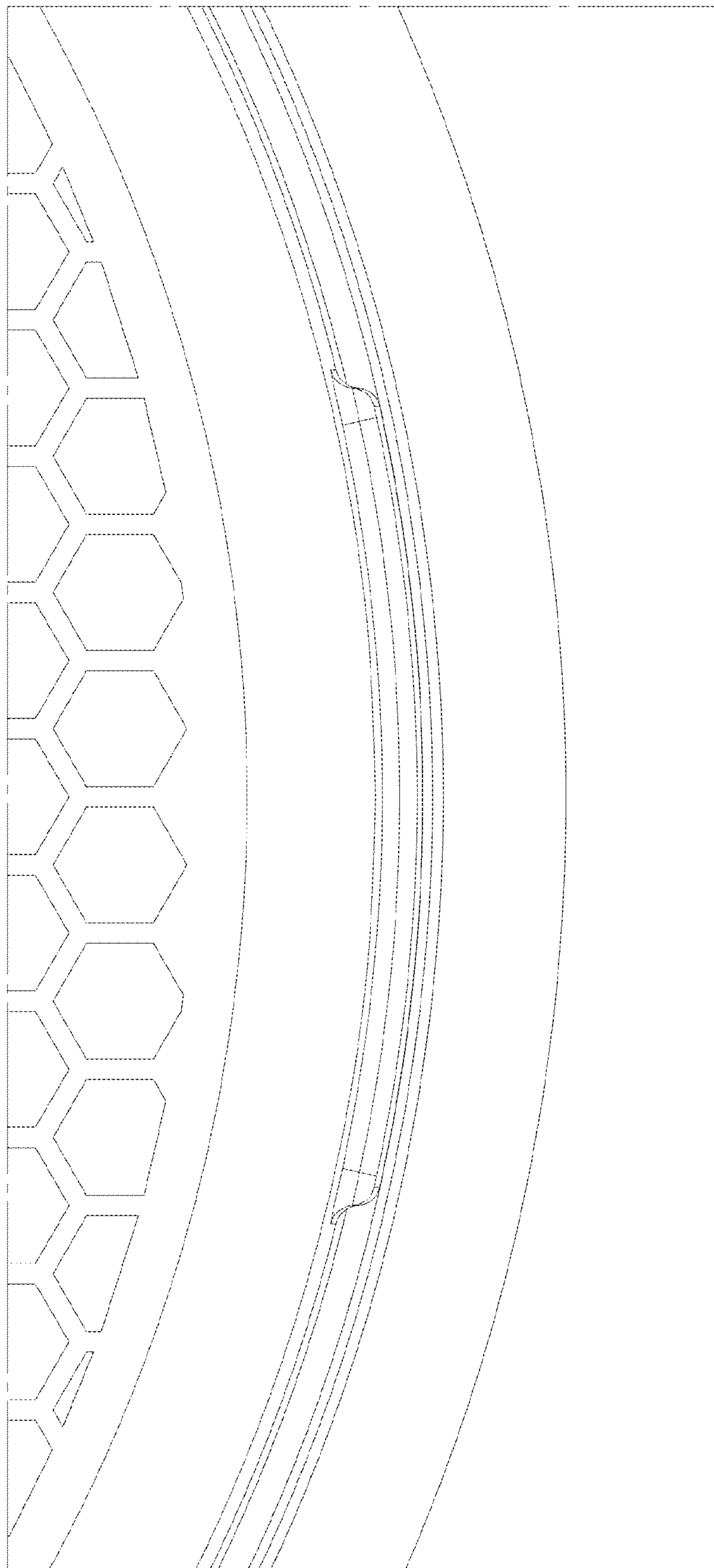


FIG. 10

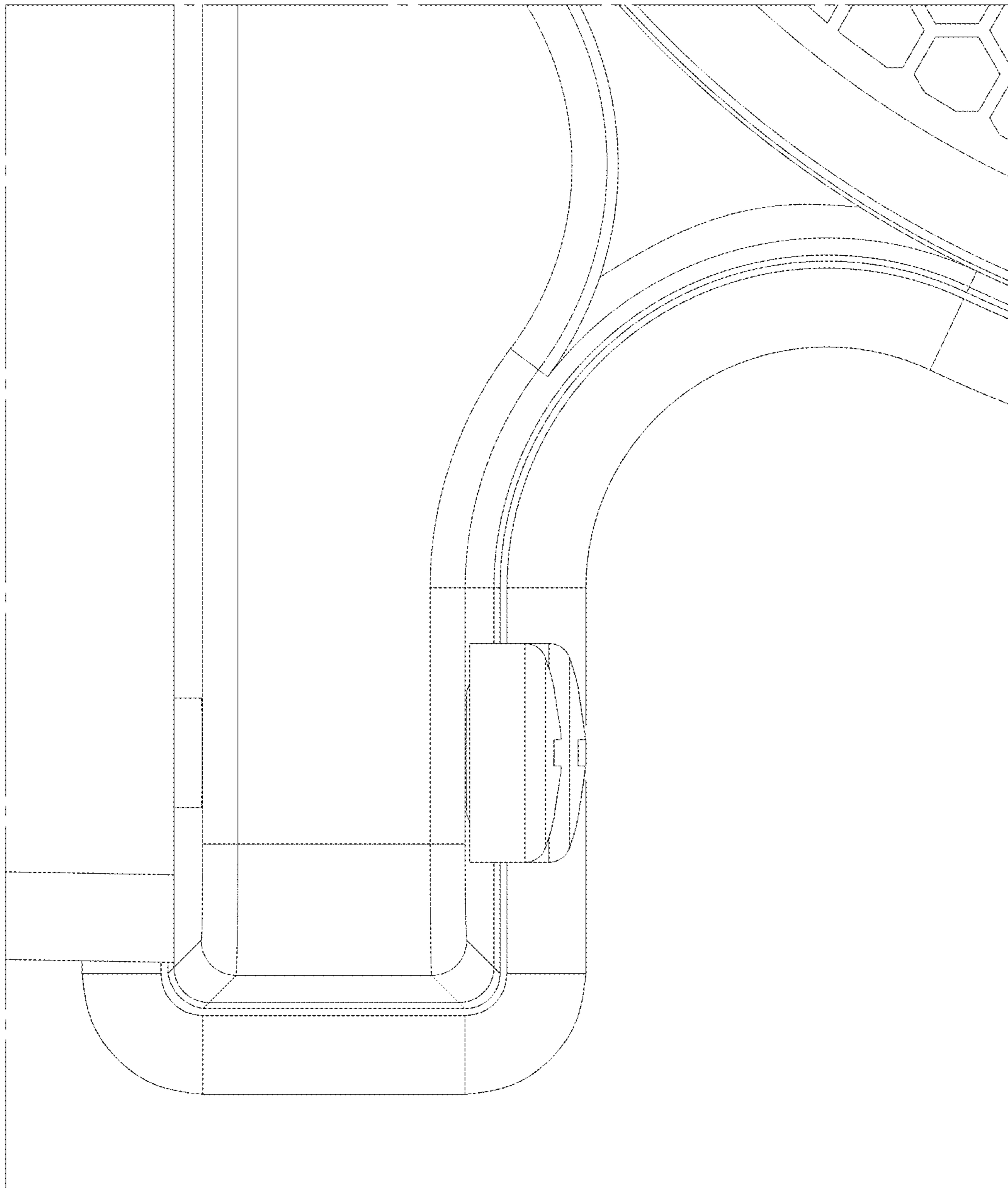


FIG. 11

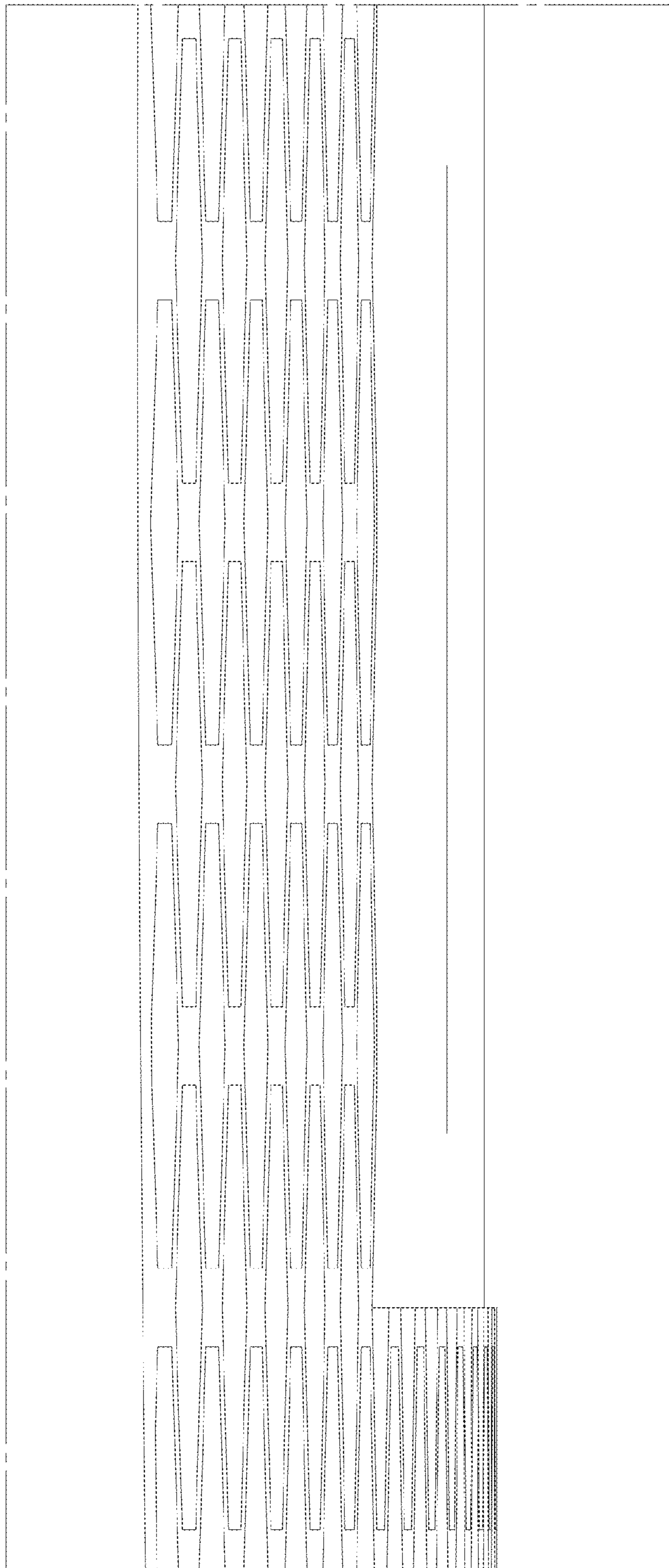


FIG. 12