



US00D971292S

(12) **United States Design Patent**
Liang

(10) **Patent No.:** **US D971,292 S**

(45) **Date of Patent:** **** Nov. 29, 2022**

(54) **BABY CAMERA**

(71) Applicant: **Shenzhen Lute Jiacheng Supply Chain Management Co., Ltd.,**
Guangdong (CN)

(72) Inventor: **Xuwei Liang,** Guangdong (CN)

(73) Assignee: **Shenzhen Lute Jiacheng Supply Chain Management Co., Ltd.,**
Shenzhen (CN)

(**) Term: **15 Years**

(21) Appl. No.: **29/848,610**

(22) Filed: **Aug. 3, 2022**

(51) **LOC (13) Cl.** **16-01**

(52) **U.S. Cl.**
USPC **D16/203**

(58) **Field of Classification Search**
USPC D16/200, 202–206, 208, 211, 214, 218,
D16/219, 237, 242, 244; D14/130, 132,
D14/144, 159
CPC G03B 15/00; G03B 15/03; G03B 17/02;
G03B 17/04; G03B 17/56; G03B 19/04;
H04N 5/2251; H04N 5/2252; H04N
5/2253; H04N 5/2254; H04N 2101/00;
F16M 11/04; F16M 13/00
See application file for complete search history.

(56) **References Cited**

U.S. PATENT DOCUMENTS

D552,650 S * 10/2007 Yamakawa D16/203
D723,395 S * 3/2015 Dispenza D10/53

D751,619 S *	3/2016	Jeong	D16/203
D753,204 S *	4/2016	Luo	D16/202
D813,926 S *	3/2018	Shin	D16/203
D842,916 S	3/2019	Hathway	
D849,094 S *	5/2019	Gan	D16/203
D867,425 S	11/2019	Shuai	
D883,357 S *	5/2020	Moon	D16/203
D884,768 S *	5/2020	Liu	D16/203
D898,097 S *	10/2020	Ravat	D16/203
D901,572 S *	11/2020	Wang	D16/203
D911,413 S *	2/2021	Yamazaki	D16/202
D921,085 S *	6/2021	Li	D16/203
D936,722 S *	11/2021	Yu	D16/202

* cited by examiner

Primary Examiner — Ramzi Almatrahi

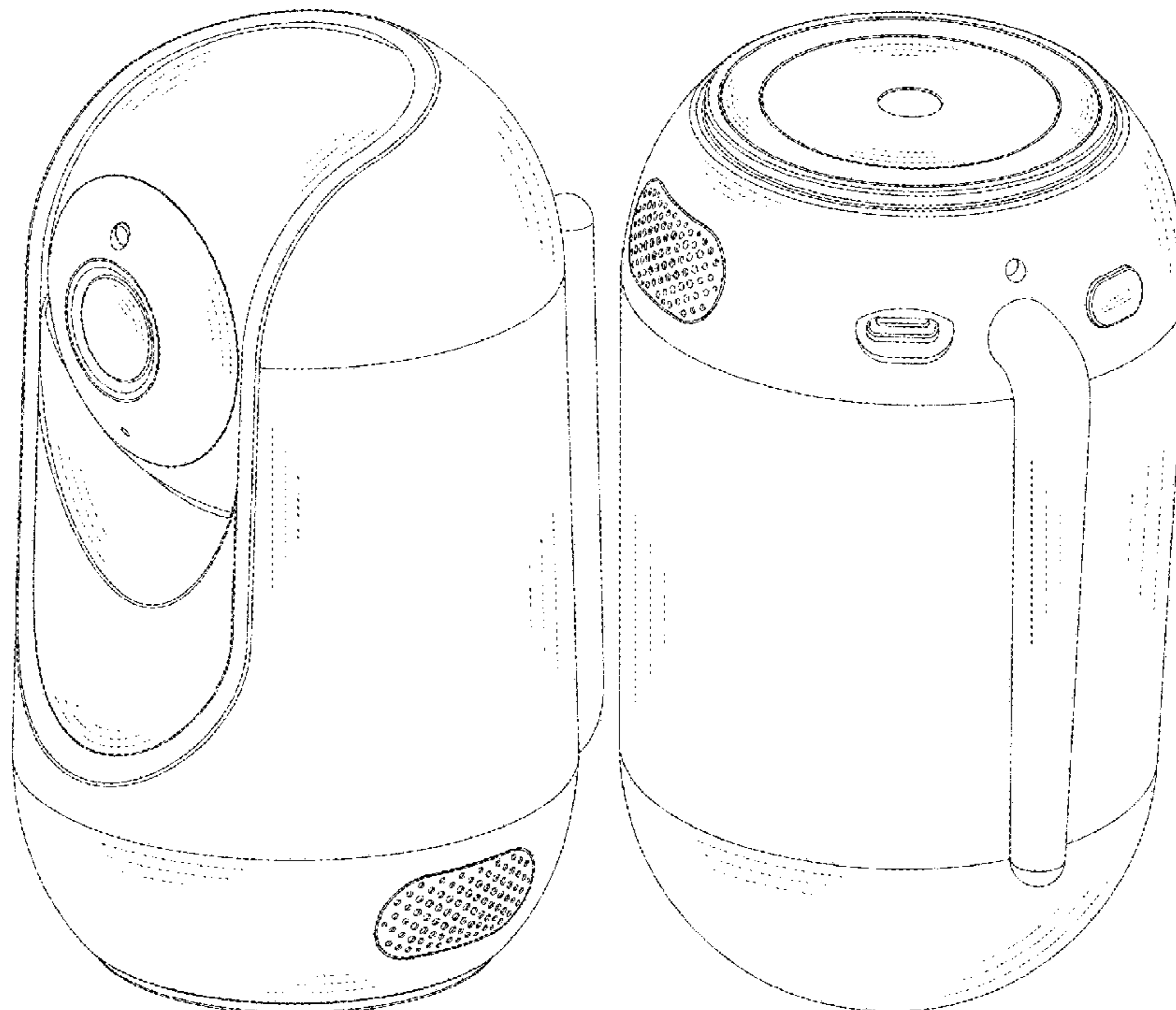
(57) **CLAIM**

The ornamental design for a baby camera, substantially as shown and described.

DESCRIPTION

FIG. 1 is a top, front and right side perspective view of a baby camera showing my new design;
FIG. 2 is a bottom, back and left side perspective view thereof;
FIG. 3 is a front view thereof;
FIG. 4 is a back view thereof;
FIG. 5 is a left view thereof;
FIG. 6 is a right view thereof;
FIG. 7 is a top view thereof; and,
FIG. 8 is a bottom view thereof.
The broken lines shown in the drawings are included for the purpose of illustrating portions of the baby camera, and form no part of the claim design.

1 Claim, 8 Drawing Sheets



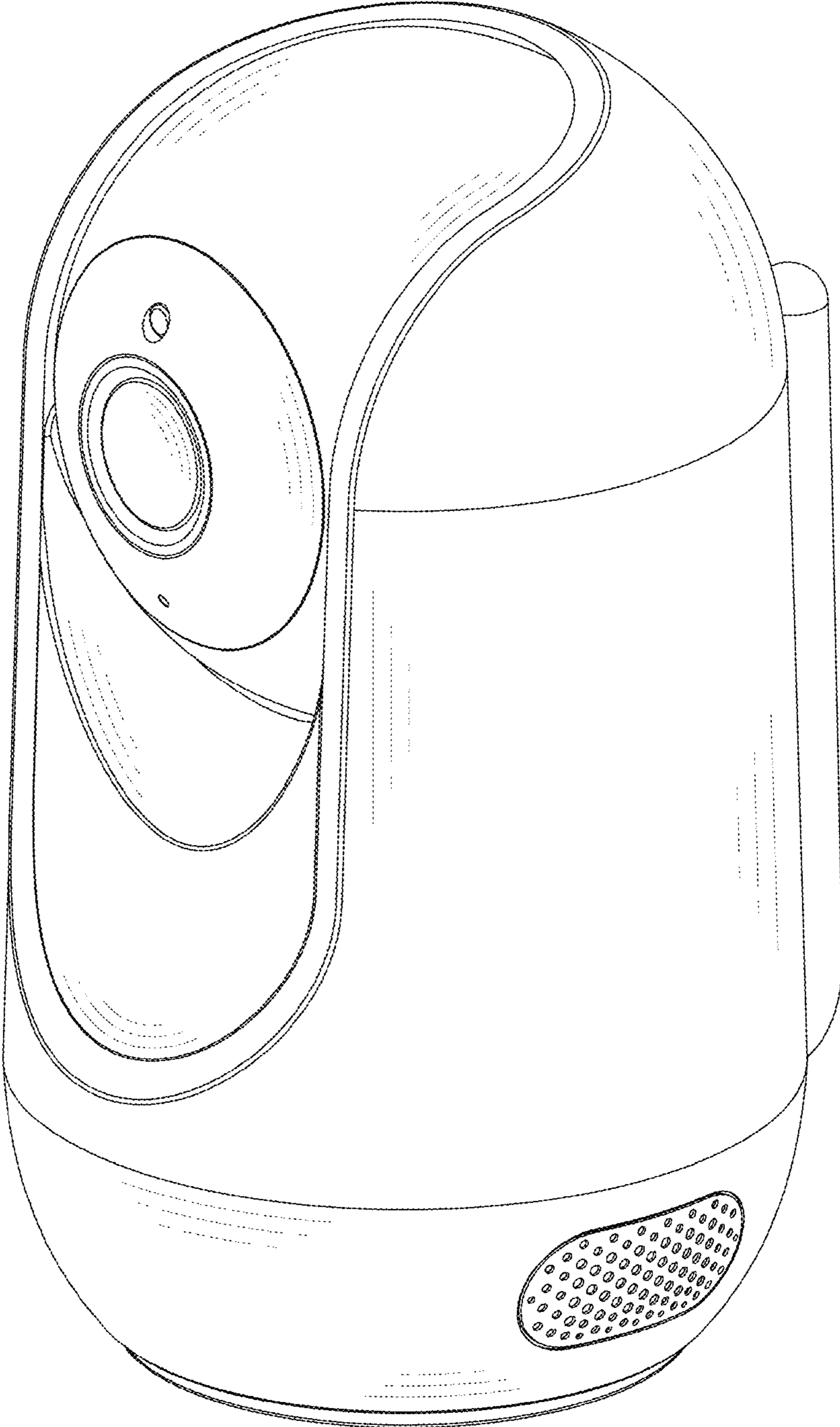


FIG. 1

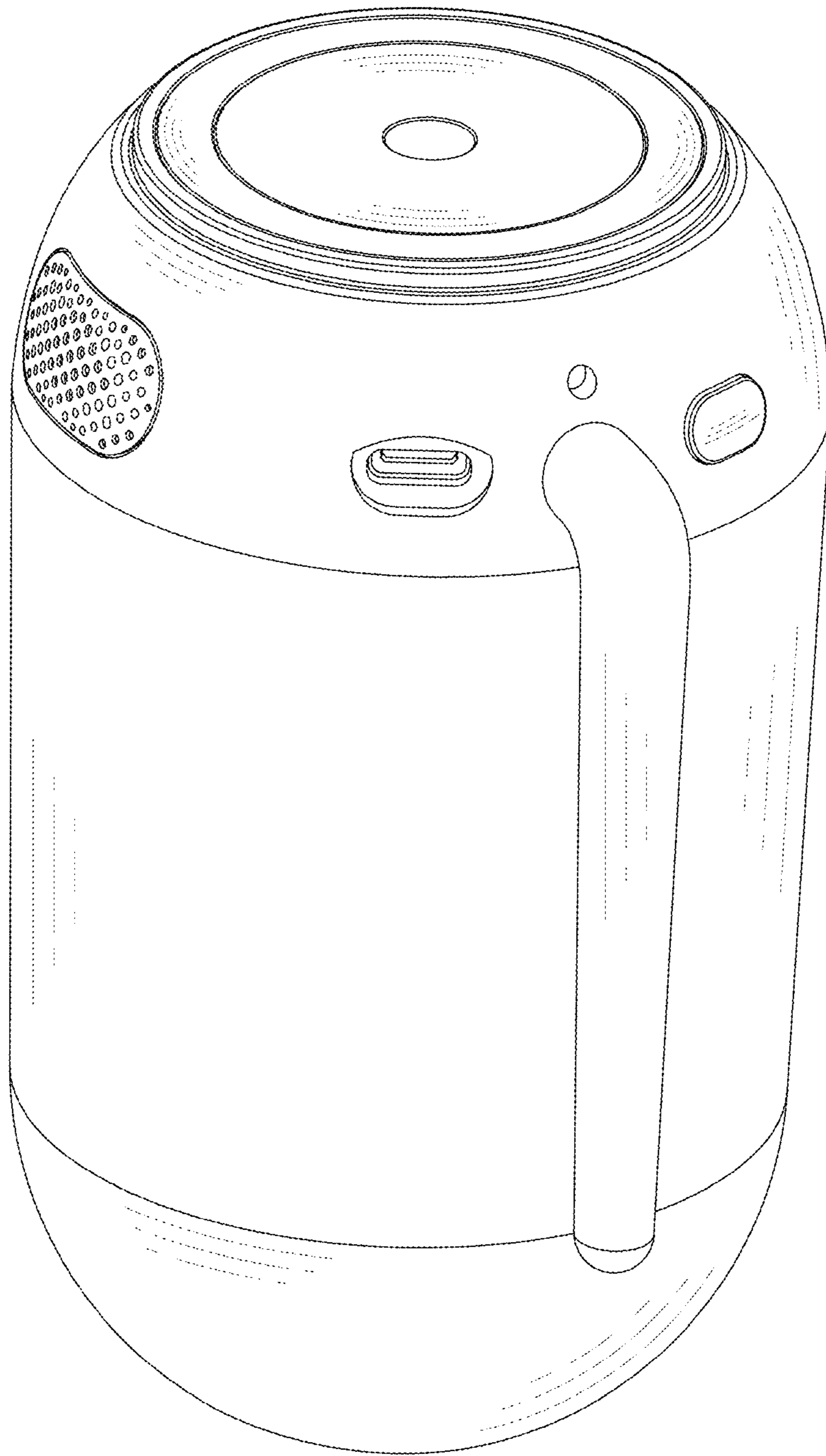


FIG. 2

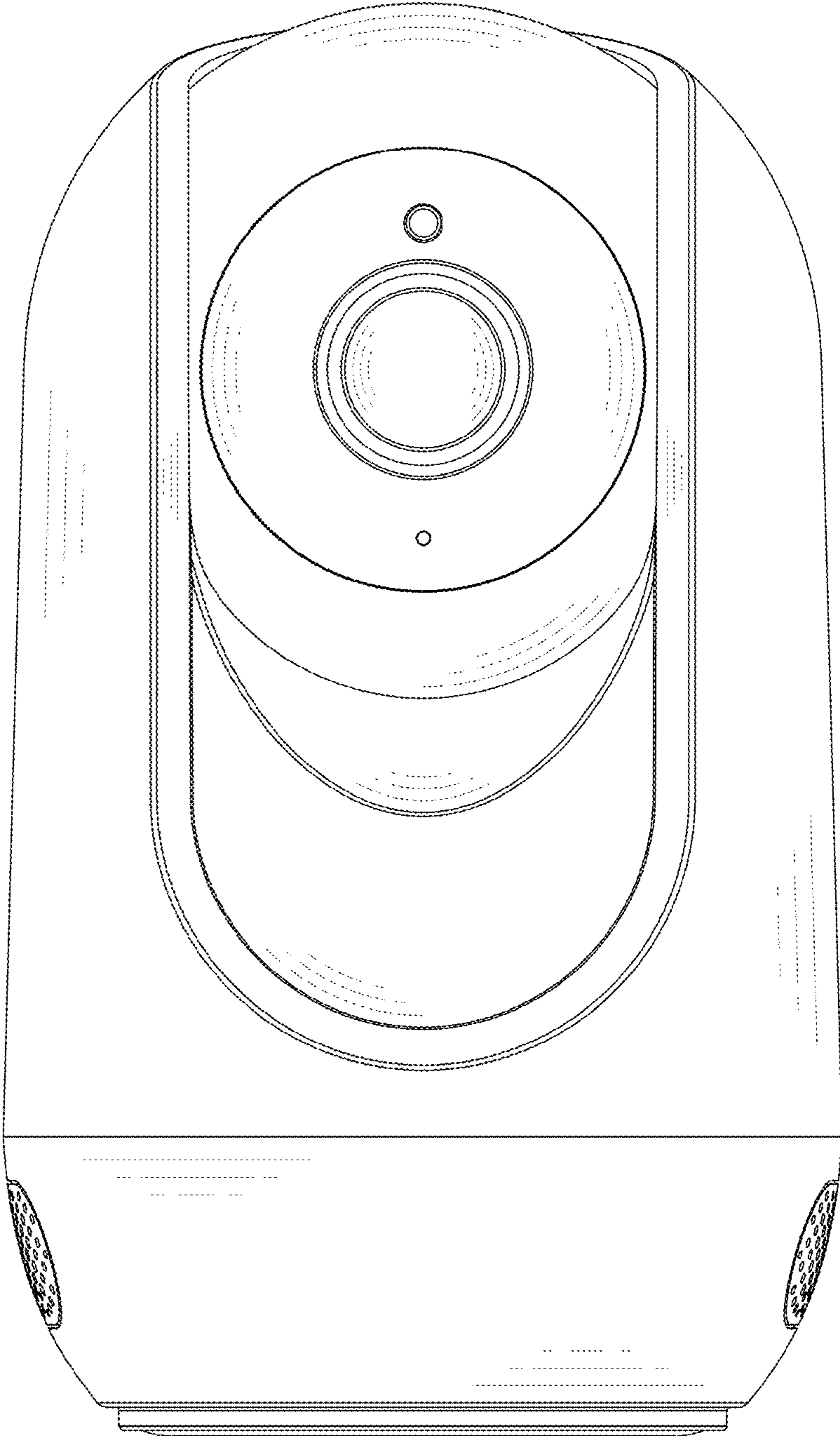


FIG. 3

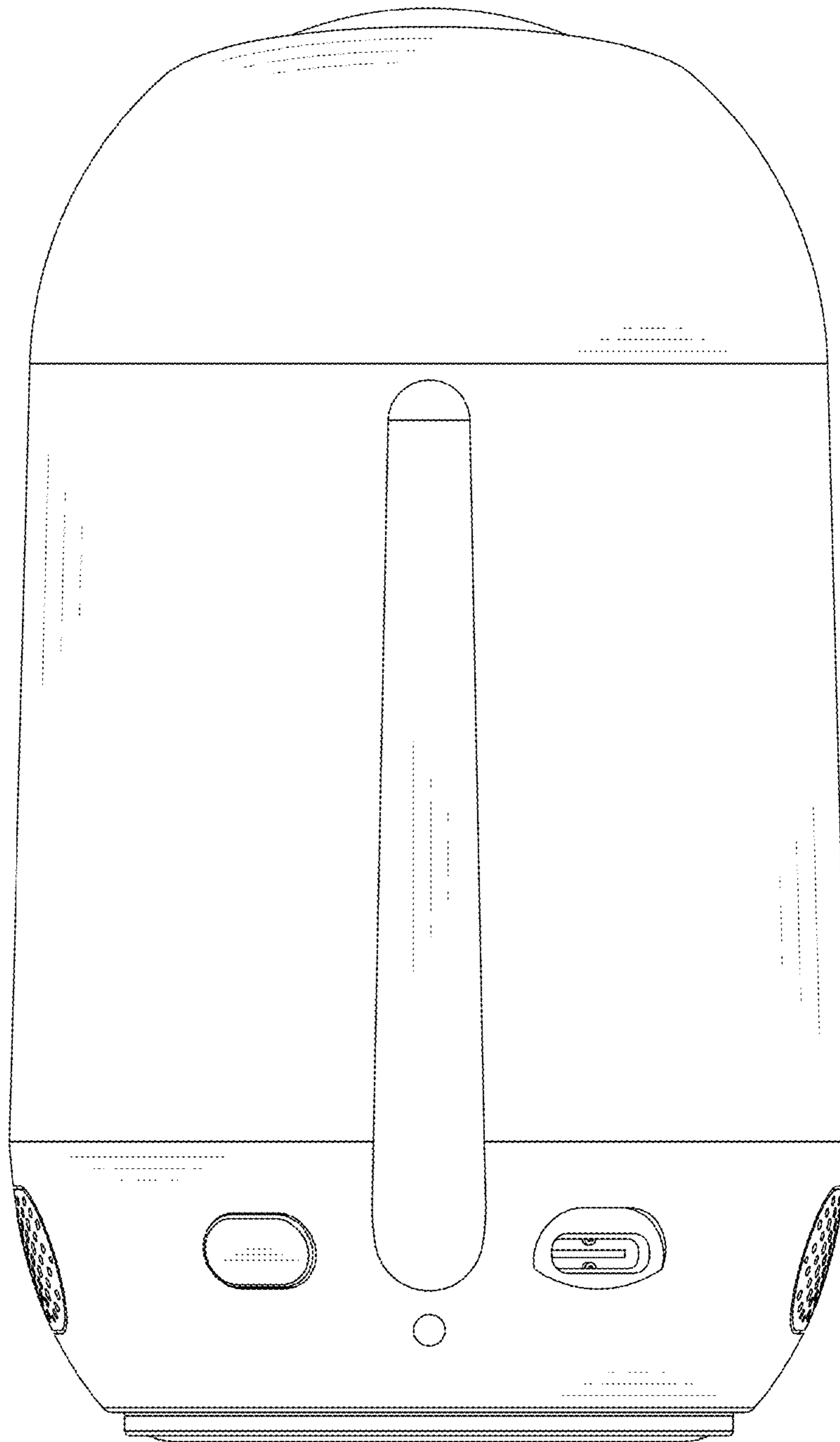


FIG. 4

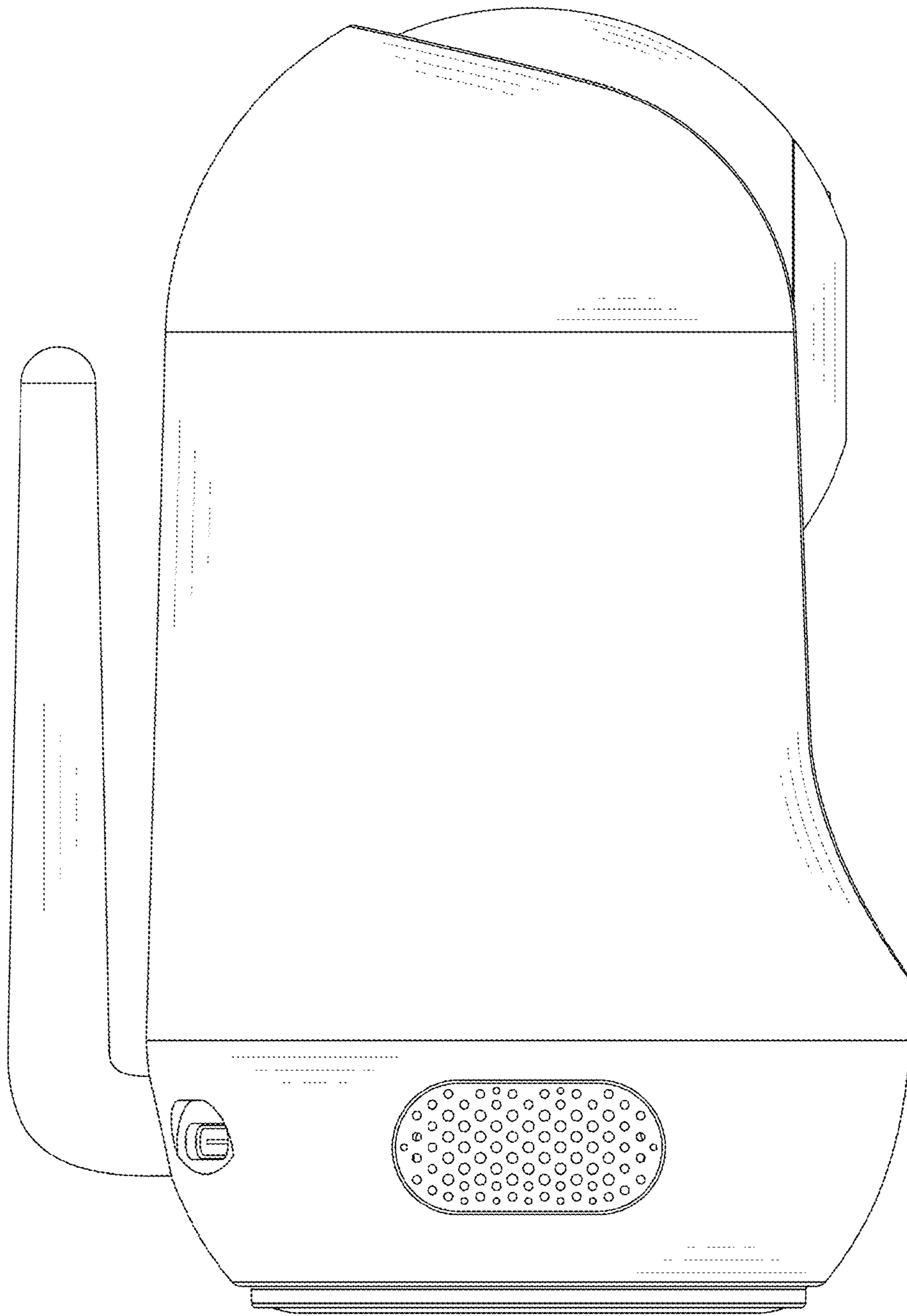


FIG. 5

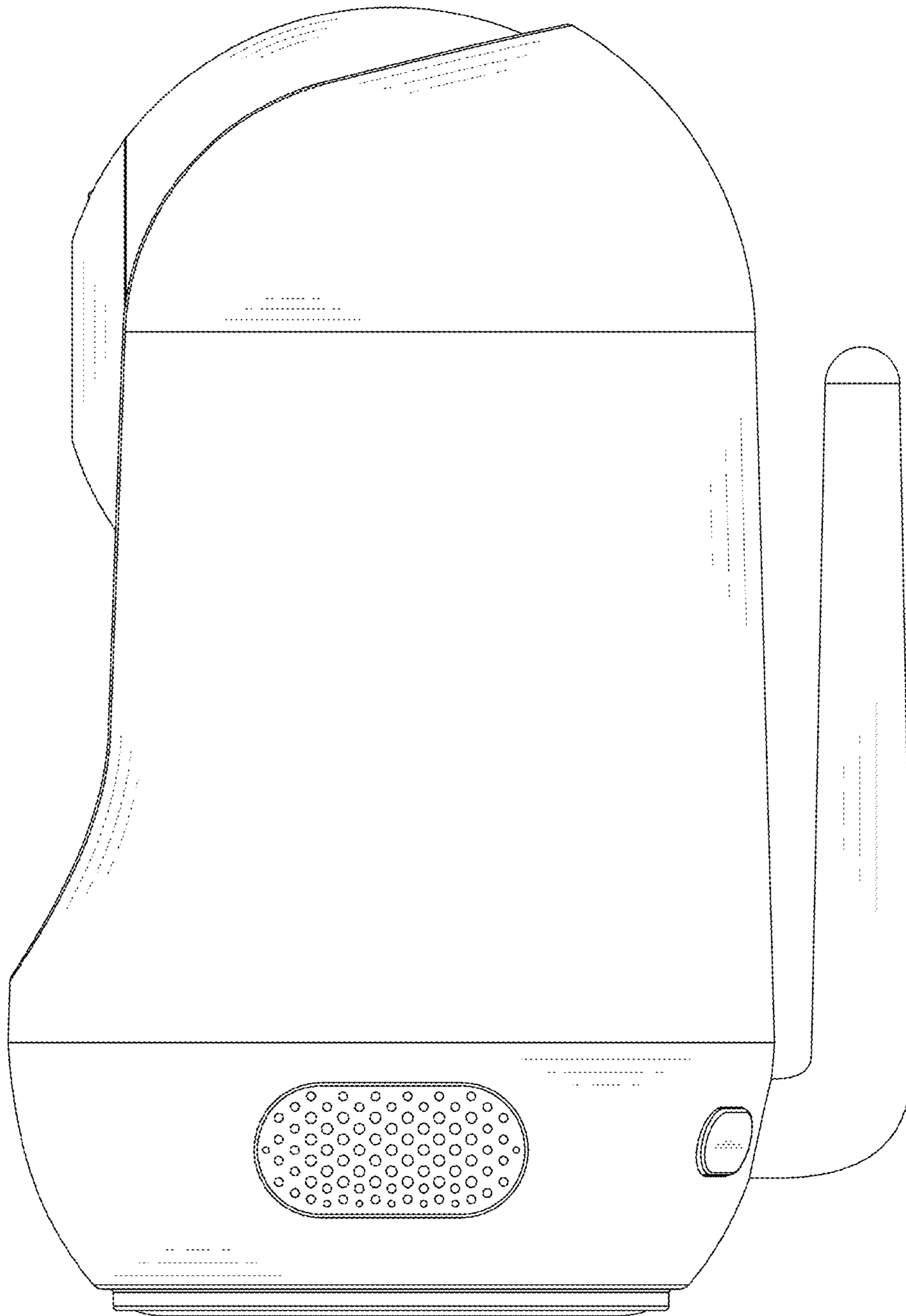


FIG. 6

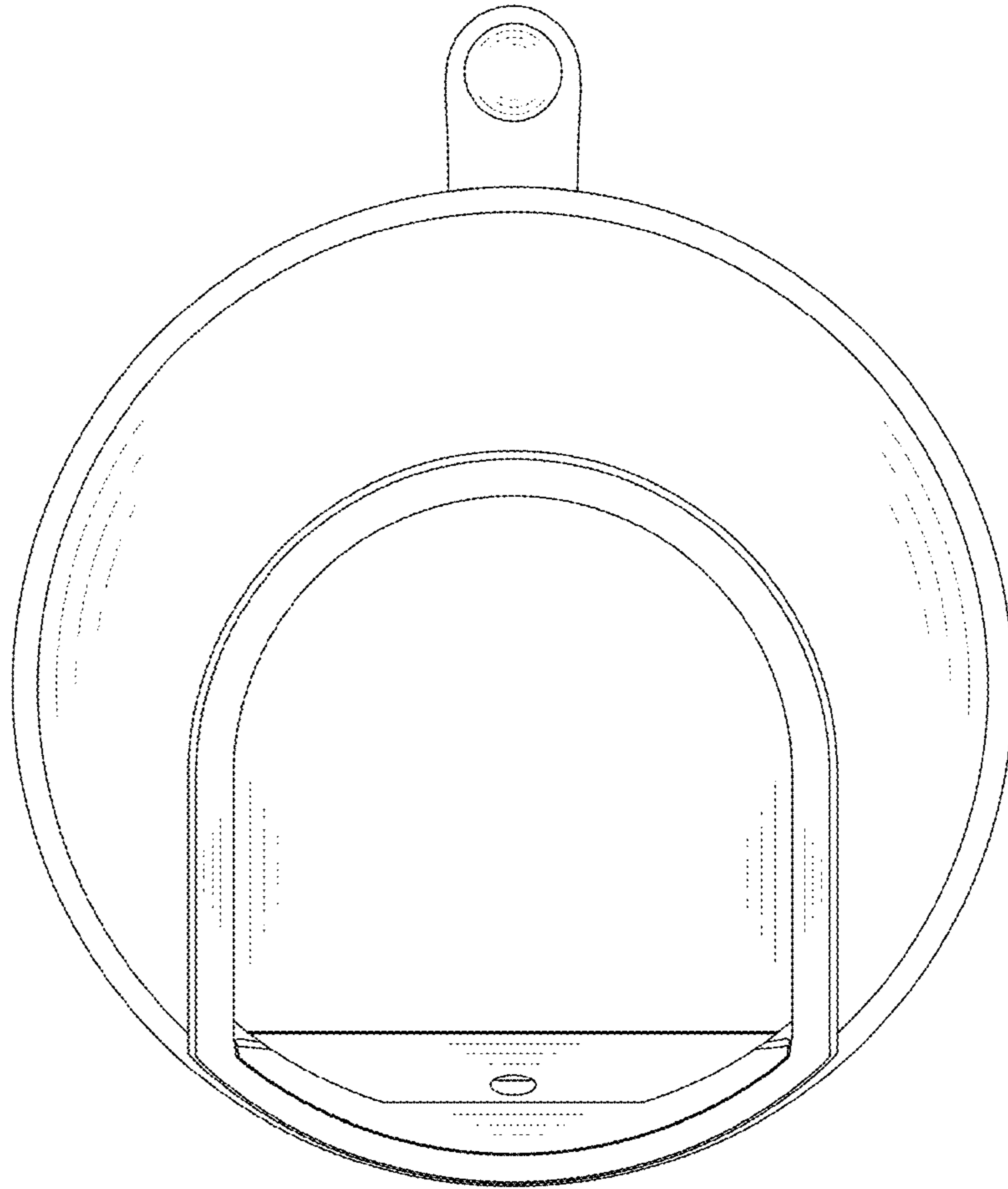


FIG. 7

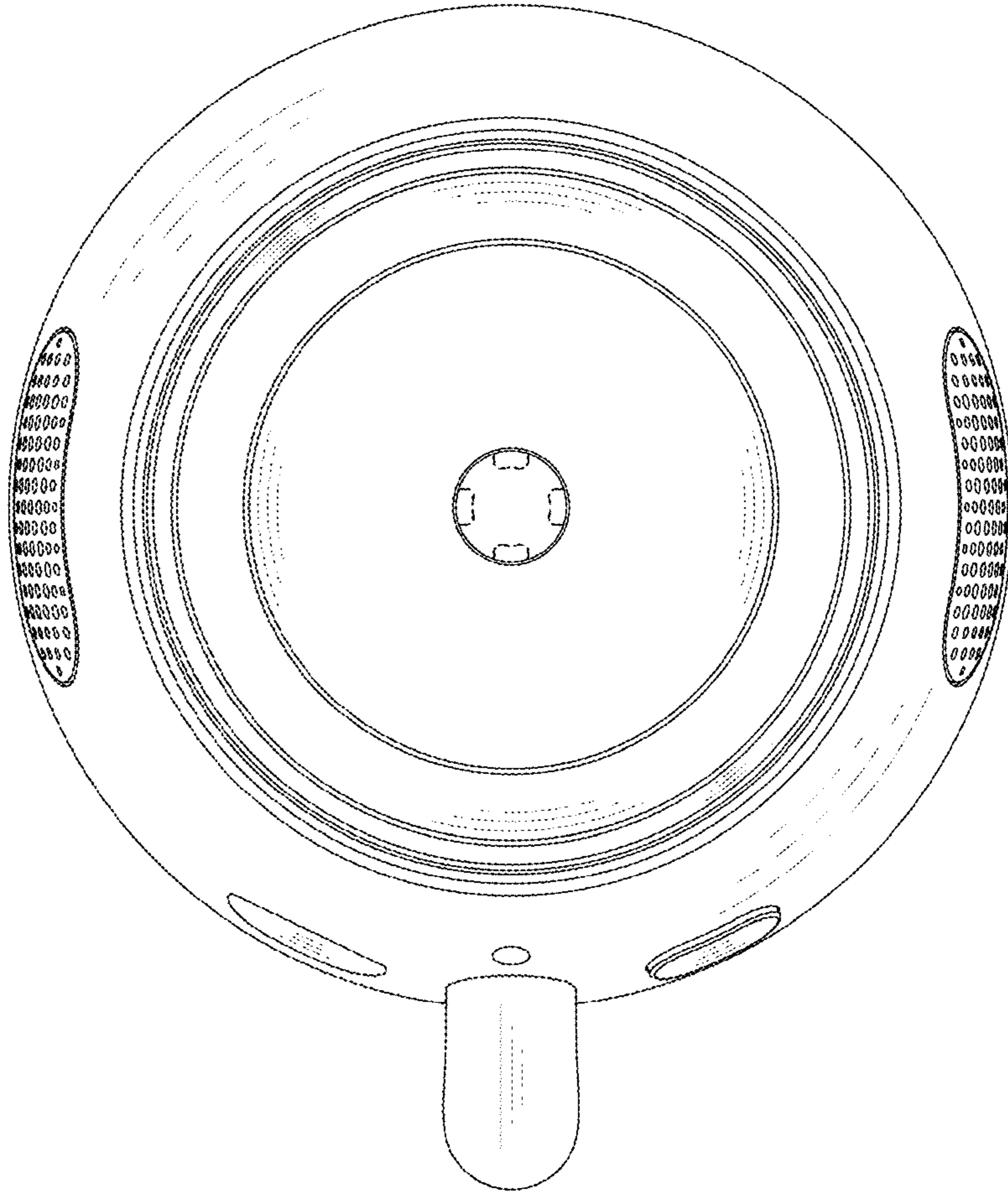


FIG. 8