



US00D971291S

(12) **United States Design Patent**  
**Chen**

(10) **Patent No.:** **US D971,291 S**

(45) **Date of Patent:** **\*\* Nov. 29, 2022**

(54) **CAMERA**

(71) Applicant: **Sheng Chen**, Ningbo (CN)

(72) Inventor: **Sheng Chen**, Ningbo (CN)

(\*\*) Term: **15 Years**

(21) Appl. No.: **29/847,512**

(22) Filed: **Jul. 26, 2022**

(51) **LOC (13) Cl.** ..... **16-01**

(52) **U.S. Cl.**  
USPC ..... **D16/203**

(58) **Field of Classification Search**  
USPC ..... D16/200, 202–206, 218, 219, 242  
CPC ..... G03B 17/02; G03B 19/04; G03B 17/56;  
G03B 17/04; G03B 15/03; H04N 5/2251;  
H04N 5/2252; H04N 5/2253; H04N  
5/2254; F16M 11/04  
See application file for complete search history.

(56) **References Cited**

**U.S. PATENT DOCUMENTS**

D828,427 S	*	9/2018	Wu	.....	D16/203
D888,125 S	*	6/2020	Wang	.....	D16/203
D897,407 S		9/2020	Ive et al.		
D918,986 S	*	5/2021	Yu	.....	D16/218
D920,416 S	*	5/2021	Jiang	.....	D16/203
D928,215 S	*	8/2021	Jiang	.....	D16/203
D928,216 S	*	8/2021	Jiang	.....	D16/203

D928,217 S	*	8/2021	Jiang	.....	D16/203
D932,535 S	*	10/2021	Yu	.....	D16/203
D945,512 S	*	3/2022	Yu	.....	D16/203
D949,945 S		4/2022	Crutchley et al.		
D956,849 S	*	7/2022	Yu	.....	D16/203
D957,502 S	*	7/2022	Jiang	.....	D16/203
D958,867 S	*	7/2022	Jiang	.....	D16/203
D960,952 S	*	8/2022	Chen	.....	D16/203

\* cited by examiner

*Primary Examiner* — Ramzi Almatrahi

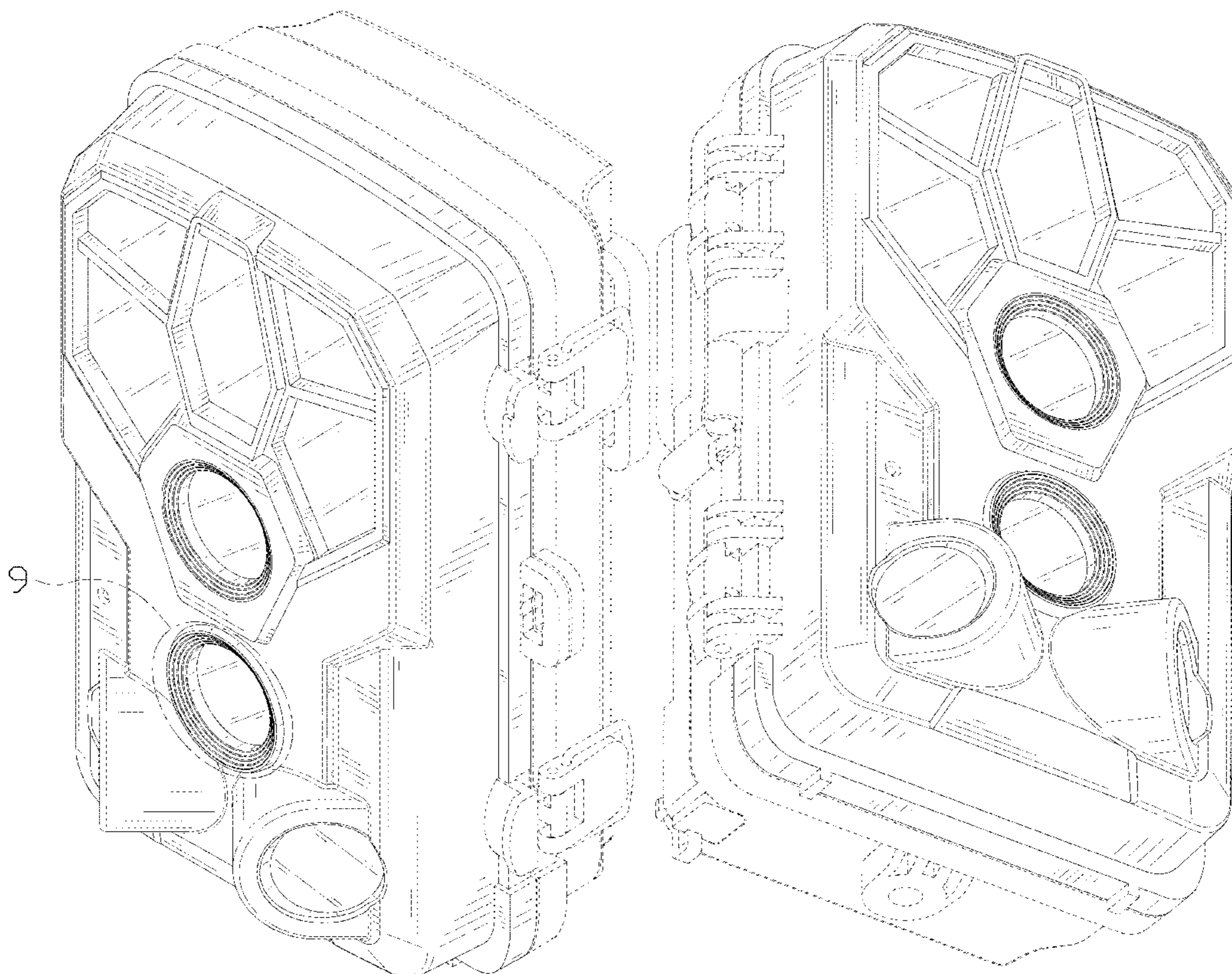
(57) **CLAIM**

The ornamental design for a camera, as shown and described.

**DESCRIPTION**

FIG. 1 is a top, front and right side perspective view of a camera showing my new design;  
FIG. 2 is a bottom, front and left side perspective view thereof;  
FIG. 3 is a front elevational view thereof;  
FIG. 4 is a rear elevational view thereof;  
FIG. 5 is a left side elevational view thereof;  
FIG. 6 is a right side elevational view thereof;  
FIG. 7 is a top plan view thereof;  
FIG. 8 is a bottom plan view thereof; and,  
FIG. 9 is an enlarged view of portion 9 shown in FIG. 1.  
The dash-dash broken lines in the drawings depict portions of the camera that form no part of the claimed design. The dot-dash broken lines represent the boundary of the enlarged portion and form no part of the claimed design.

**1 Claim, 9 Drawing Sheets**



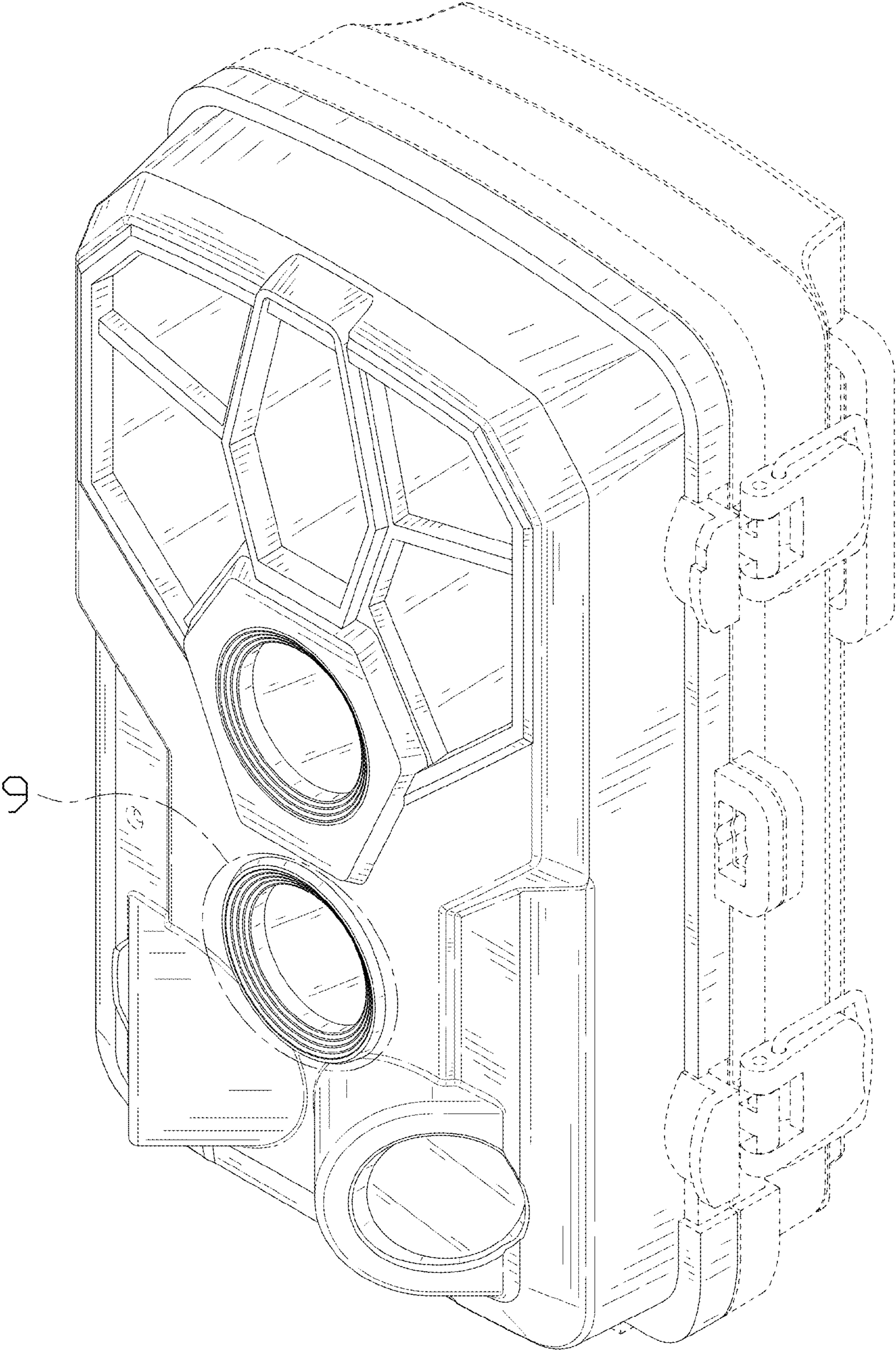


FIG. 1

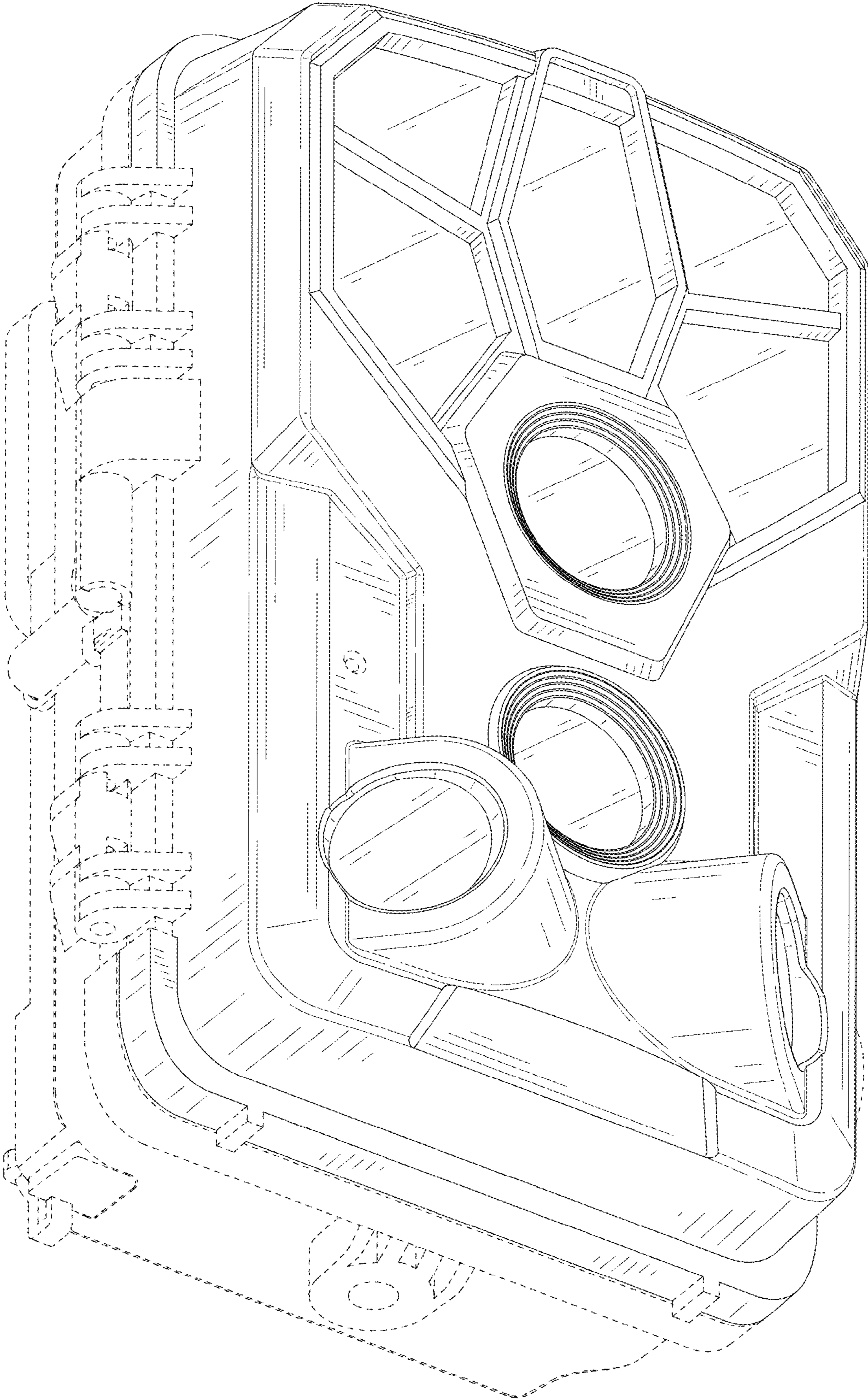


FIG. 2

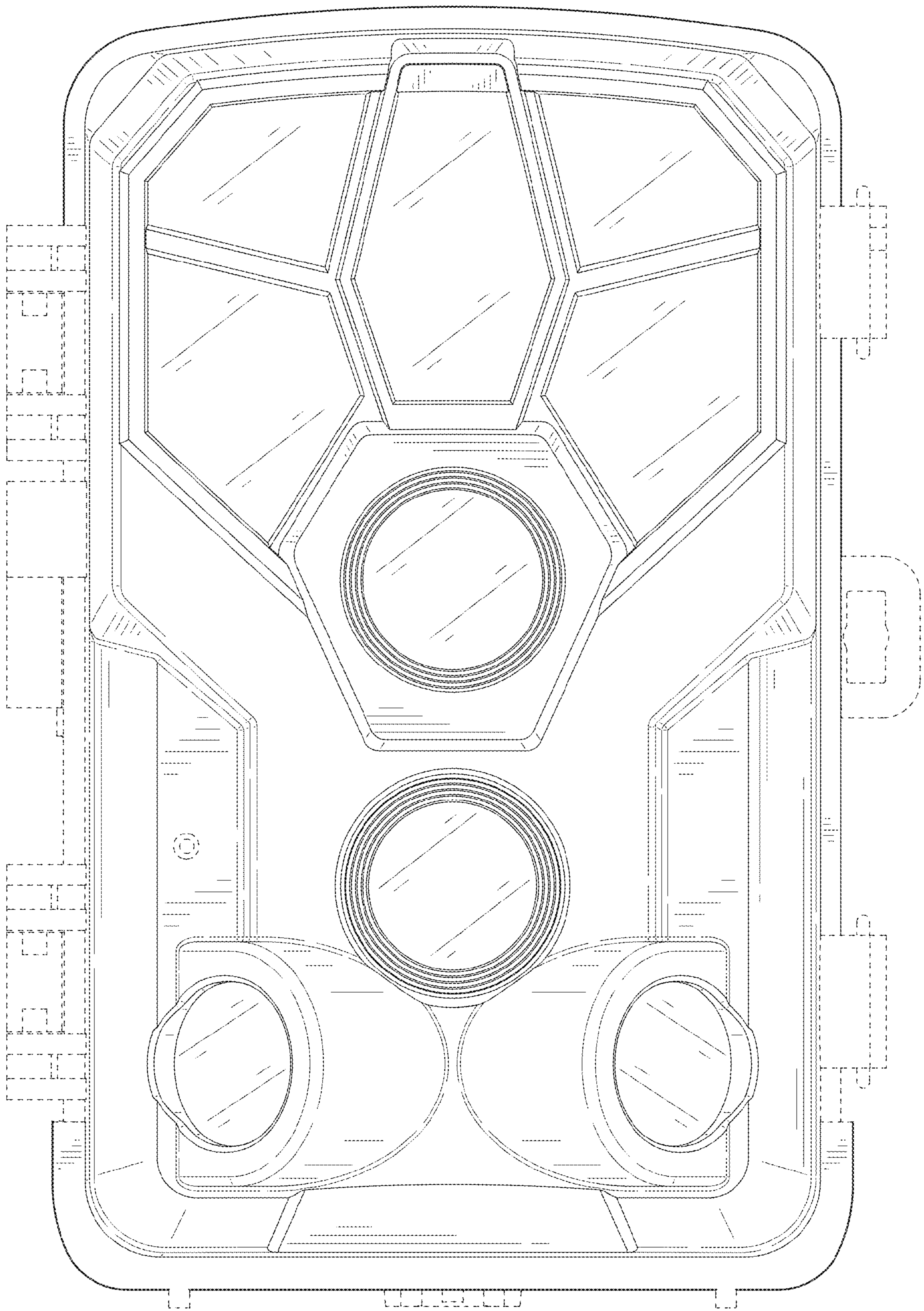


FIG. 3

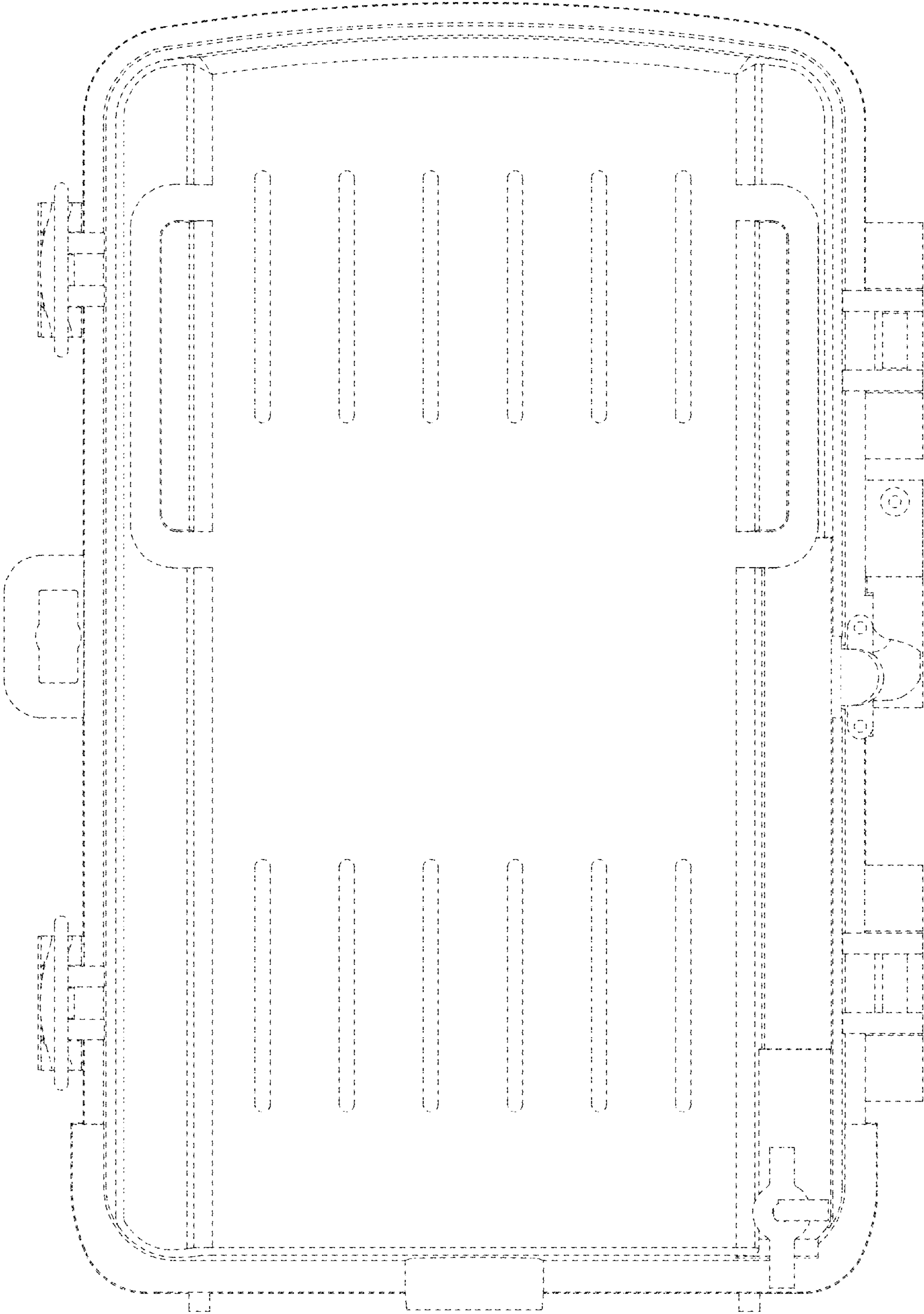


FIG. 4

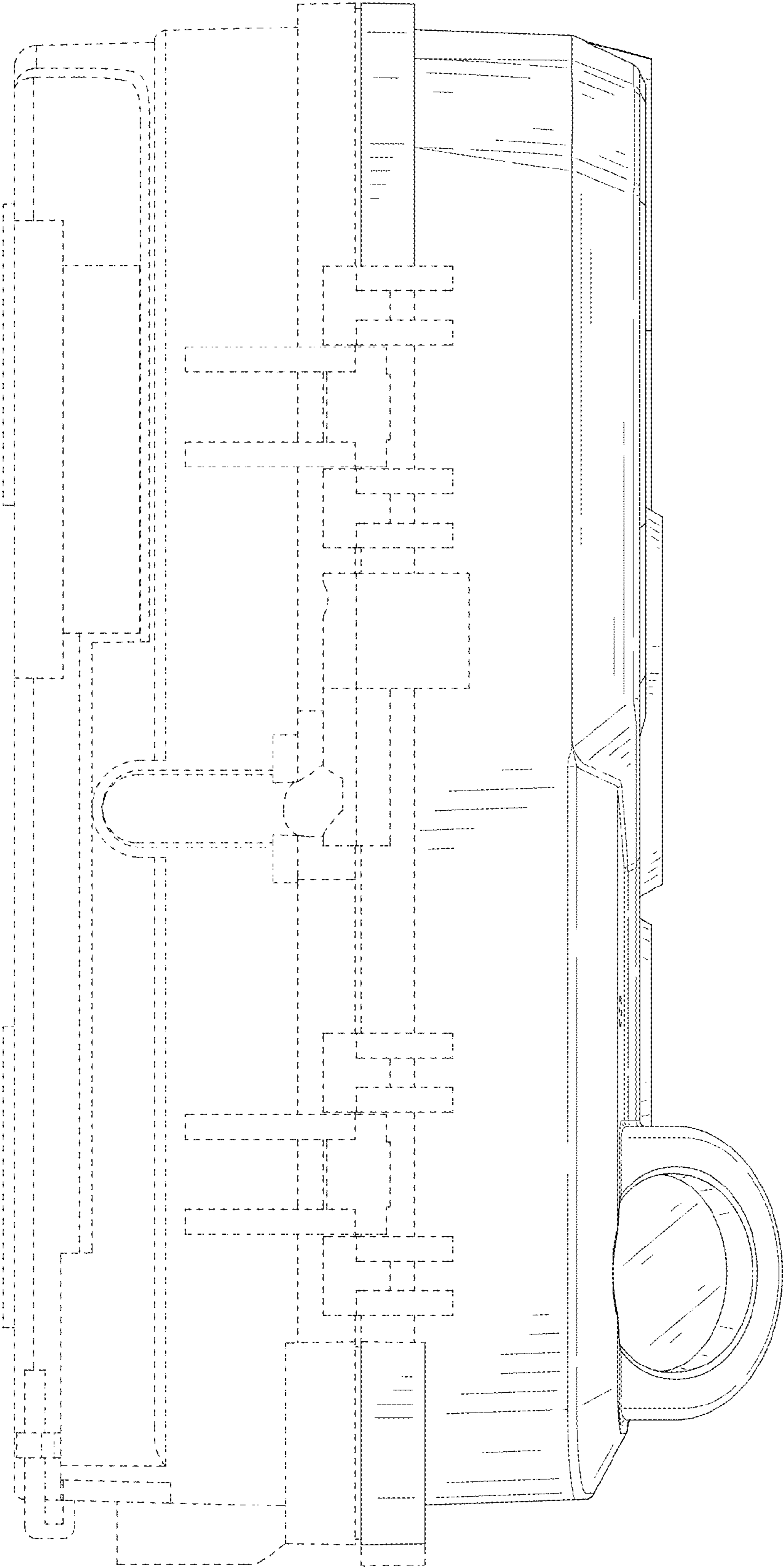


FIG. 5

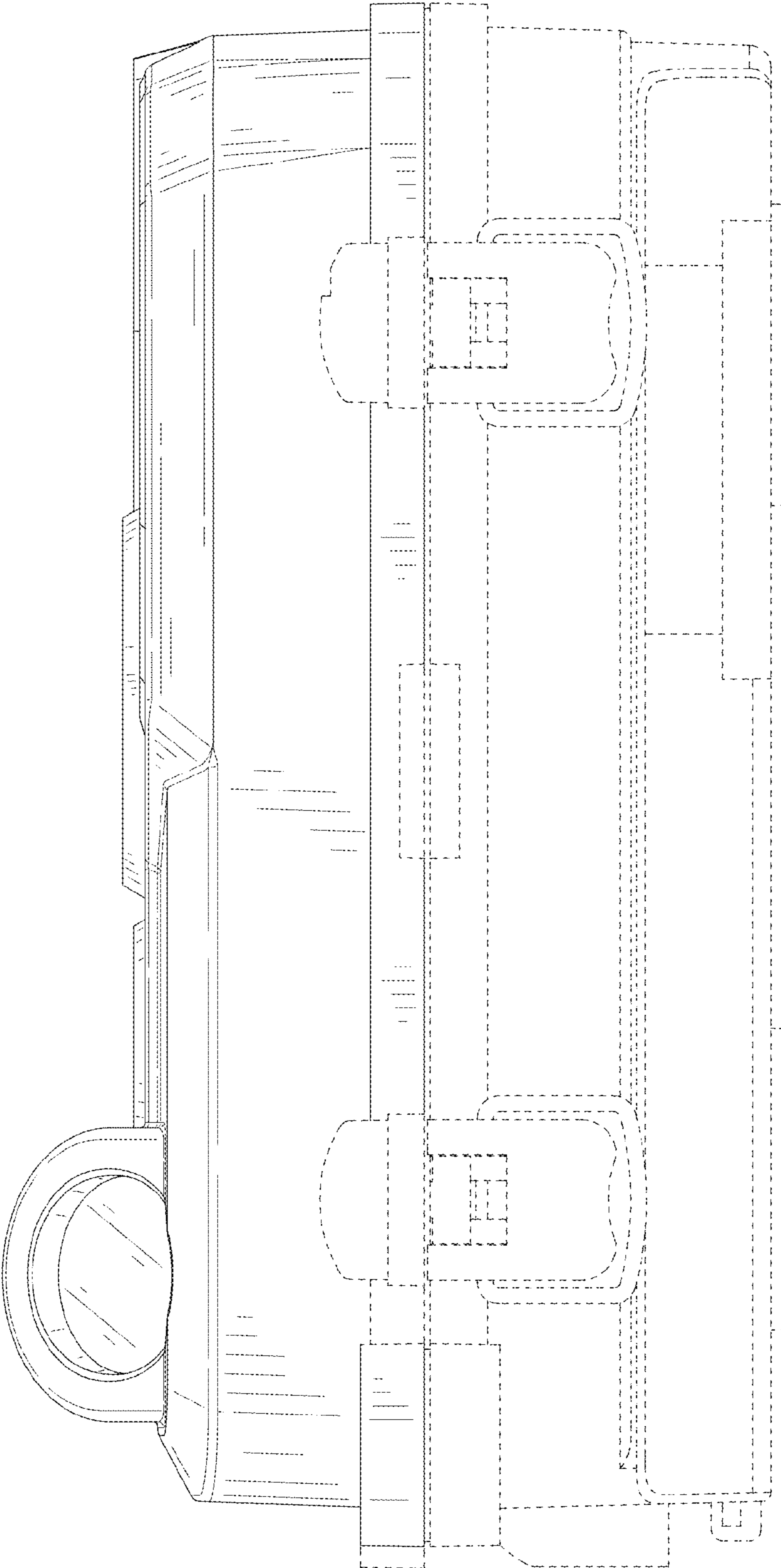


FIG. 6

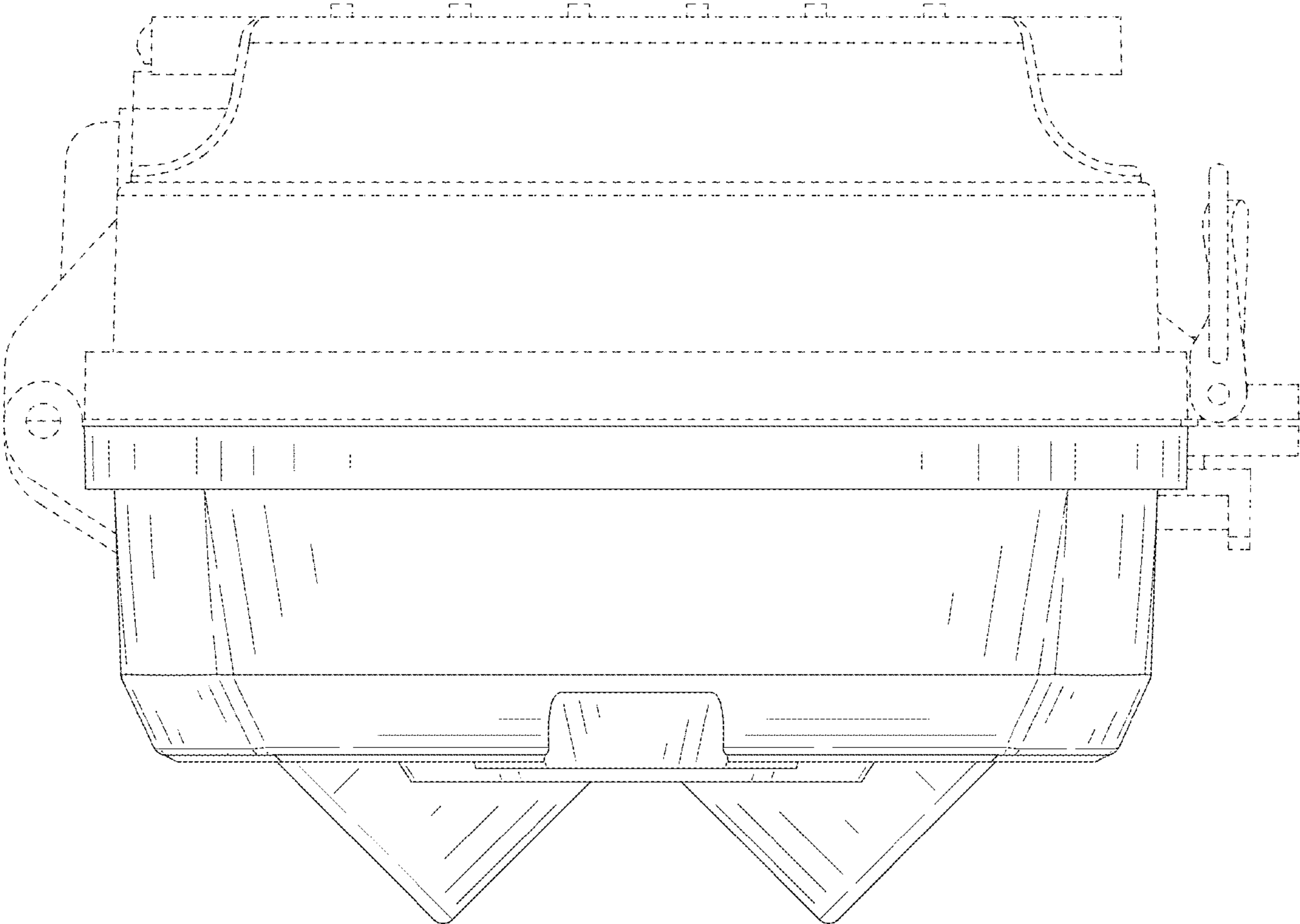


FIG. 7



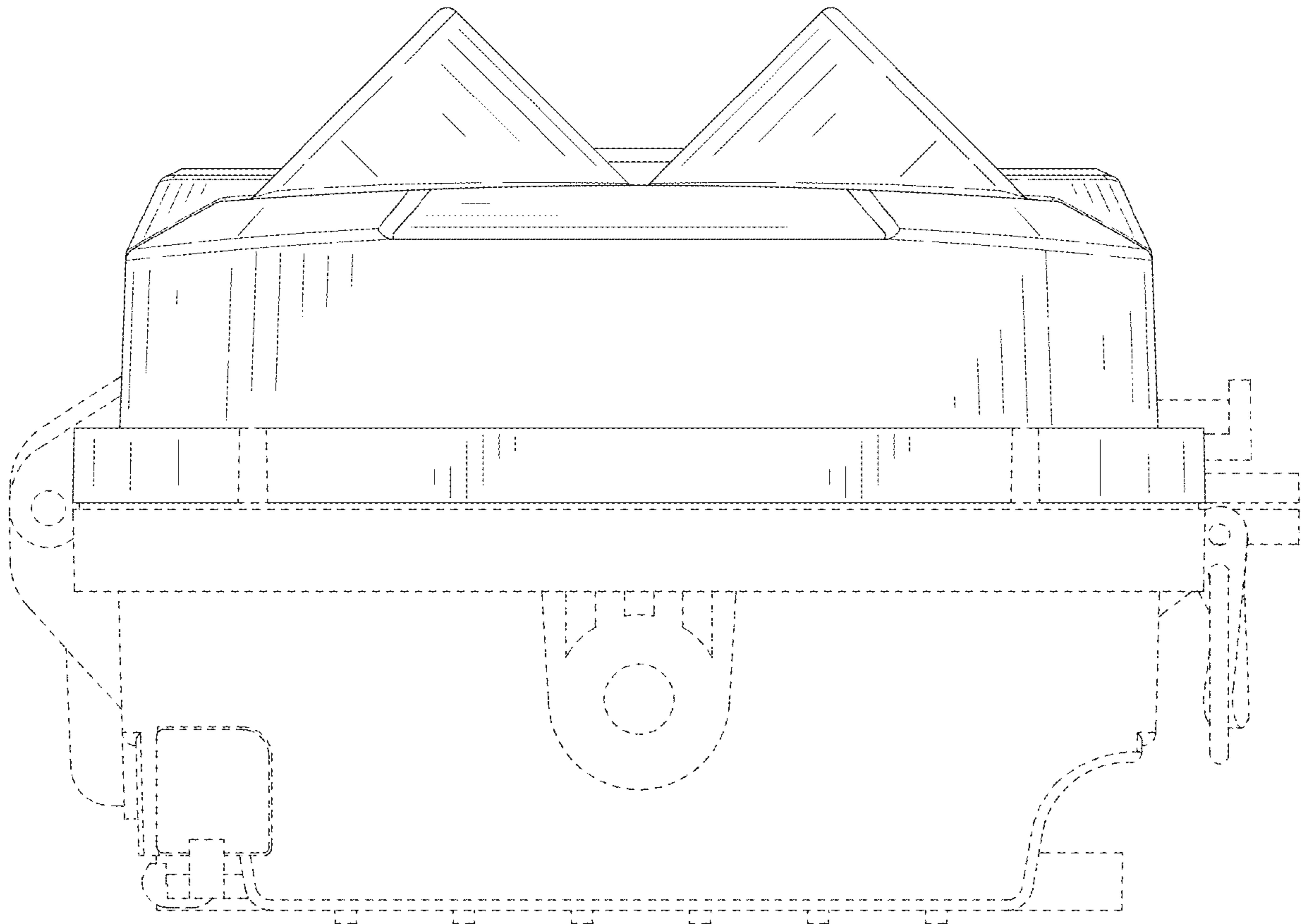


FIG. 8

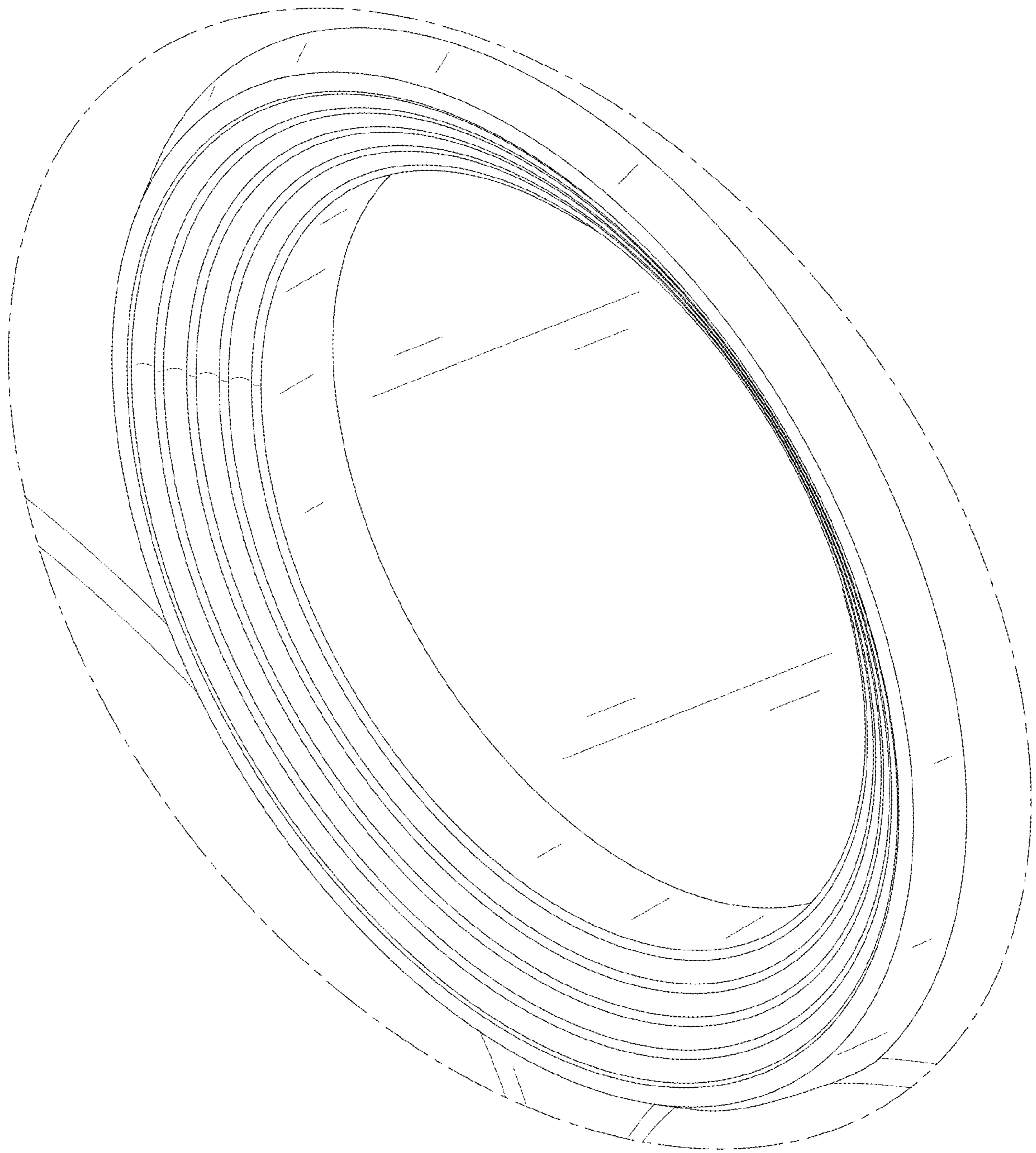


FIG. 9