



US00D971289S

(12) **United States Design Patent** (10) **Patent No.:** **US D971,289 S**
Thorne et al. (45) **Date of Patent:** **** Nov. 29, 2022**

(54) **CAMERA HOUSING**

FOREIGN PATENT DOCUMENTS

(71) Applicant: **SimpliSafe, Inc.**, Boston, MA (US)

CN 302960664 * 10/2014
EM 003853688-0003 * 4/2017

(72) Inventors: **Scott Joseph Thorne**, Cambridge, MA (US); **Dirk Ahlgrim**, Boston, MA (US); **Rebecca Petersen**, Medford, MA (US); **Michael Joseph Murray**, West Roxbury, MA (US)

(Continued)

(73) Assignee: **SimpliSafe, Inc.**, Boston, MA (US)

(**) Term: **15 Years**

(21) Appl. No.: **29/735,025**

(22) Filed: **May 18, 2020**

(51) **LOC (13) Cl.** **16-01**

(52) **U.S. Cl.**
USPC **D16/203**

(58) **Field of Classification Search**
USPC D16/200, 202, 203, 214, 219;
D10/106.2, 229.2, 109.1; D14/203.1,
D14/204, 317, 209.1, 474, 496
CPC .. H04N 2101/00; H04N 1/00005; H04N 7/18;
G03B 17/02; G03B 19/04; G03B 17/56
See application file for complete search history.

OTHER PUBLICATIONS

Lowes Eufy Security Camera, earliest pictured review Feb. 18, 2022, [online], [site visited Jul. 7, 2022]. Available from Internet, <URL: <https://www.lowes.com/pd/eufy-Security-Outdoor-Cam-2k-Spotlight-Wired-White/5005455415> > (Year: 2022).*

(Continued)

Primary Examiner — Sanjeev Paul
Assistant Examiner — Breana Copeland
(74) *Attorney, Agent, or Firm* — Wolf, Greenfield & Sacks, P.C.

(56) **References Cited**

U.S. PATENT DOCUMENTS

D349,714 S	8/1994	Hasegawa	
D500,511 S *	1/2005	Sybilrud	D16/242
D624,577 S	9/2010	Kujawski et al.	
D659,871 S	5/2012	Lee et al.	
D740,871 S *	10/2015	Moon	D16/203
D754,233 S *	4/2016	Du	D16/211
D797,176 S	9/2017	Lin et al.	
D814,544 S *	4/2018	Moon	D16/203
D825,637 S *	8/2018	Moon	D16/203
D832,329 S	10/2018	Li	
D871,483 S *	12/2019	Chang	D16/208

(Continued)

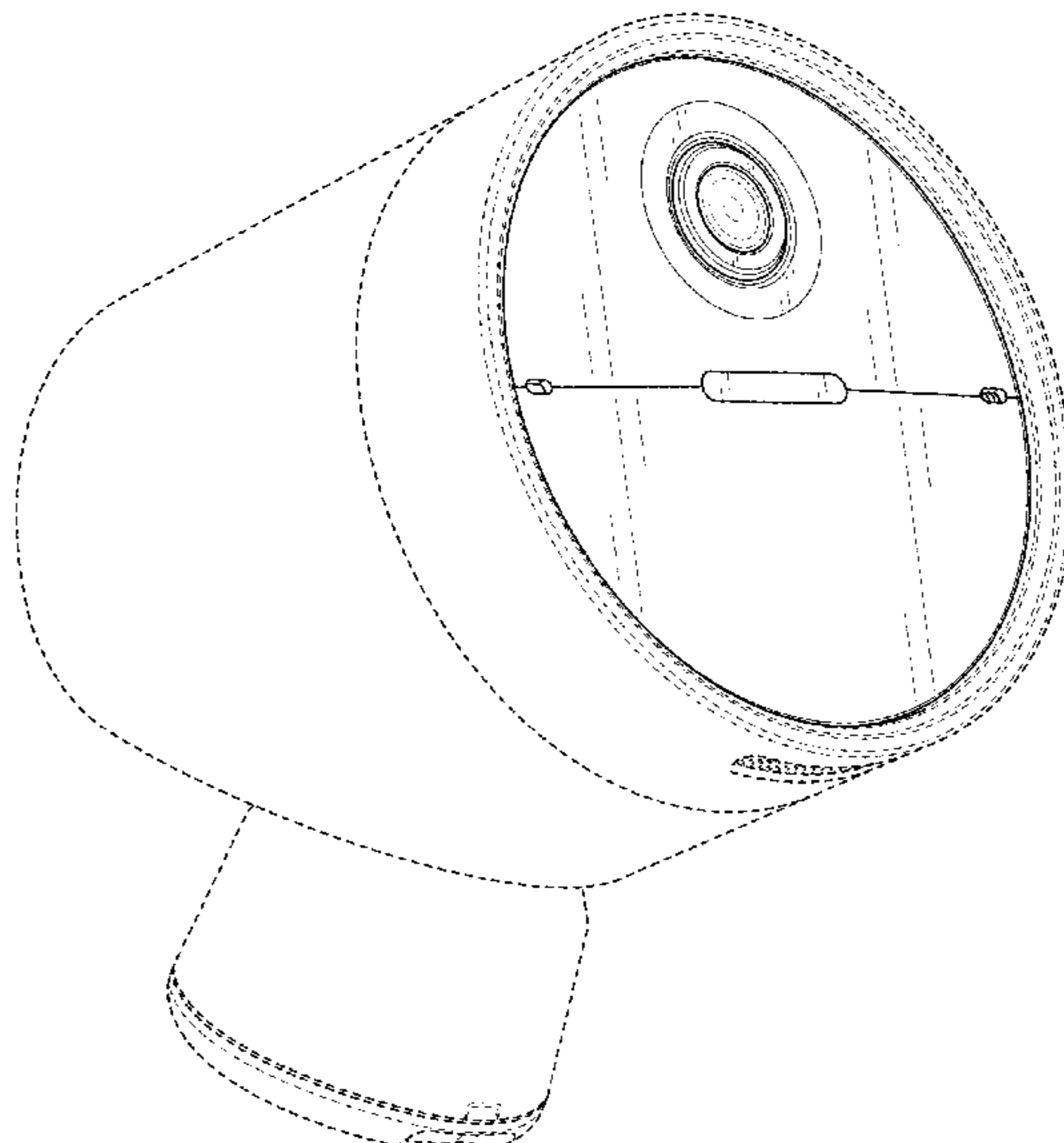
(57) **CLAIM**

The ornamental design for a camera housing, as shown and described.

DESCRIPTION

FIG. 1 is a lower, front, left perspective view of a camera housing;
FIG. 2 is a lower, rear, left perspective thereof;
FIG. 3 is a front view thereof;
FIG. 4 is a rear view thereof;
FIG. 5 is a left side view thereof;
FIG. 6 is a right side view thereof;
FIG. 7 is a top view thereof; and,
FIG. 8 is a bottom view thereof.
Features shown in dashed lines in the drawings are included for the purpose of illustrating unclaimed portions of the camera housing and form no part of the claimed design.

1 Claim, 8 Drawing Sheets



(56)

References Cited

U.S. PATENT DOCUMENTS

D947,271 S * 3/2022 Chen D16/218
2021/0356104 A1 * 11/2021 Thorne F21L 4/04

FOREIGN PATENT DOCUMENTS

GB 6128821 * 4/2021
GB 6128822 * 4/2021
KR 301034502.0000 * 11/2019

OTHER PUBLICATIONS

Nooie Outdoor Camera, earliest pictured review Sep. 25, 2020, [online], [site visited Jul. 7, 2022]. Available from Internet, <URL:https://nooie.com/products/nooie-cam-outdoor> (Year: 2020).*

Wyze Wireless Outdoor Surveillance Home Security Camera, earliest date available unknown, [online], [site visited Jul. 7, 2022]. Available from Internet, <URLhttps://www.wyze.com/products/wyze-cam-outdoor?related_selling_plan=41618559008930> (Year: 2022).*

Google Image Search: Outdoor Mounted Camera, [online], [site visited Jul. 7, 2022]. Available from Internet, <URL: https://www.google.com/search7q=wireless+outdoor+security+cameras&source=Inms&tbm=isch&sa=X&ved=2ahUKEwiN14yeief4AhVsEFkFHQJQD5UQ_AUoA3oECAEQBQ&biw=1920&bih=937&dpr=1> (Year: 2022).*

* cited by examiner

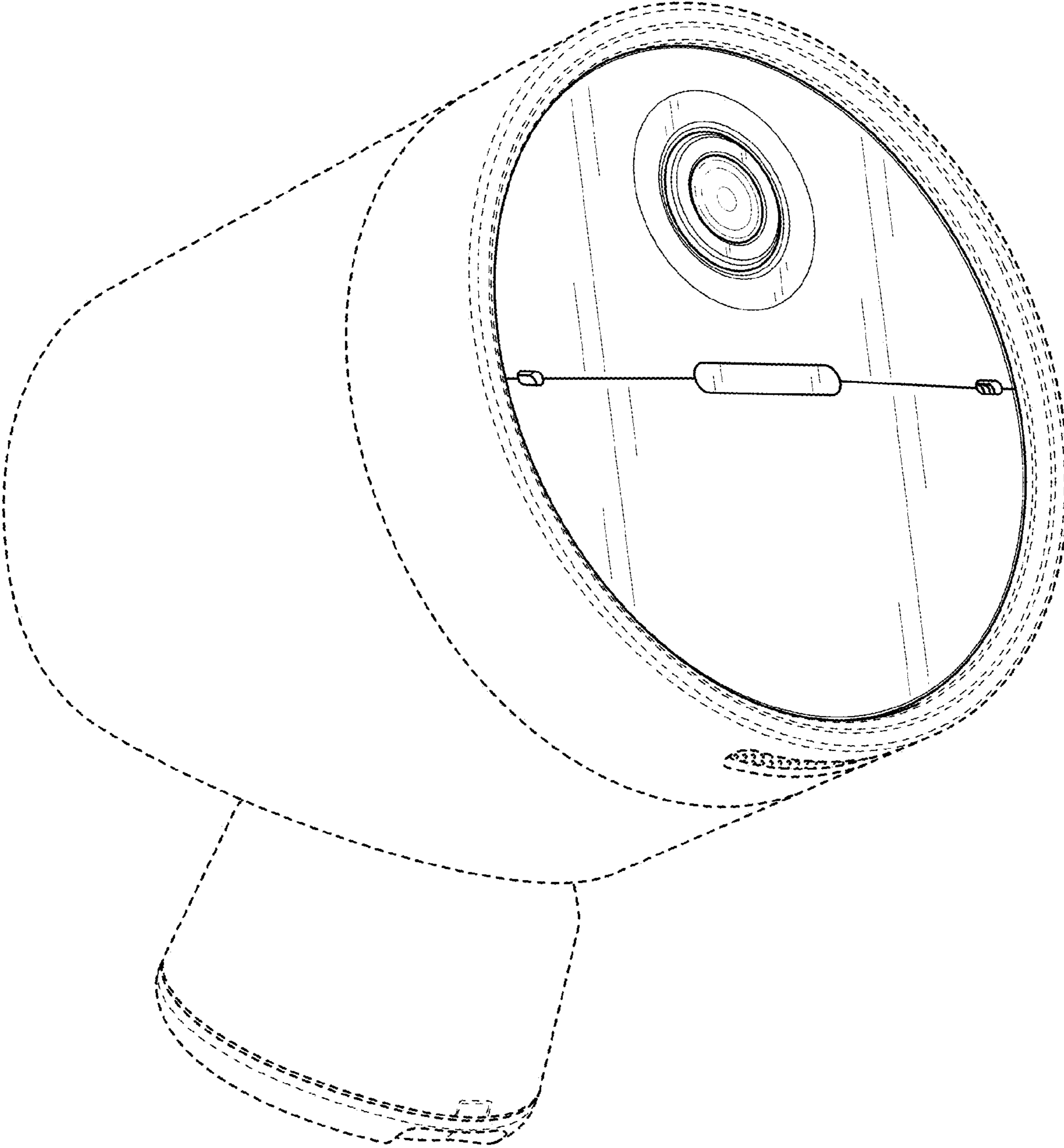


FIG. 1

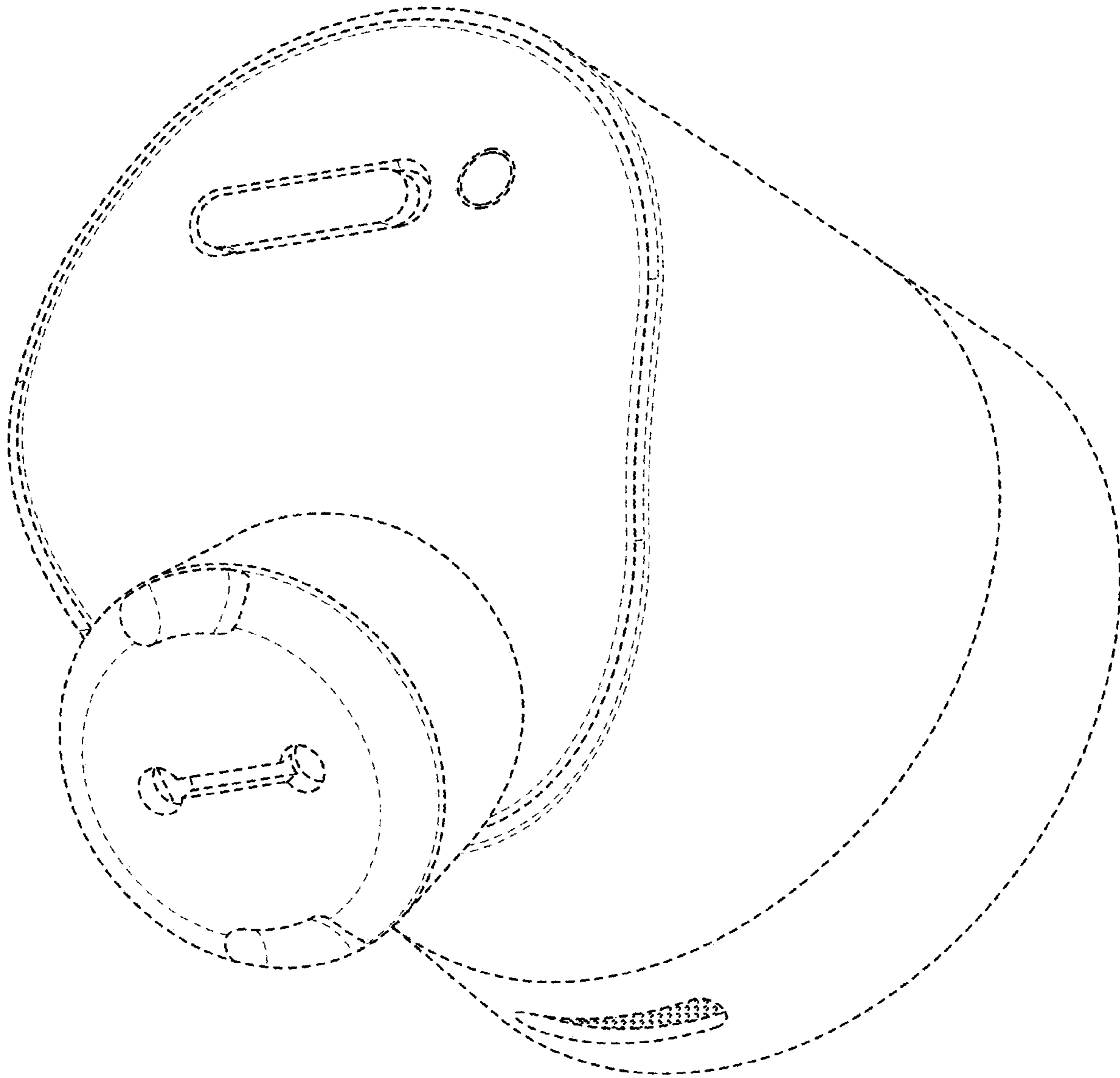


FIG. 2

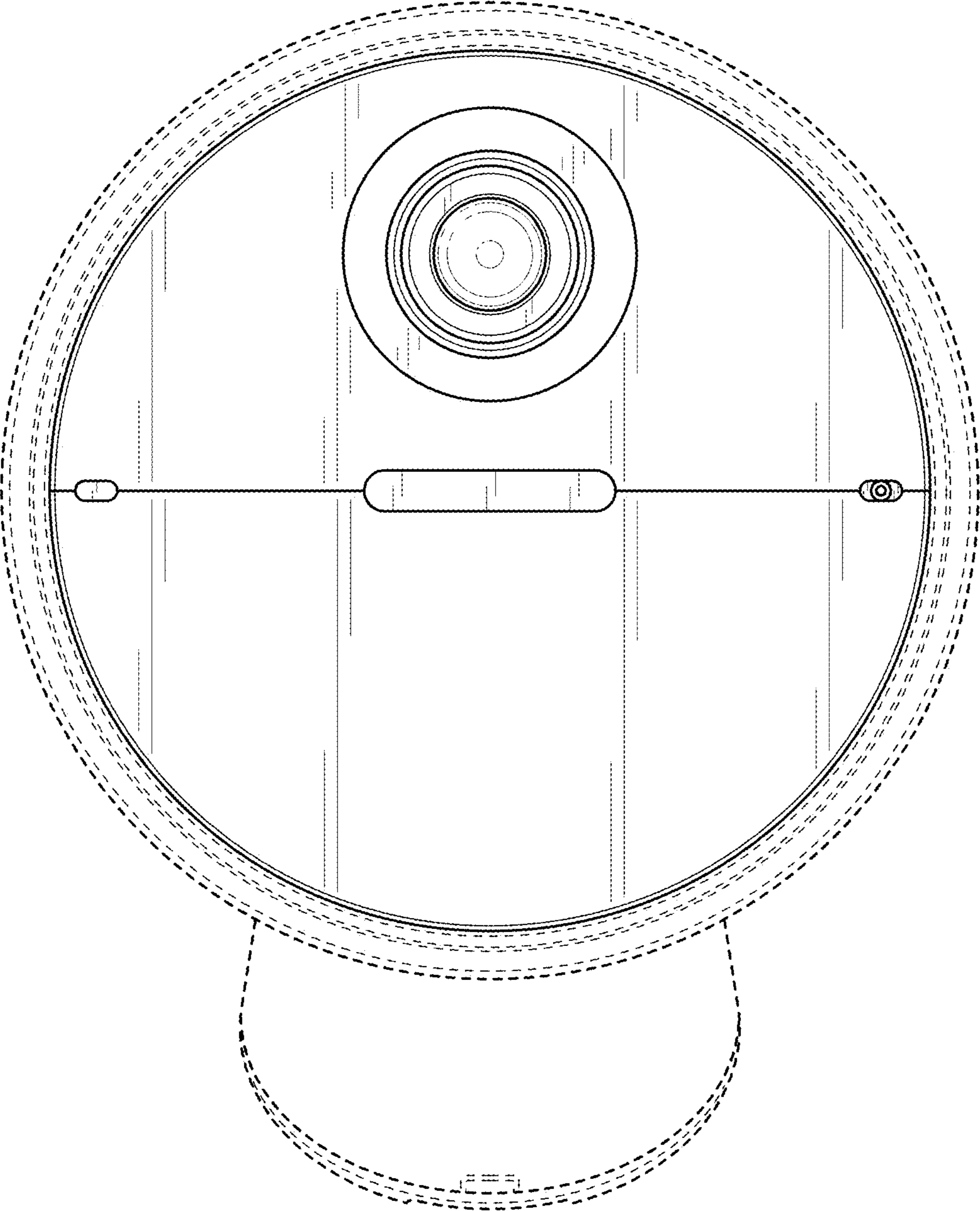


FIG. 3

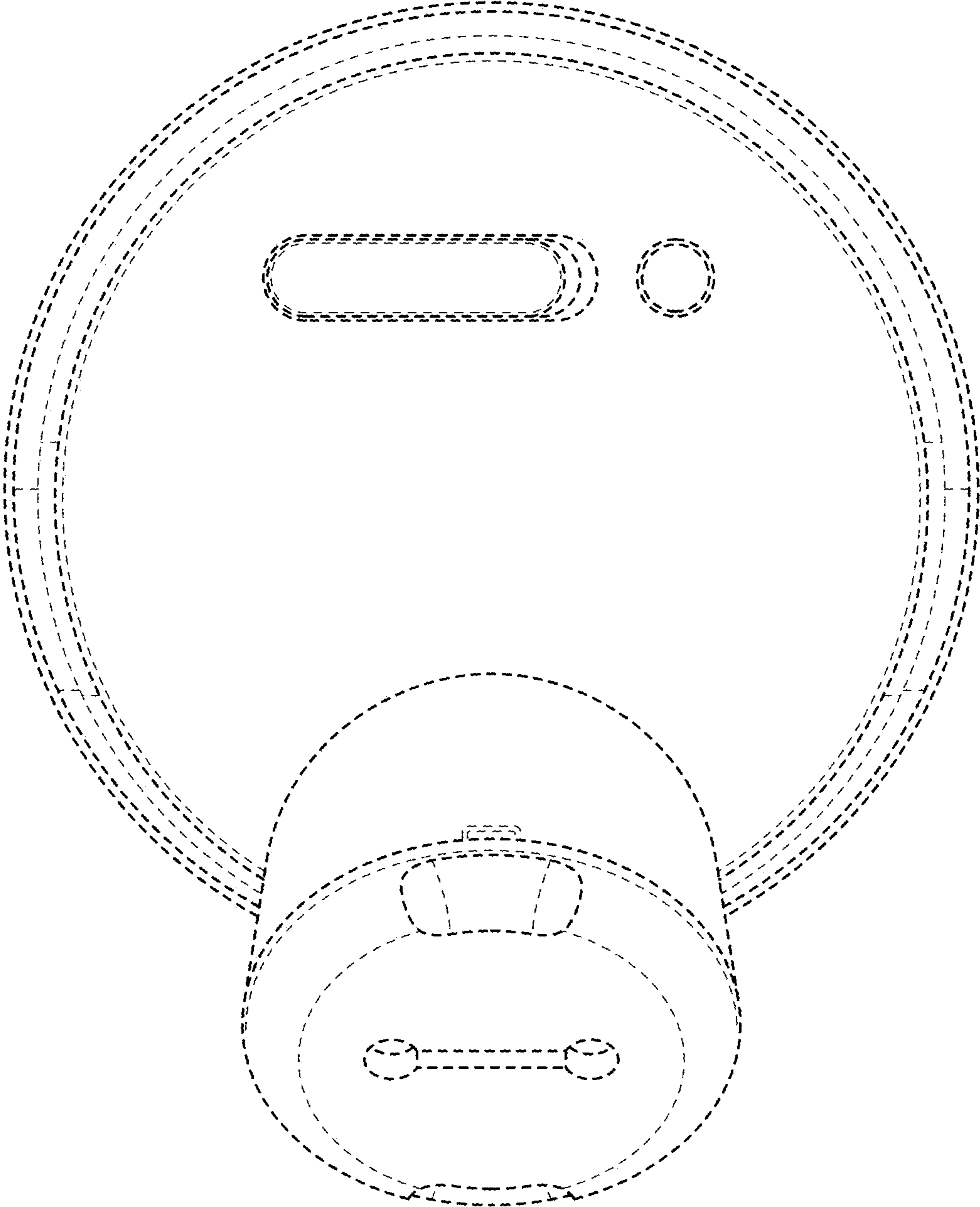


FIG. 4

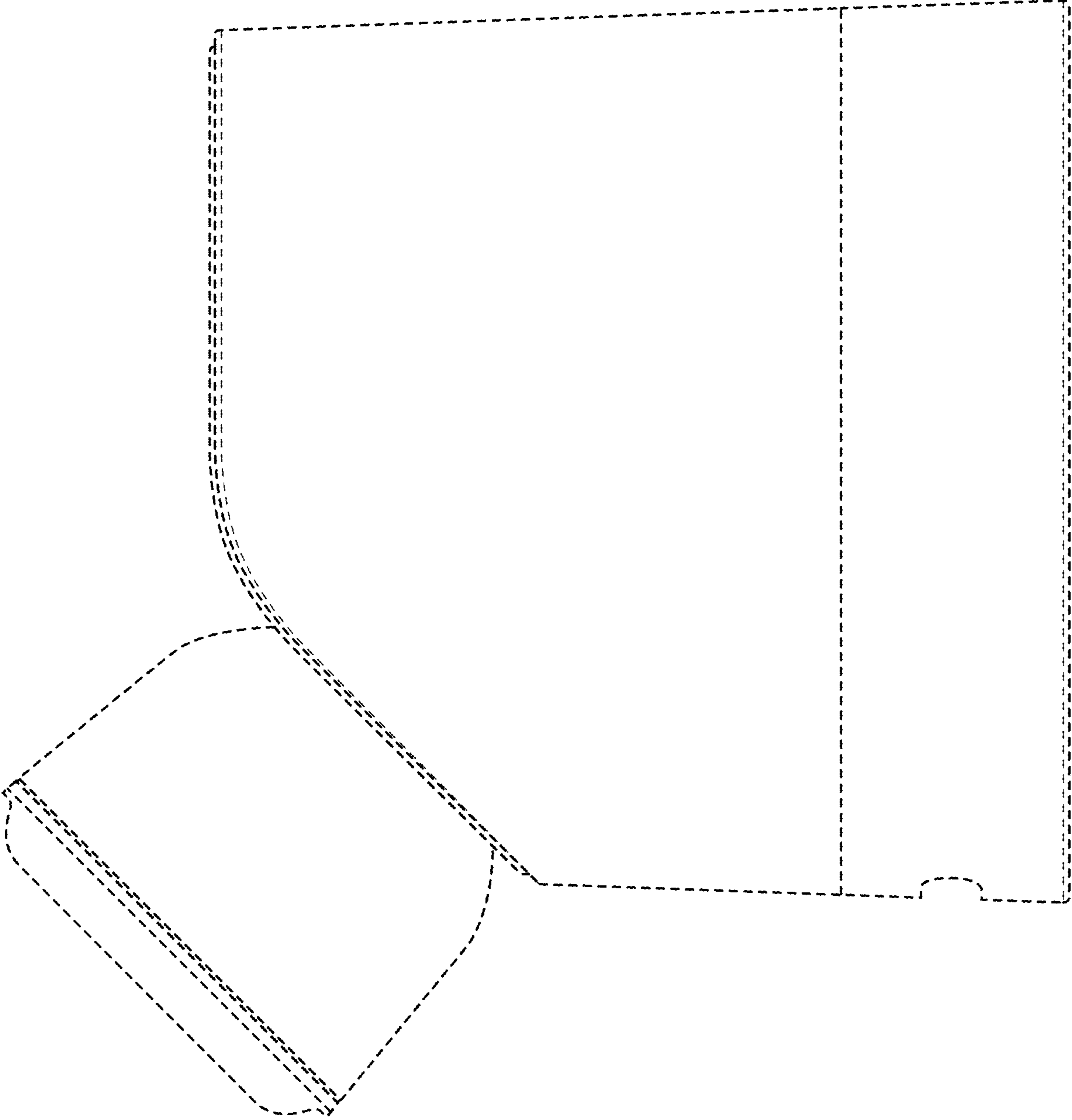


FIG. 5

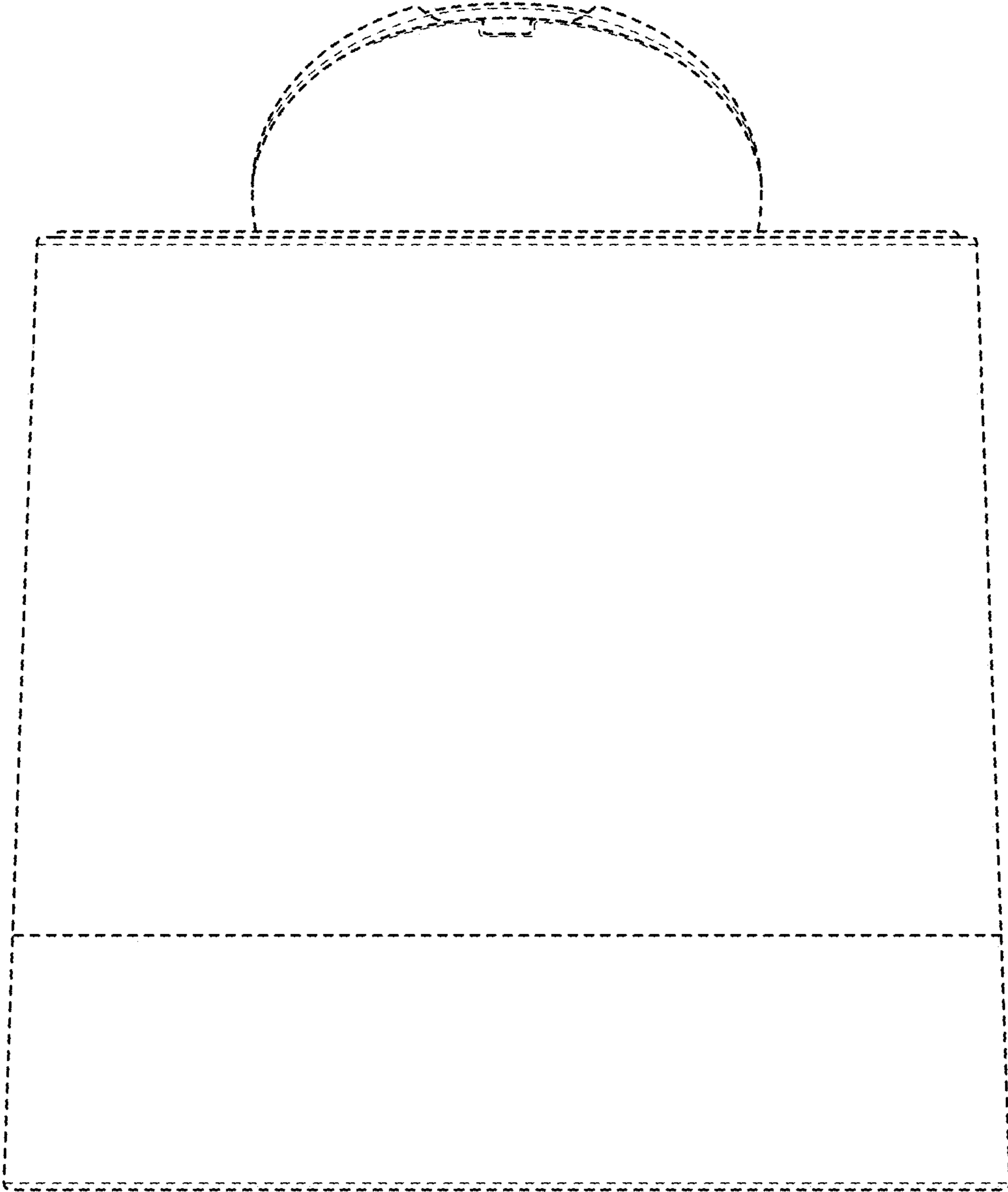


FIG. 7

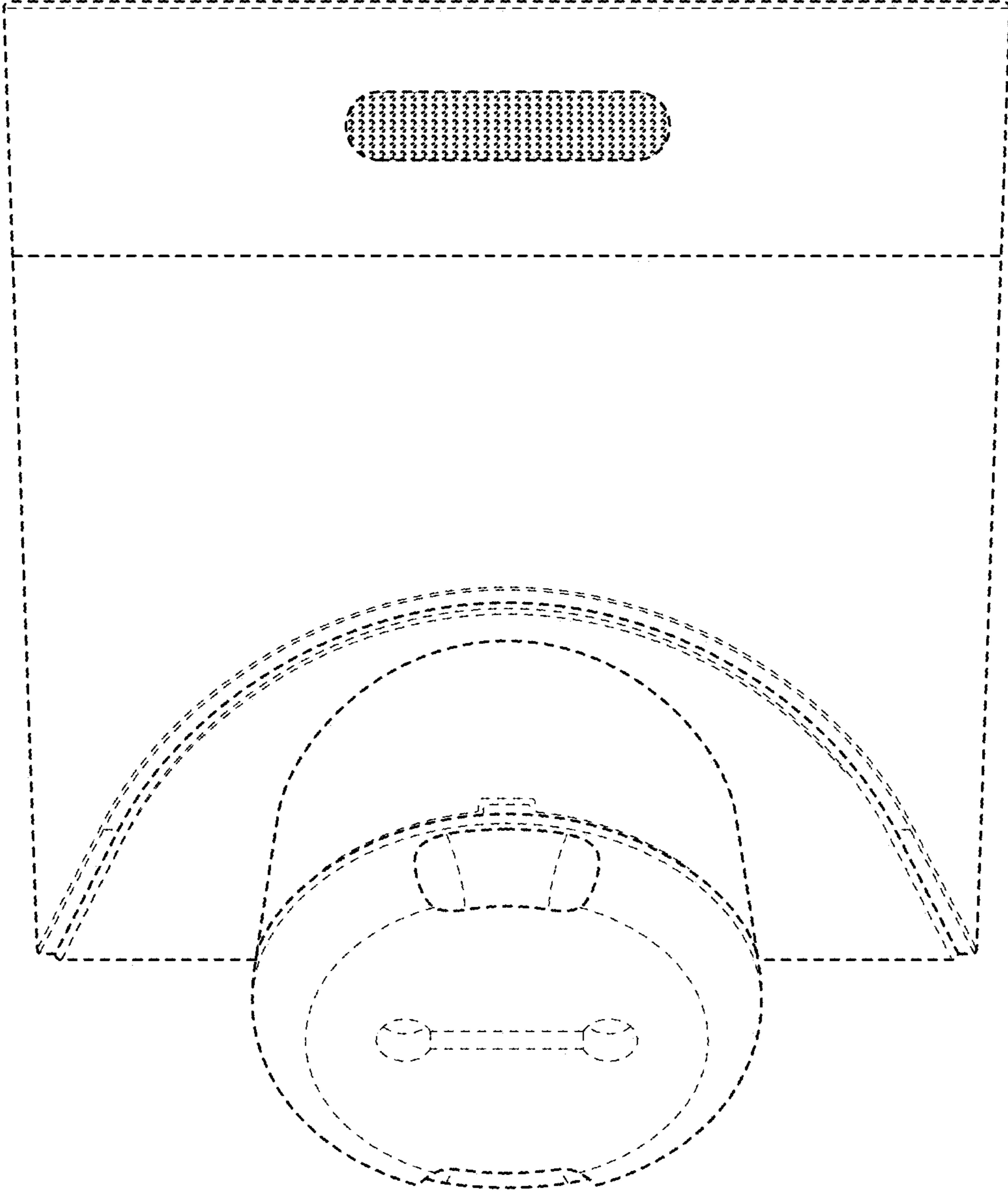


FIG. 8