



US00D971288S

(12) **United States Design Patent**
Cheng

(10) **Patent No.:** **US D971,288 S**

(45) **Date of Patent:** **** Nov. 29, 2022**

(54) **SECURITY CAMERA**

FOREIGN PATENT DOCUMENTS

(71) Applicant: **SHENZHEN FUSHIKANG INTELLIGENT CO., LTD.**, Shenzhen (CN)

CN 302960664 * 10/2014
CN 305066723 * 3/2019
CN 307402775 * 6/2022

(72) Inventor: **Zhiyong Cheng**, Shenzhen (CN)

OTHER PUBLICATIONS

(73) Assignee: **SHENZHEN FUSHIKANG INTELLIGENT CO., LTD.**, Shenzhen (CN)

“Indoor Camera” from Xfinity.com, first retrieved Aug. 23, 2022 from the internet<<https://www.xfinity.com/learn/home-security/devices/indoor-cameras>> (Year: 2022).*

(**) Term: **15 Years**

(Continued)

(21) Appl. No.: **29/814,605**

Primary Examiner — Elizabeth J Oswecki
Assistant Examiner — Lacey Chey Bowman

(22) Filed: **Nov. 8, 2021**

(51) **LOC (13) Cl.** **16-01**

(57) **CLAIM**

(52) **U.S. Cl.**
USPC **D16/202; D16/203**

The ornamental design for a security camera, as shown and described.

(58) **Field of Classification Search**
USPC D16/200–204, 205–211, 213, 217–219, D16/237, 243; D10/46, 50, 52, 104.1, D10/106.6, 106.7, 114.8; D14/203.1, D14/204, 317, 474, 496, 510
CPC G03B 17/00; G03B 17/02; G03B 2217/00; H04N 5/2251; H04N 5/2252; H04N 5/22525

DESCRIPTION

See application file for complete search history.

FIG. 1 is a top, front perspective view of a security camera showing my new design;
FIG. 2 is a bottom, rear perspective view thereof;
FIG. 3 is a front elevational view thereof;
FIG. 4 is a rear elevational view thereof;
FIG. 5 is a left side elevational view thereof;
FIG. 6 is a right side elevational view thereof;
FIG. 7 is a top plan view thereof;
FIG. 8 is a bottom plan view thereof;
FIG. 9 is another top, front perspective view thereof, shown in a used condition; and,
FIG. 10 is an enlarged portion view taken from encircled portion labeled, “FIG. 10”, in FIG. 2.

The dash-dash broken lines in the drawings depict portions of the security camera that form no part of the claimed design. The dot-dash broken lines represent the boundary of the enlarged portion and form no part of the claimed design.

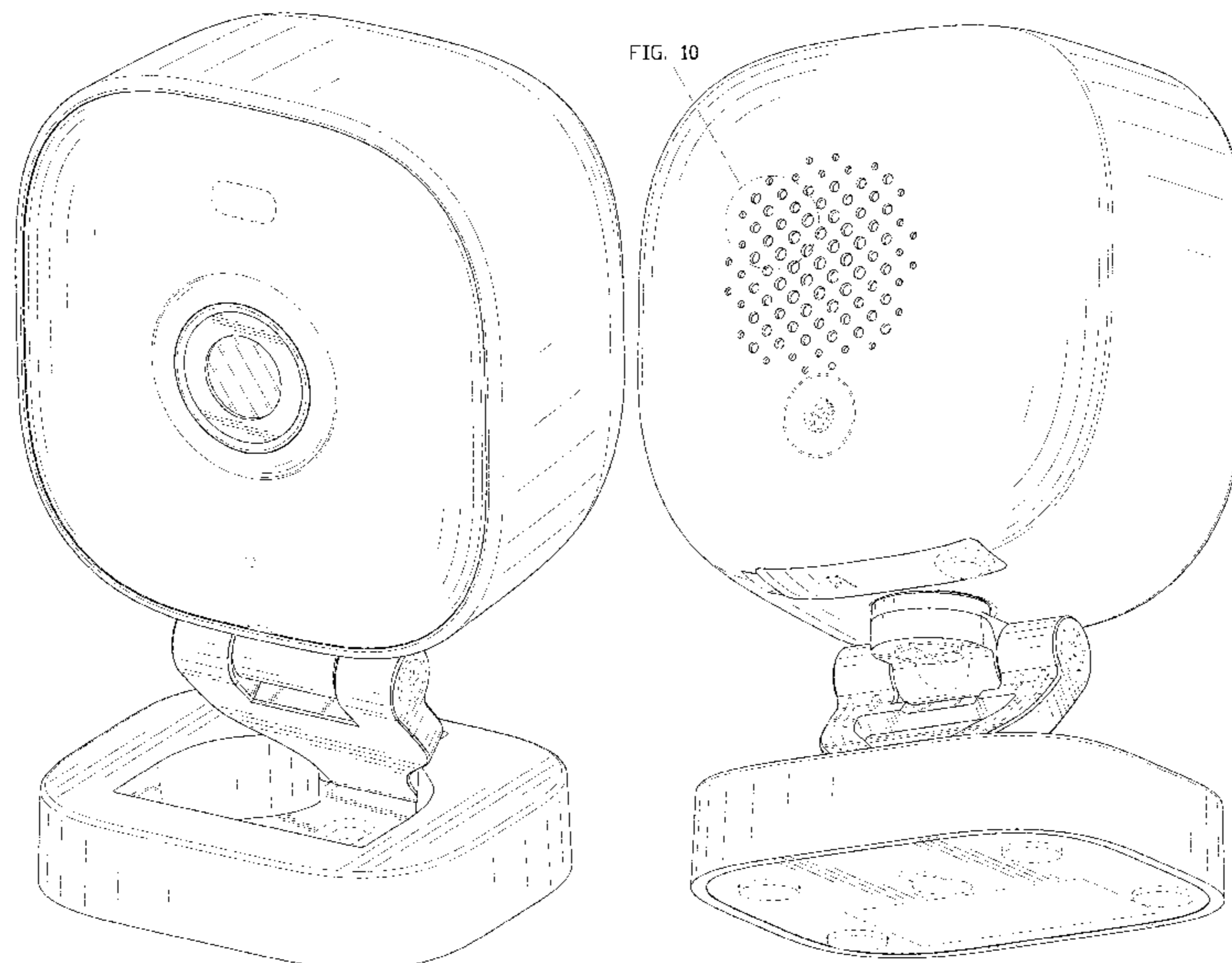
(56) **References Cited**

U.S. PATENT DOCUMENTS

D624,108 S	*	9/2010	Wang	D16/219
D624,109 S	*	9/2010	Wang	D16/242
D740,871 S	*	10/2015	Moon	D16/203
D741,932 S	*	10/2015	Huang	D16/202
D748,709 S	*	2/2016	Jeong	D16/202
D754,233 S	*	4/2016	Du	D16/211
D858,321 S	*	9/2019	Recker	D10/70
D866,633 S		11/2019	Siminoff et al.		
D898,096 S		10/2020	Moon et al.		

(Continued)

1 Claim, 10 Drawing Sheets



(56)

References Cited

U.S. PATENT DOCUMENTS

D906,138 S * 12/2020 Hayes D10/70
D914,076 S * 3/2021 Abel D16/202
D924,300 S * 7/2021 Zhao D16/202
D930,062 S * 9/2021 Abel D16/202
D937,923 S * 12/2021 Lin D16/203
D960,953 S * 8/2022 Chen D16/202

OTHER PUBLICATIONS

“1080p Full HD Wireless Indoor IP Security Camera” from Homedepot.com, first retrieved Aug. 23, 2022 from the internet <<https://www.homedepot.com/p/NexHT-1080p-Full-HD-Wireless-Indoor-IP-Security-Camera-86314/310790766>> (Year: 2022).*

“Vimtag Mini G3 Security Camera Outdoor/Indoor with Spotlight, Plug-in 1080P HD Color Night Vision Home Cam with AI Human Detection, 2-Way Audio, WiFi Camera with Cloud/SD Card Storage, Support Alexa” from Amazon.com, first available Mar. 1, 2022 from the internet <<https://www.amazon.com/Security-Outdoor-Spotlight-Detection-Storage/dp/B09TNM7NGX/>> (Year: 2022).*

* cited by examiner

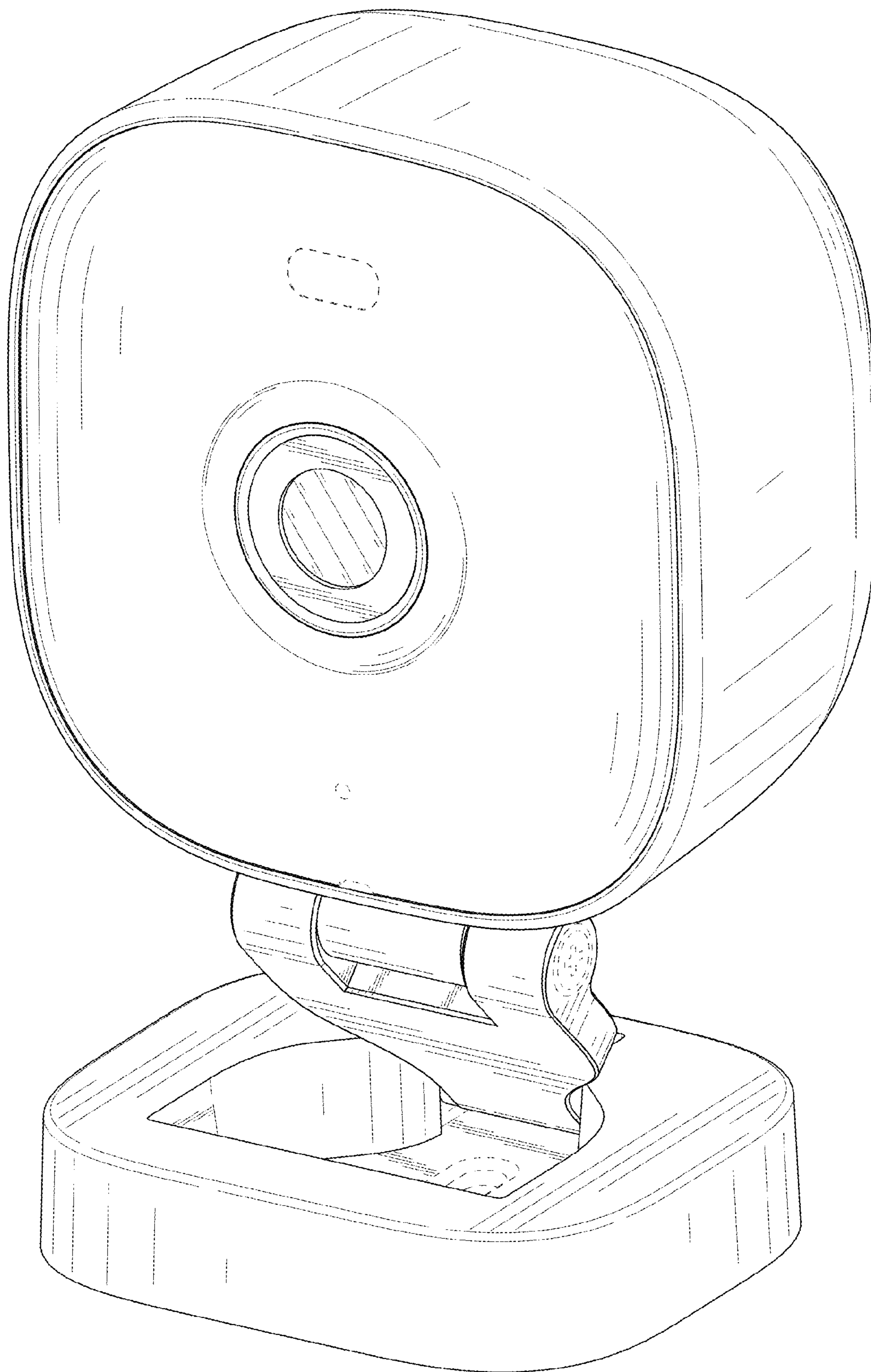


FIG. 1

FIG. 10

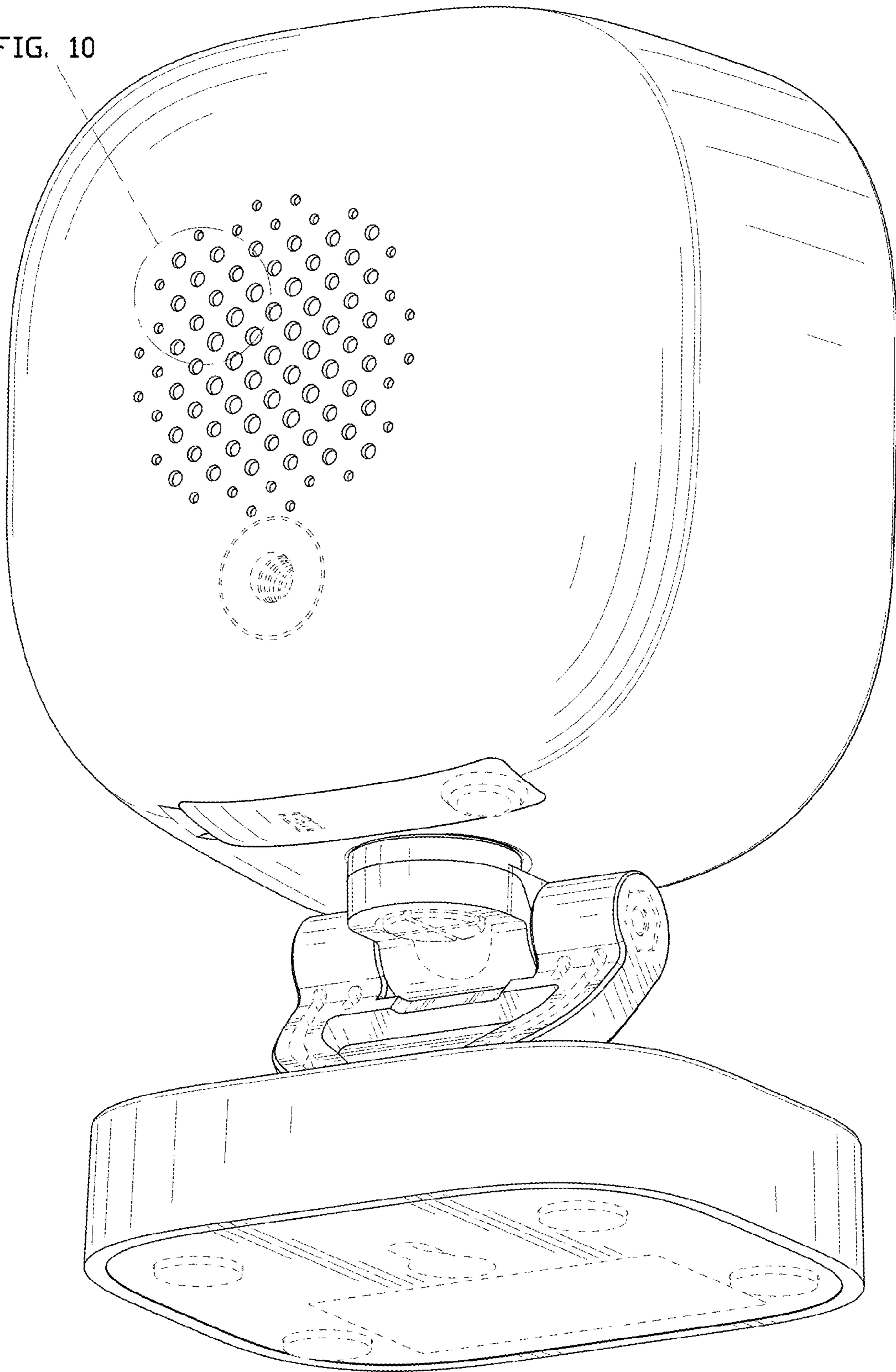


FIG. 2

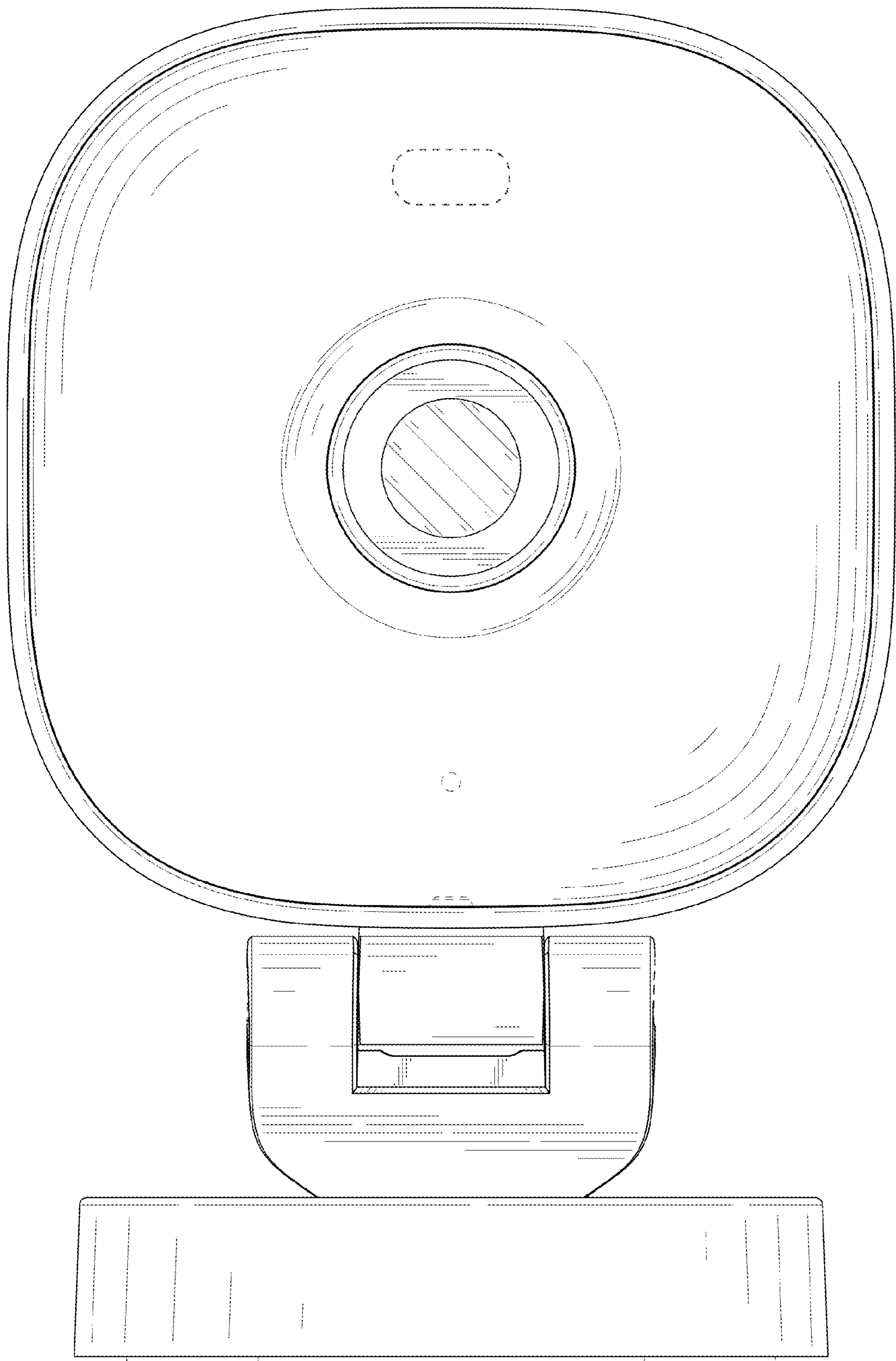


FIG. 3

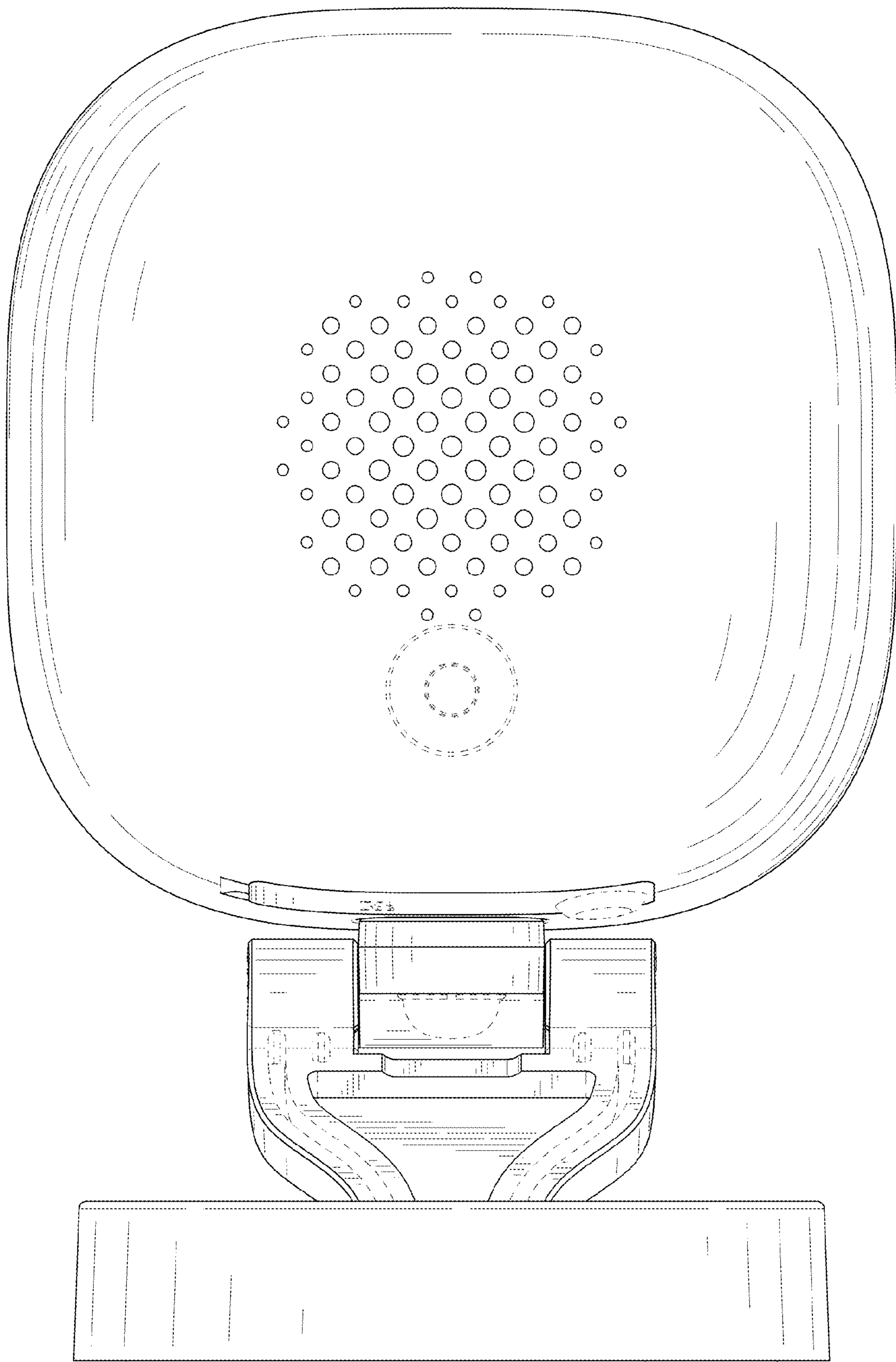


FIG. 4

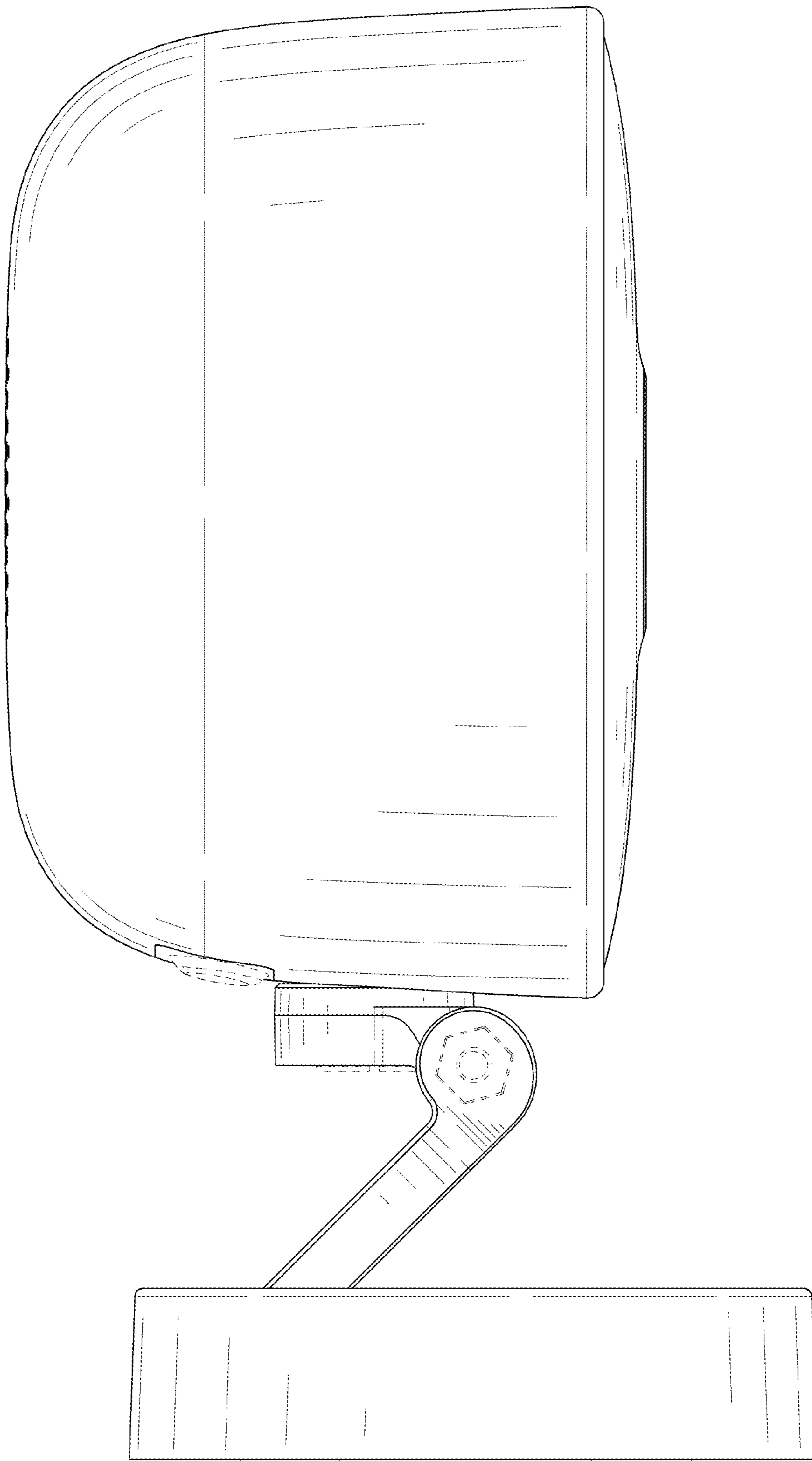


FIG. 5

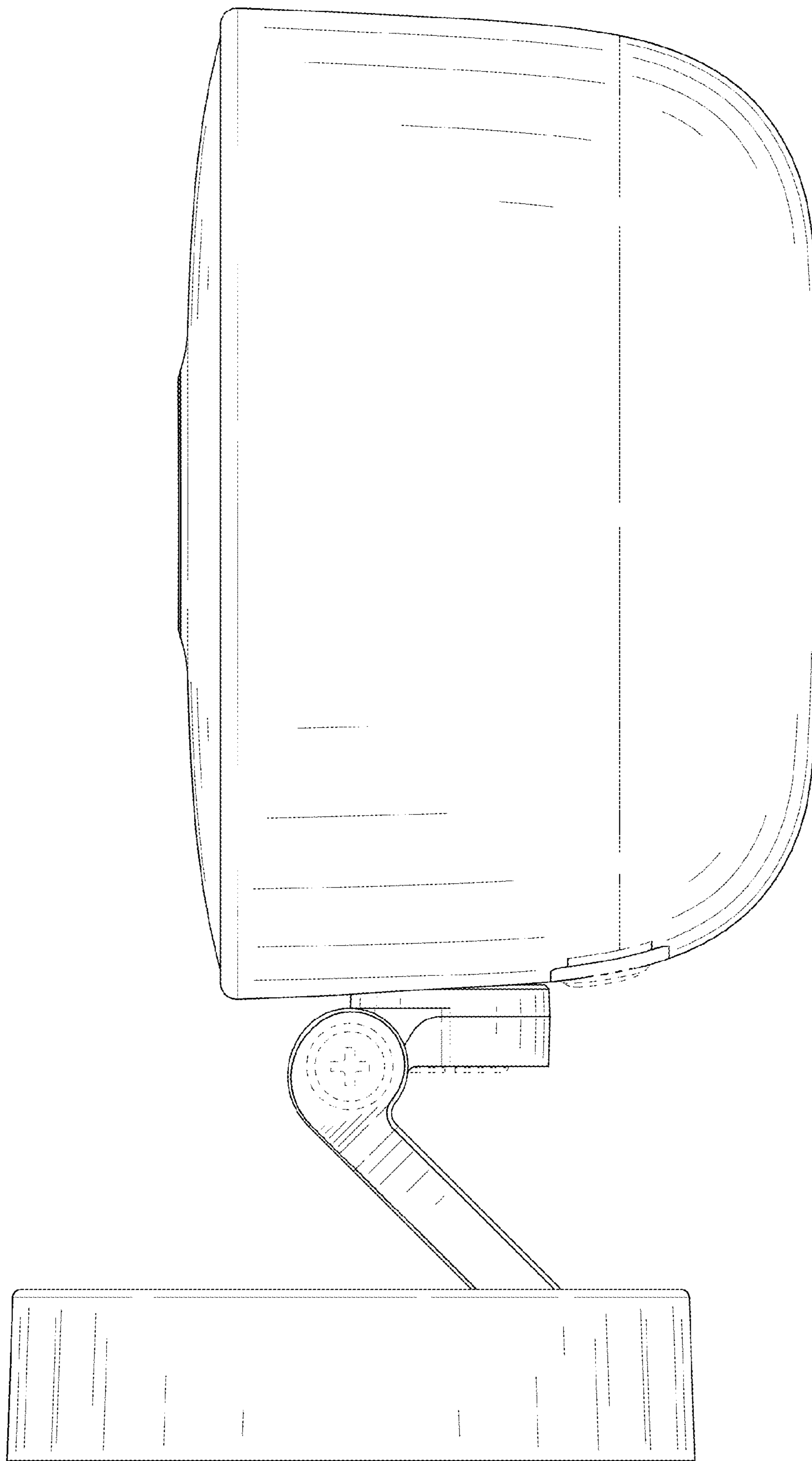


FIG. 6

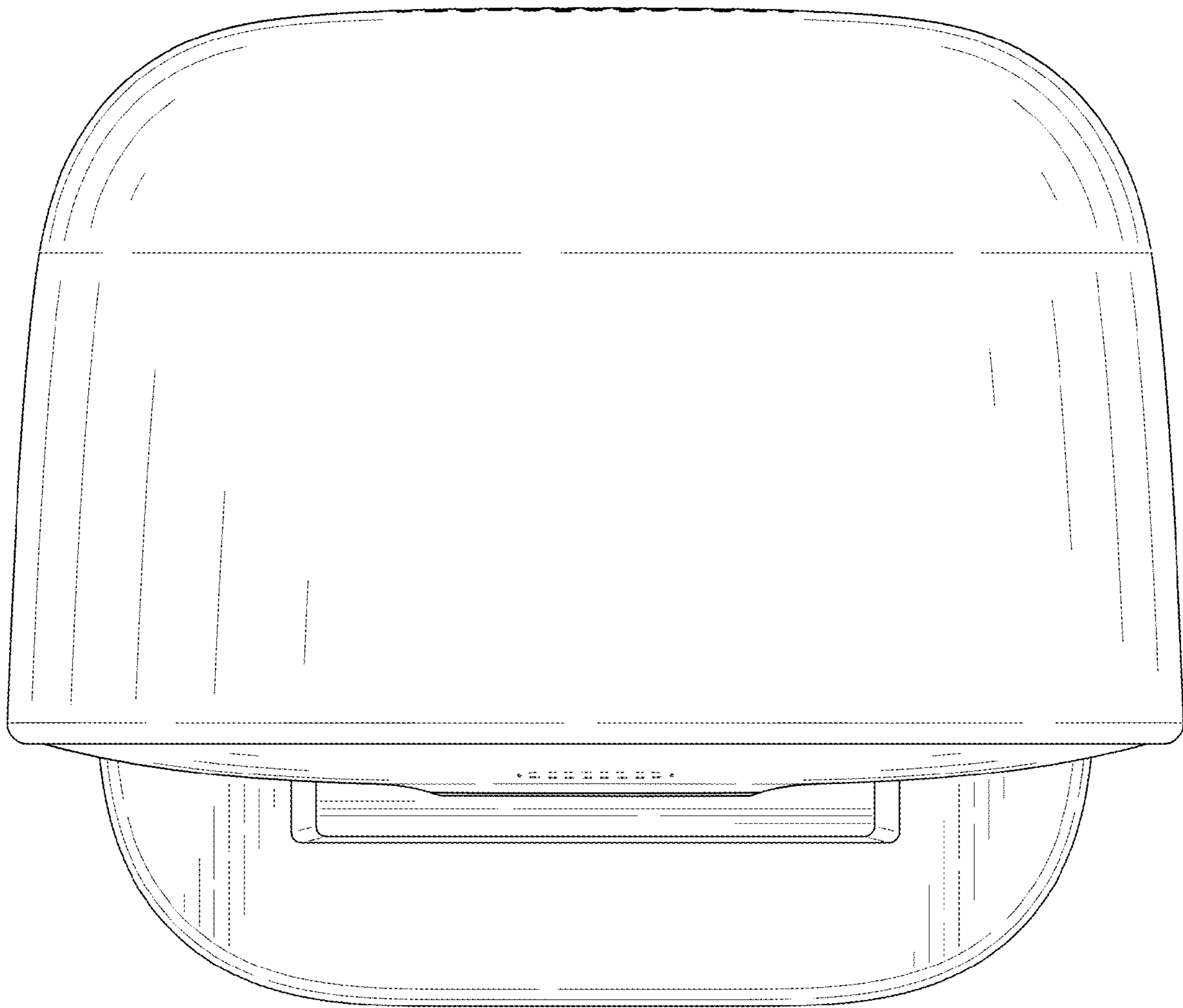


FIG. 7

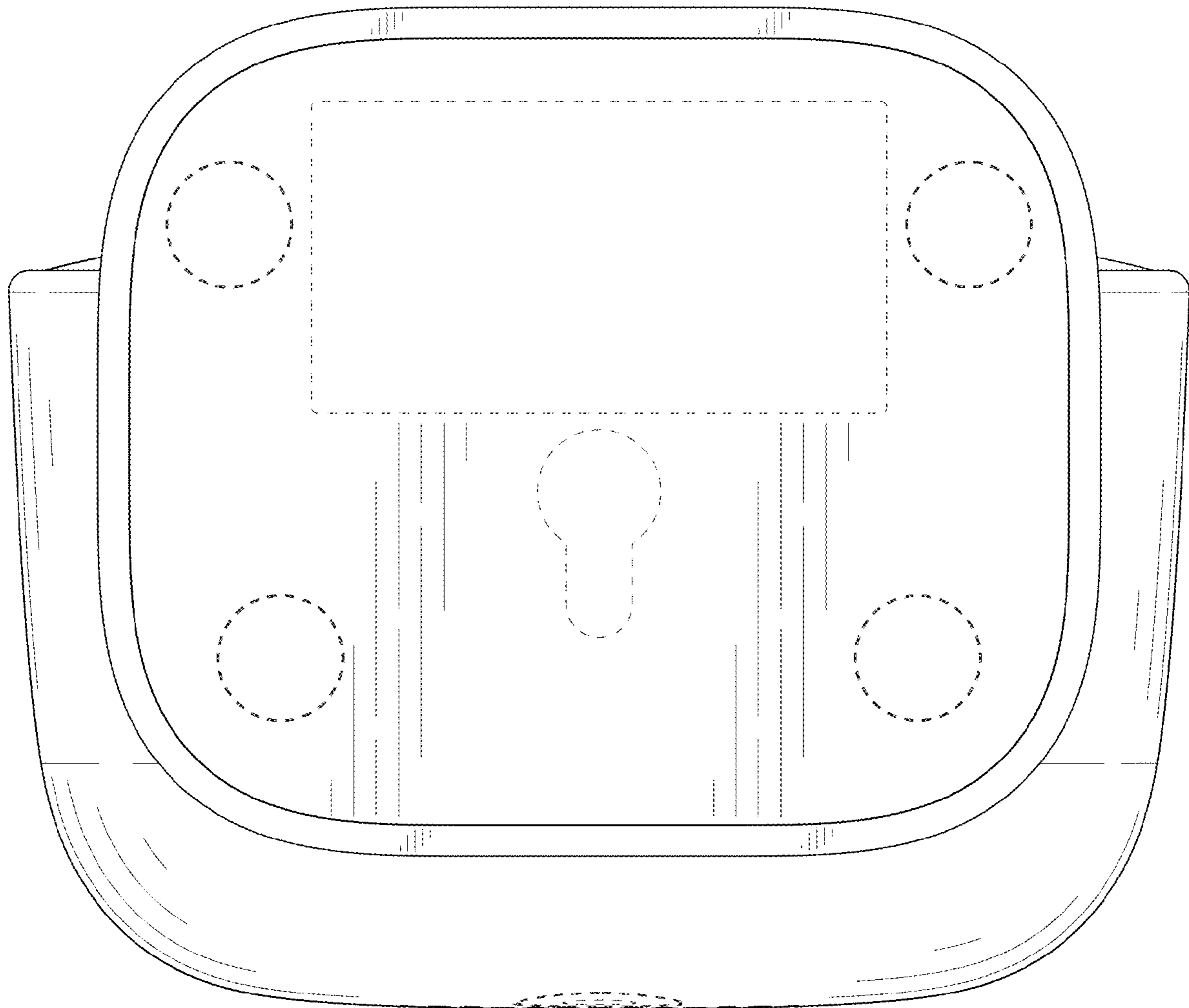


FIG. 8

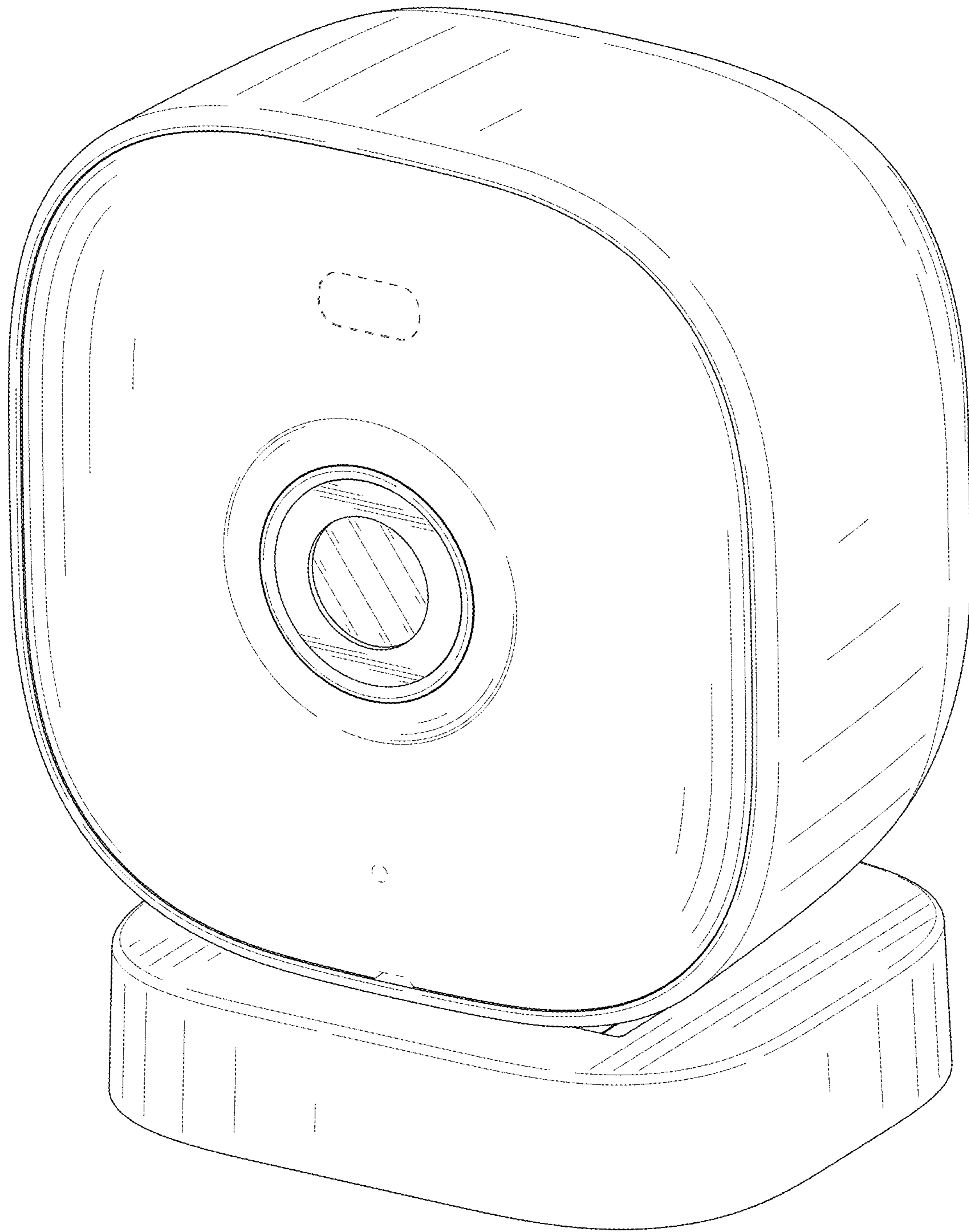


FIG. 9

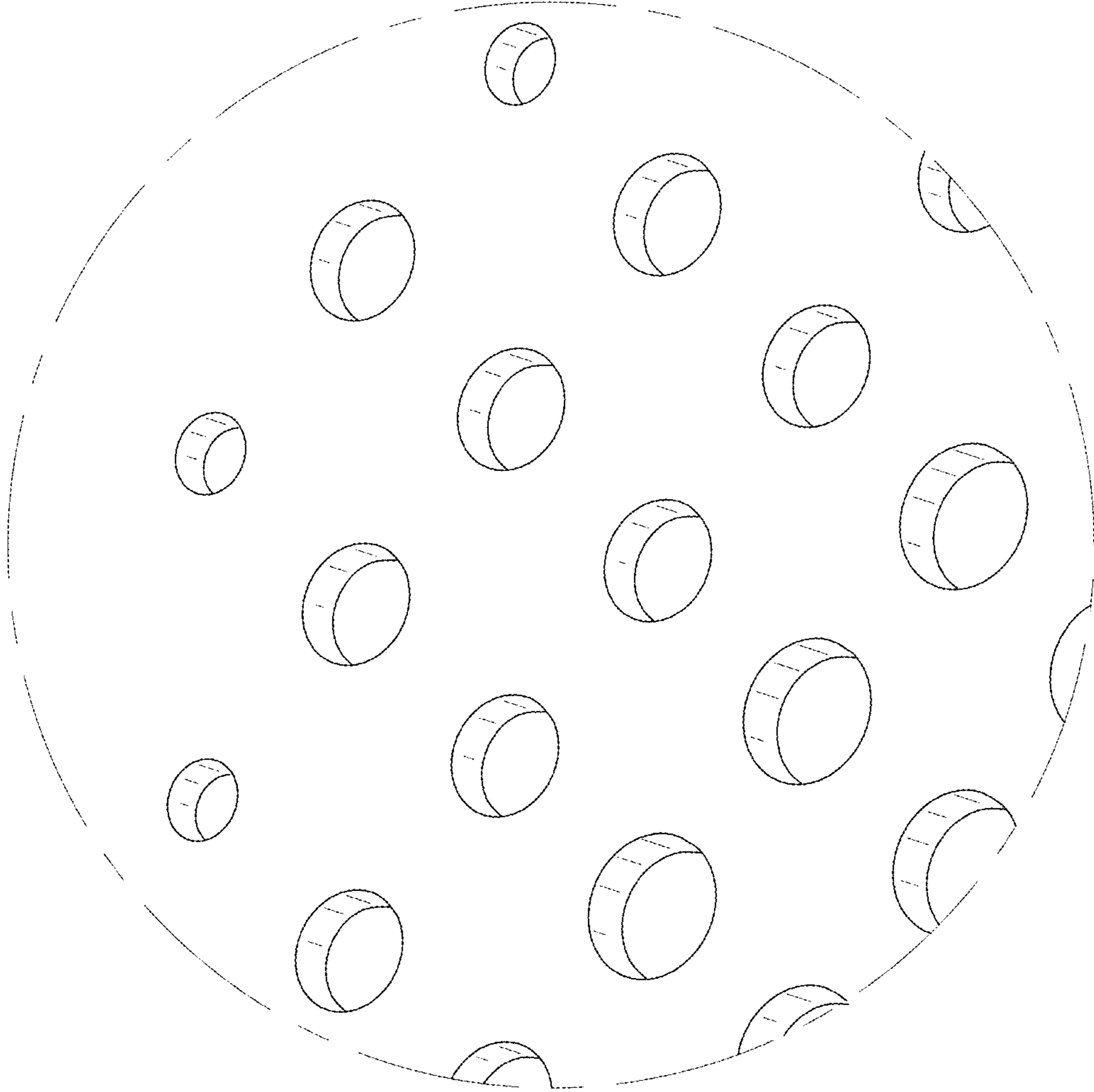


FIG. 10