



US00D971287S

(12) **United States Design Patent**  
**Chiu et al.**

(10) **Patent No.:** **US D971,287 S**

(45) **Date of Patent:** **\*\* Nov. 29, 2022**

(54) **WEBCAM**

(71) Applicant: **Microsoft Corporation**, Redmond, WA  
(US)

(72) Inventors: **Stephen Chi hung Chiu**, Kaohsiung  
(TW); **Min Fang**, Shenzhen (CN);  
**Simon Cameron Dearsley**, Bellevue,  
WA (US)

(73) Assignee: **Microsoft Corporation**, Redmond, WA  
(US)

(\*\*) Term: **15 Years**

(21) Appl. No.: **29/778,384**

(22) Filed: **Apr. 13, 2021**

(51) **LOC (13) Cl.** ..... **16-01**

(52) **U.S. Cl.**

USPC ..... **D16/202**

(58) **Field of Classification Search**

USPC ..... D16/200, 202–203, 208, 218, 219, 242;  
248/187.1; 348/14.01–14.6, 143, 148,  
348/151, 373–376; 396/419, 427, 428,  
396/535, 539–541

CPC ..... G03B 17/02; G03B 19/04; G03B 17/56;  
G03B 17/04; G03B 15/03; H04N  
2101/00; H04N 2007/145; H04N 7/141;  
H04N 7/142; H04N 7/147; H04N 7/148;  
H04N 7/15; H04N 7/152

See application file for complete search history.

(56) **References Cited**

**U.S. PATENT DOCUMENTS**

D557,310 S	12/2007	Fisher et al.
D564,004 S	3/2008	Ikeda et al.
D573,622 S	7/2008	Fisher et al.
D581,960 S	12/2008	Kim et al.
D592,233 S	5/2009	Kim et al.
D592,234 S	5/2009	Kim et al.
D595,328 S	6/2009	Kim et al.

D600,730 S \* 9/2009 Su ..... D16/202  
D606,106 S 12/2009 Kim et al.  
D624,108 S 9/2010 Wang et al.  
(Continued)

**OTHER PUBLICATIONS**

“Office Action Issued in Indian Patent Application No. 351276-001”, dated Nov. 26, 2021, 2 Pages.

(Continued)

*Primary Examiner* — Ramzi Almatrahi

(74) *Attorney, Agent, or Firm* — Banner & Witcoff, Ltd.

(57) **CLAIM**

The ornamental design for a webcam, as shown and described.

**DESCRIPTION**

FIG. 1 is a front perspective view of a webcam showing our new design;

FIG. 2 is a front view thereof;

FIG. 3 is a rear view thereof;

FIG. 4 is a right side view thereof;

FIG. 5 is a left side view thereof;

FIG. 6 is a top view thereof;

FIG. 7 is a bottom view thereof;

FIG. 8 is a rear perspective view thereof;

FIG. 9 is a front perspective view thereof, shown with the webcam cover in a closed position;

FIG. 10 is a front view thereof;

FIG. 11 is a rear view thereof;

FIG. 12 is a right side view thereof;

FIG. 13 is a left side view thereof;

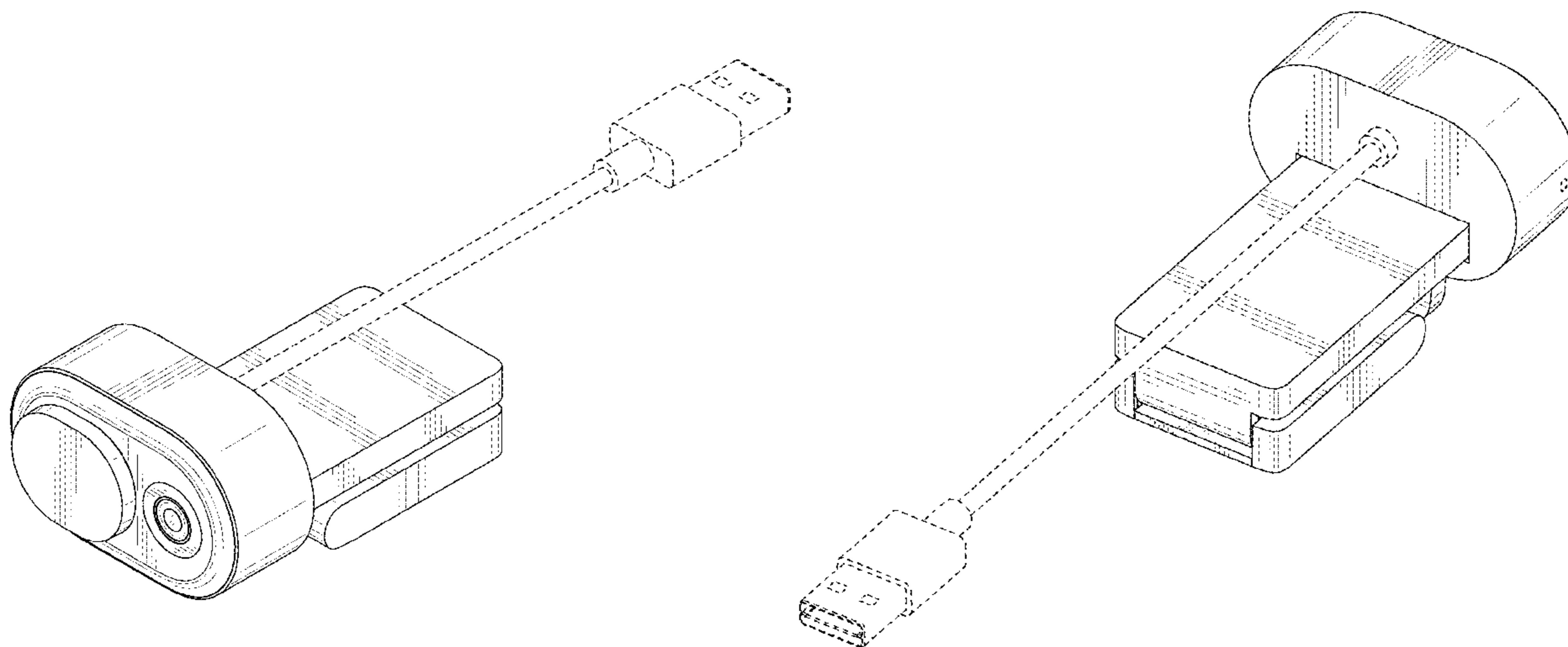
FIG. 14 is a top view thereof;

FIG. 15 is a bottom view thereof; and,

FIG. 16 is a rear perspective view thereof.

The broken lines depict portions of the webcam in which the design is embodied that form no part of the claimed design.

**1 Claim, 12 Drawing Sheets**



(56)

**References Cited**

U.S. PATENT DOCUMENTS

D641,388	S	*	7/2011	Shih	.....	D16/202
D641,770	S	*	7/2011	Hoehn	.....	D16/202
D647,933	S		11/2011	Raken et al.		
D651,229	S	*	12/2011	Tan	.....	D16/202
D651,230	S	*	12/2011	Tan	.....	D16/202
D665,439	S	*	8/2012	Khamsepoor	.....	D16/202
D680,144	S	*	4/2013	Tsai	.....	D16/202
D709,117	S	*	7/2014	Gan	.....	D16/202
D775,679	S	*	1/2017	Klein	.....	D16/202
D849,089	S	*	5/2019	Lu	.....	D16/202
D870,790	S	*	12/2019	Depay	.....	D16/202
D892,904	S		8/2020	Dearsley et al.		
D893,577	S		8/2020	Dearsley et al.		
D901,570	S	*	11/2020	Hao	.....	D16/202
D924,300	S	*	7/2021	Zhao	.....	D16/202

OTHER PUBLICATIONS

“Notice of Allowance Issued in Korean Patent Application No. 30-2021-0048149”, dated May 20, 2022, 3 Pages.

\* cited by examiner

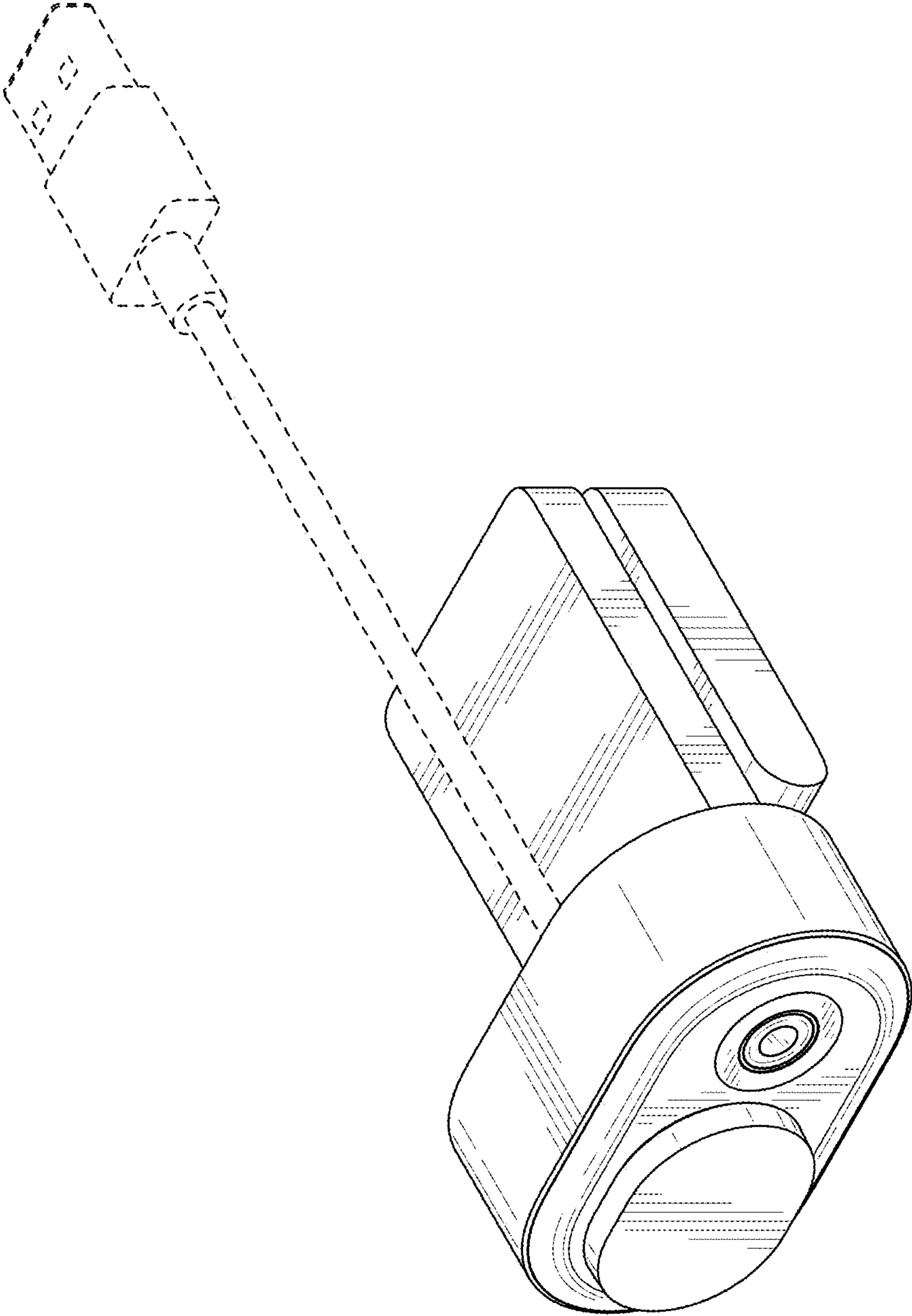


FIG. 1

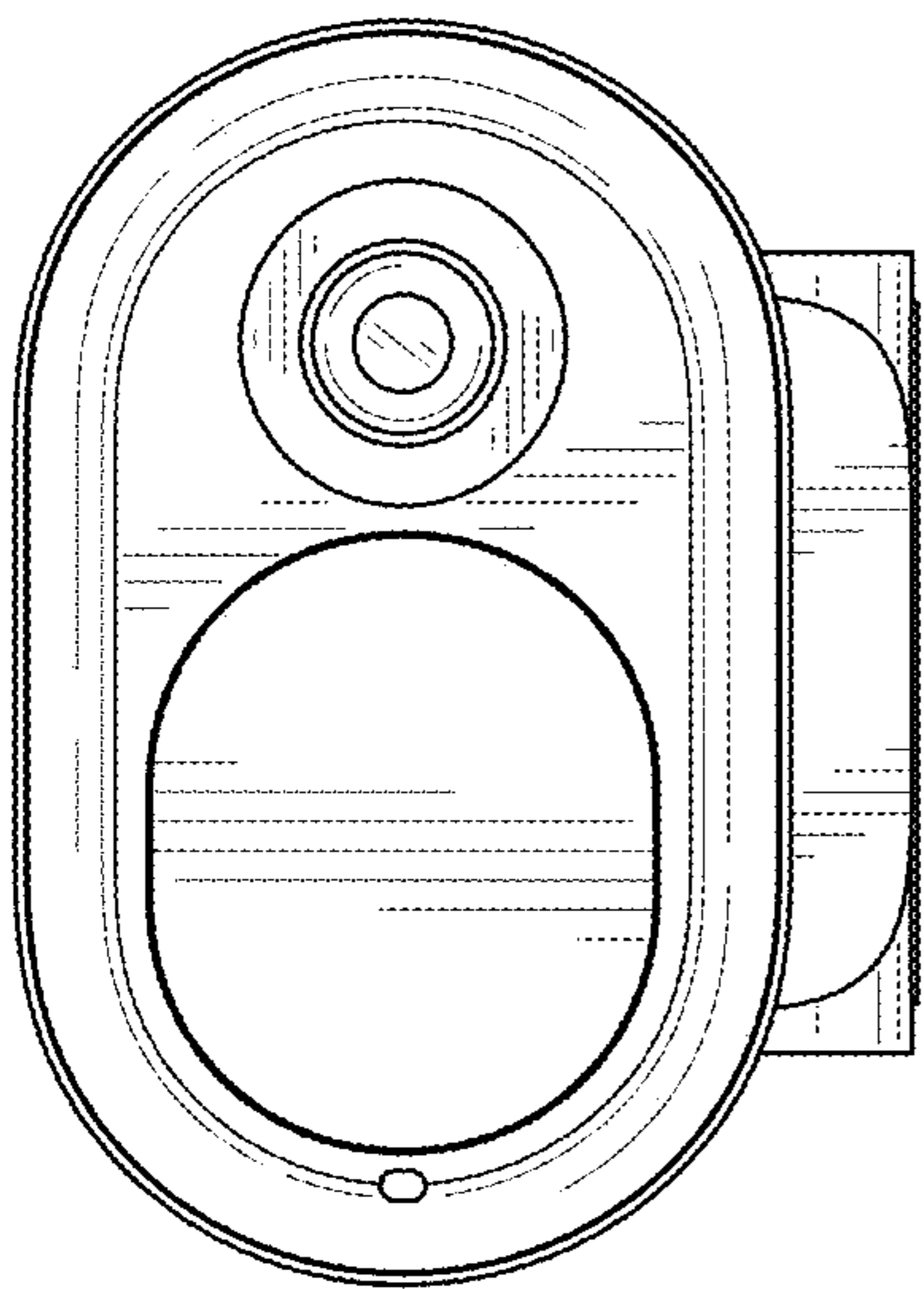


FIG. 2

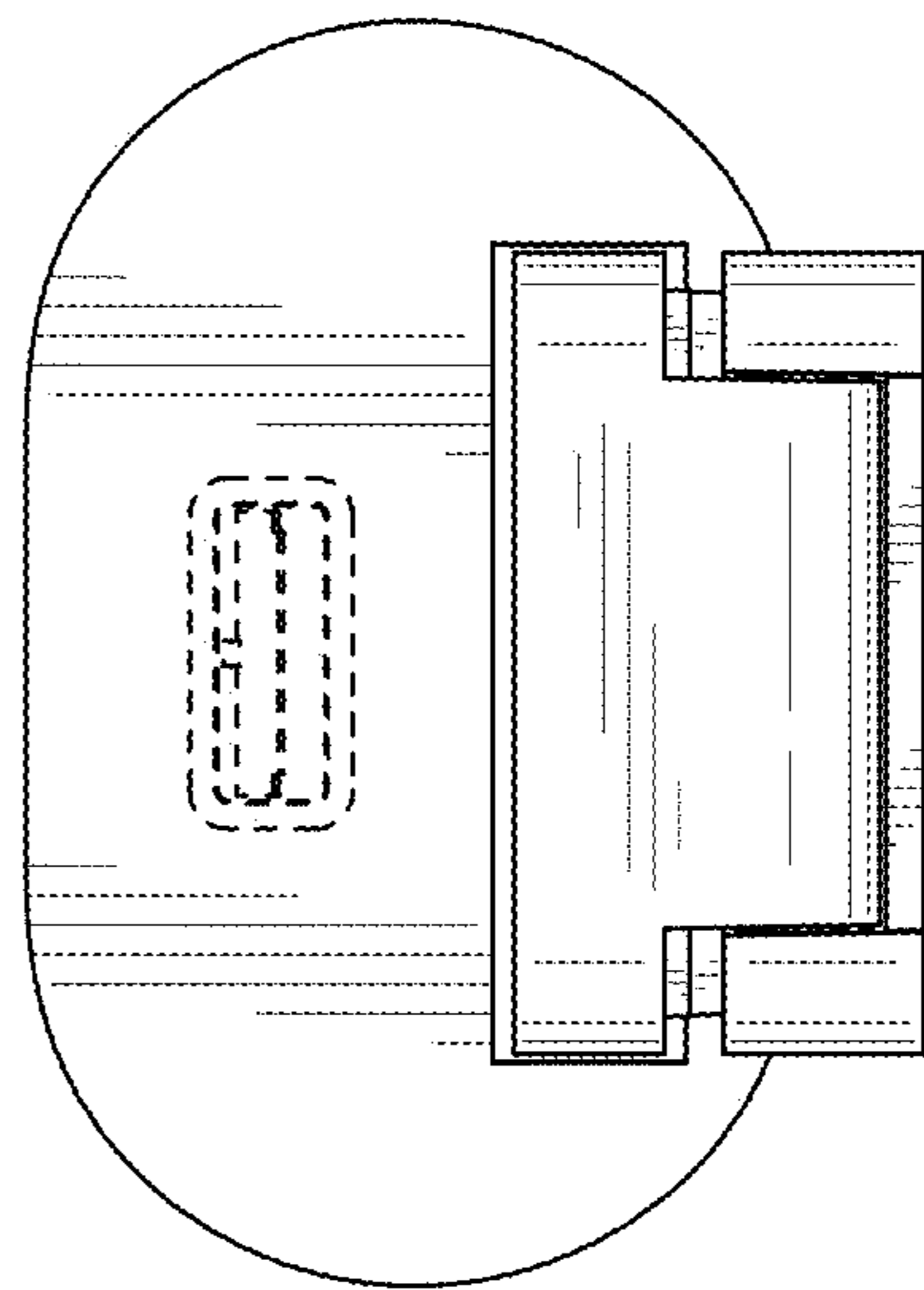


FIG. 3

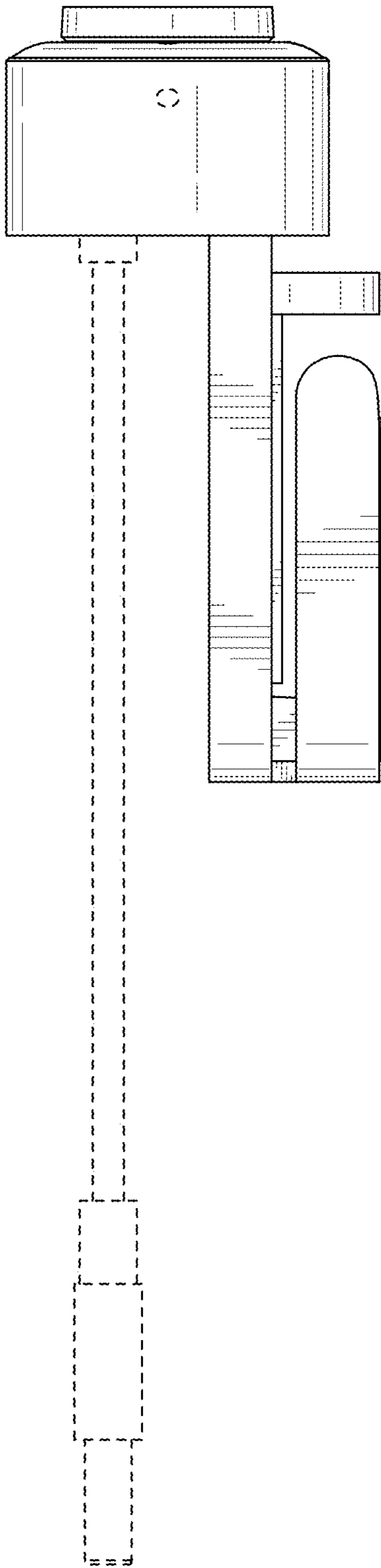


FIG. 4

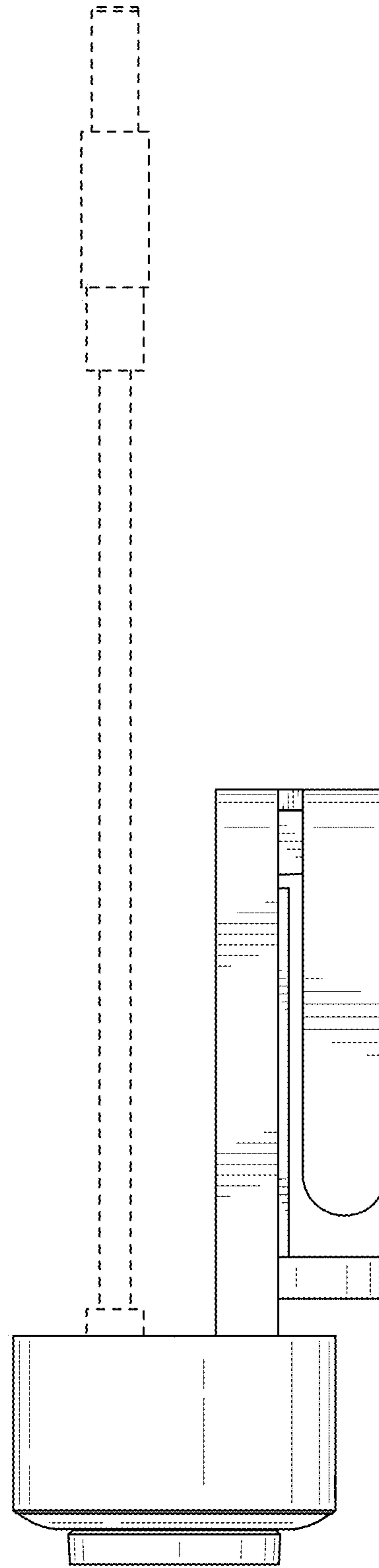


FIG. 5

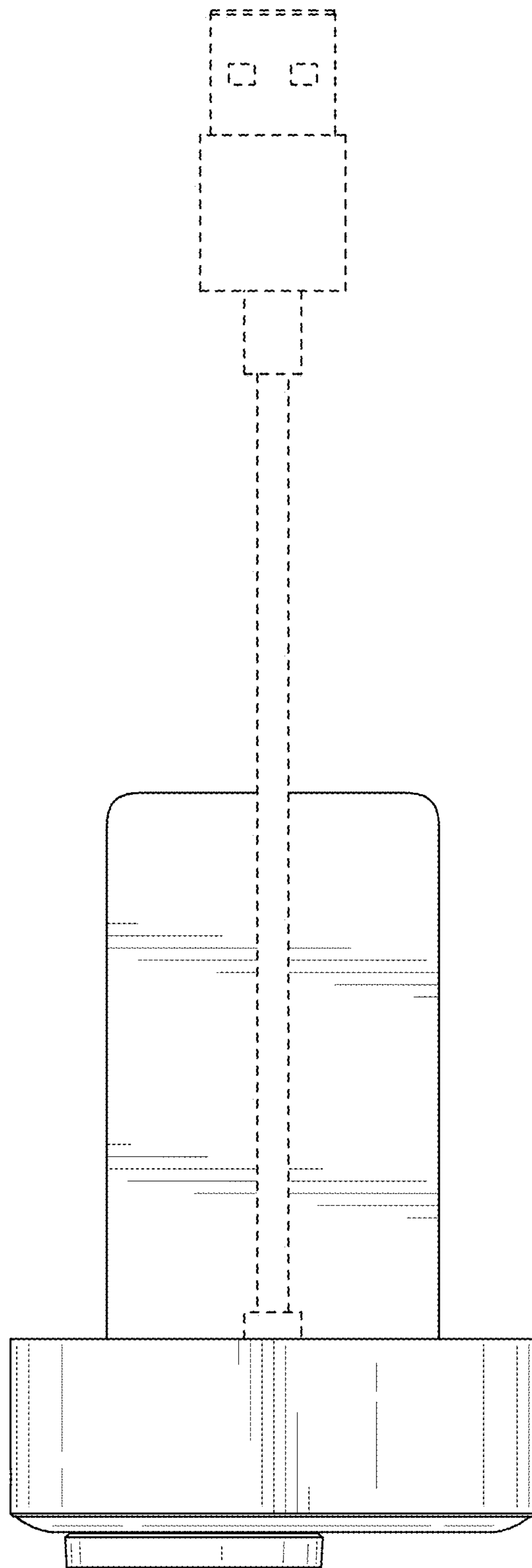


FIG. 6

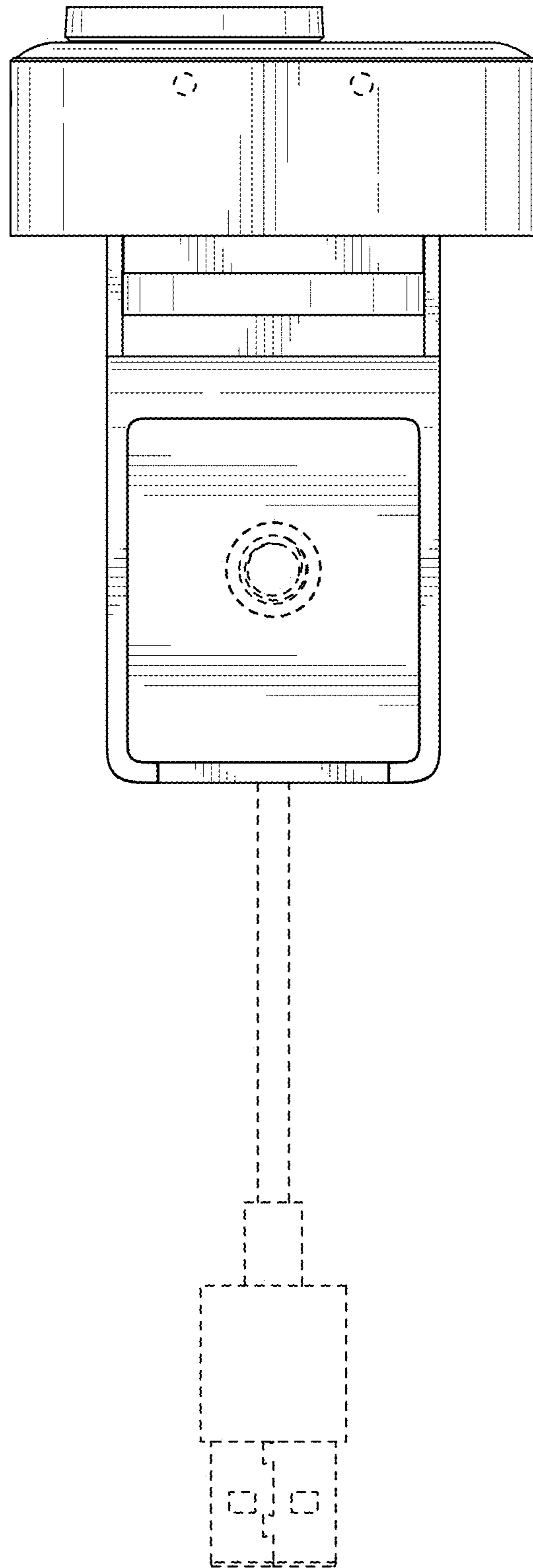


FIG. 7

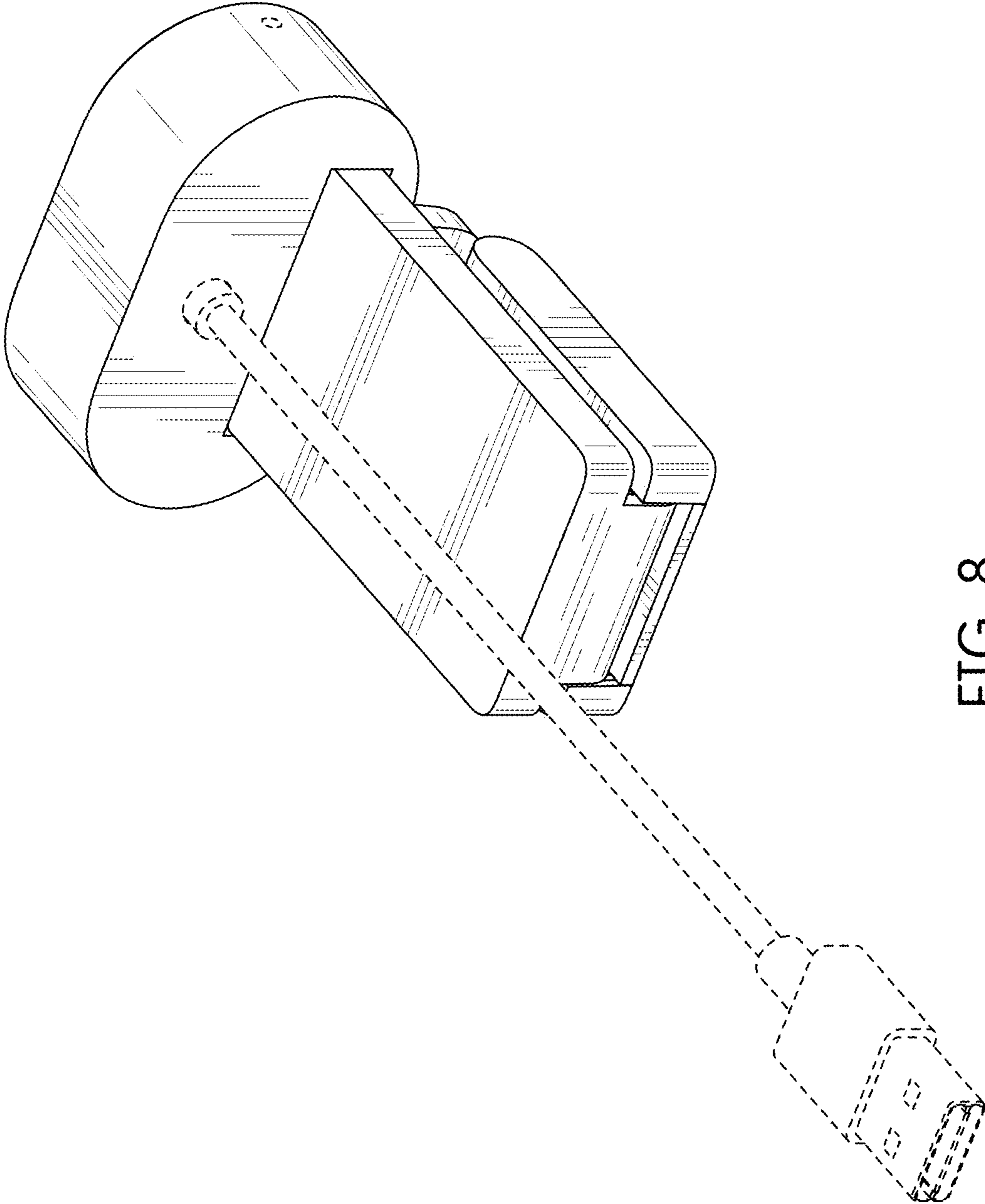


FIG. 8



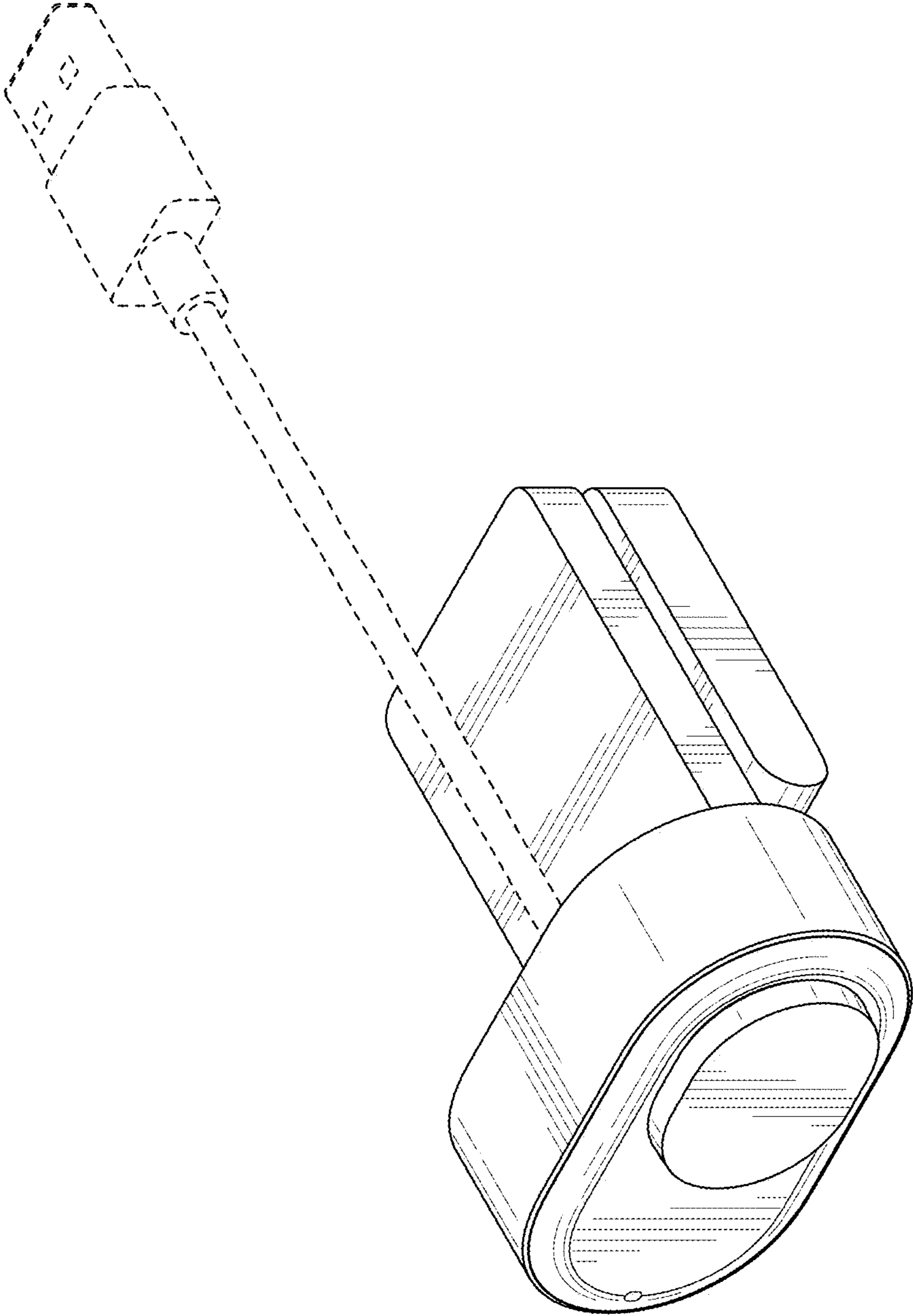


FIG. 9

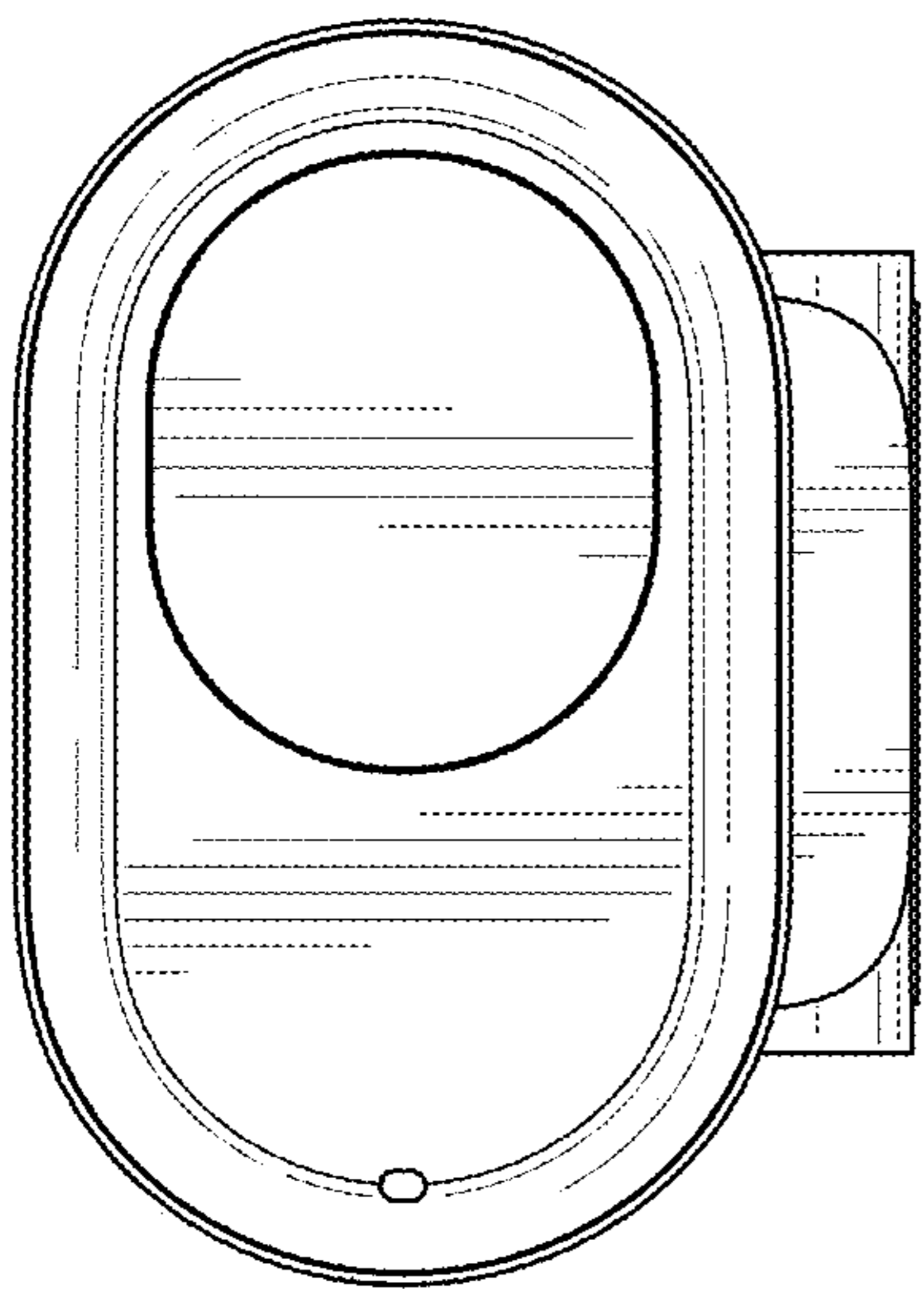


FIG. 10

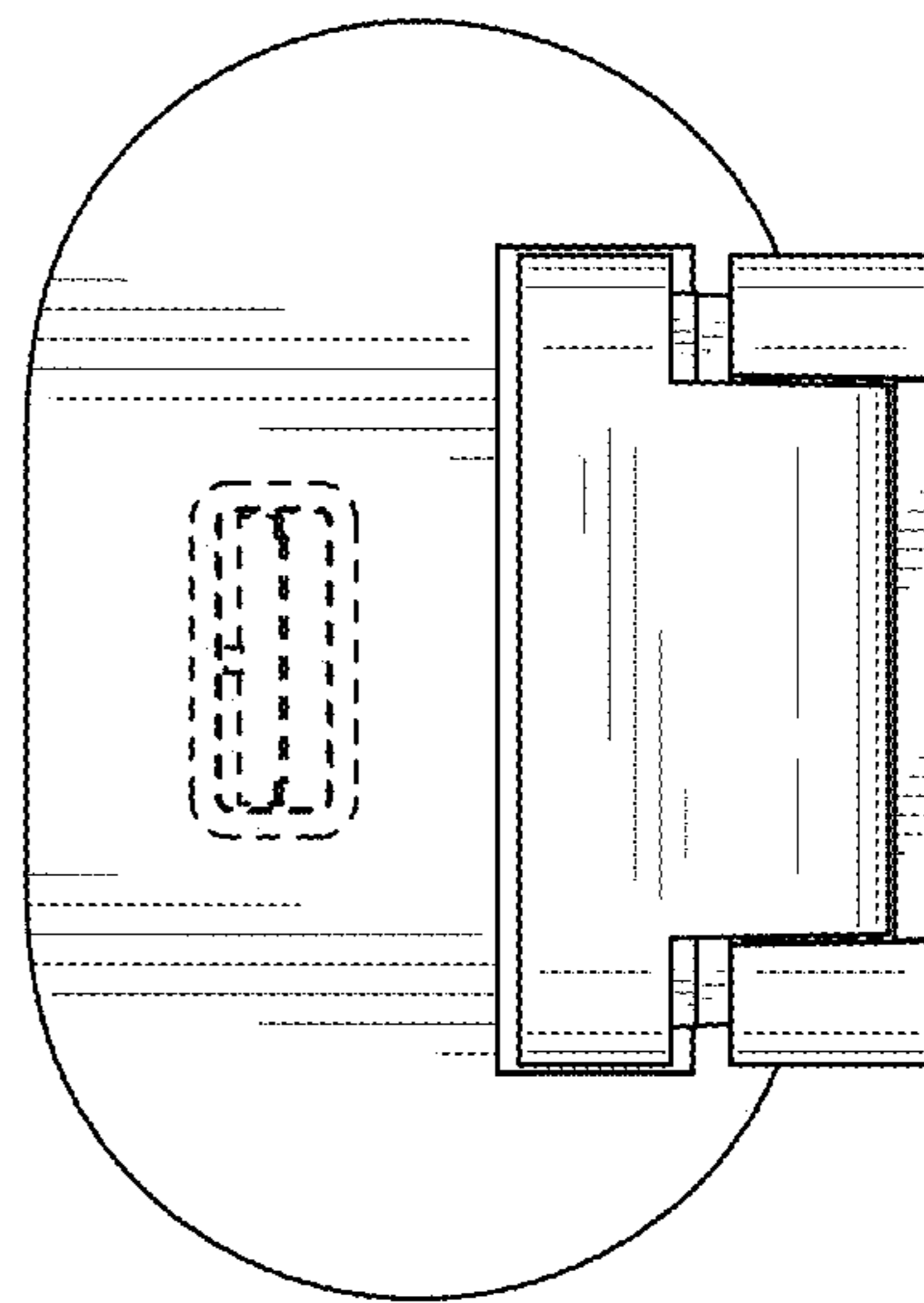


FIG. 11

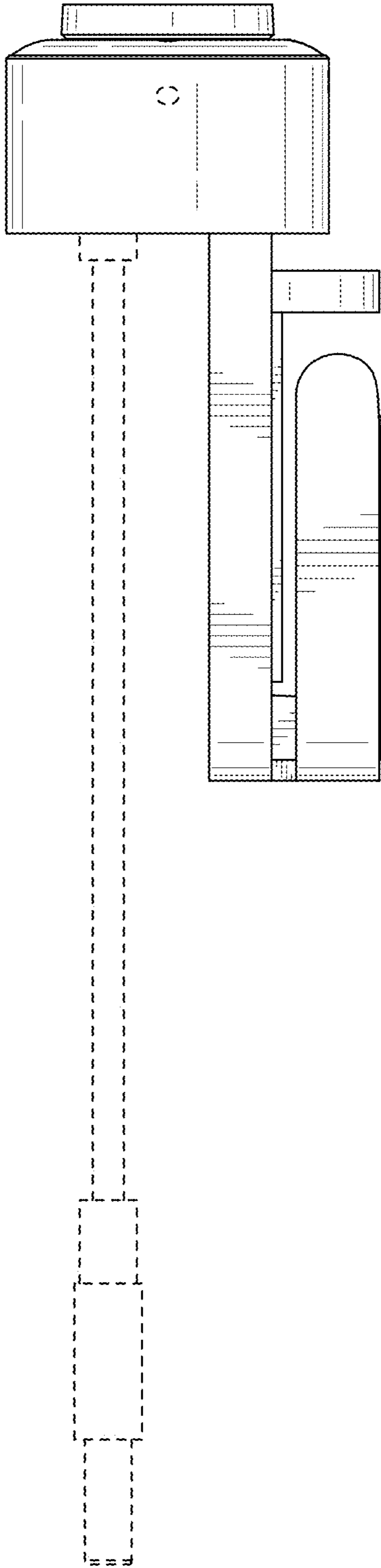


FIG. 12

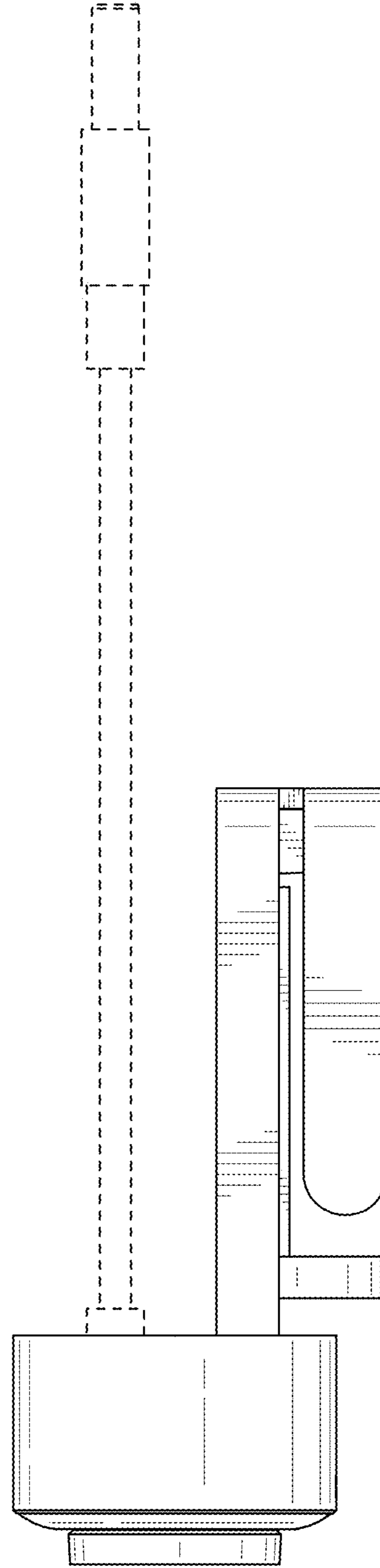


FIG. 13

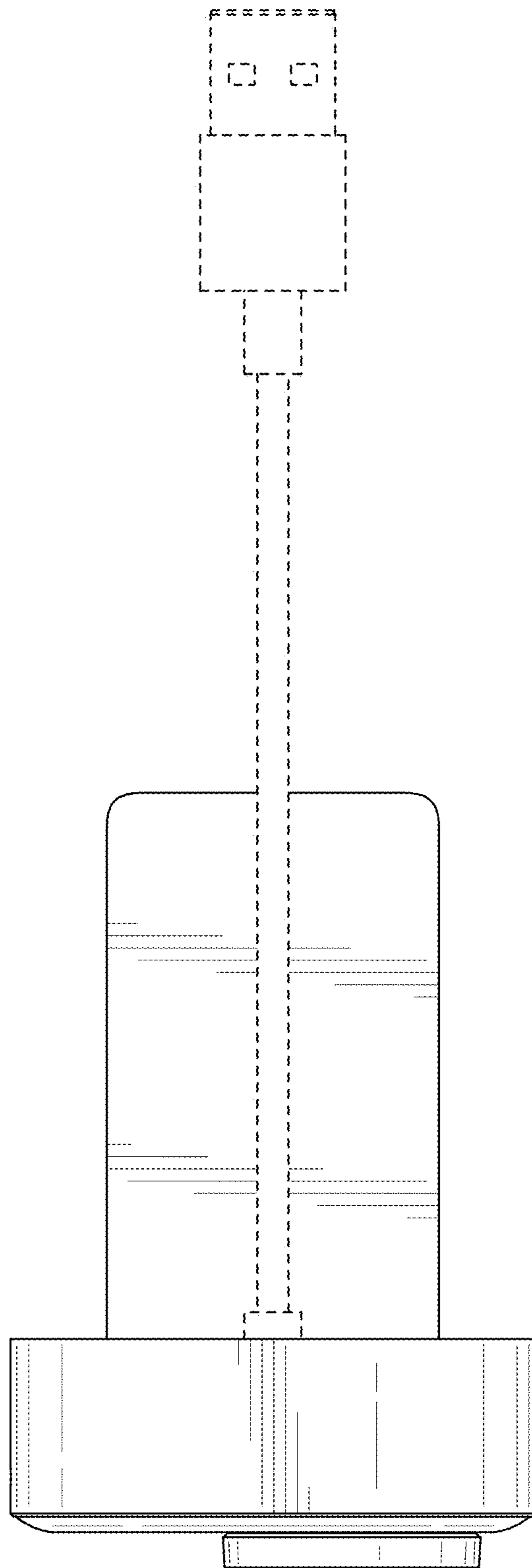


FIG. 14

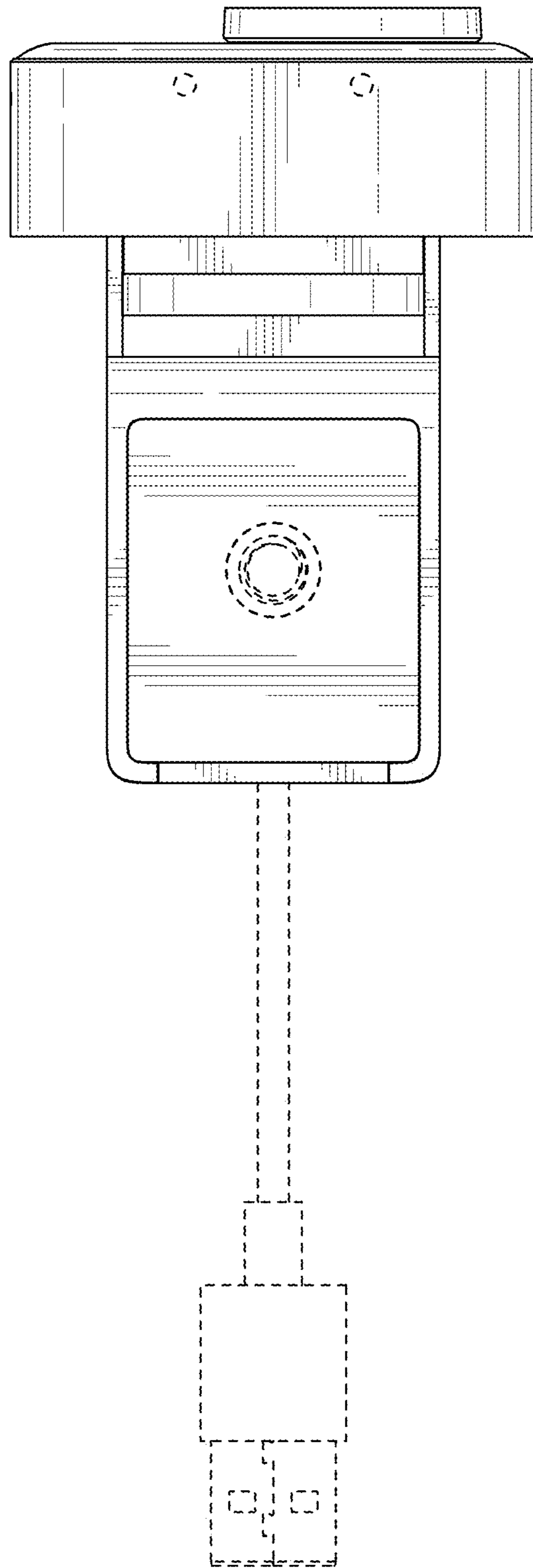


FIG. 15

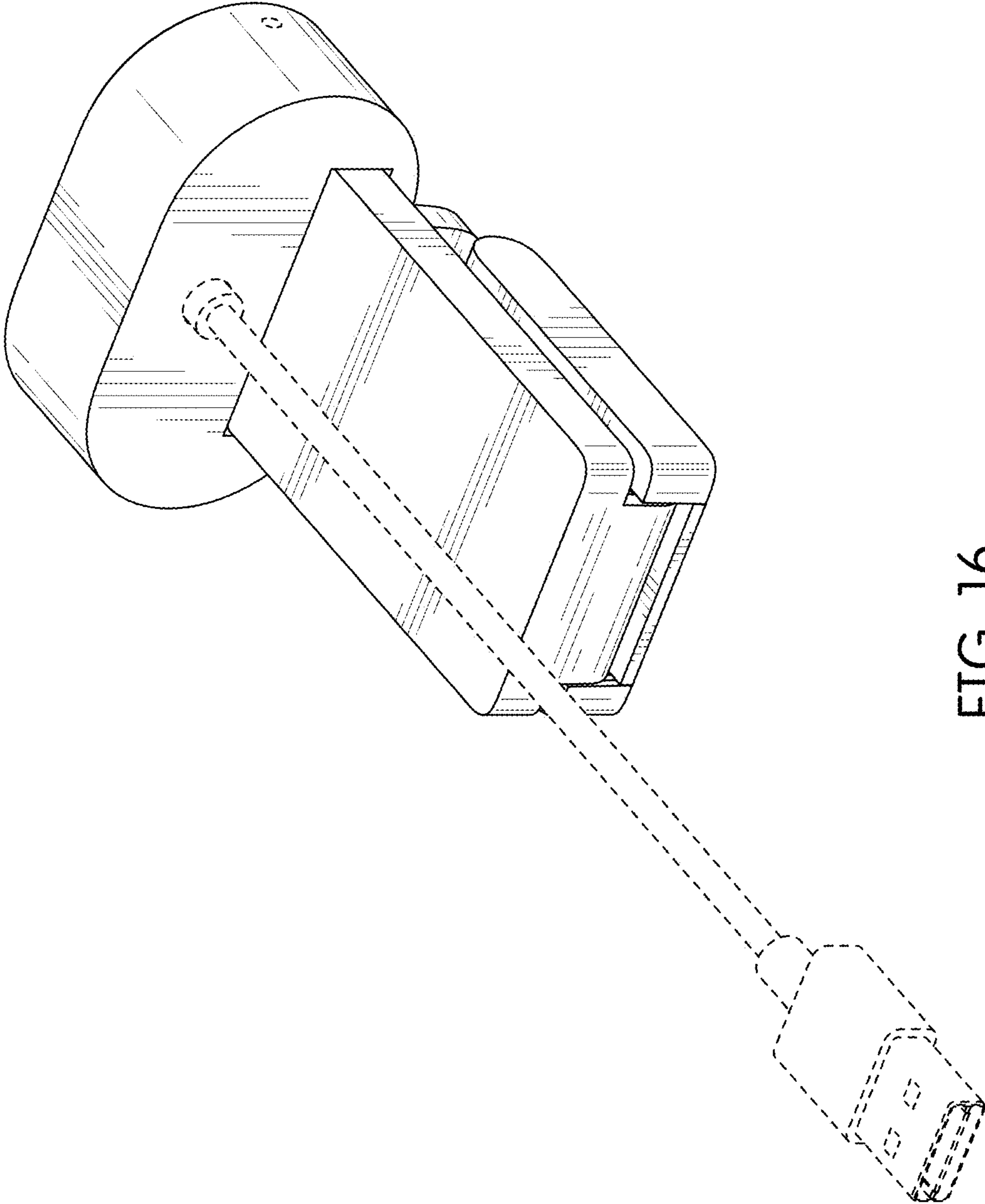


FIG. 16