



US00D971284S

(12) **United States Design Patent**  
**Zell et al.**

(10) **Patent No.:** **US D971,284 S**

(45) **Date of Patent:** **\*\* Nov. 29, 2022**

(54) **OPERATING-MODE SELECTING ASSEMBLY OF READER UNIT, SELECTOR, AND KEY**

(71) Applicant: **PILZ GMBH & CO. KG**, Ostfildern (DE)

(72) Inventors: **Christoph Zell**, Ostfildern (DE); **Daniel Schurr**, Ostfildern (DE); **Juergen Fleiner**, Ostfildern (DE); **Peter Schuster**, Ostfildern (DE); **Lydia Wegerer**, Ostfildern (DE); **Lothar Merz**, Ostfildern (DE); **Georg Kunz**, Ostfildern (DE); **Hannah Katzler**, Ostfildern (DE)

(73) Assignee: **PILZ GMBH & CO. KG**, Ostfildern (DE)

(\*\*) Term: **15 Years**

(21) Appl. No.: **29/725,915**

(22) Filed: **Feb. 27, 2020**

(30) **Foreign Application Priority Data**

Aug. 27, 2019 (DE) ..... 40 2019 100 919.1

(51) **LOC (13) Cl.** ..... **15-99**

(52) **U.S. Cl.**  
USPC ..... **D15/199**; D13/162.1; D14/383

(58) **Field of Classification Search**  
USPC ..... D14/356, 357, 358, 388, 218, 454, 299, D14/496, 400, 401, 203.1, 203.3, 203.6, D14/432, 420, 421, 453, 344, 137, 138 R, D14/155, 168, 383; D10/46, 65, 70, 74, D10/75, 80, 104.1, 104.2, 106.6, 114.1, D10/114.2, 114.3, 114.9, 121; D24/165, D24/167, 168, 186; D12/317, 174, 177; D3/215, 218; D13/123, 158, 162, 162.1, D13/168, 173, 174, 177; D8/347; D15/138, 199

CPC ..... G07C 2009/00174; G07C 2009/00761; G07C 2009/00944; G07C 2009/00952; G07C 2009/0096; G07C 2009/00984; G07C 2009/00992; G07C 2009/00301;

(Continued)

(56) **References Cited**

U.S. PATENT DOCUMENTS

D210,284 S \* 2/1968 Kerwin ..... D15/199  
D217,253 S \* 4/1970 Daggart ..... D13/171  
D243,960 S \* 4/1977 Roch ..... D15/138

(Continued)

OTHER PUBLICATIONS

Das Universaltalent—Electronic-Key-System EKS, Euchner GmbH + Co. KG; May 31, 2017; 8 pages.

*Primary Examiner* — Marie D. Fast Horse

(74) *Attorney, Agent, or Firm* — Harness, Dickey & Pierce, P.L.C.

(57) **CLAIM**

The ornamental design for an operating-mode selecting assembly of a reader unit, selector, and key, as shown and described.

**DESCRIPTION**

FIG. 1 is a perspective view of an operating-mode selecting assembly of reader unit, selector, and key showing our new design;

FIG. 2 is an enlarged front view thereof;

FIG. 3 is an enlarged rear view thereof;

FIG. 4 is a right side view thereof;

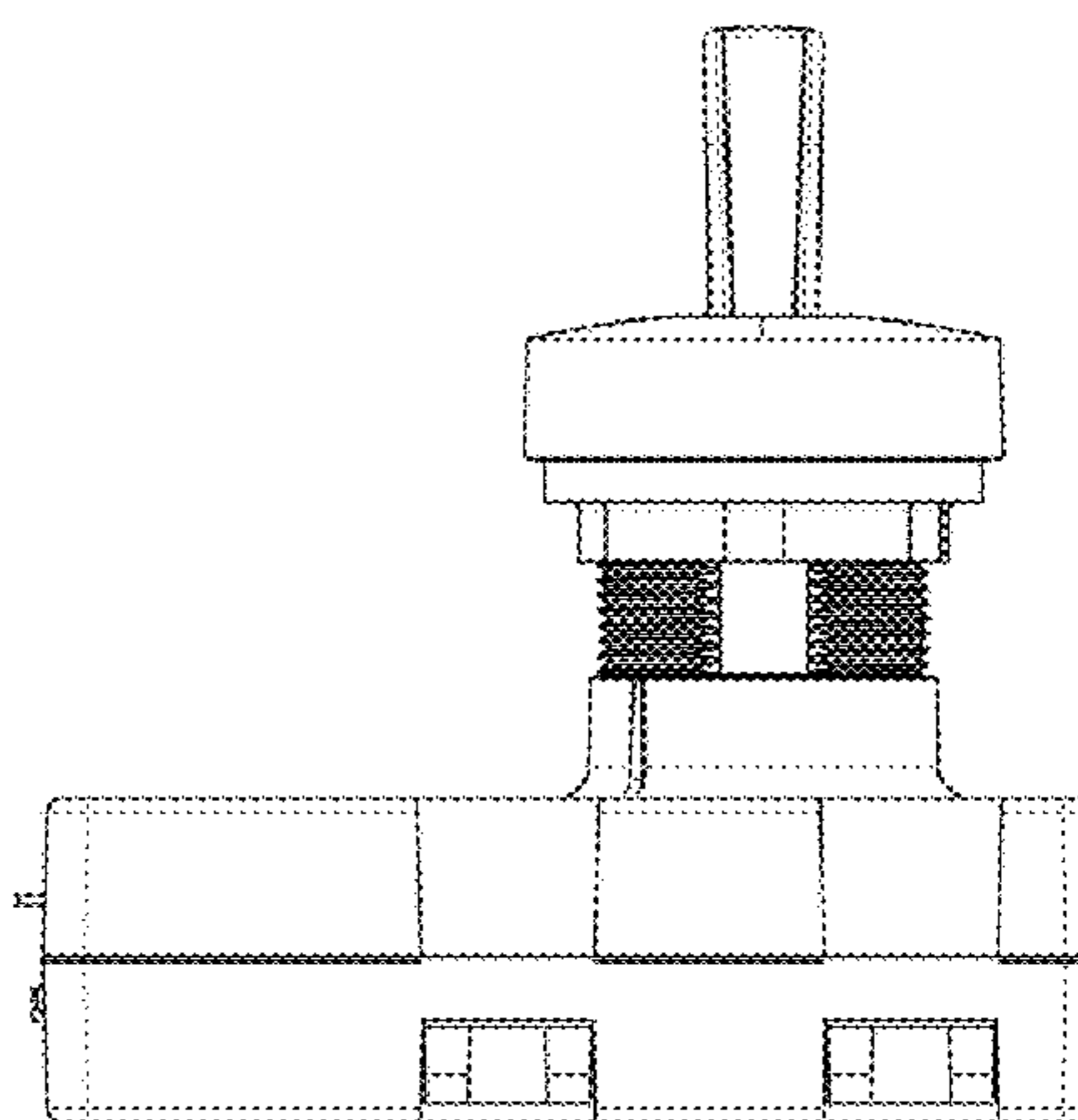
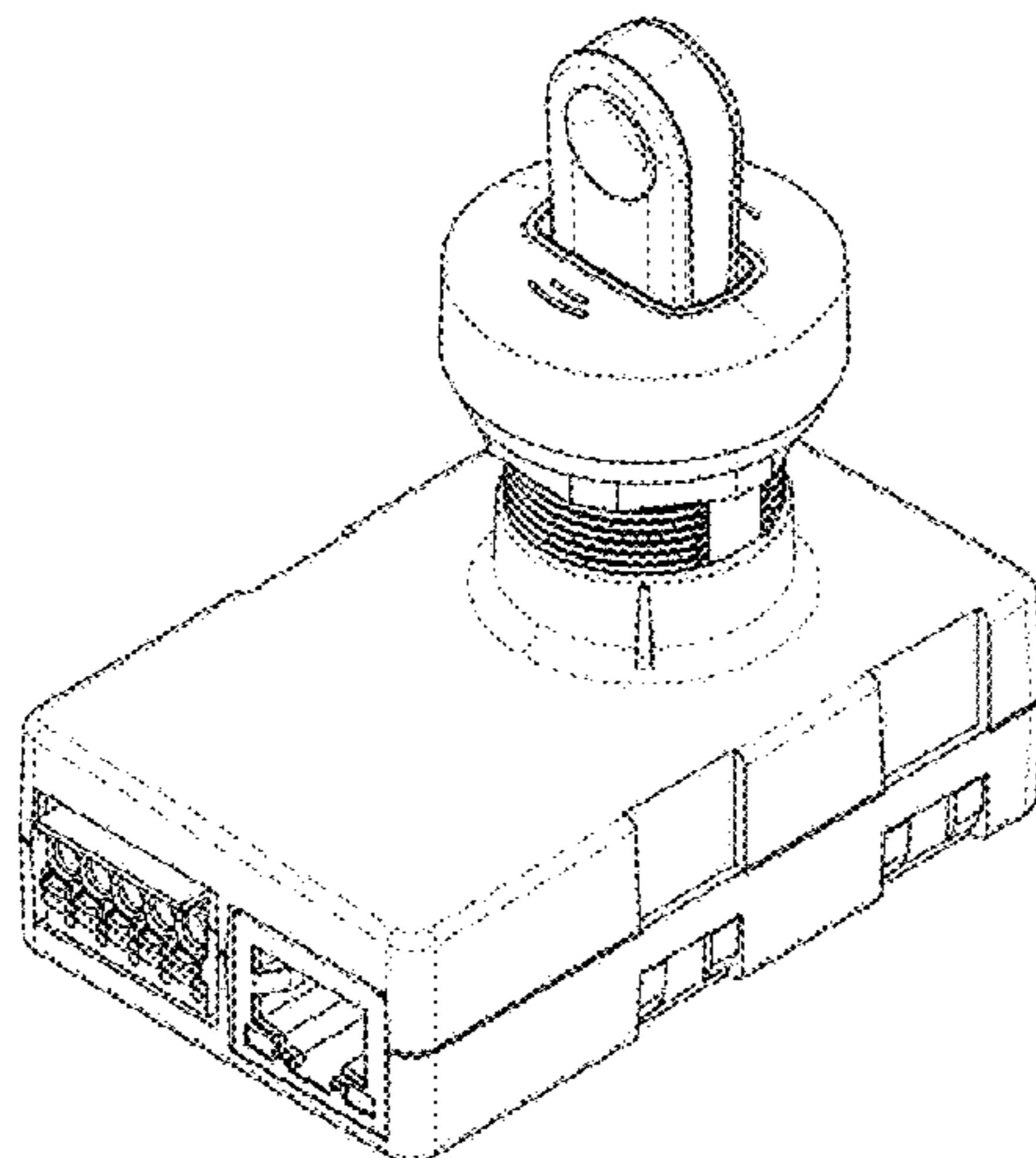
FIG. 5 is a left side view thereof;

FIG. 6 is an enlarged top view thereof; and,

FIG. 7 is an enlarged bottom view thereof.

The broken lines in the figures are for the purpose of illustrating portions of the operating-mode selecting assembly of reader unit, selector, and key that form no part of the claimed design.

**1 Claim, 7 Drawing Sheets**



(58) **Field of Classification Search**  
 CPC ..... G07C 9/00857; E05B 49/00; G06K 7/00;  
 G06K 9/00; H03K 17/00  
 See application file for complete search history.

(56) **References Cited**

U.S. PATENT DOCUMENTS

D300,528 S \* 4/1989 Drane ..... D13/171  
 D317,005 S \* 5/1991 Wickrema ..... D14/358  
 D331,060 S \* 11/1992 Emmons ..... D14/218  
 D337,993 S \* 8/1993 Garthwaite ..... D13/184  
 D357,906 S \* 5/1995 Fukushima ..... D14/358  
 D371,793 S \* 7/1996 Patton ..... D14/218  
 D391,943 S \* 3/1998 Han ..... D14/356  
 D414,476 S \* 9/1999 Hibino ..... D14/358  
 5,982,888 A \* 11/1999 Luckeneder ..... G07C 9/00857  
 380/52  
 D453,329 S \* 2/2002 Muramatsu ..... D14/230  
 D461,701 S \* 8/2002 Kang ..... D8/347  
 D464,630 S \* 10/2002 Woodworth ..... D13/171  
 D467,892 S \* 12/2002 Lewis ..... D14/203.6  
 D469,411 S \* 1/2003 Decosse ..... D13/171  
 D479,254 S \* 9/2003 Kalen ..... D15/199  
 D497,882 S \* 11/2004 Huang ..... D13/168  
 D515,580 S \* 2/2006 Boswell ..... D14/412  
 D516,073 S \* 2/2006 Boswell ..... D14/399  
 D518,030 S \* 3/2006 Lin ..... D14/218  
 D525,586 S \* 7/2006 Blake ..... D13/162  
 D550,297 S \* 9/2007 Luciano, Jr. .... D13/171  
 D550,299 S \* 9/2007 Luciano, Jr. .... D13/171  
 D550,303 S \* 9/2007 Luciano, Jr. .... D13/174  
 D550,305 S \* 9/2007 Luciano, Jr. .... D13/174  
 D555,605 S \* 11/2007 Parnell ..... D13/171  
 D556,198 S \* 11/2007 Blankenship ..... D14/480.5  
 D556,268 S \* 11/2007 Luciano, Jr. .... D13/171  
 D568,304 S \* 5/2008 Park ..... D14/357  
 D576,562 S \* 9/2008 Kaluza ..... D13/162  
 D579,318 S \* 10/2008 Davis ..... D8/347  
 D589,044 S \* 3/2009 Yoshida ..... D14/358  
 D607,852 S \* 1/2010 Riede ..... D13/174  
 D610,097 S \* 2/2010 Gandini ..... D13/171  
 D619,117 S \* 7/2010 Unruh ..... D14/203.6  
 D632,265 S \* 2/2011 Choi ..... D13/168  
 D633,447 S \* 3/2011 Schaal ..... D13/168  
 D635,841 S \* 4/2011 Lindley ..... D8/347  
 D644,209 S \* 8/2011 Nardin ..... D14/218  
 D659,093 S \* 5/2012 Schmid ..... D13/108  
 D659,652 S \* 5/2012 Wong ..... D13/162.1  
 D683,251 S \* 5/2013 Dumas ..... D10/104.2  
 D689,827 S \* 9/2013 Mayer ..... D13/171  
 D692,397 S \* 10/2013 Liu ..... D13/162.1  
 D708,611 S \* 7/2014 Burmeister-Brown ..... D14/356  
 D708,974 S \* 7/2014 Dauwalter, III ..... D10/104.1  
 D716,803 S \* 11/2014 Neumann ..... D14/358  
 D716,804 S \* 11/2014 Neumann ..... D14/356  
 D725,098 S \* 3/2015 Neumann ..... D14/358  
 D725,099 S \* 3/2015 Neumann ..... D14/358  
 D729,179 S \* 5/2015 Cheung ..... D13/171  
 D732,530 S \* 6/2015 Hermansson ..... D14/358  
 D739,359 S \* 9/2015 Creasman ..... D13/165

D749,666 S \* 2/2016 Ahdoot ..... D14/218  
 D760,221 S \* 6/2016 Maruyama ..... D14/357  
 D764,460 S \* 8/2016 Veja ..... D14/358  
 D767,510 S \* 9/2016 Zheng ..... D13/168  
 D767,568 S \* 9/2016 McWilliam ..... D14/358  
 D768,746 S \* 10/2016 Liu ..... D15/199  
 D776,113 S \* 1/2017 Bierach ..... D14/383  
 D782,987 S \* 4/2017 Gassner ..... D13/171  
 D784,287 S \* 4/2017 Murray ..... D14/168  
 D788,046 S \* 5/2017 Oksengendler ..... D13/162  
 D788,776 S \* 6/2017 Marzette, Jr. .... D14/358  
 D794,577 S \* 8/2017 Hoffknecht ..... D13/162  
 D794,578 S \* 8/2017 Oksengendler ..... D13/162  
 D803,280 S \* 11/2017 Suzuki ..... D15/138  
 D803,281 S \* 11/2017 Suzuki ..... D15/138  
 D803,911 S \* 11/2017 Suzuki ..... D15/138  
 D804,533 S \* 12/2017 Mangum ..... D14/496  
 D805,040 S \* 12/2017 Oksengendler ..... D13/162  
 D806,042 S \* 12/2017 Oksengendler ..... D13/162  
 D812,054 S \* 3/2018 Bierach ..... D14/383  
 D814,425 S \* 4/2018 Stray ..... D13/162.1  
 D815,967 S \* 4/2018 Ramasarma ..... D10/104.1  
 D815,968 S \* 4/2018 Ramasarma ..... D10/104.1  
 D815,969 S \* 4/2018 Ramasarma ..... D10/104.1  
 D816,047 S \* 4/2018 Stray ..... D13/162.1  
 D829,714 S \* 10/2018 Robinson ..... D14/356  
 D830,358 S \* 10/2018 Wietzke ..... D14/358  
 D831,646 S \* 10/2018 Kusano ..... D14/358  
 D832,796 S \* 11/2018 Seidl ..... D13/162  
 D832,797 S \* 11/2018 Seidl ..... D13/162  
 D832,798 S \* 11/2018 Seidl ..... D13/162  
 D832,801 S \* 11/2018 Dorn ..... D13/174  
 D833,403 S \* 11/2018 Seidl ..... D13/162  
 D838,678 S \* 1/2019 Seidl ..... D13/171  
 D838,679 S \* 1/2019 Seidl ..... D13/171  
 D839,715 S \* 2/2019 Osumi ..... D8/347  
 D839,843 S \* 2/2019 Seidl ..... D13/162  
 D849,004 S \* 5/2019 Bierach ..... D14/383  
 D849,005 S \* 5/2019 Bierach ..... D14/383  
 D857,636 S \* 8/2019 Ueda ..... D13/162.1  
 D858,463 S \* 9/2019 Nien ..... D13/168  
 D860,958 S \* 9/2019 Lewis ..... D13/184  
 D868,006 S \* 11/2019 Ueda ..... D13/162.1  
 D881,677 S \* 4/2020 Weiland ..... D8/347  
 D882,533 S \* 4/2020 Fujino ..... D13/174  
 D882,534 S \* 4/2020 Fujino ..... D13/174  
 D883,239 S \* 5/2020 Fujino ..... D13/174  
 D885,163 S \* 5/2020 Lofberg ..... D8/347  
 D885,355 S \* 5/2020 Fujino ..... D13/174  
 D886,750 S \* 6/2020 Andersson ..... D13/174  
 D887,376 S \* 6/2020 Andersson ..... D13/174  
 D889,288 S \* 7/2020 Lange ..... D10/70  
 D895,465 S \* 9/2020 Loew ..... D10/106.6  
 D900,812 S \* 11/2020 Friedman ..... D14/357  
 D910,598 S \* 2/2021 Kass ..... G06F 1/1656  
 D914,016 S \* 3/2021 Steffen ..... D14/218  
 D930,600 S \* 9/2021 Zhuang ..... D13/171  
 D934,092 S \* 10/2021 Luebeck ..... D10/104.1  
 D939,926 S \* 1/2022 Lofberg ..... D8/347

\* cited by examiner

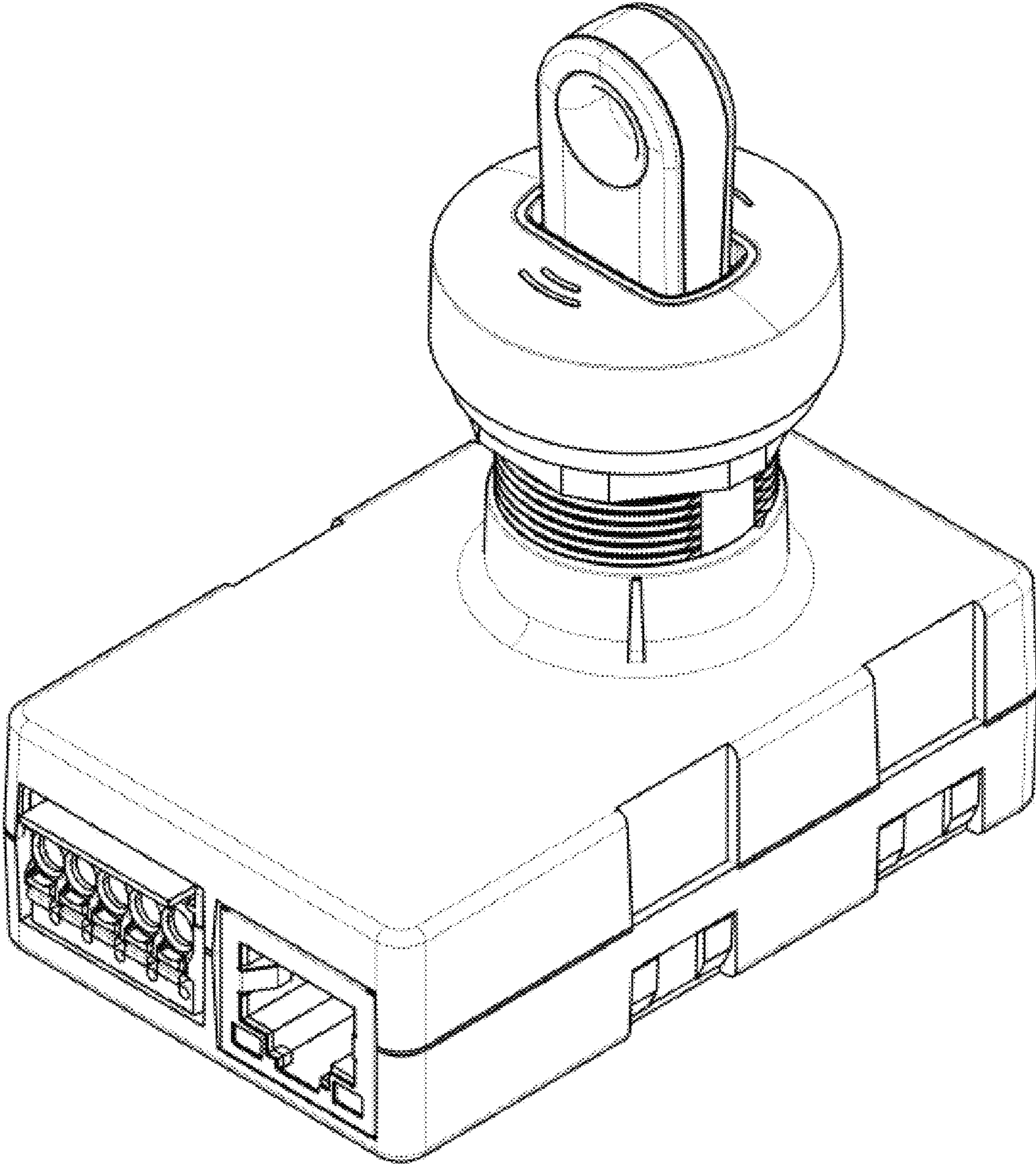


FIG. 1

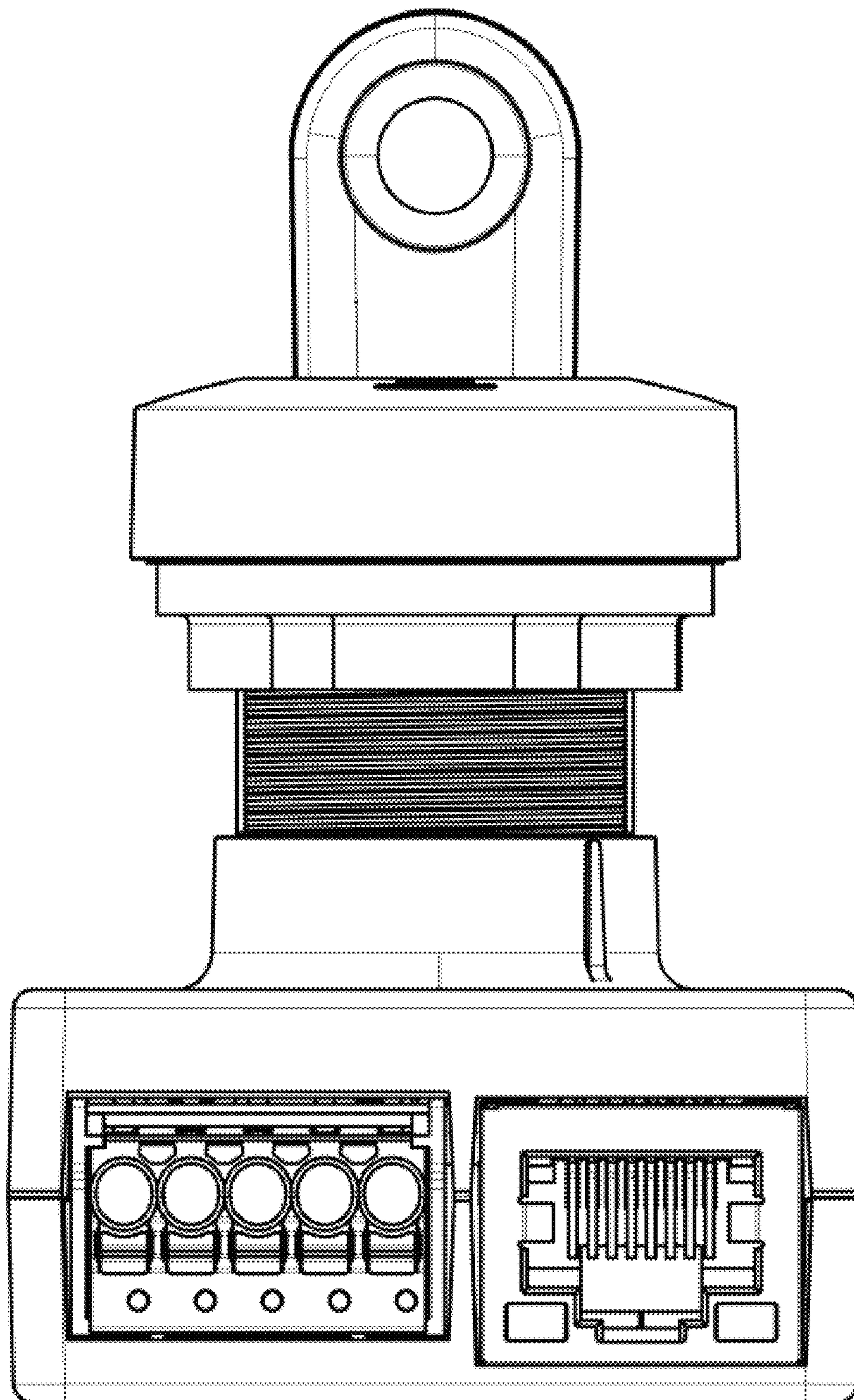


FIG. 2

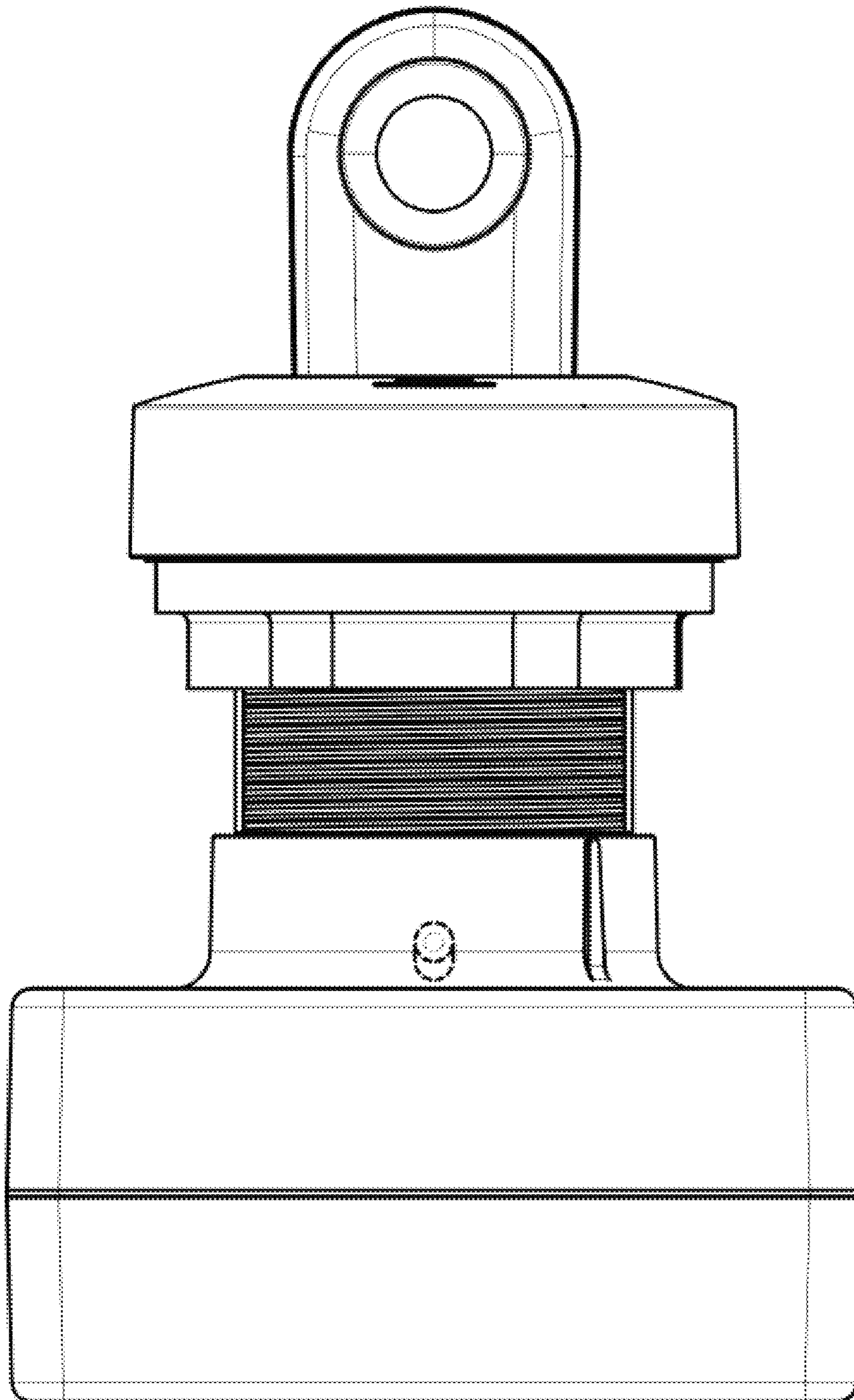


FIG. 3

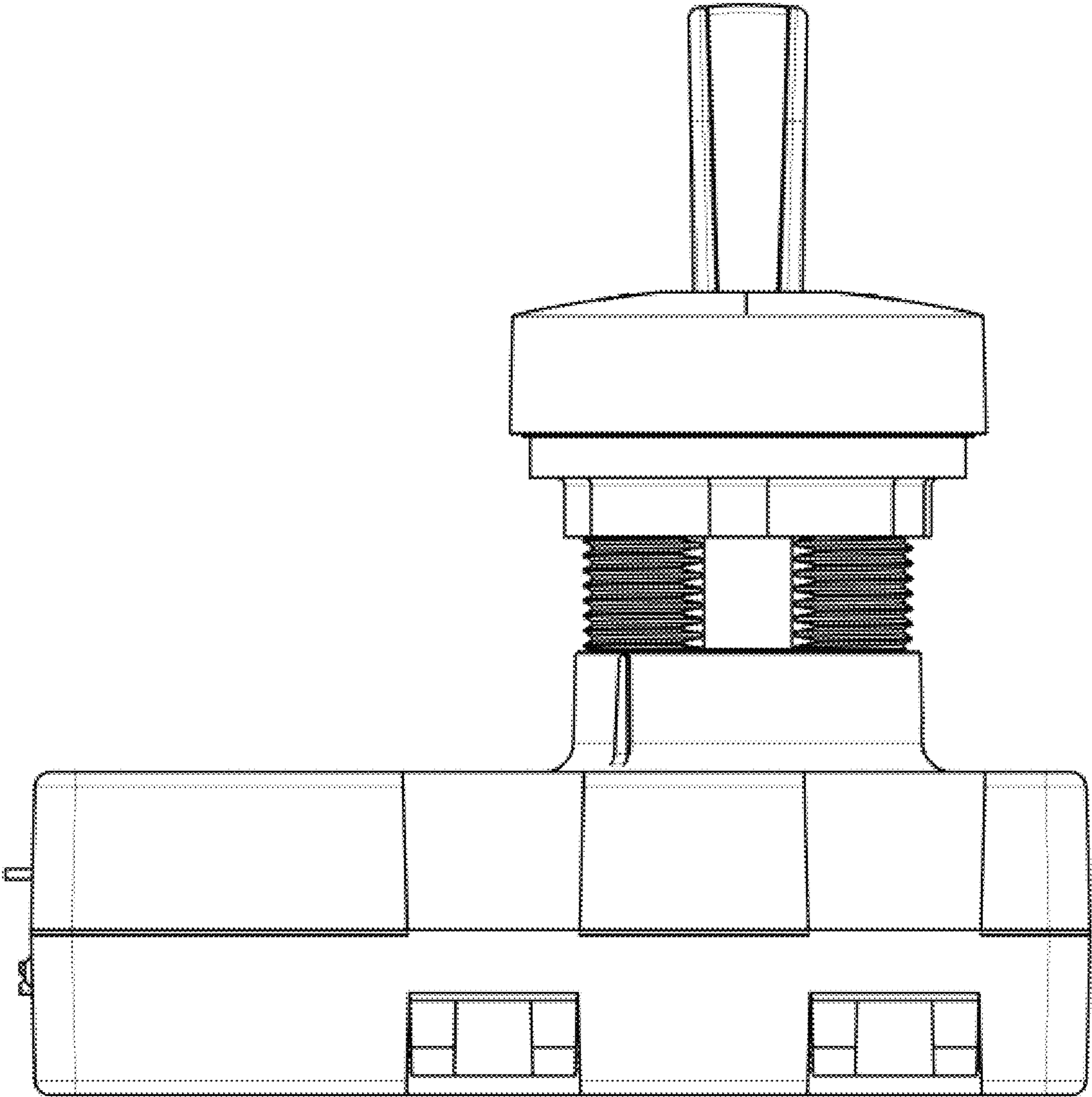


FIG. 4

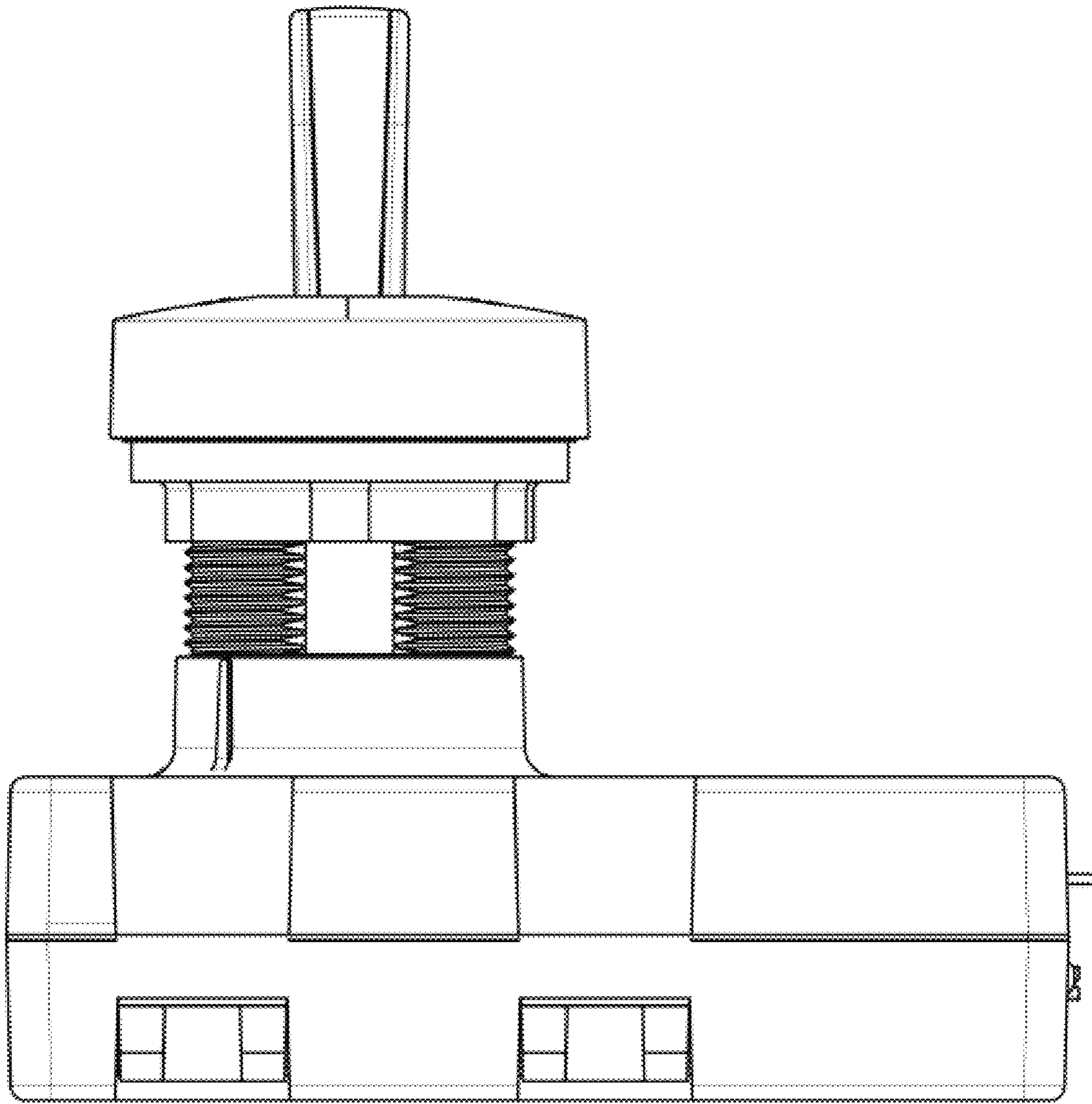


FIG. 5

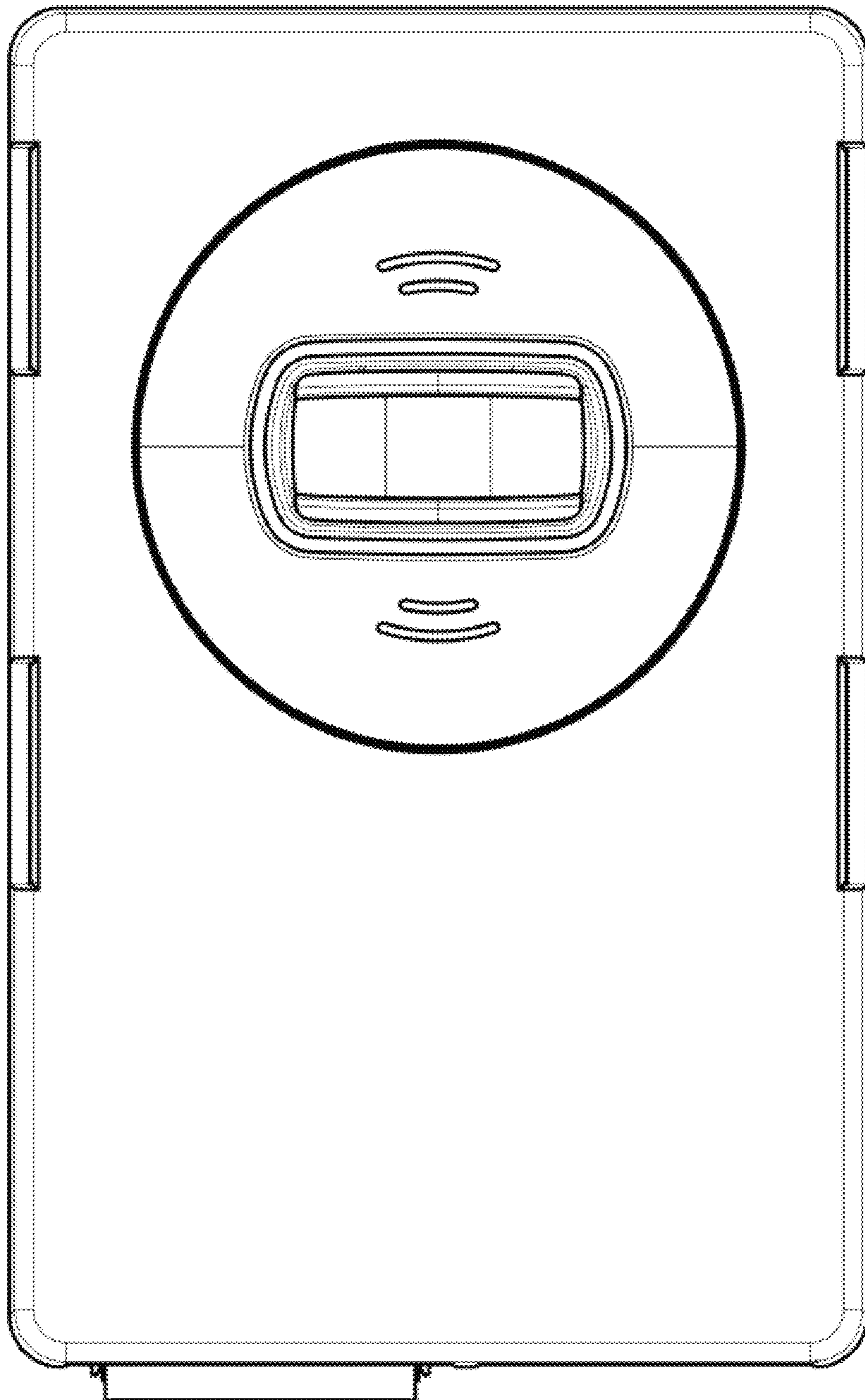


FIG. 6



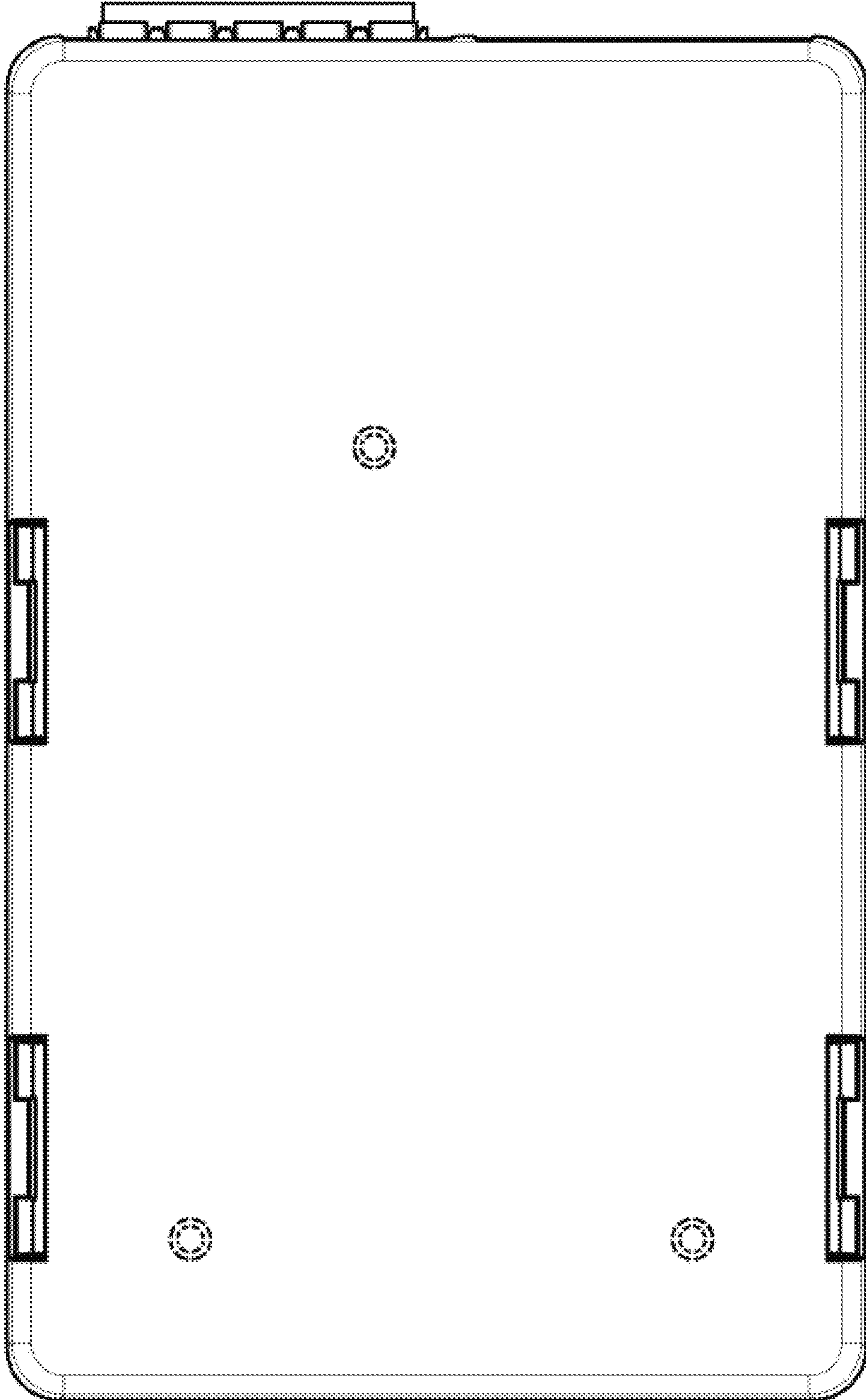


FIG. 7