



US00D971281S

(12) **United States Design Patent** (10) **Patent No.:** **US D971,281 S**  
**Wehrli** (45) **Date of Patent:** **\*\* Nov. 29, 2022**

(54) **LINEAR ACTUATOR**  
(71) Applicant: **Cyltronic AG**, Winterthur (CH)  
(72) Inventor: **Jeremias Wehrli**, Winterthur (CH)  
(\*\*) Term: **15 Years**  
(21) Appl. No.: **35/513,663**  
(22) Filed: **Aug. 18, 2021**  
(80) **Hague Agreement Data**  
Int. Filing Date: **Aug. 18, 2021**  
Int. Reg. No.: **DM/216527**  
Int. Reg. Date: **Aug. 18, 2021**  
Int. Reg. Pub. Date: **Feb. 18, 2022**  
(51) **LOC (13) Cl.** ..... **15-09**  
(52) **U.S. Cl.**  
USPC ..... **D15/148**  
(58) **Field of Classification Search**  
USPC ..... D12/345; D13/118, 158, 162, 184;  
D15/1-5, 7, 9, 143, 148, 149, 199  
CPC ..... B66F 3/18; F16H 19/04; F16H 57/039;  
H01F 7/066  
See application file for complete search history.

(56) **References Cited**  
U.S. PATENT DOCUMENTS  
D333,666 S \* 3/1993 Kawashima ..... D15/199  
5,234,386 A \* 8/1993 Nagai ..... B23Q 1/56  
474/148  
D379,468 S \* 5/1997 Nagai ..... D15/199  
D399,491 S \* 10/1998 Nagai ..... D13/158  
D399,830 S \* 10/1998 Nagai ..... D13/199  
D413,129 S \* 8/1999 Nagai ..... D15/199  
5,974,948 A \* 11/1999 Thompson ..... F15B 15/1414  
92/165 PR  
D417,457 S \* 12/1999 Asahara ..... D15/7  
D441,768 S \* 5/2001 Nagai ..... D15/7

6,400,047 B1 \* 6/2002 Hartrampf ..... H02K 41/031  
310/12.32  
6,718,229 B1 \* 4/2004 Takebayashi ..... B25J 9/1687  
700/217  
D587,733 S \* 3/2009 Niedermeyer ..... D15/143  
D589,543 S \* 3/2009 Lin ..... D15/143  
D596,653 S \* 7/2009 Fukano ..... D15/143  
D611,514 S \* 3/2010 Fukano ..... D15/143  
D621,860 S \* 8/2010 Fukano ..... D13/110  
D624,099 S \* 9/2010 Fukano ..... D15/143  
D624,100 S \* 9/2010 Fukano ..... D15/143  
D624,570 S \* 9/2010 Fukano ..... D15/143  
D624,572 S \* 9/2010 Fukano ..... D15/143  
D650,401 S \* 12/2011 Fukano ..... D15/143  
D656,169 S \* 3/2012 Fukano ..... D15/199  
D695,798 S \* 12/2013 Wu ..... D15/143  
D702,271 S \* 4/2014 Lin ..... D15/199  
D703,714 S \* 4/2014 Kim ..... D15/143  
D704,238 S \* 5/2014 Fukano ..... D15/199  
D744,559 S \* 12/2015 Nakayama ..... D15/143  
D754,819 S \* 4/2016 Bonomi ..... D23/233  
D810,164 S \* 2/2018 Lin ..... D15/148  
D839,329 S \* 1/2019 Lück ..... D15/148  
D847,236 S \* 4/2019 Chen ..... D15/148  
D853,460 S \* 7/2019 Zhuang ..... D15/148  
D962,315 S \* 8/2022 Hoshi ..... D15/143

(Continued)

Primary Examiner — Patricia A Palasik

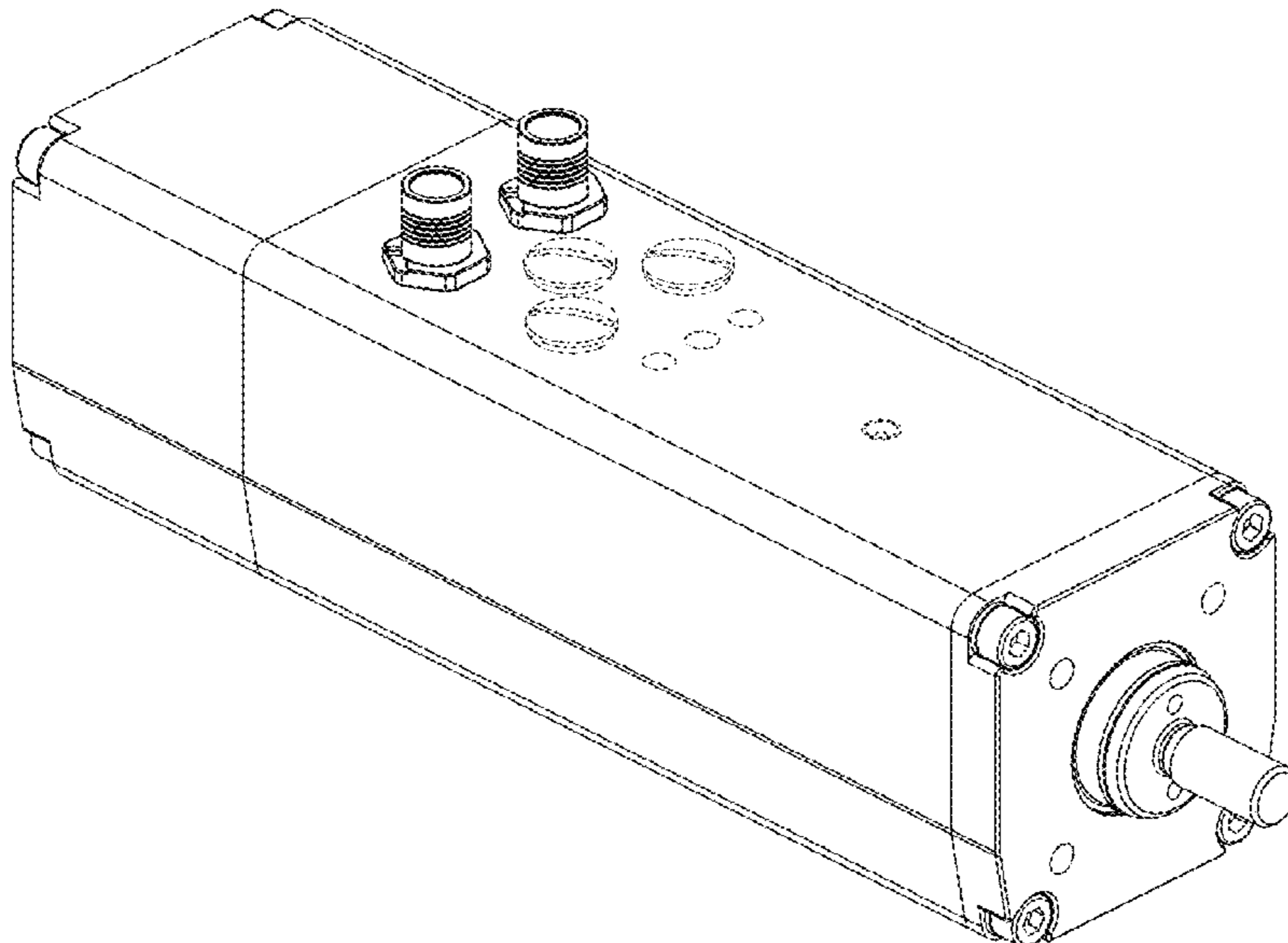
(57) **CLAIM**

The ornamental design for a linear actuator, as shown and described.

**DESCRIPTION**

- 1. Linear actuator
- 1.1 : Perspective
- 1.2 : Front
- 1.3 : Back
- 1.4 : Right
- 1.5 : Left
- 1.6 : Top
- 1.7 : Bottom

**1 Claim, 7 Drawing Sheets**



(56)

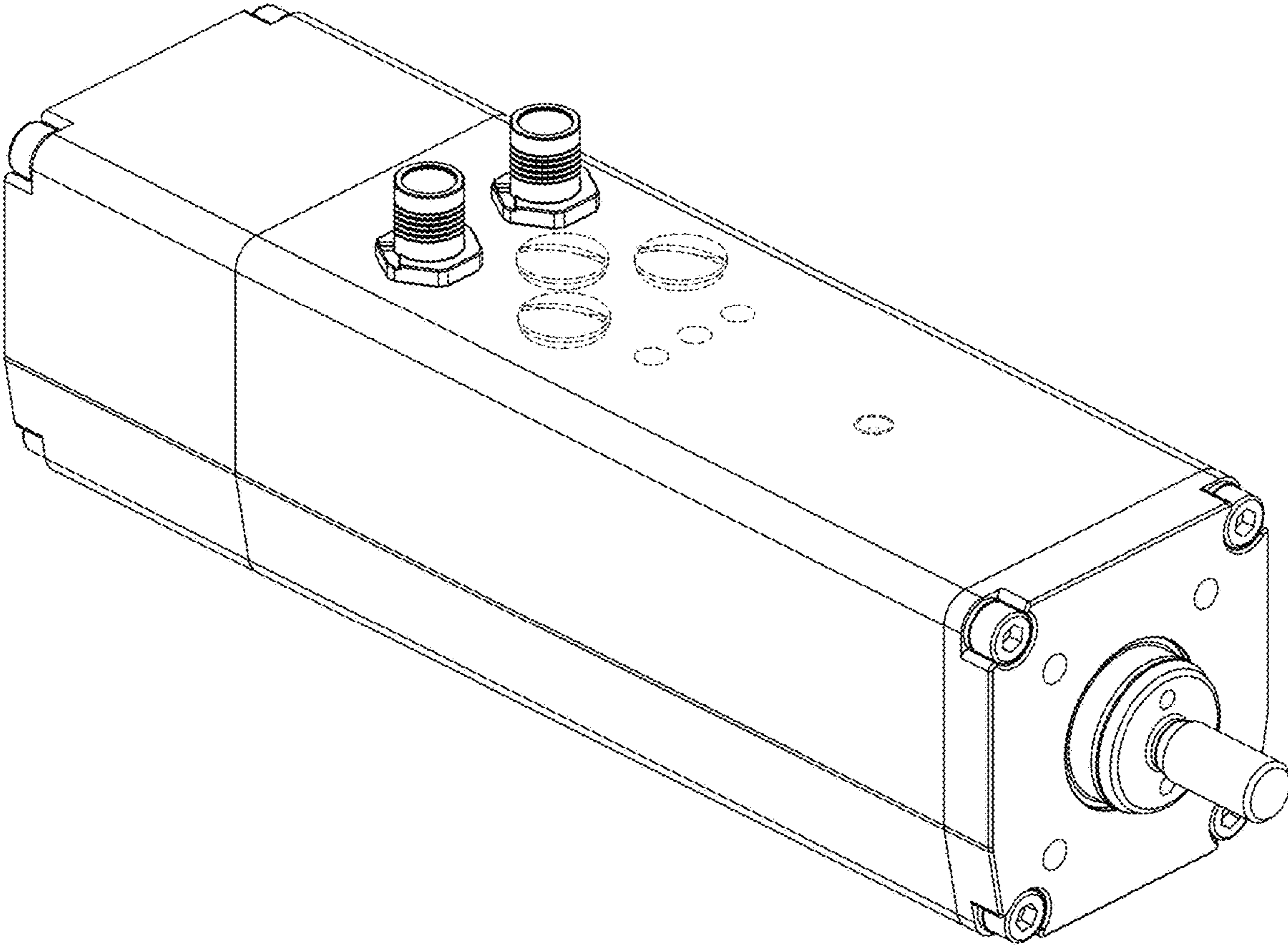
**References Cited**

U.S. PATENT DOCUMENTS

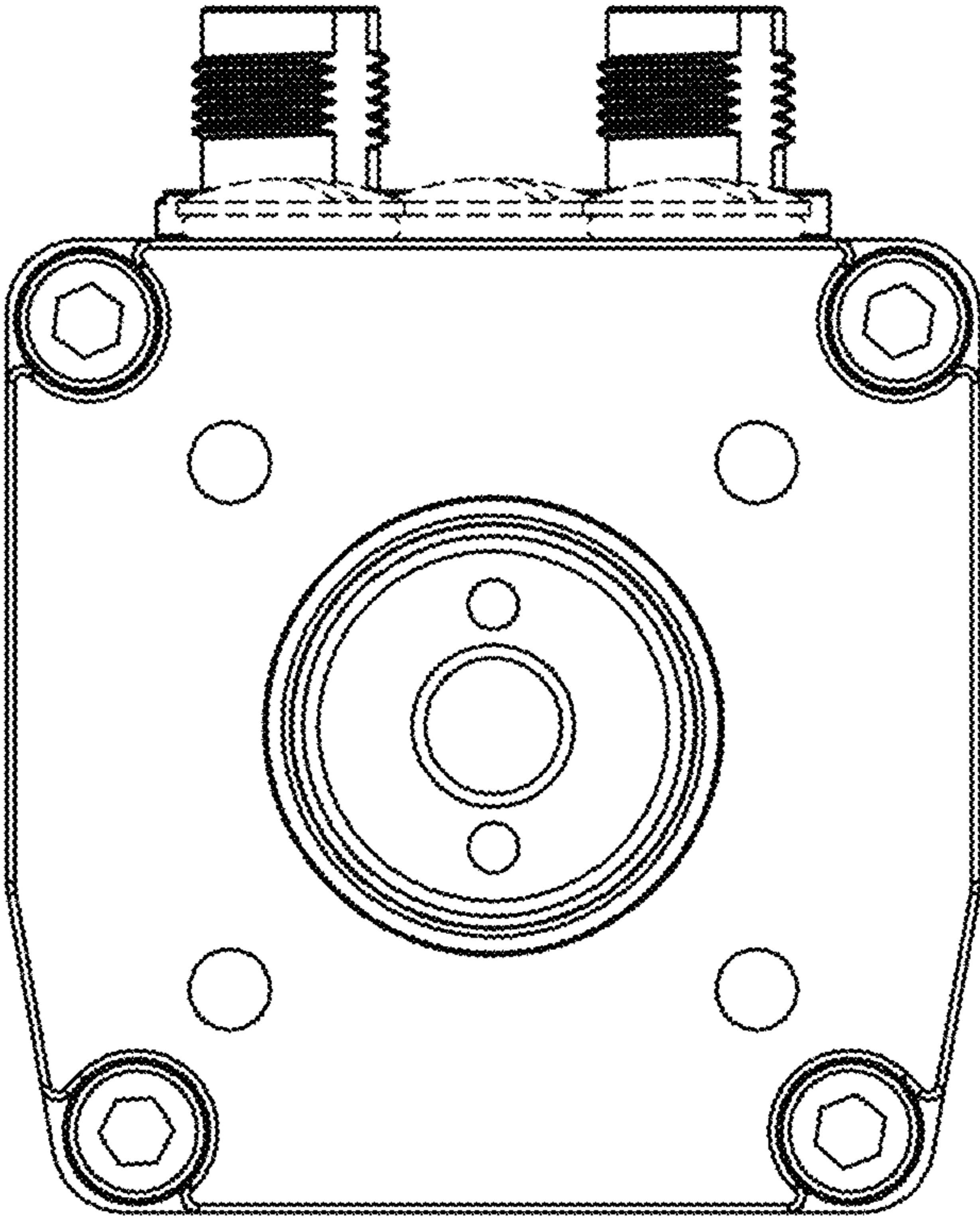
2013/0147286 A1\* 6/2013 Aso ..... F16C 29/082  
310/12.33  
2016/0230861 A1\* 8/2016 Cheng ..... F16H 25/2015  
2020/0340557 A1\* 10/2020 Jensch ..... H02K 7/06

\* cited by examiner

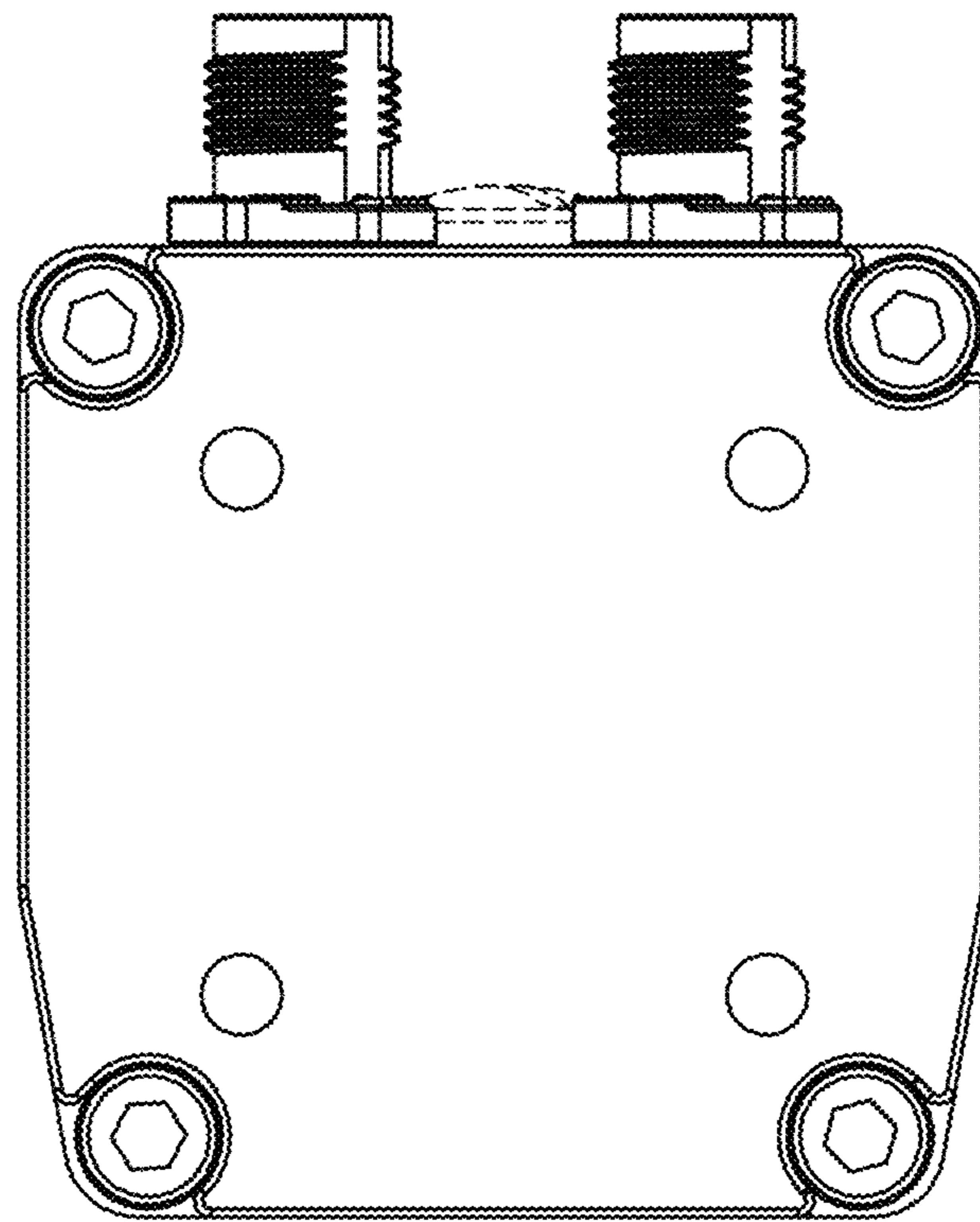
1.1



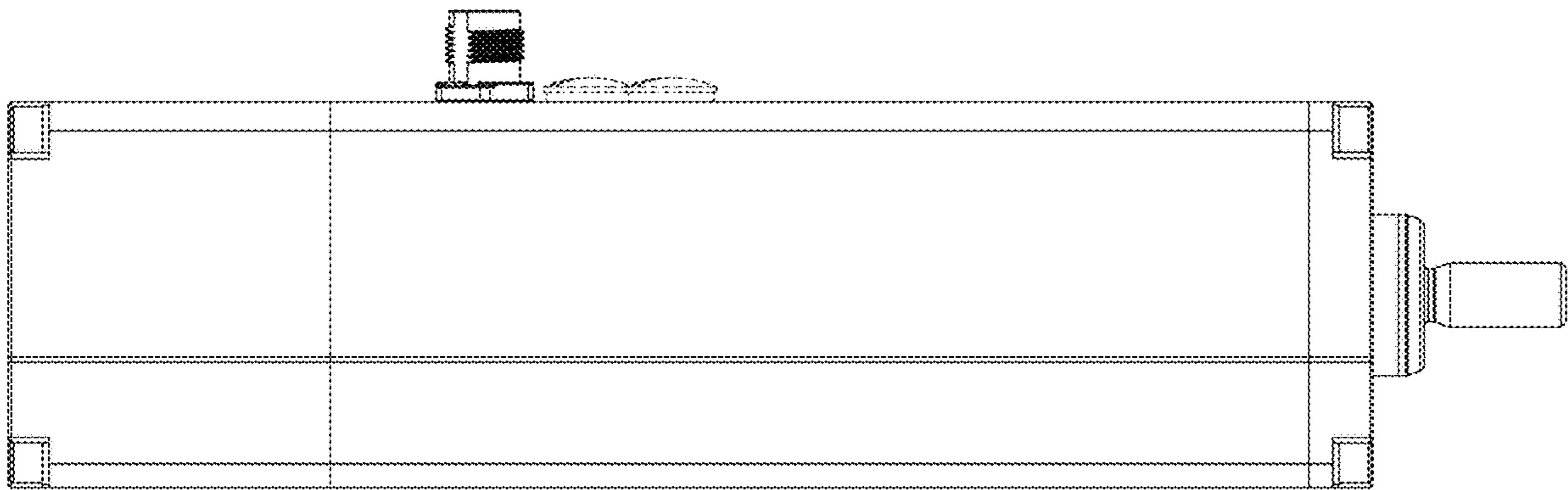
1.2



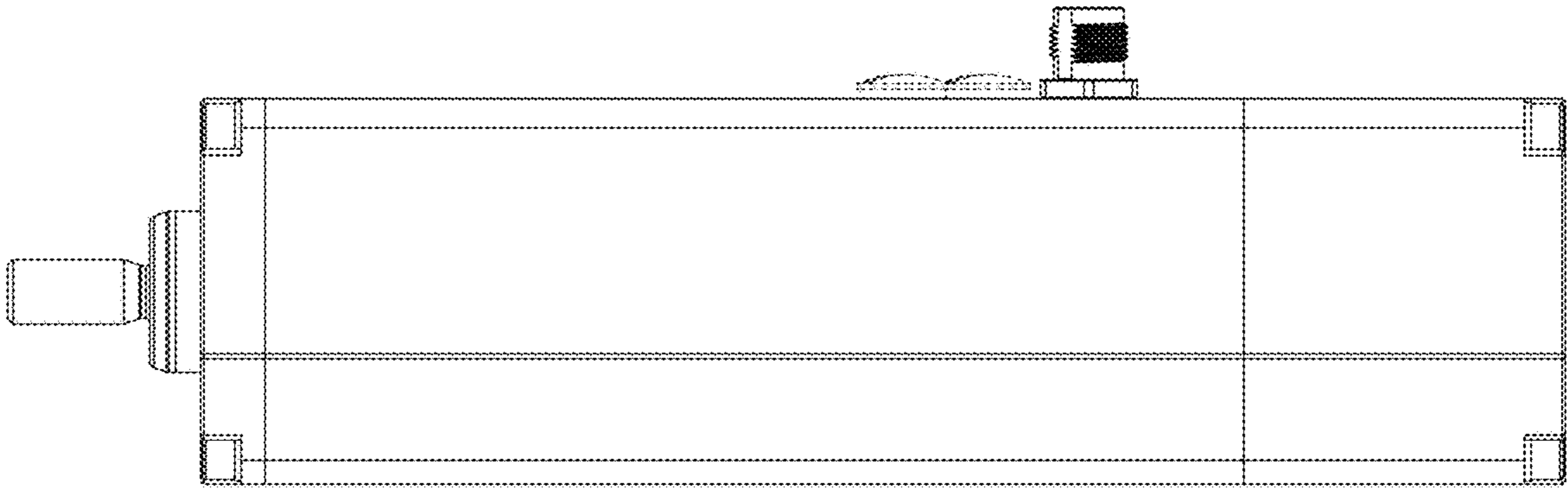
1.3



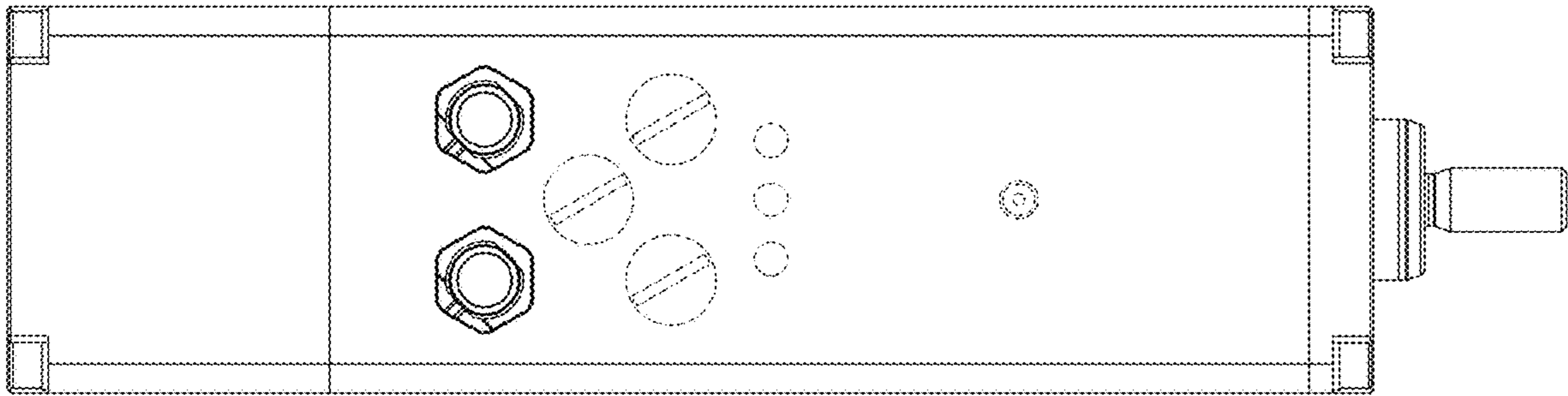
1.4



1.5



1.6





1.7

