



US00D971280S

(12) **United States Design Patent** (10) **Patent No.:** **US D971,280 S**
Su (45) **Date of Patent:** **** Nov. 29, 2022**

(54) **ROTARY CUTTER**
(71) Applicant: **Hong Ann Tool Industries Co., Ltd.,**
Taichung (TW)
(72) Inventor: **Cheng-Wei Su, Taichung (TW)**
(73) Assignee: **Hong Ann Tool Industries Co., Ltd.,**
Taichung (TW)
(**) Term: **15 Years**
(21) Appl. No.: **29/747,361**
(22) Filed: **Aug. 21, 2020**
(30) **Foreign Application Priority Data**
May 28, 2020 (TW) 109302858
(51) **LOC (13) Cl.** **15-09**
(52) **U.S. Cl.**
USPC **D15/139**
(58) **Field of Classification Search**
USPC D8/70; D15/139
CPC B23C 5/00; B23C 5/10
See application file for complete search history.

(56) **References Cited**
U.S. PATENT DOCUMENTS
D410,367 S * 6/1999 Applegate D8/27
D522,821 S * 6/2006 Hsieh D8/29
D627,808 S * 11/2010 Kammerer D15/139
D627,809 S * 11/2010 Kammerer D15/139
D635,599 S * 4/2011 Furseth D15/139
D636,797 S * 4/2011 Kammerer D15/139
D637,213 S * 5/2011 Kammerer D15/139
D812,116 S * 3/2018 Choi D15/139
D814,259 S * 4/2018 Feuerstein D8/29
D815,504 S * 4/2018 Feuerstein D8/29
D828,890 S * 9/2018 Niswonger D21/796

D886,168 S * 6/2020 Dill D15/139
D886,169 S * 6/2020 Dill D15/139
D886,170 S * 6/2020 Dill D15/139
D886,171 S * 6/2020 Dill D15/139
D886,172 S * 6/2020 Dill D15/139
D887,809 S * 6/2020 Su D8/86
D889,224 S * 7/2020 Kukucka D8/86
D936,117 S * 11/2021 Allen B23B 51/02
D15/139
D938,999 S * 12/2021 Congdon D15/139
D941,111 S * 1/2022 Su D8/70
D941,112 S * 1/2022 Su D8/70

* cited by examiner

Primary Examiner — Michael C Stout
Assistant Examiner — Fritzgerald L Butac
(74) *Attorney, Agent, or Firm* — Alan D. Kamrath; Karin L. Williams; Mayer & Williams PC

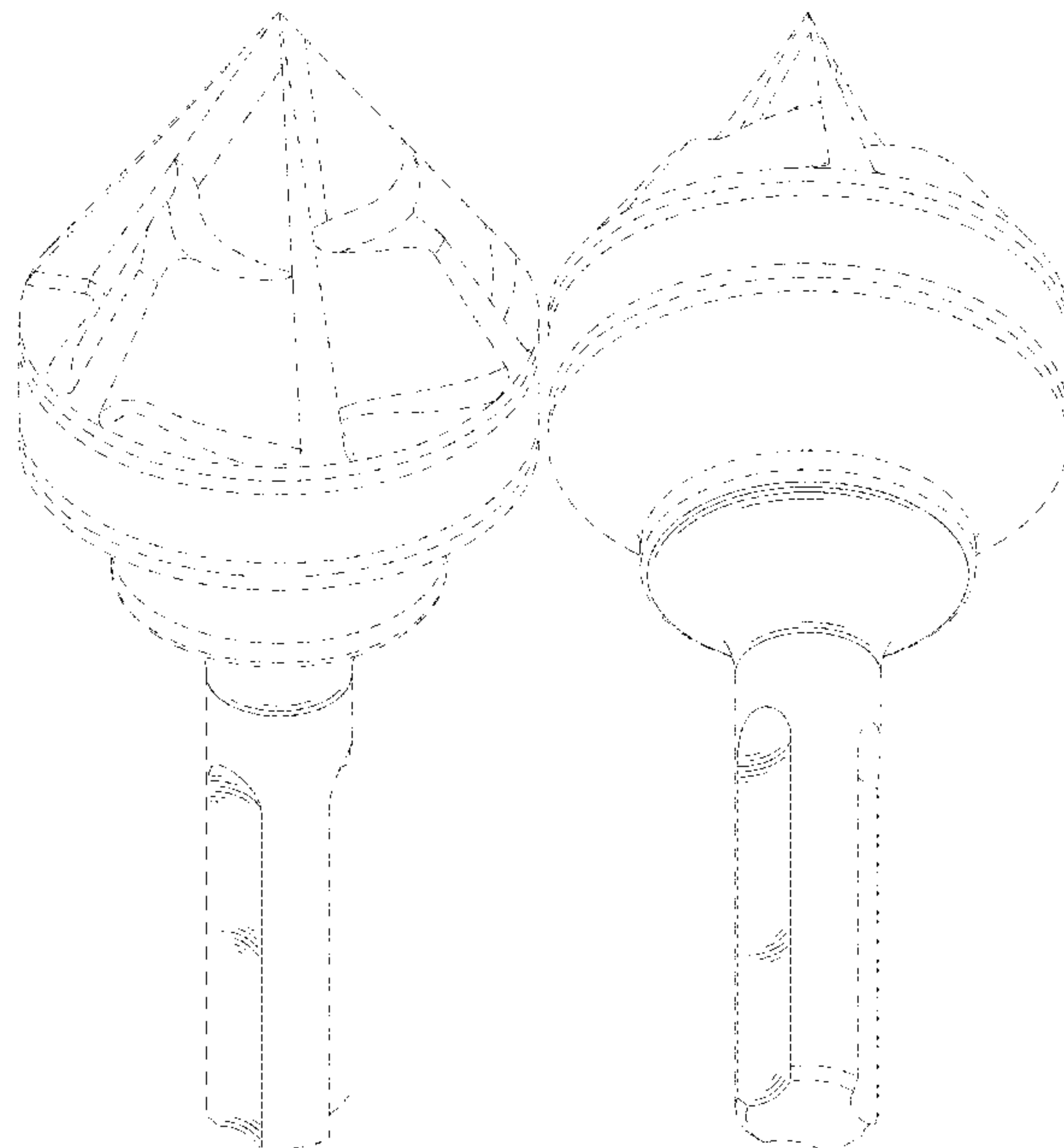
(57) **CLAIM**

The ornamental design for a rotary cutter, as shown and described.

DESCRIPTION

FIG. 1 is a perspective view of a rotary cutter showing my new design;
FIG. 2 is a front view thereof;
FIG. 3 is a rear view thereof;
FIG. 4 is a left view thereof;
FIG. 5 is a right view thereof;
FIG. 6 is a top view thereof;
FIG. 7 is a bottom view thereof; and,
FIG. 8 is another perspective view of the claimed design thereof.
The broken lines depict portions of the rotary cutter in which the design is embodied that are not considered part of the claimed design.

1 Claim, 8 Drawing Sheets



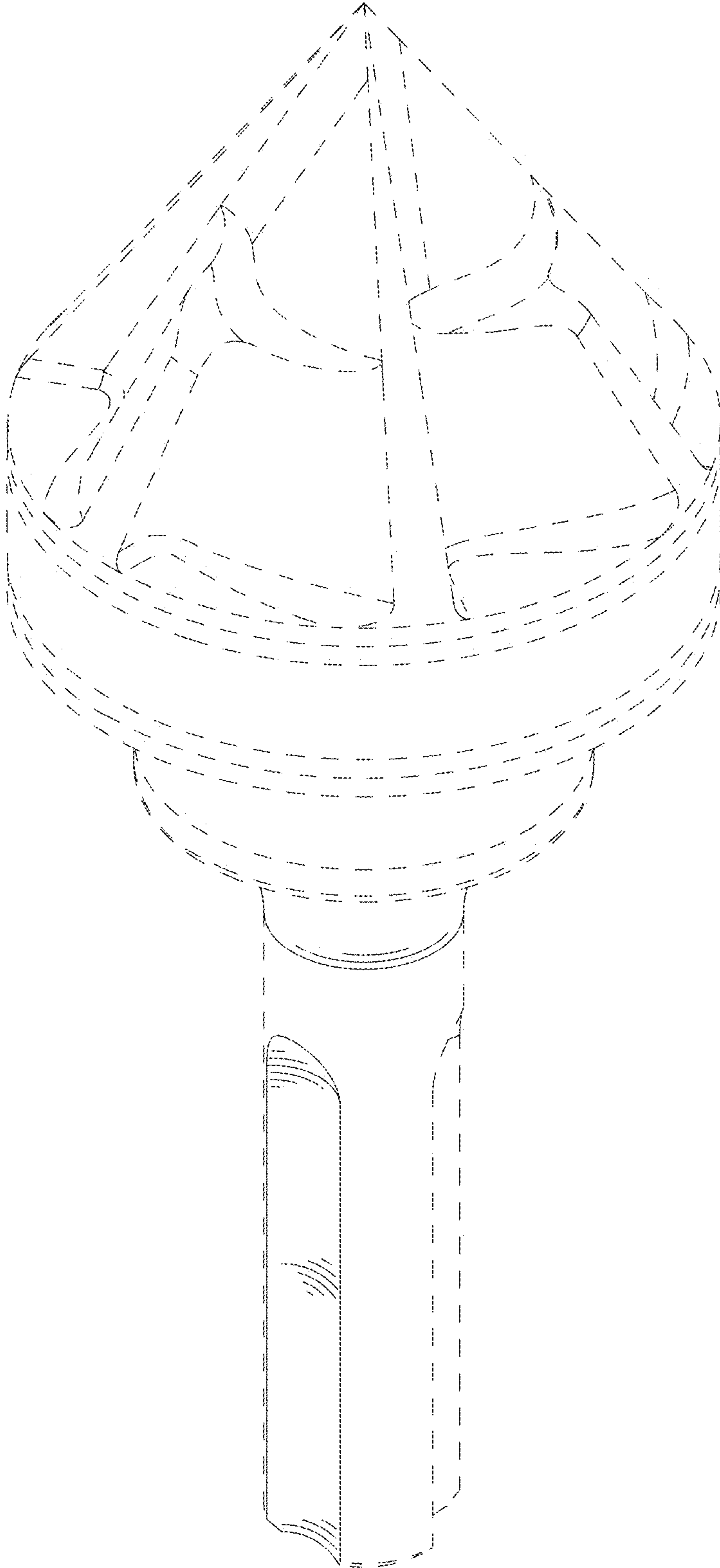


FIG. 1

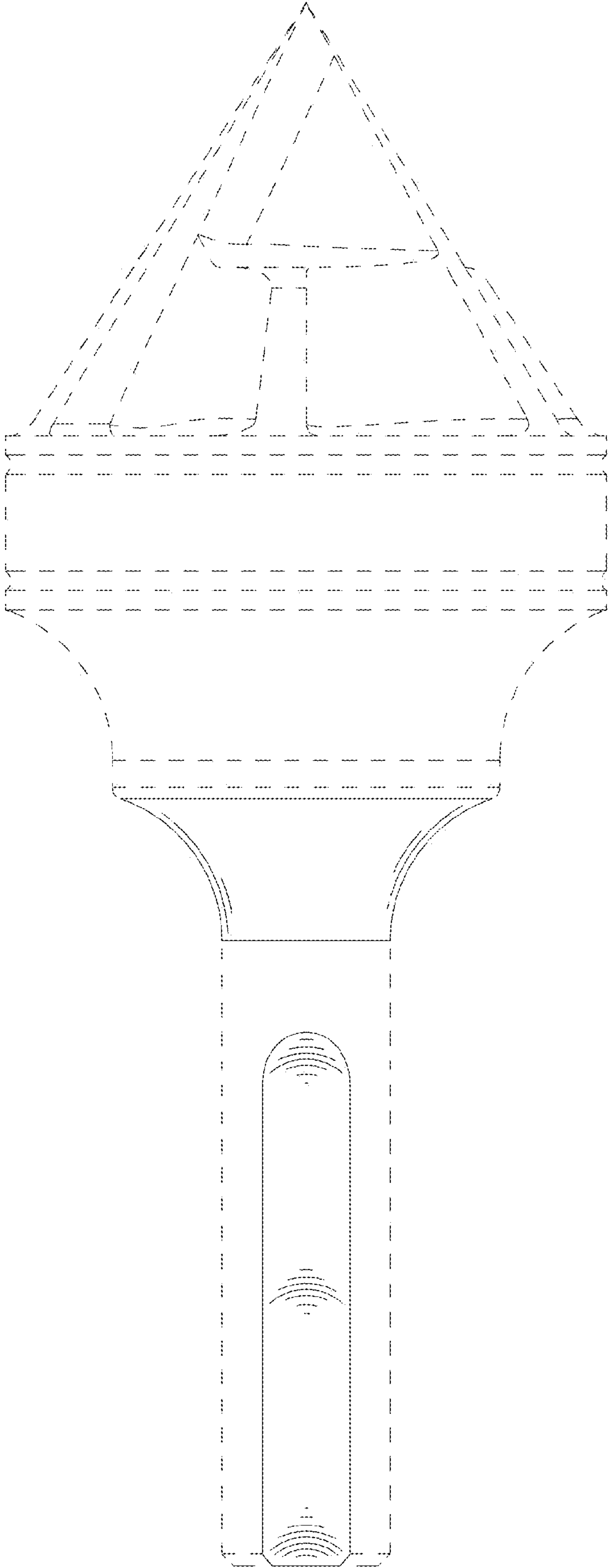


FIG. 2

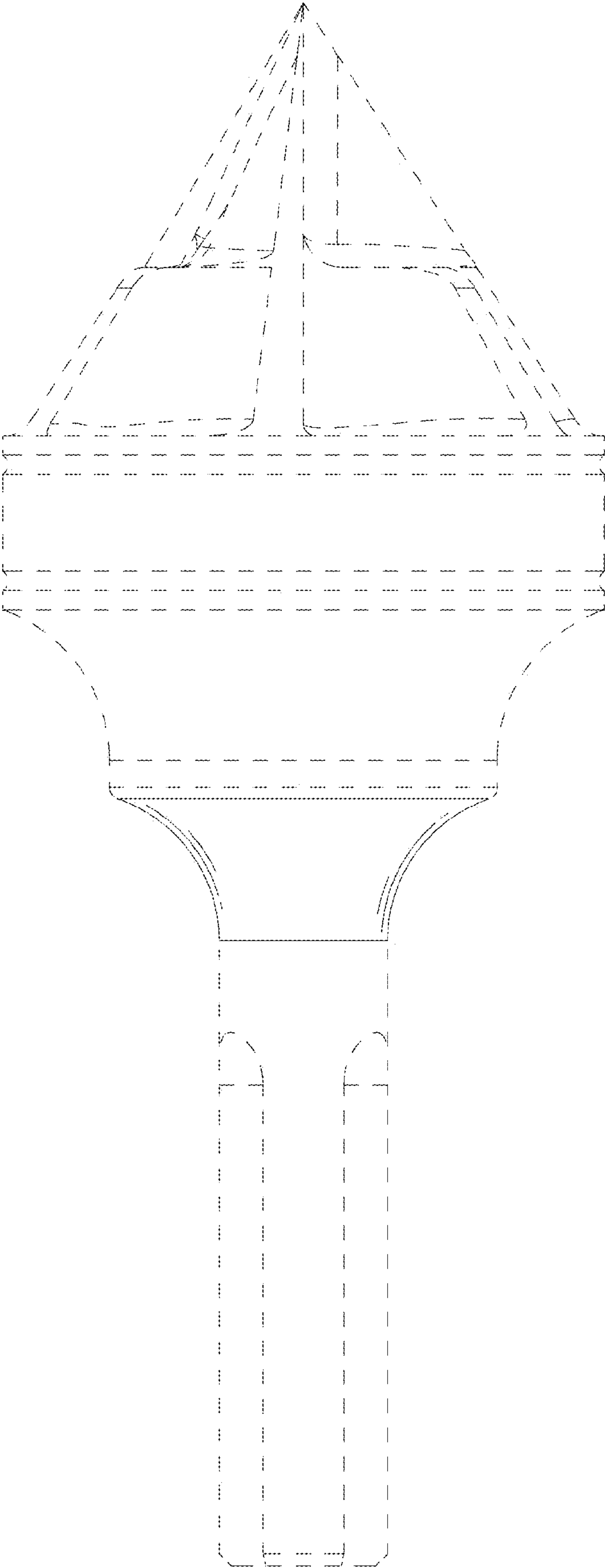


FIG. 3

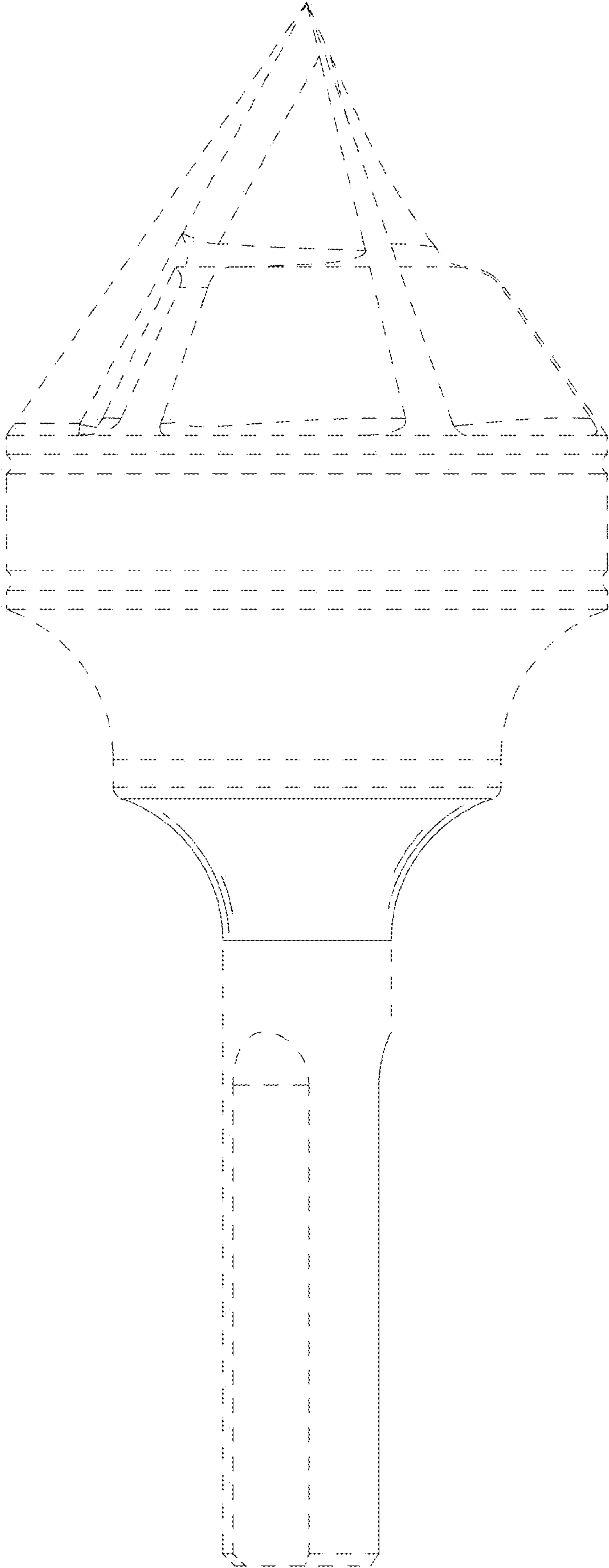


FIG. 4

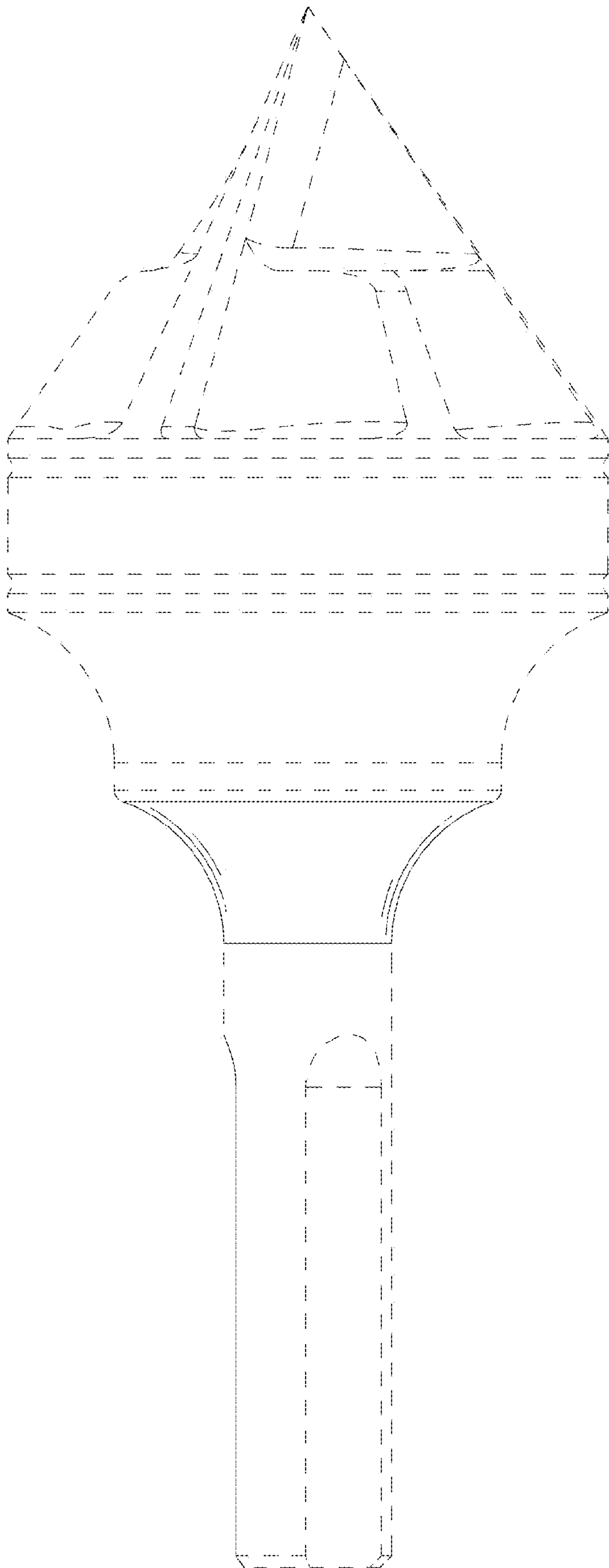


FIG. 5

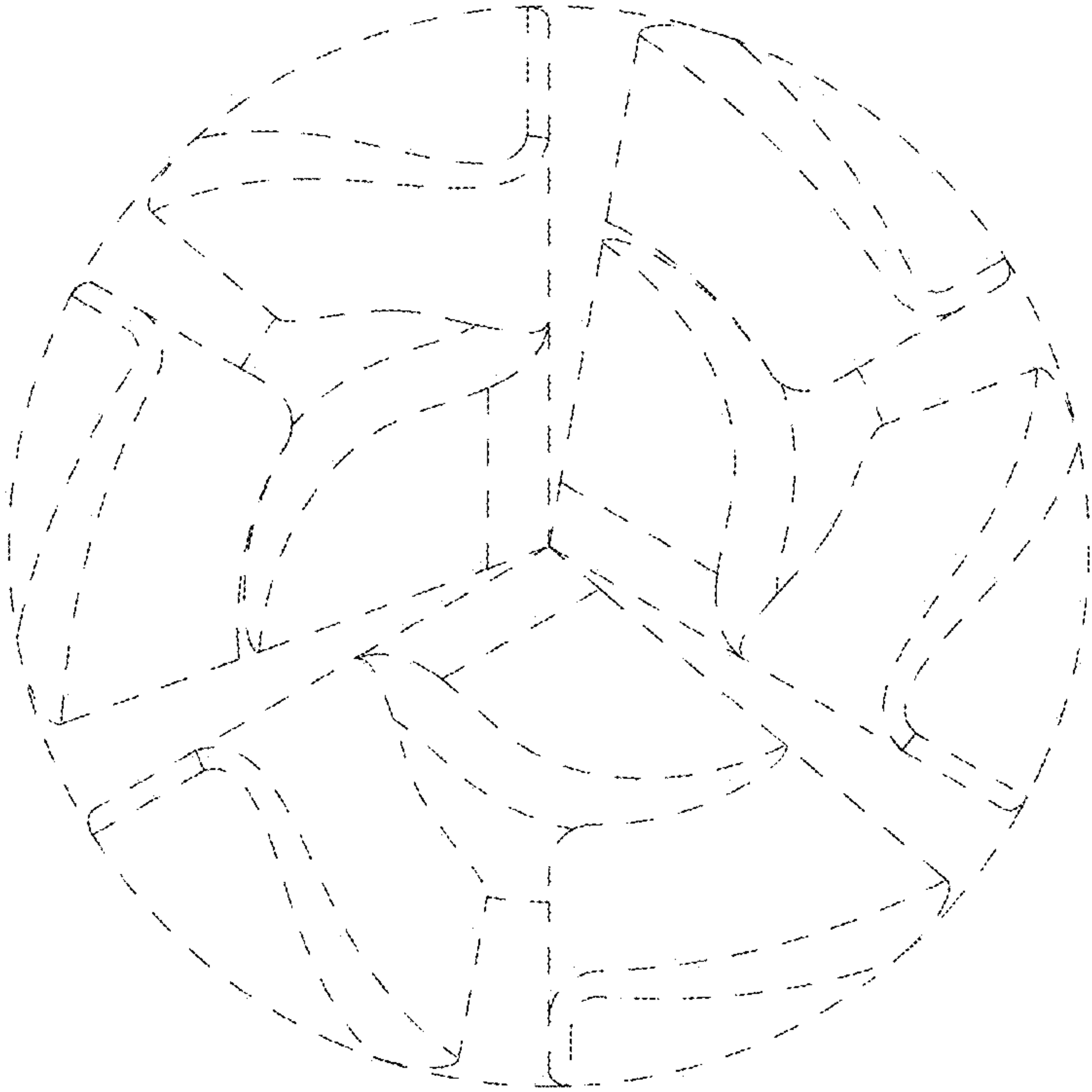


FIG. 6

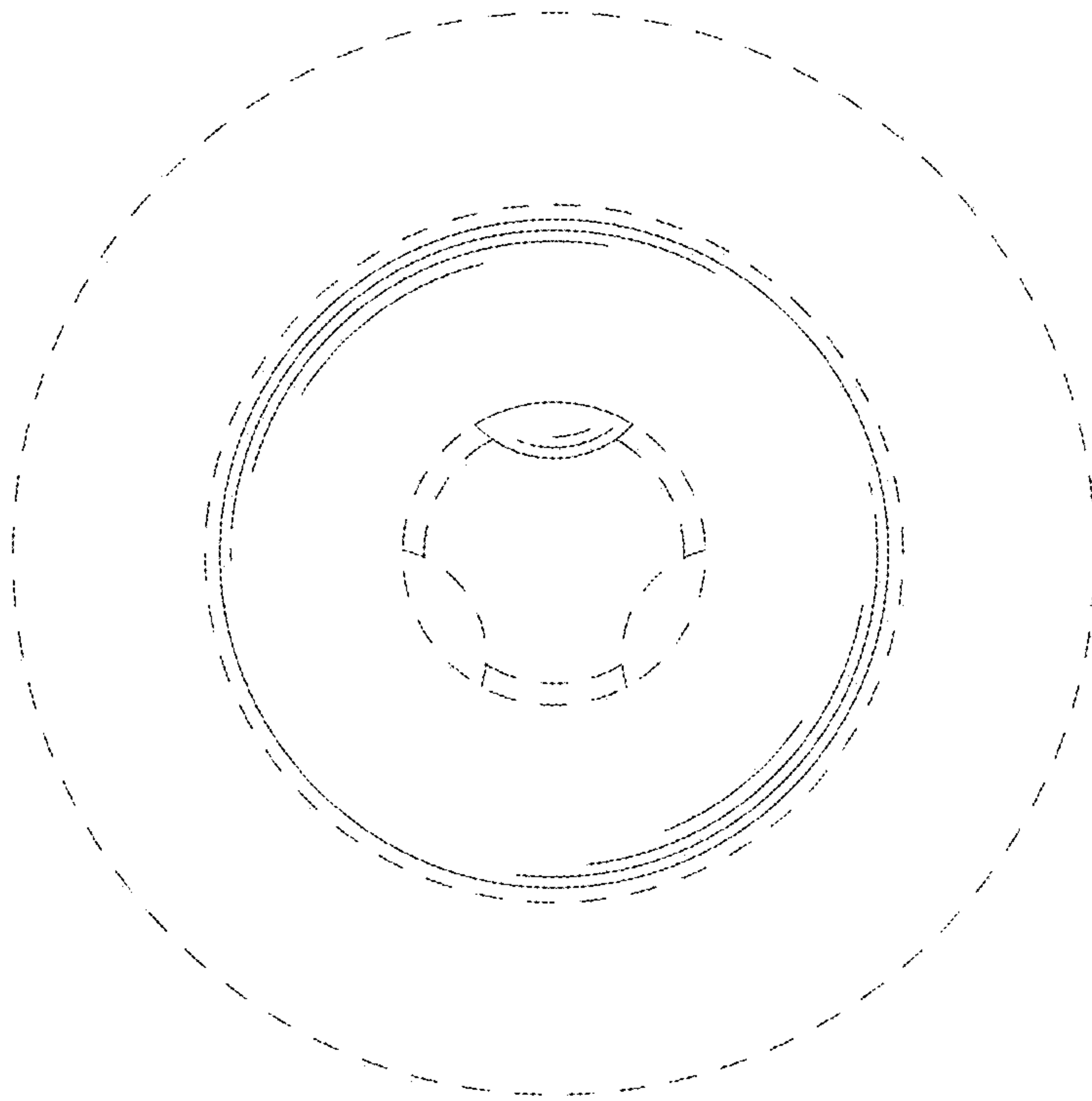


FIG. 7

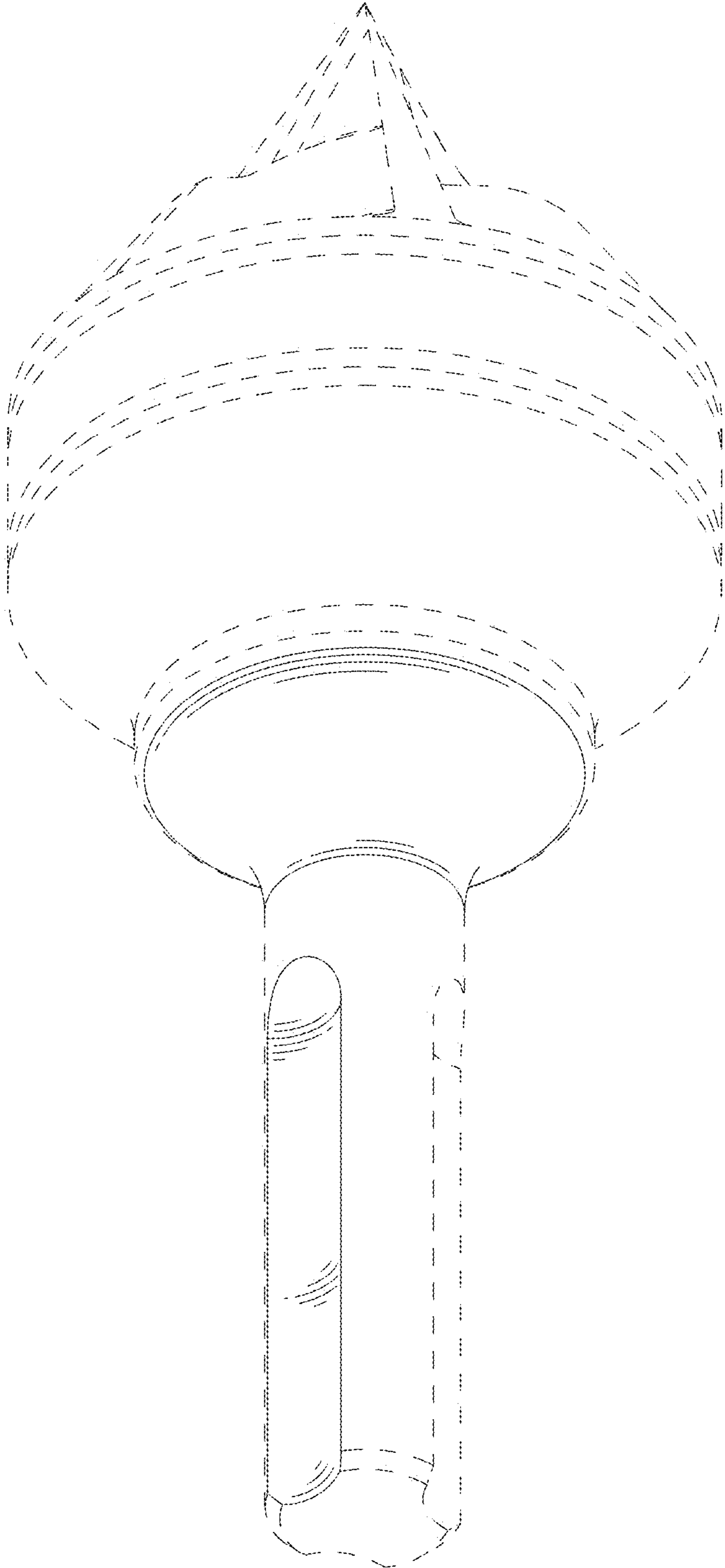


FIG. 8