



US00D971278S

(12) **United States Design Patent**
Brand et al.

(10) **Patent No.:** **US D971,278 S**

(45) **Date of Patent:** **** Nov. 29, 2022**

(54) **PORTABLE SCORING AND CUTTING MACHINE**

(71) Applicant: **Gunntech Manufacturing, Inc.**,
Hayden, ID (US)

(72) Inventors: **Nathaniel P. Brand**, Coeur d'Alene, ID (US); **Dalen E. Gunn**, Coeur d'Alene, ID (US)

(73) Assignee: **Marshalltown Company**,
Marshalltown, IA (US)

(**) Term: **15 Years**

(21) Appl. No.: **29/678,182**

(22) Filed: **Jan. 25, 2019**

(51) **LOC (13) Cl.** **15-09**

(52) **U.S. Cl.**
USPC **D15/129**

(58) **Field of Classification Search**
USPC D15/122, 127, 129, 130, 138, 139, 145,
D15/27, 1, 140, 28, 72, 78, 199; D8/98;
D24/177; D6/663
CPC B26F 1/3813; B26F 1/382; B26F 1/40;
B26F 3/12; B26D 1/02; B26D 1/26;
B26D 3/169; B26D 5/04; B26D 7/1854;
B26D 9/00; B26D 5/22

See application file for complete search history.

(56) **References Cited**

U.S. PATENT DOCUMENTS

D301,151 S * 5/1989 Kagayama D15/122
6,138,546 A * 10/2000 Hursey B26F 1/3853
83/455

D454,897 S * 3/2002 Kawaguchi D15/199
7,451,675 B1 * 11/2008 Johnson B26D 1/02
83/102.1
2011/0232442 A1 * 9/2011 Guglielmetti B26F 3/004
83/53
2012/0103154 A1 * 5/2012 Okabe B26F 1/3813
83/72
2012/0197427 A1 * 8/2012 Gallucci B26D 5/005
700/114
2012/0204696 A1 * 8/2012 Zorzolo C14B 5/00
83/437.1
2014/0170935 A1 * 6/2014 Maurer B26D 5/00
451/8
2018/0099354 A1 * 4/2018 Deiss B23K 37/0408
2018/0166095 A1 * 6/2018 Jacob B41J 11/0065
2018/0257255 A1 * 9/2018 Niichel B27C 5/06
2020/0048024 A1 * 2/2020 Nasu B26D 7/24

* cited by examiner

Primary Examiner — Nathaniel D. Buckner

(74) *Attorney, Agent, or Firm* — Stinson LLP

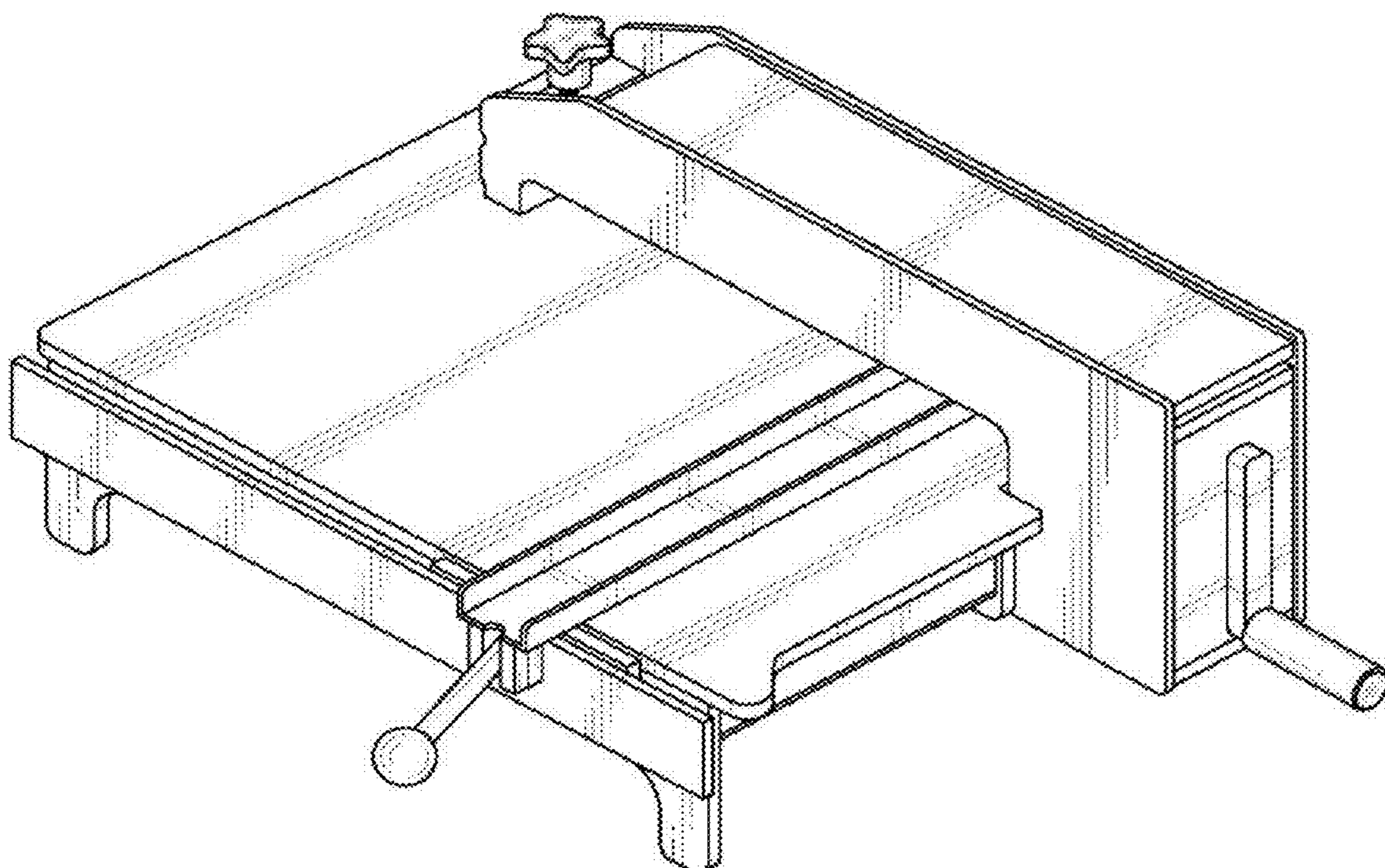
(57) **CLAIM**

The ornamental design for a portable scoring and cutting machine, as shown and described.

DESCRIPTION

FIG. 1 is a rear top left perspective view of a portable scoring and cutting machine showing our new design; FIG. 2 is a top plan view thereof; FIG. 3 is a front side elevation view thereof; FIG. 4 is a left side elevation view thereof; and, FIG. 5 is a bottom plan view thereof.

1 Claim, 5 Drawing Sheets



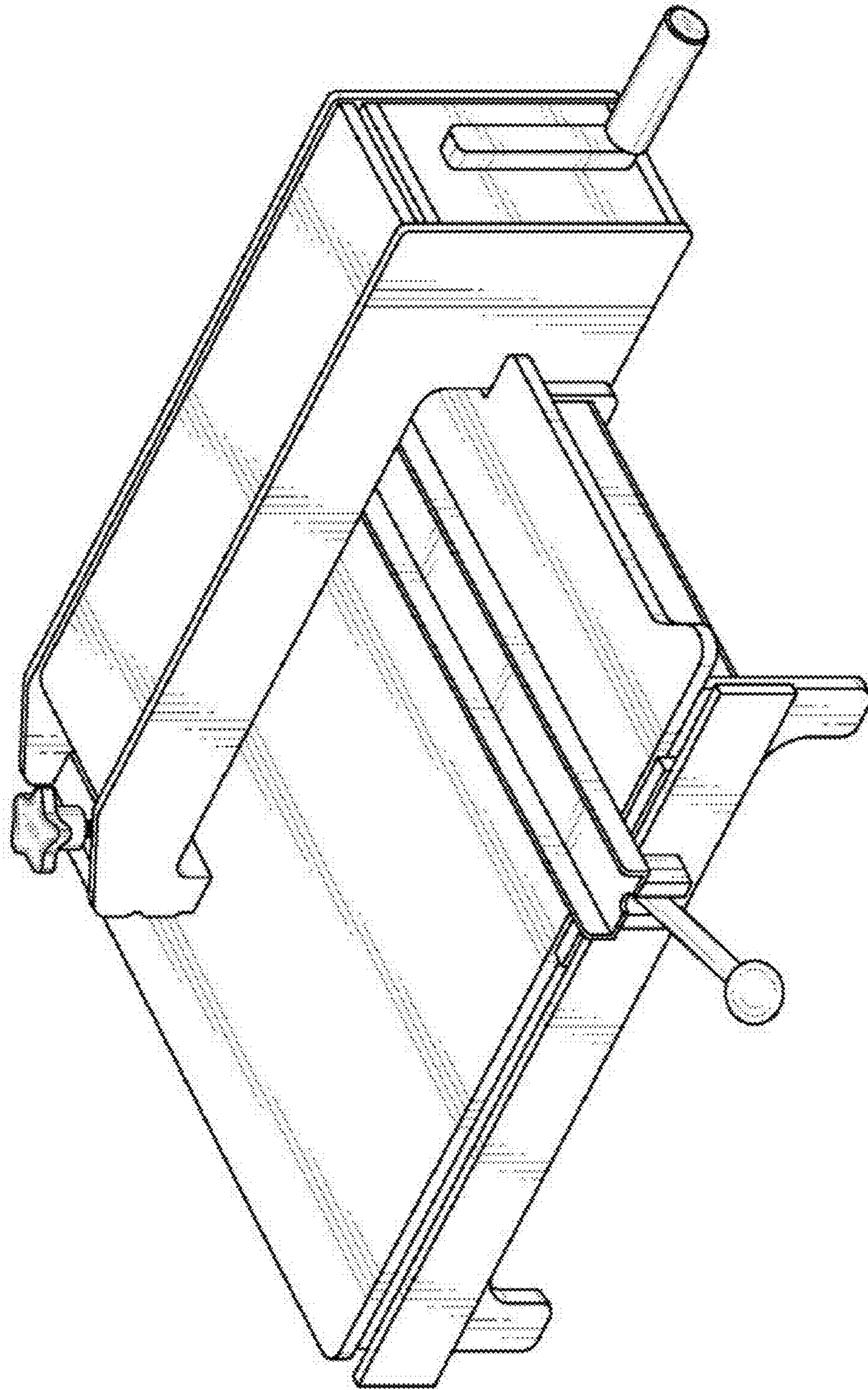


FIG. 1

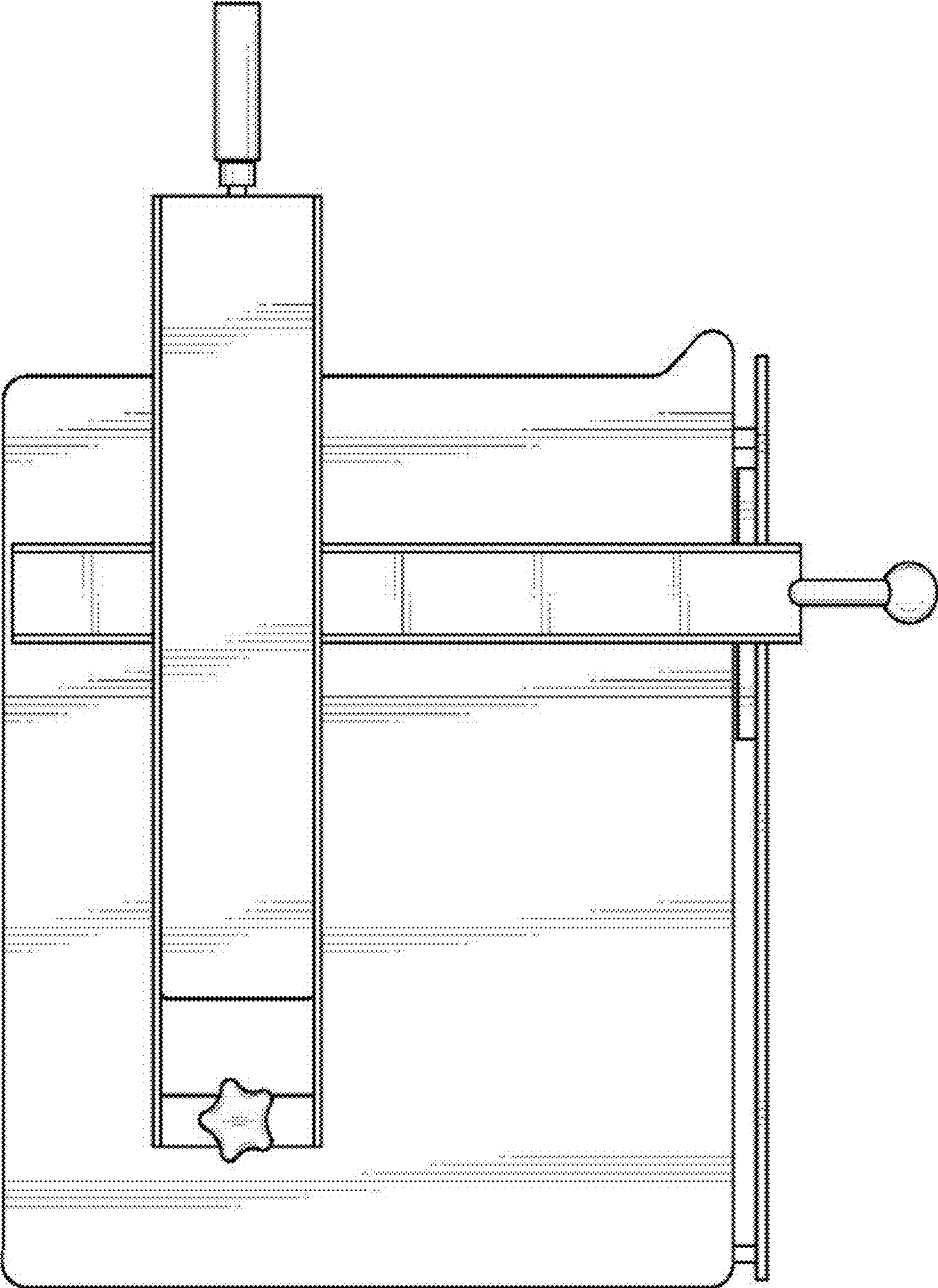
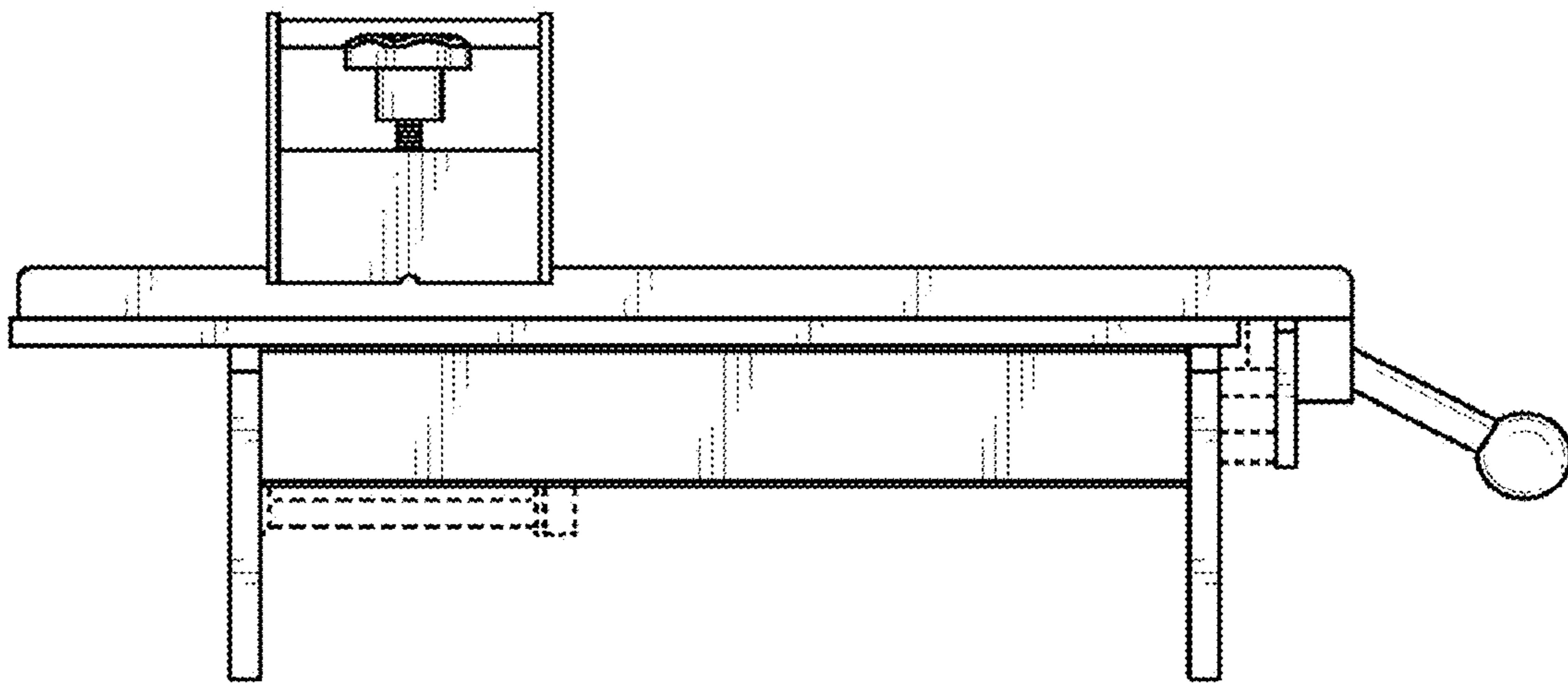


FIG. 2

FIG. 3



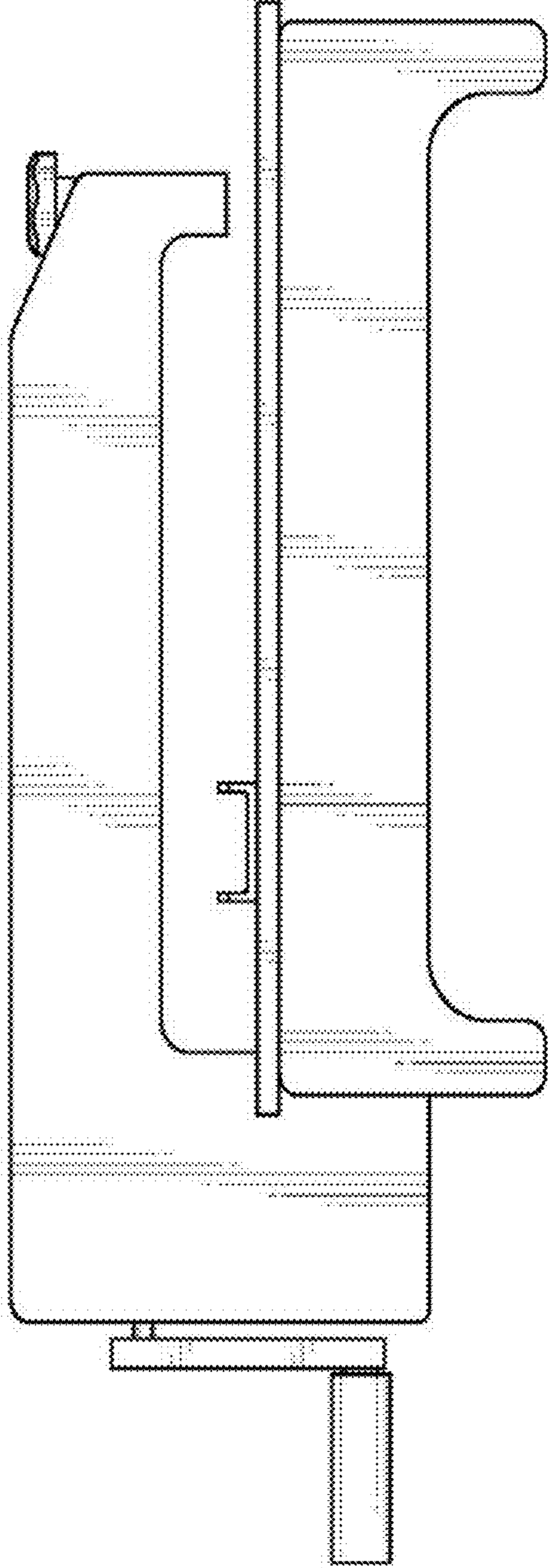


FIG. 4

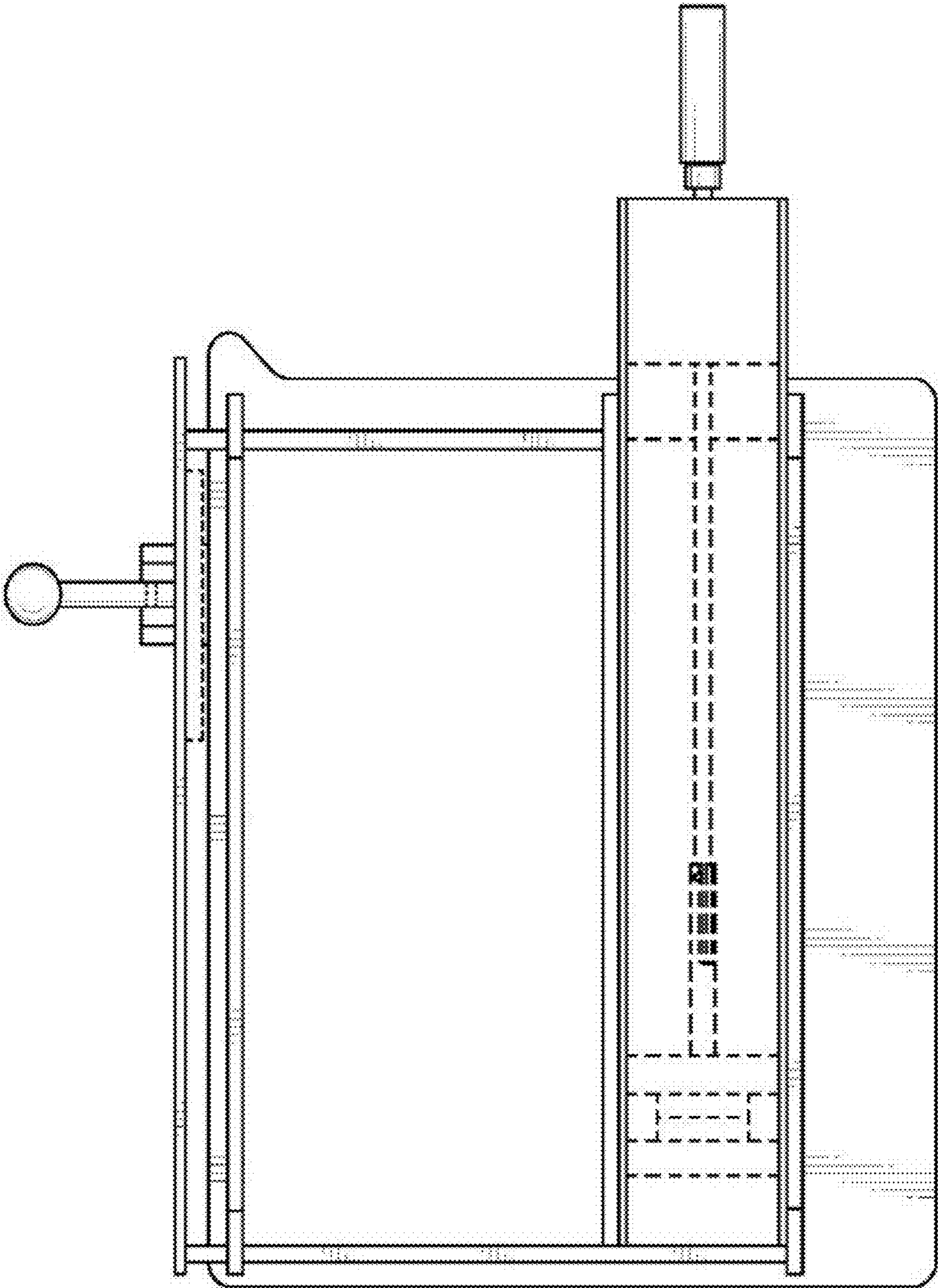


FIG. 5