



US00D971277S

(12) **United States Design Patent** (10) **Patent No.:** **US D971,277 S**  
**Hu** (45) **Date of Patent:** **\*\* Nov. 29, 2022**

(54) **ICE MAKER**

(71) Applicant: **SHENZHEN JINGYUAN NETWORK TECHNOLOGY CO., LTD.**, Shenzhen (CN)

(72) Inventor: **Fanjin Hu**, Shenzhen (CN)

(73) Assignee: **SHENZHEN JINGYUAN NETWORK TECHNOLOGY CO., LTD.**, Shenzhen (CN)

(\*\*) Term: **15 Years**

(21) Appl. No.: **29/791,402**

(22) Filed: **Jan. 10, 2022**

(51) **LOC (13) Cl.** ..... **15-07**

(52) **U.S. Cl.**  
USPC ..... **D15/80**

(58) **Field of Classification Search**  
USPC ..... D7/306, 307, 308, 309, 311, 374;  
D15/79, 80, 81, 82, 84, 91  
CPC ..... F25C 5/002; F25C 5/046; F25C 5/005;  
F25C 5/182; F25C 5/007; F25C 5/18;  
F25C 5/187; F25C 2400/10; F25C  
2400/14; F25C 2400/06; F25C 1/10;  
F25C 2700/04; F25C 2700/10  
See application file for complete search history.

(56) **References Cited**

**U.S. PATENT DOCUMENTS**

D122,079 S \* 8/1940 Carr ..... D15/84  
D224,708 S \* 9/1972 Marsh ..... D23/207  
D369,608 S \* 5/1996 Ratchford ..... D15/80  
D692,032 S \* 10/2013 LaFond ..... D15/80  
D734,371 S \* 7/2015 Lei ..... D15/80  
D745,576 S \* 12/2015 Sherman ..... D15/80  
D829,774 S 10/2018 Sherman et al.  
D877,210 S \* 3/2020 Letcher ..... D15/80

D910,723 S 2/2021 Little et al.  
D937,909 S \* 12/2021 Pan ..... D15/80  
D955,446 S \* 6/2022 Lin ..... D15/79  
2016/0138846 A1 \* 5/2016 Kim ..... F25C 5/182  
62/344

**OTHER PUBLICATIONS**

[Thereye Countertop Nugget Ice Maker], available in Amazon.com, date first available Jan. 1, 2022 [online], [site visited Sep. 13, 2022], Available from the internet URL: [https://www.amazon.com/Thereye-Countertop-Portable-Self-Cleaning-Stainless/dp/B09MVV717N/ref=sr\\_1\\_17?](https://www.amazon.com/Thereye-Countertop-Portable-Self-Cleaning-Stainless/dp/B09MVV717N/ref=sr_1_17?) (Year: 2022).\*

\* cited by examiner

*Primary Examiner* — Khawaja Anwar  
*Assistant Examiner* — Megan Tiana Rakos

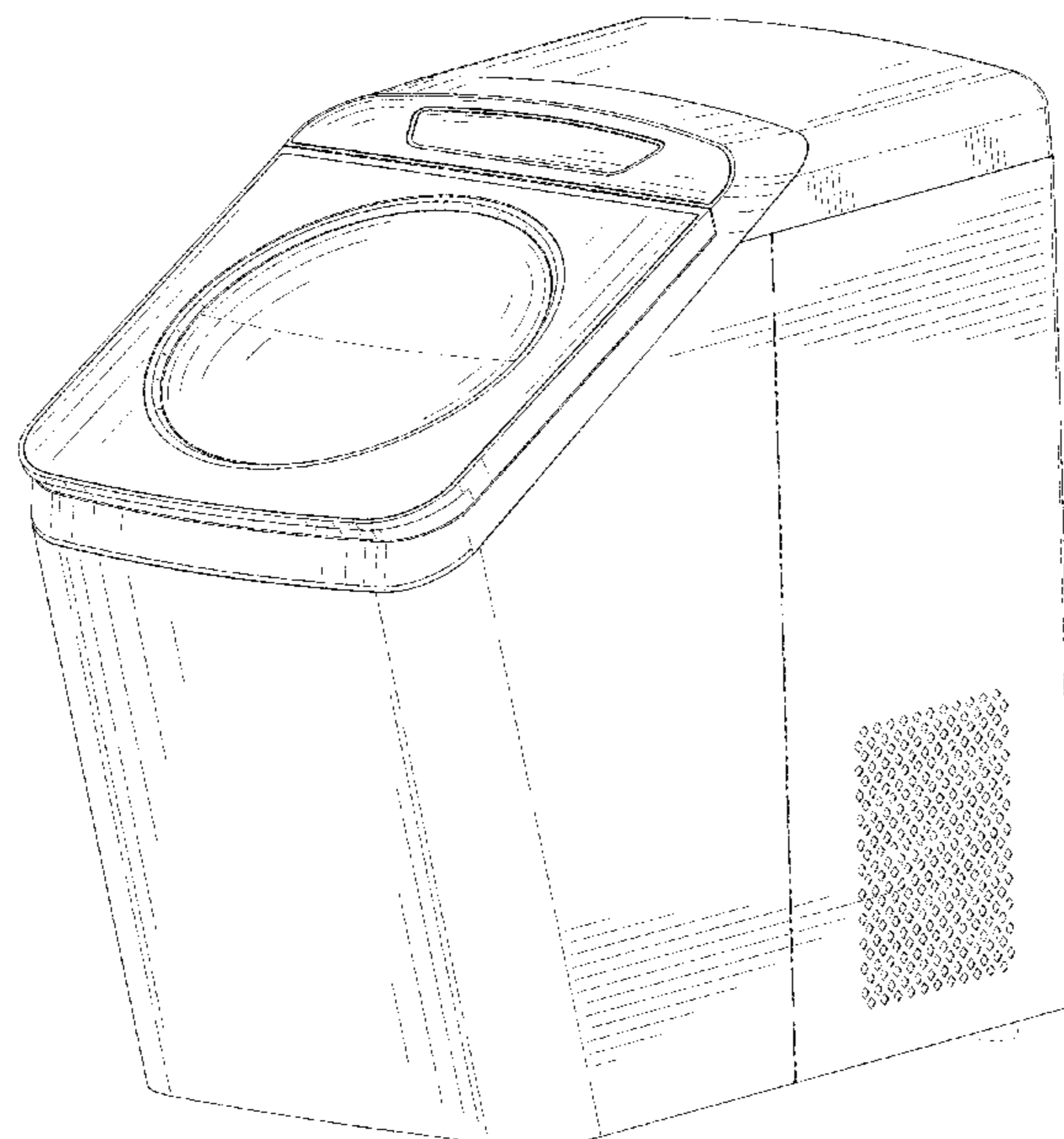
(57) **CLAIM**

The ornamental design for an ice maker, as shown and described.

**DESCRIPTION**

FIG. 1 is a perspective view of an ice maker showing my new design;  
FIG. 2 is another perspective view thereof;  
FIG. 3 is a front elevational view thereof;  
FIG. 4 is a rear elevational view thereof;  
FIG. 5 is a left side elevational view thereof;  
FIG. 6 is a right side elevational view thereof;  
FIG. 7 is a top plan view thereof;  
FIG. 8 is a bottom plan view thereof; and,  
FIG. 9 is a perspective view of the ice maker where the ice maker is in a configuration of use.  
The broken lines in the drawings depict portions of the ice maker that form no part of the claimed design.

**1 Claim, 9 Drawing Sheets**



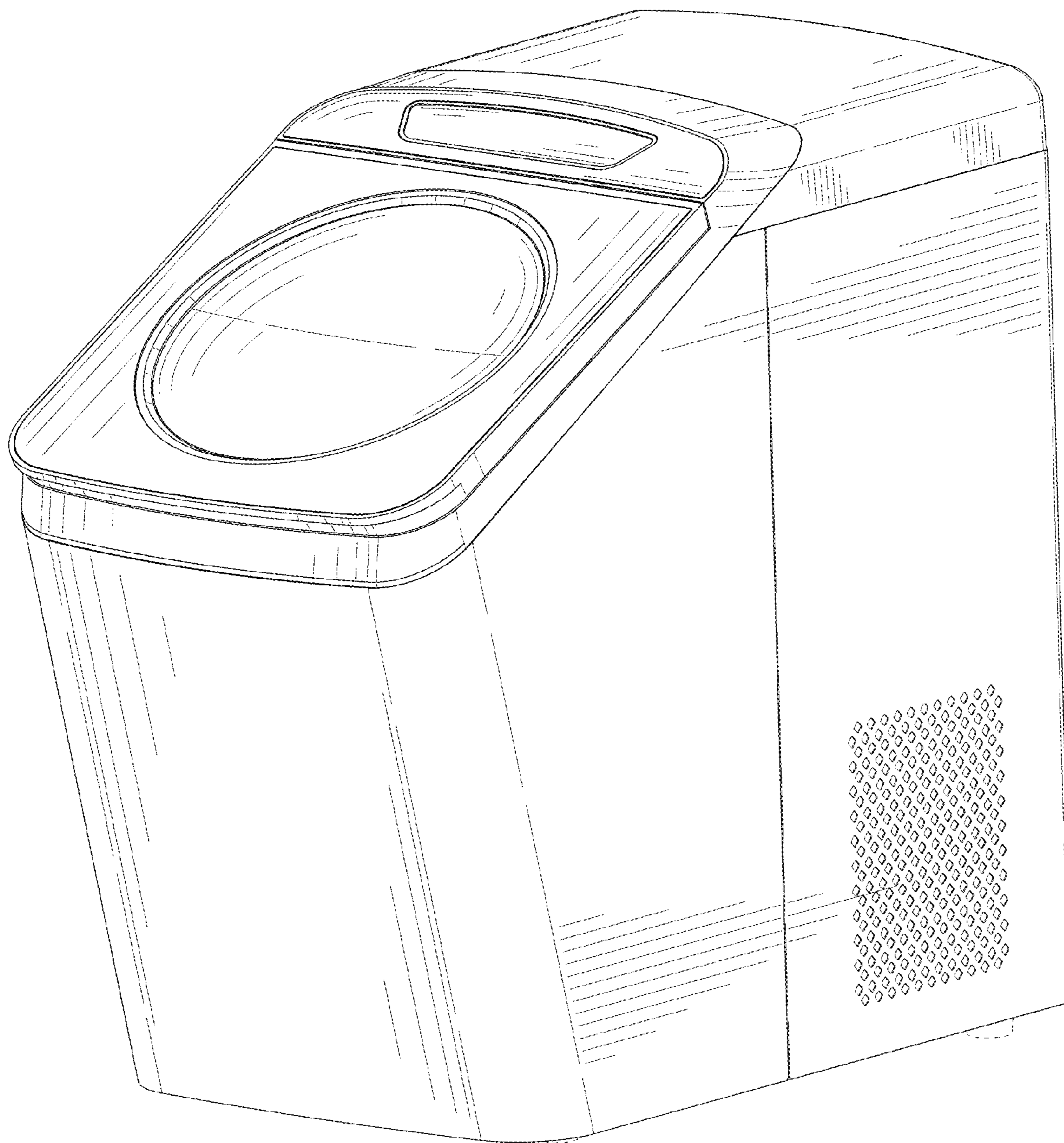


FIG. 1

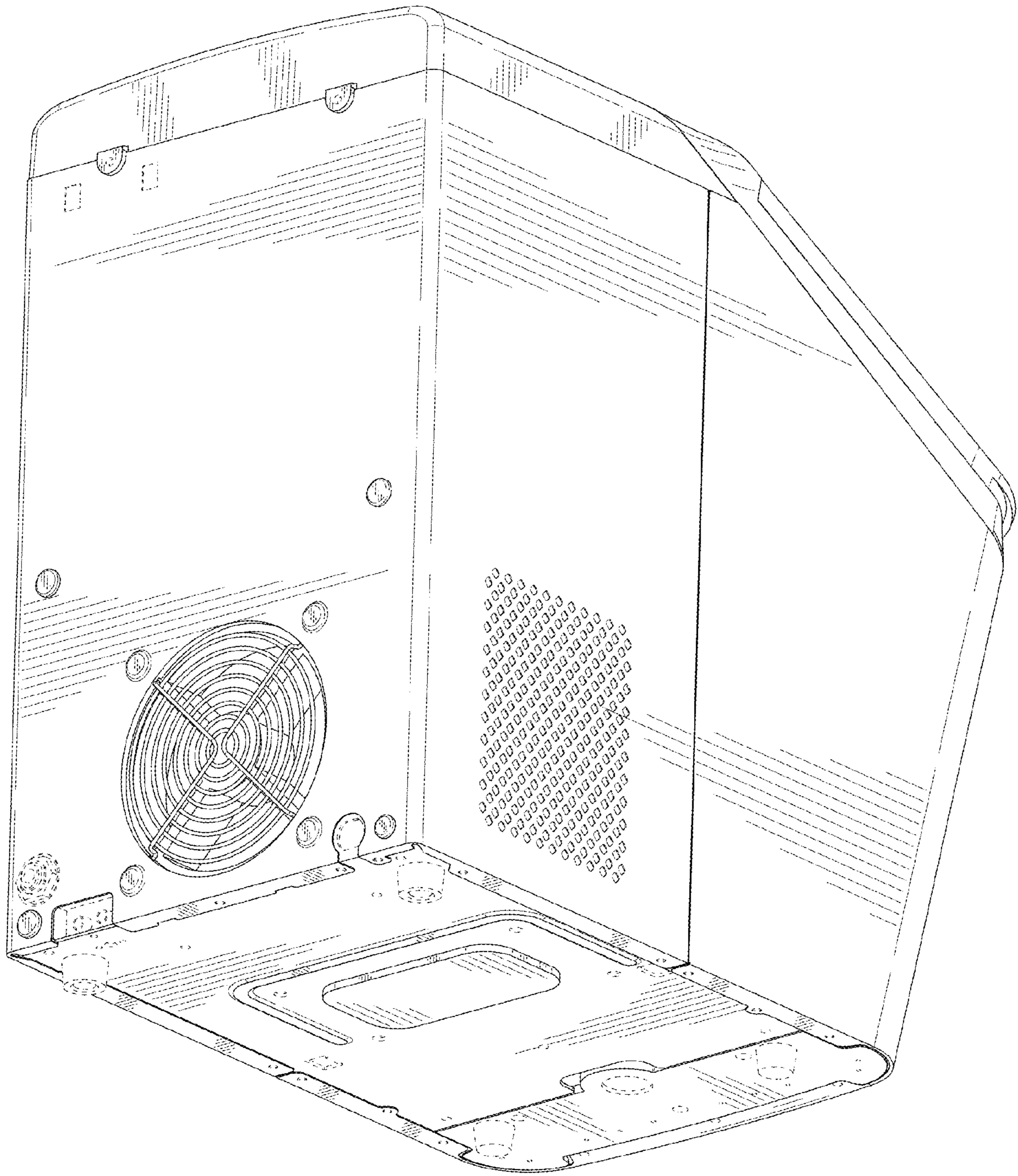


FIG. 2

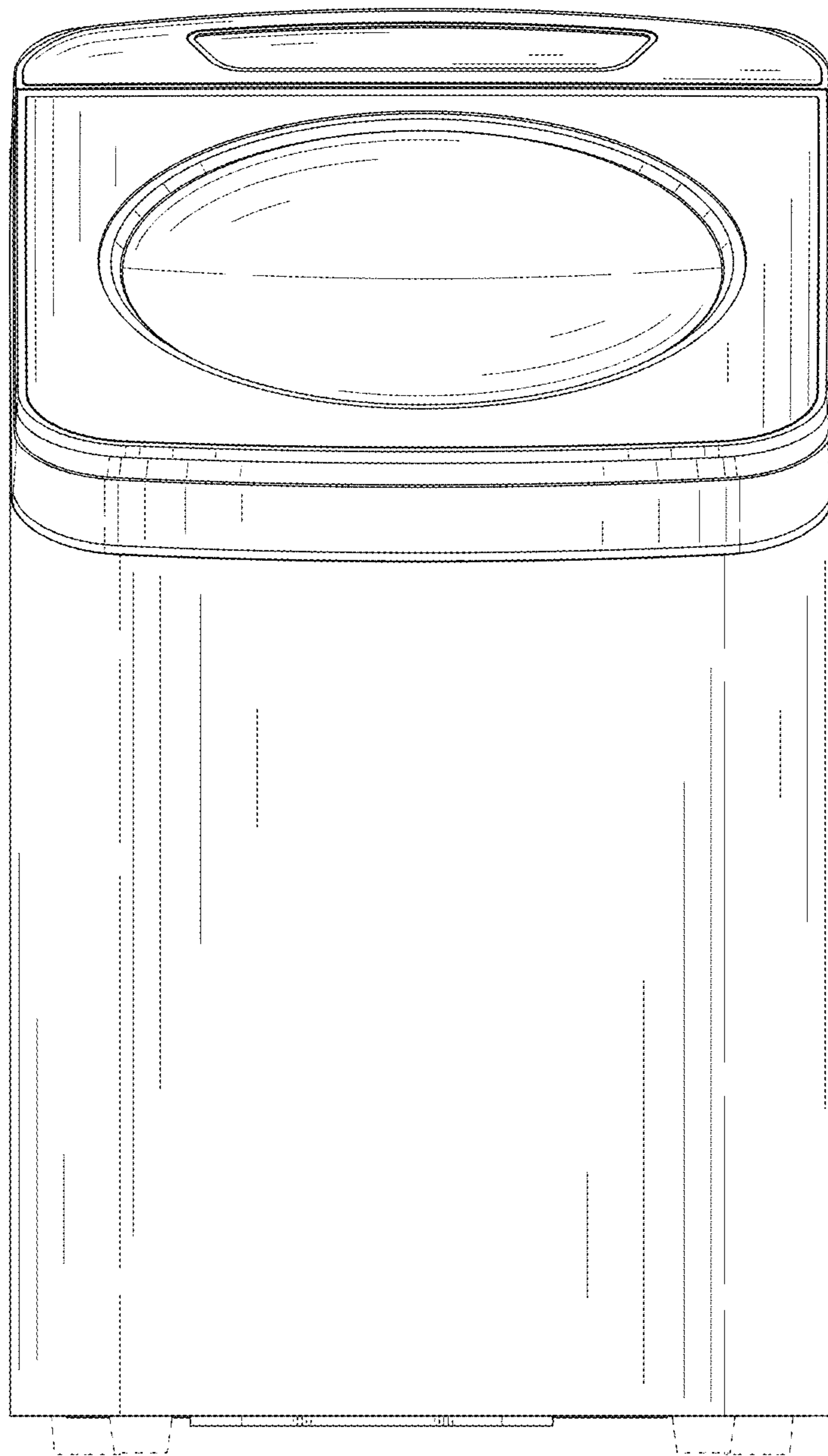


FIG. 3

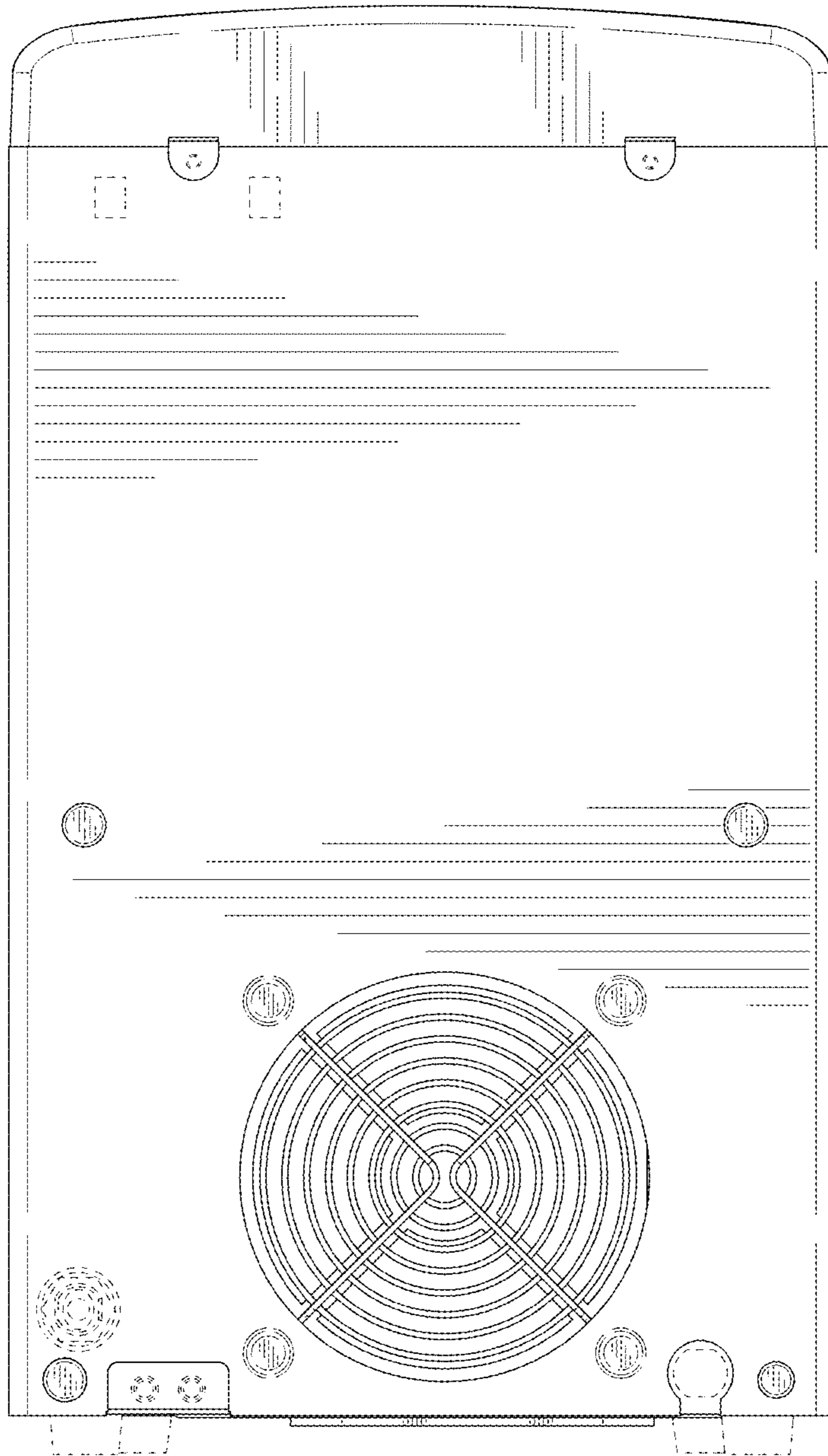


FIG. 4

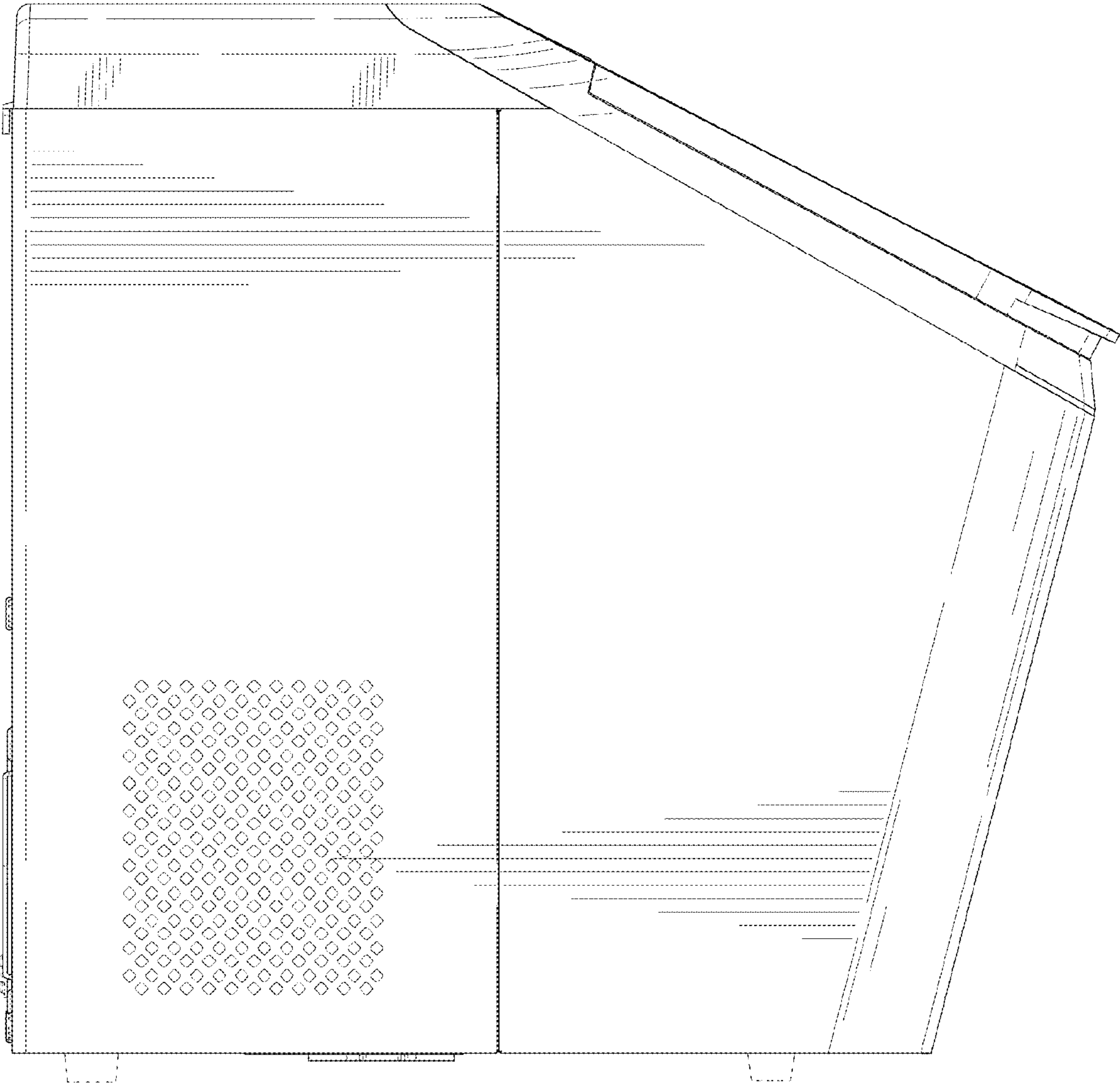


FIG. 5

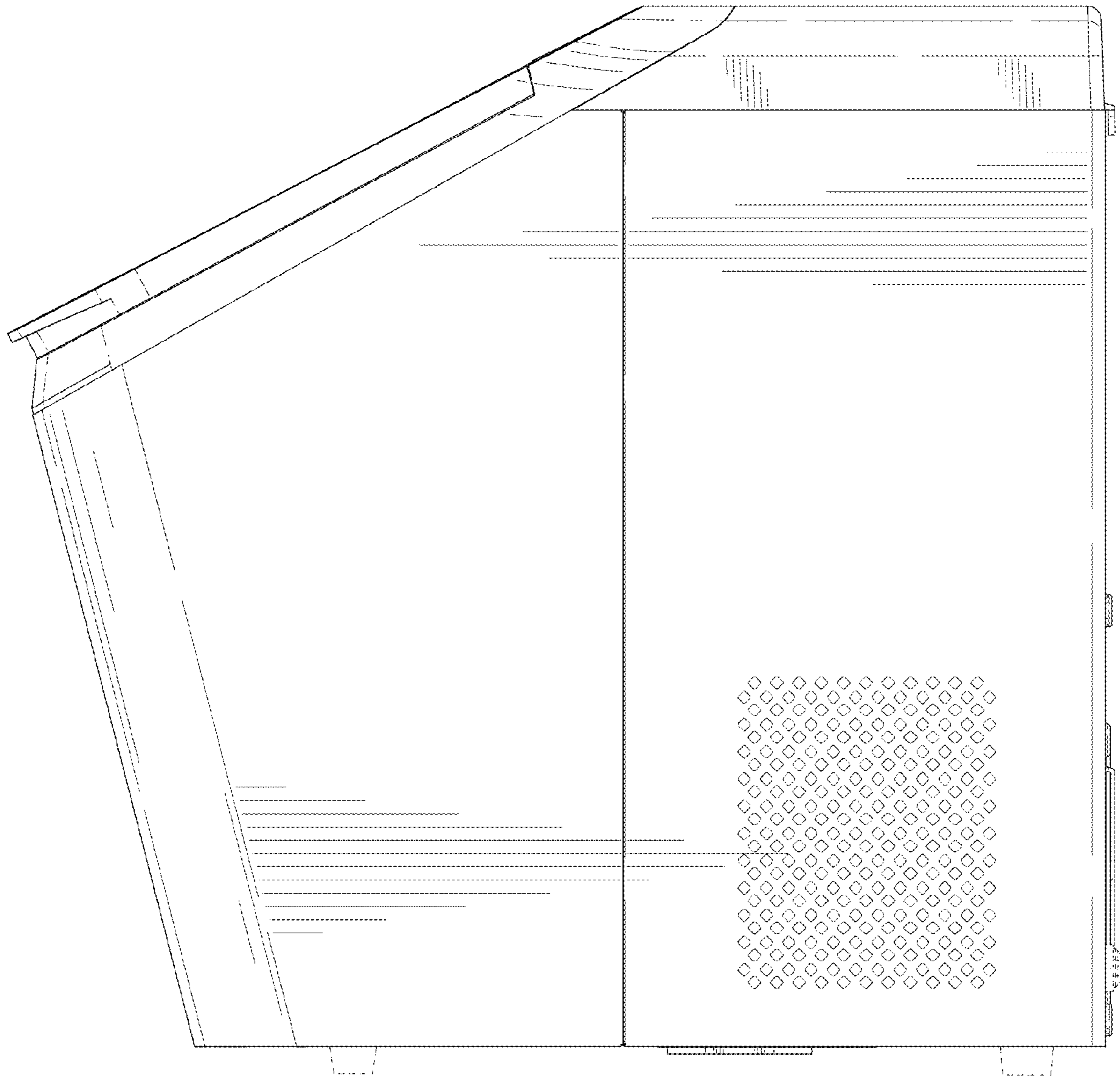


FIG. 6

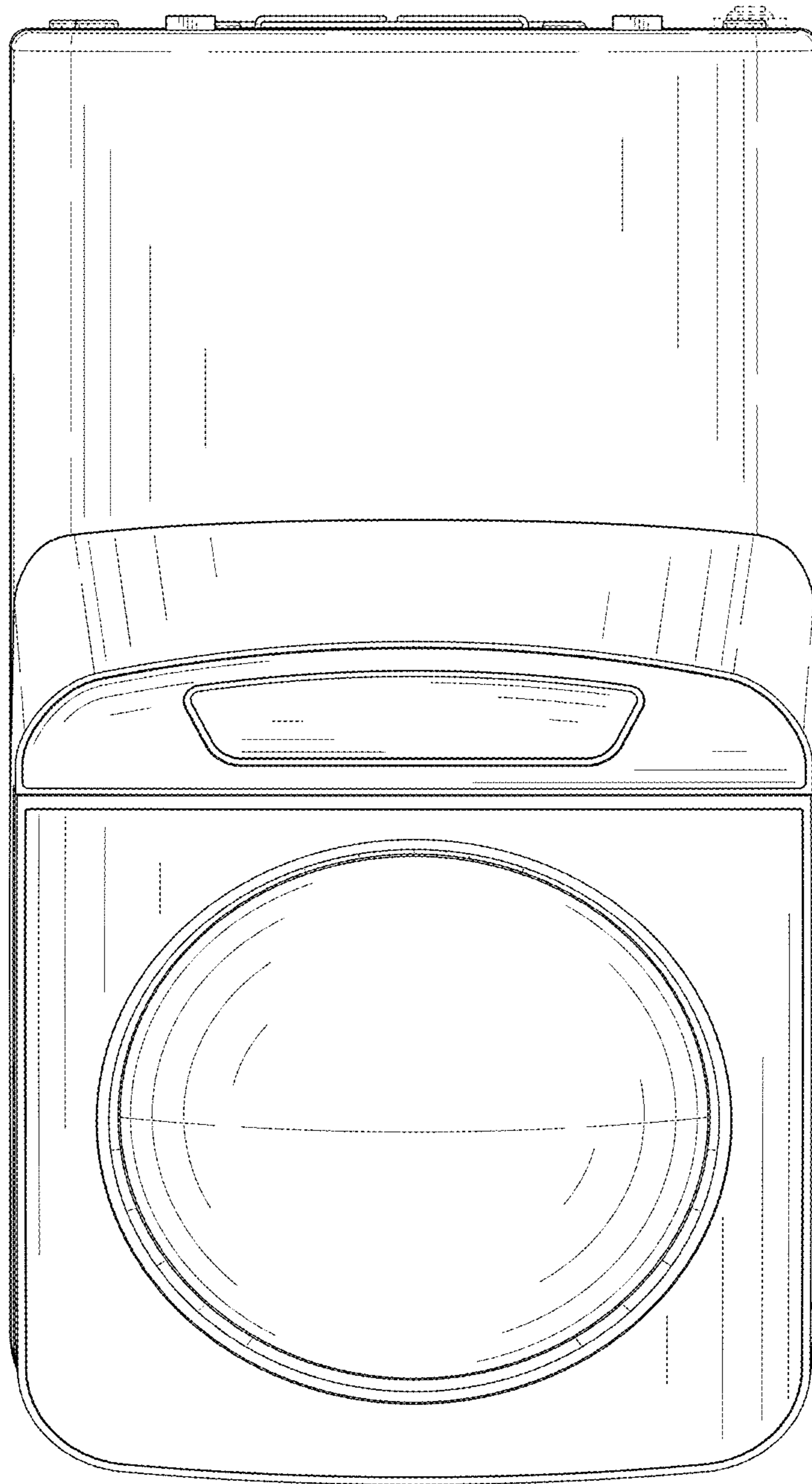


FIG. 7



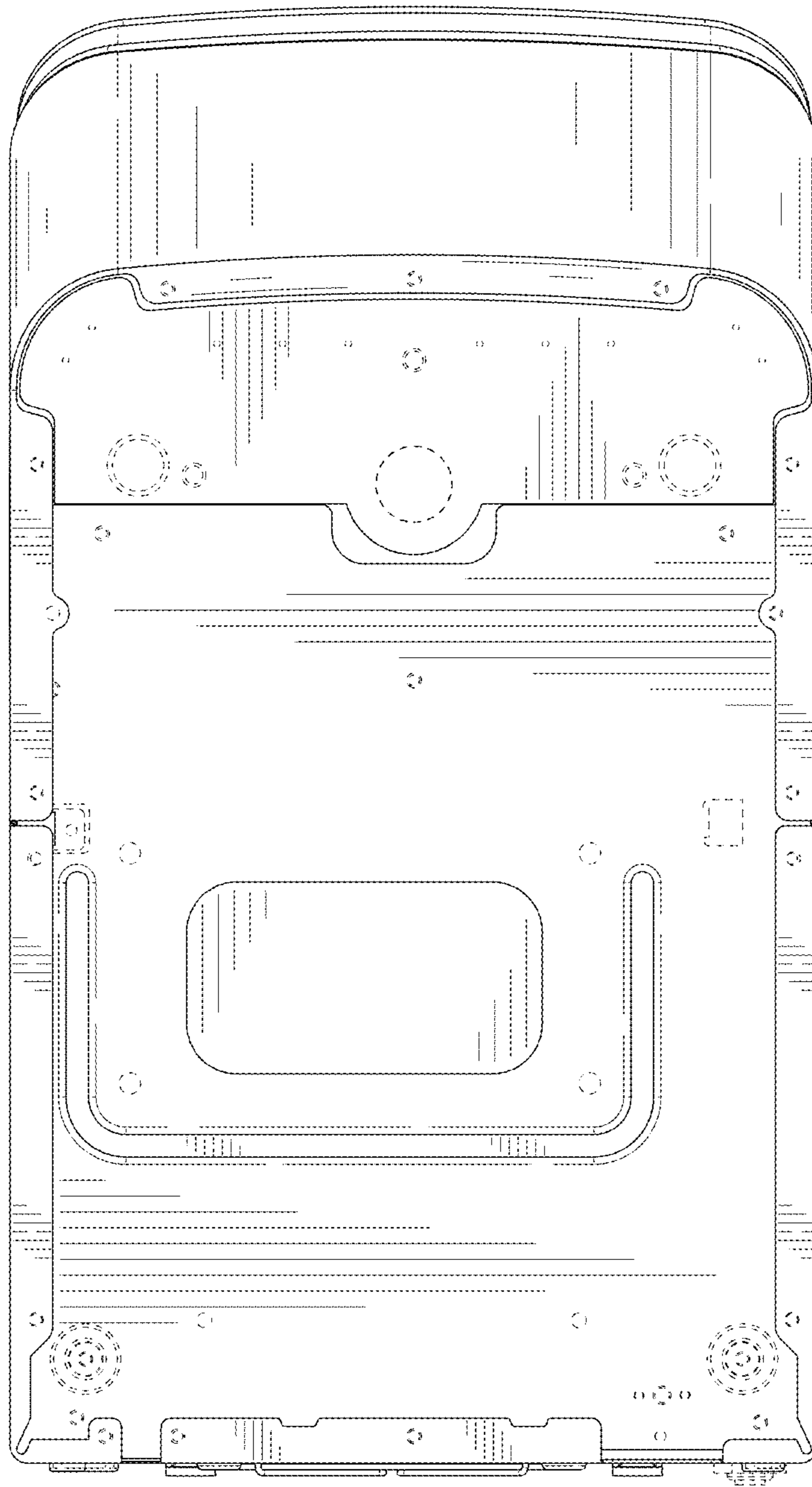


FIG. 8

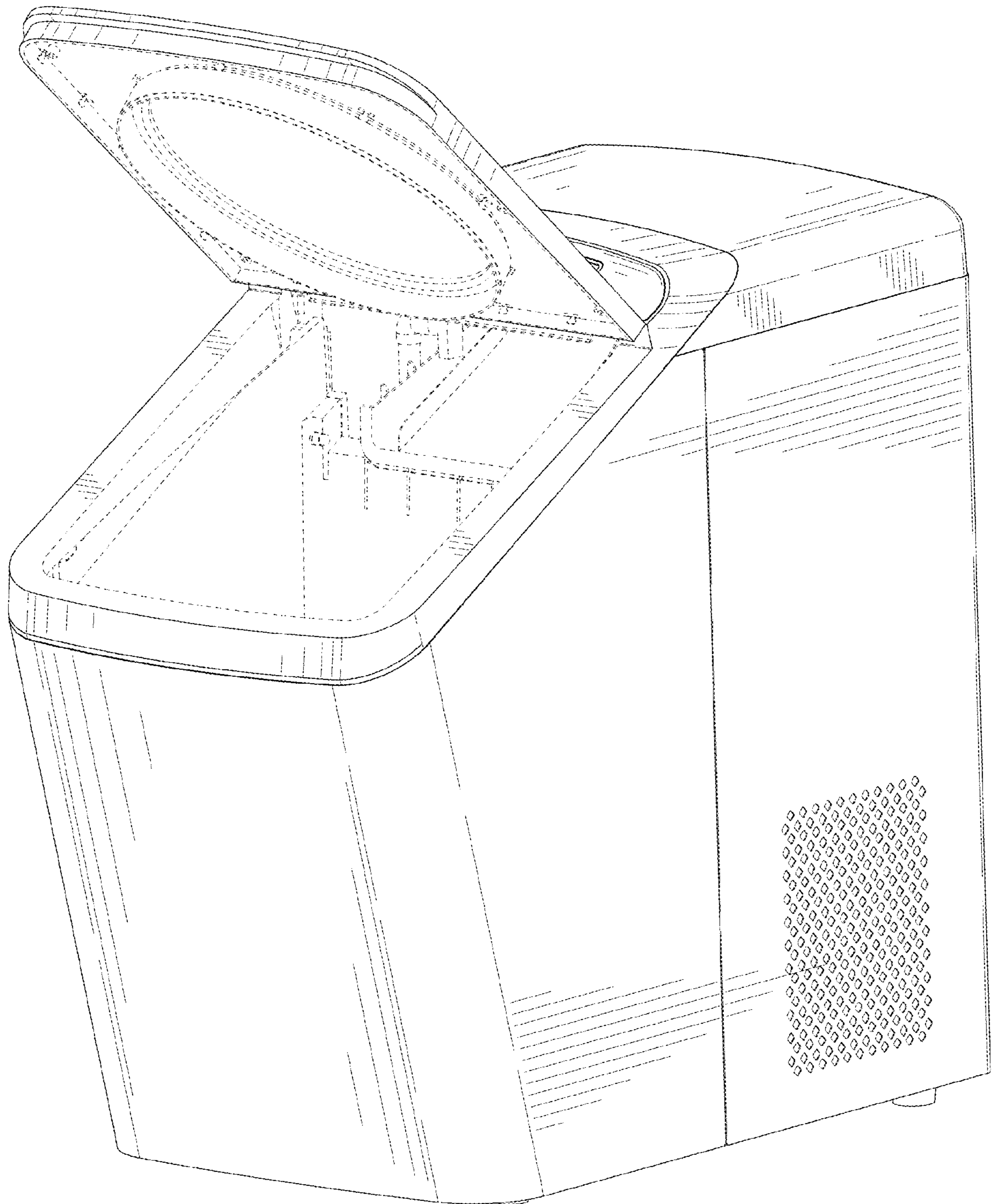


FIG. 9