



US00D971276S

(12) **United States Design Patent**  
**Nottingham et al.**

(10) **Patent No.:** **US D971,276 S**

(45) **Date of Patent:** **\*\* Nov. 29, 2022**

(54) **REFRIGERATED DISPENSING CONTAINER**

(56) **References Cited**

(71) Applicant: **MARS, INCORPORATED**, McLean, VA (US)

U.S. PATENT DOCUMENTS

(72) Inventors: **Bill Nottingham**, Westlake, OH (US);  
**Lindsey Tufts**, Kent, OH (US); **Nick Stanca**, Westlake, OH (US); **Virginia Ice Stewart**, Shaker Heights, OH (US);  
**Carter Calico**, Rogers, AR (US); **Henry Izzo**, Hackettstown, NJ (US);  
**William Frazer**, Burr Ridge, IL (US)

D596,208 S *	7/2009	Cunnane .....	D15/79
D596,651 S *	7/2009	Li .....	D15/79
D607,474 S *	1/2010	Pacher .....	D15/79
D607,475 S *	1/2010	Pacher .....	D15/79
D607,907 S *	1/2010	de Malherbe .....	D15/79
D752,118 S *	3/2016	Resch .....	D15/79
D752,119 S *	3/2016	Resch .....	D15/79
D826,288 S *	8/2018	Resch .....	D15/79
D826,289 S *	8/2018	Resch .....	D15/79

\* cited by examiner

(73) Assignee: **Mars, Incorporated**, McLean, VA (US)

*Primary Examiner* — Khawaja Anwar

(\*\*) Term: **15 Years**

(21) Appl. No.: **29/700,297**

(57) **CLAIM**

(22) Filed: **Aug. 1, 2019**

We claim the ornamental design for a refrigerated dispensing container, as substantially shown and described.

(51) **LOC (13) Cl.** ..... **15-07**

(52) **U.S. Cl.**  
USPC ..... **D15/79**

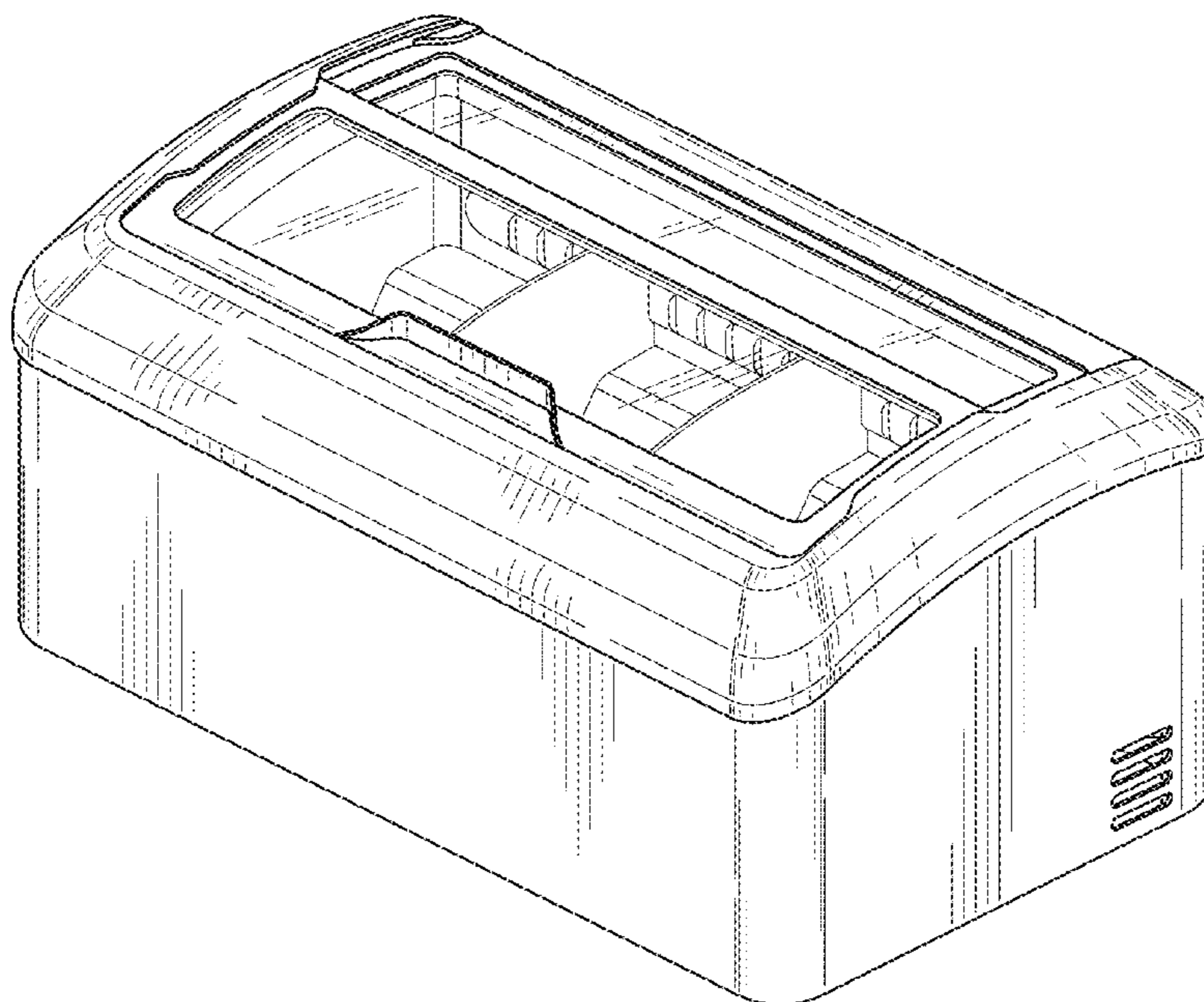
(58) **Field of Classification Search**  
USPC ..... D15/79-91  
CPC .. F25D 11/00; F25D 17/065; F25D 2325/022;  
F25D 23/069; F25D 25/025; F25D 11/02;  
F25D 17/062; F25D 21/12; F25D 21/125;  
F25D 21/14; F25D 2317/061; F25D  
2317/067; F25D 2323/021; F25D  
2323/024; F25D 23/028; F25D 23/04;  
F25D 23/066; F25D 23/085; F25D  
23/087; F25D 23/126; F25D 2400/02;  
F25D 2400/06; F25D 2400/361; F25D  
2400/40; F25D 25/005; F25D 25/02;  
F25D 2600/02; F25D 2700/02; F25D  
2700/12; F25D 2700/121; F25D 2700/14;  
F25D 29/00

See application file for complete search history.

**DESCRIPTION**

FIG. 1 is a perspective view of a refrigerated dispensing container of the present invention.  
FIG. 2 is a front view thereof;  
FIG. 3 is a back view thereof;  
FIG. 4 is a right side view thereof;  
FIG. 5 is a left side view thereof;  
FIG. 6 is a top side view thereof;  
FIG. 7 is a bottom side view thereof; and,  
FIG. 8 is a perspective view with the lid in an open position.  
The broken lines shown in the drawings represent unclaimed portions of the refrigerated dispensing container and form no part of the claimed design.

**1 Claim, 8 Drawing Sheets**



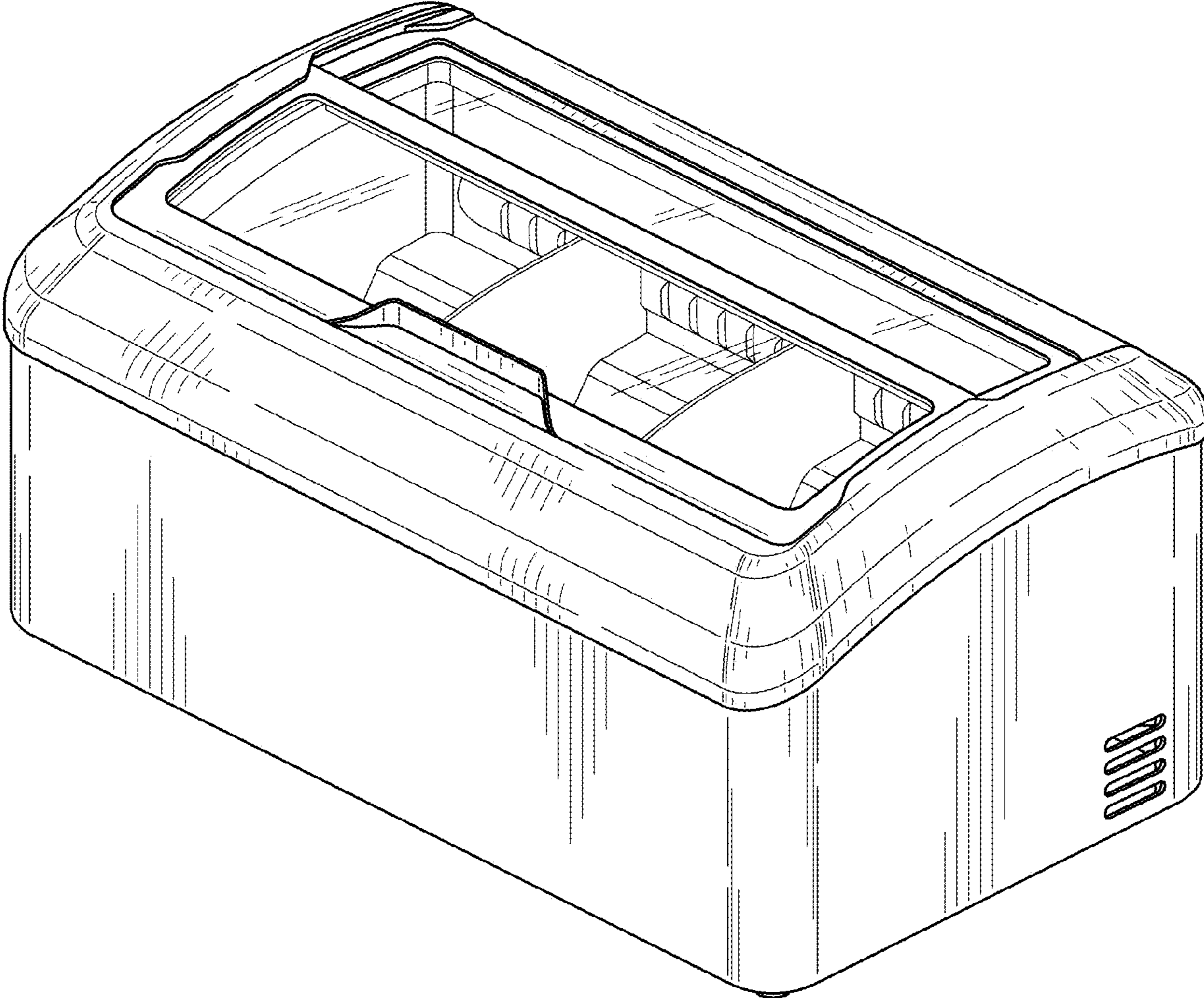


FIG. 1

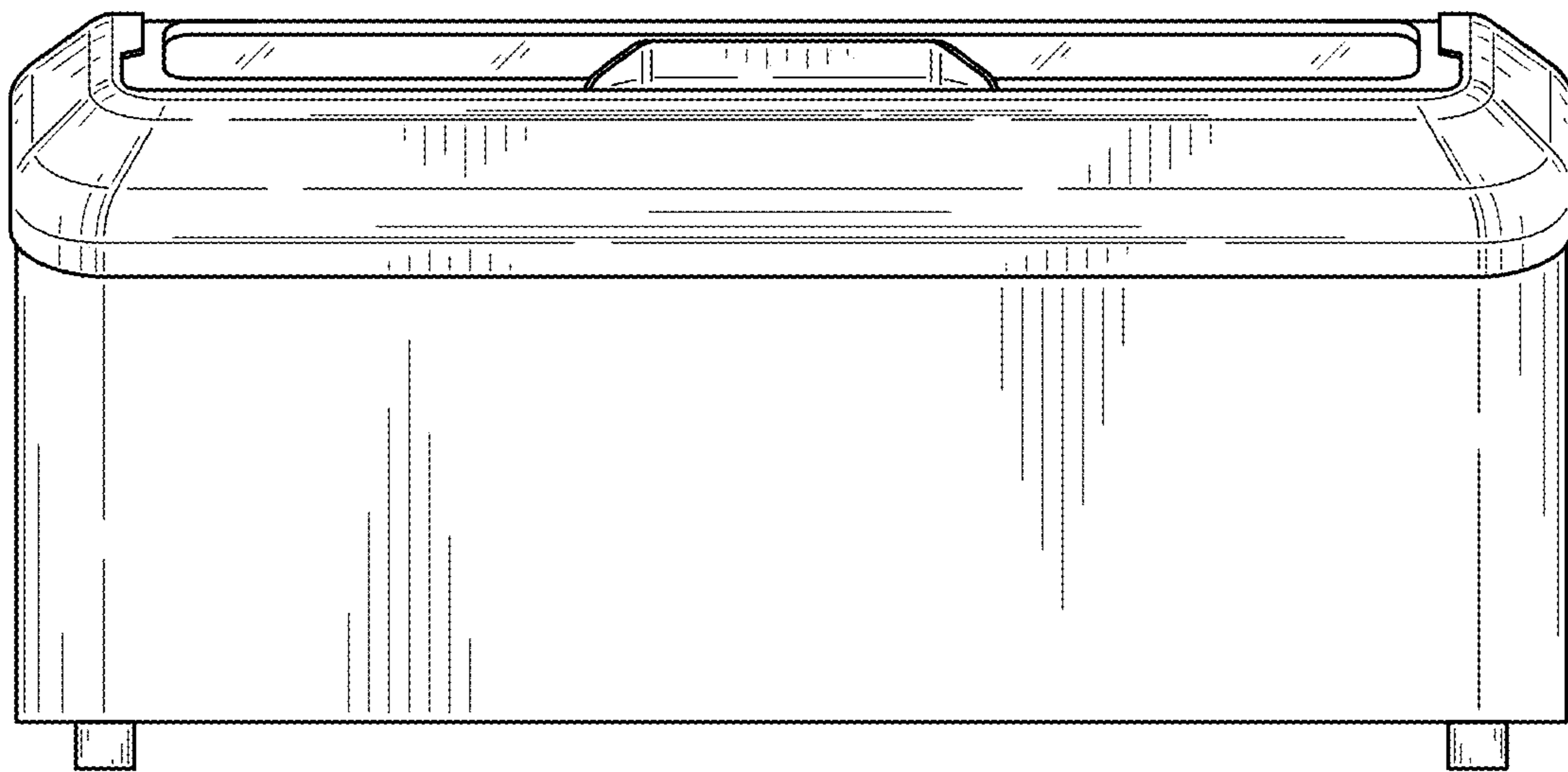


FIG. 2

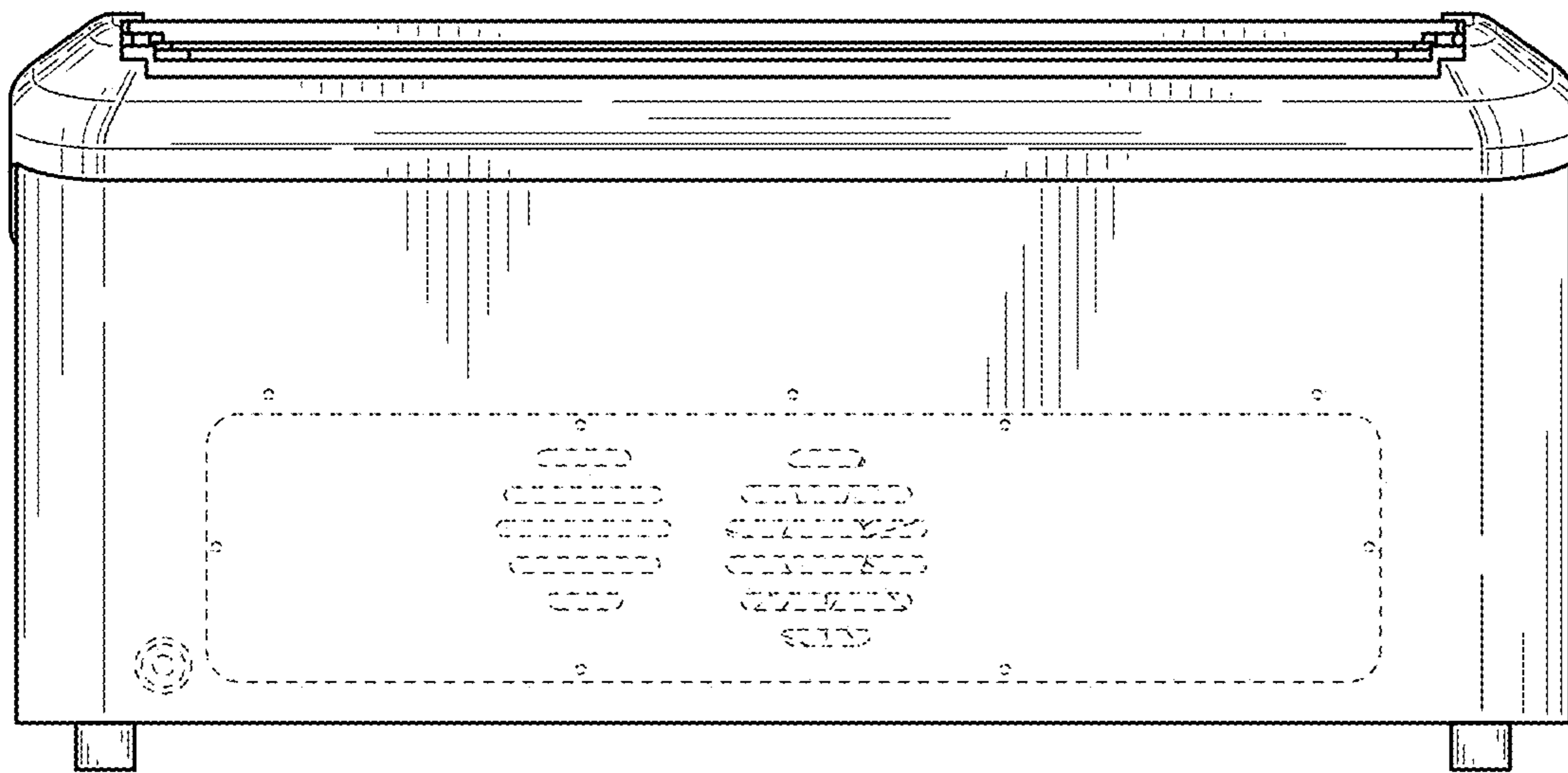


FIG. 3

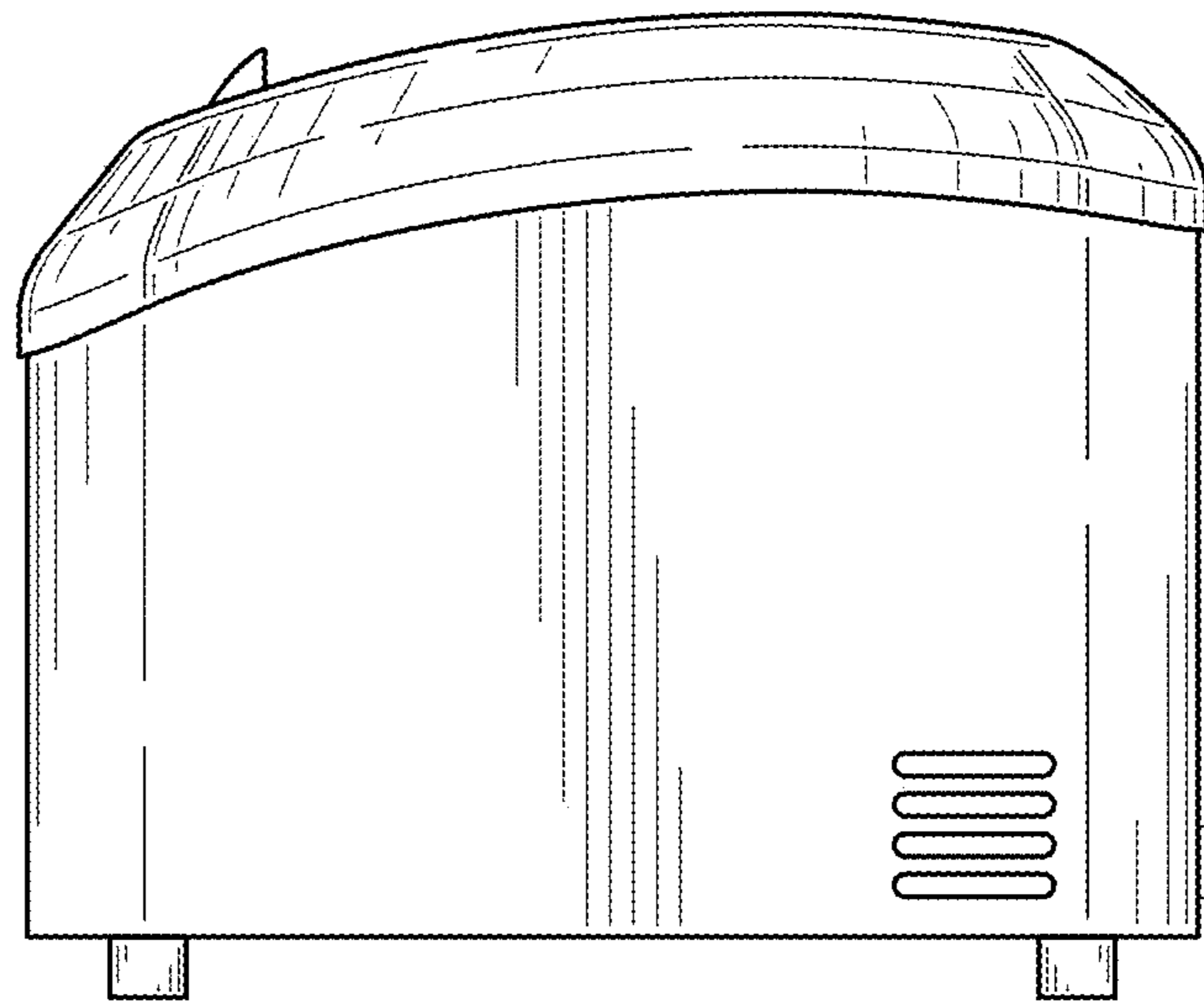


FIG. 4

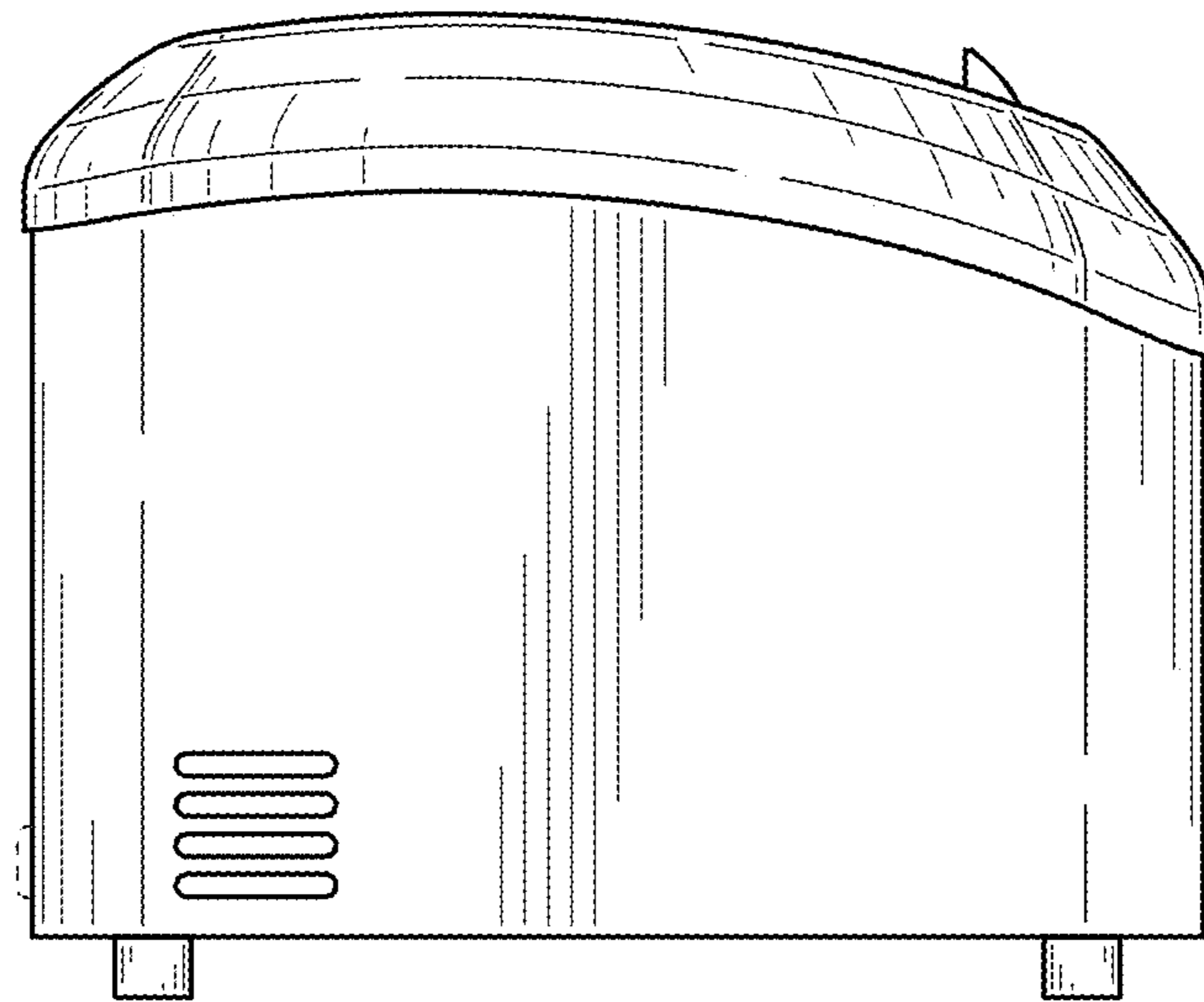


FIG. 5

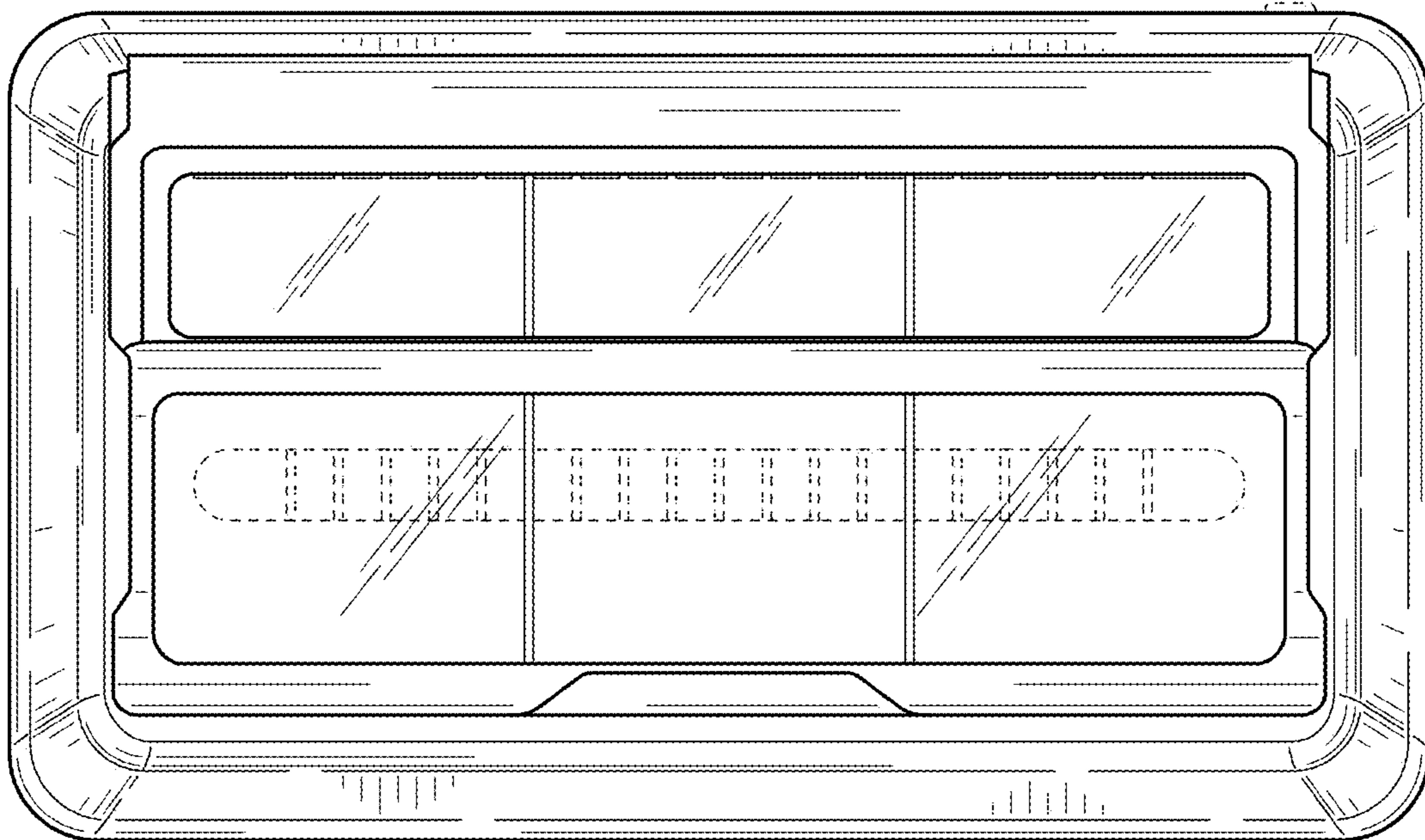


FIG. 6

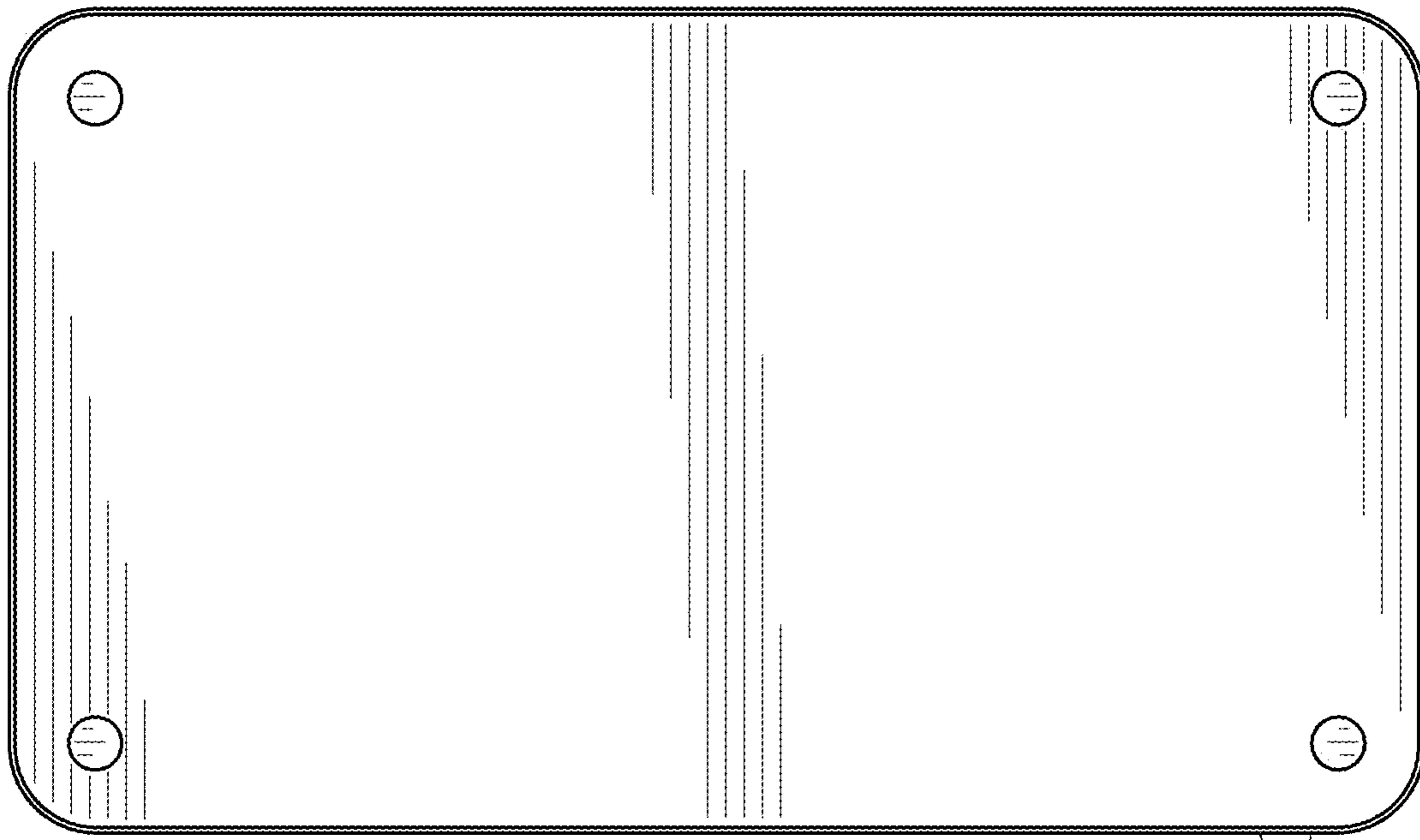


FIG. 7



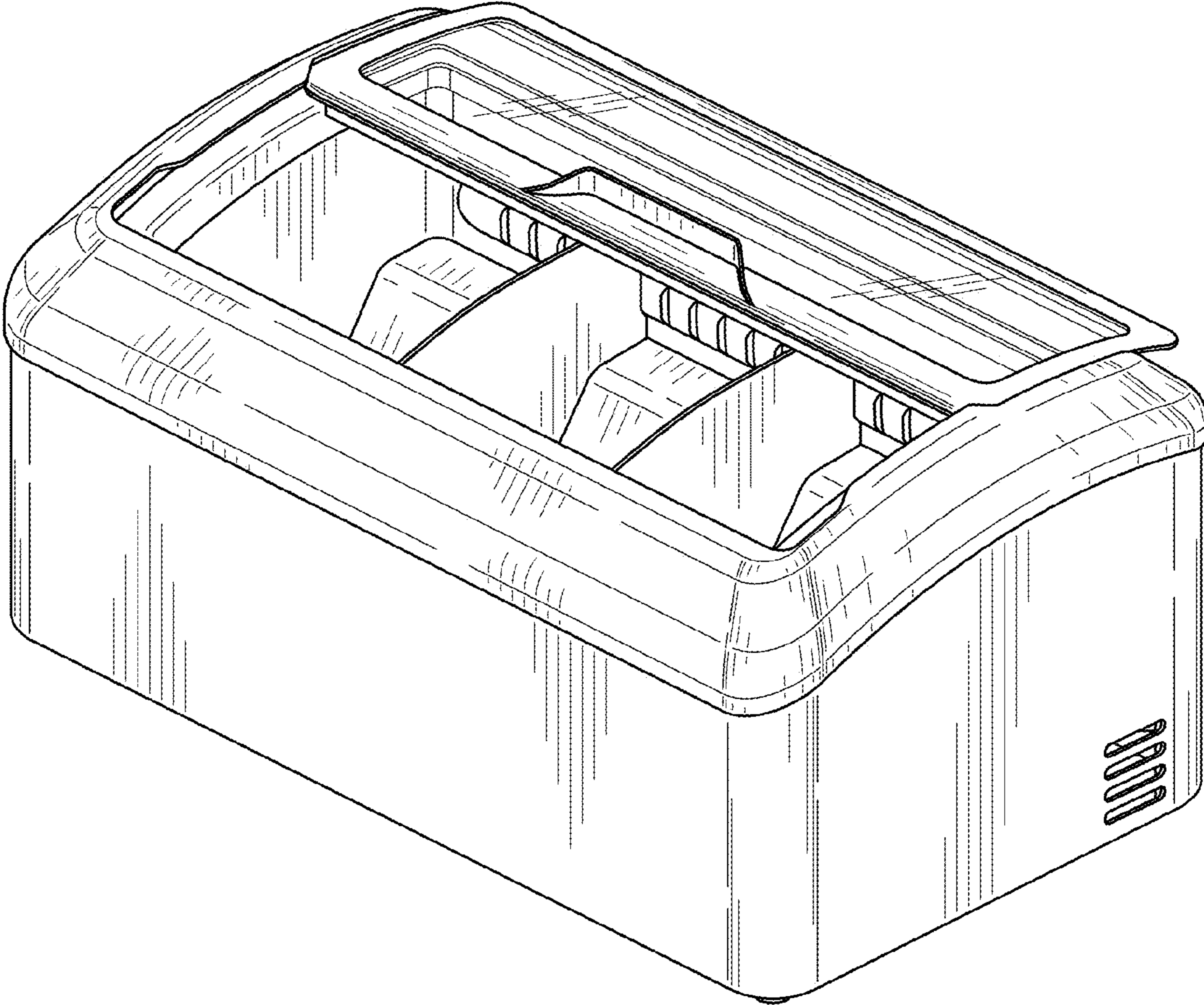


FIG. 8