



US00D971275S

(12) **United States Design Patent** (10) **Patent No.:** **US D971,275 S**
Barea (45) **Date of Patent:** **** Nov. 29, 2022**

(54) **YARN FEEDER**
(71) Applicant: **BTSR INTERNATIONAL S.P.A.**,
Olgiate Olona (IT)
(72) Inventor: **Tiziano Barea**, Busto Arsizio (IT)
(73) Assignee: **BTSR INTERNATIONAL S.P.A.**,
Olgiate Olona (IT)

D315,914 S * 4/1991 Chen D15/78
D463,463 S * 9/2002 Zenoni D15/78
D772,958 S * 11/2016 Lonati D15/78
D781,928 S * 3/2017 Ng D15/66
D781,929 S * 3/2017 Ng D15/66
9,656,830 B2 * 5/2017 Barea D04B 15/482
D794,683 S * 8/2017 Barea D15/78
D794,715 S * 8/2017 Barea D15/78

(**) Term: **15 Years**
(21) Appl. No.: **35/512,388**

FOREIGN PATENT DOCUMENTS

CN 307003448 * 12/2021
EM 008448005-0001 * 3/2021
IN 227675-0001 * 3/2010
JP D1717368 * 6/2022
WO D215725-001 * 8/2021

(22) Filed: **Aug. 4, 2021**

* cited by examiner

(80) **Hague Agreement Data**

Primary Examiner — Mitchell I. Siegel

Int. Filing Date: **Aug. 4, 2021**
Int. Reg. No.: **DM/215725**
Int. Reg. Date: **Aug. 4, 2021**
Int. Reg. Pub. Date: **Aug. 20, 2021**

(74) *Attorney, Agent, or Firm* — Vorys, Sater, Seymour
and Pease LLP

(51) **LOC (13) Cl.** **15-06**

(57) **CLAIM**

The ornamental design for a yarn feeder, as shown and
described.

(52) **U.S. Cl.**

DESCRIPTION

USPC **D15/78**

(58) **Field of Classification Search**

USPC D21/66, 72, 78
CPC D04B 15/48; B65H 51/22; B65H 51/30;
B65H 59/00; B65H 59/10; B65H 59/18;
B65H 59/38

1. Yarn feeder
1.1 : Perspective
1.2 : Front
1.3 : Left
1.4 : Back
1.5 : Right
1.6 : Bottom
1.7 : Top

See application file for complete search history.

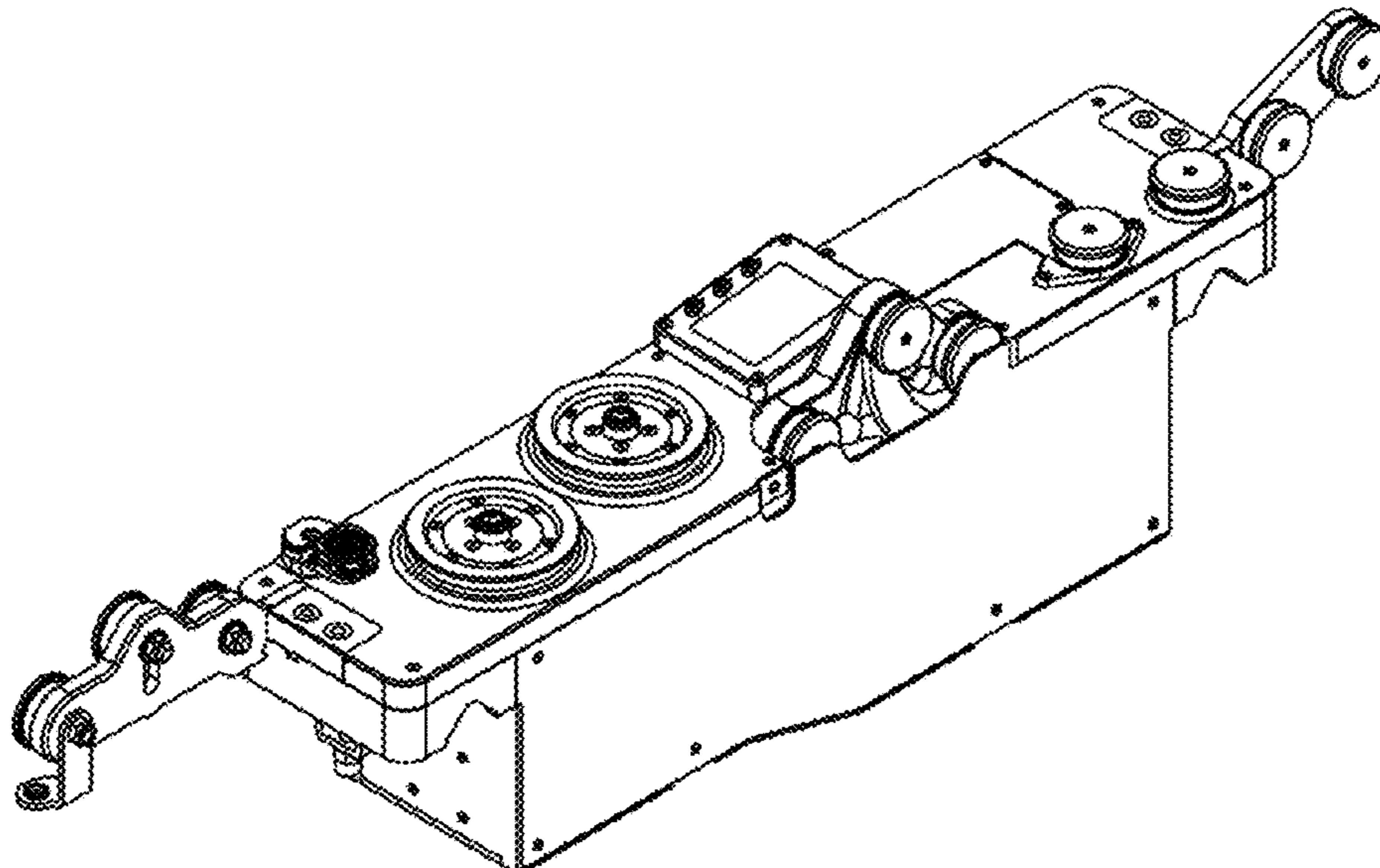
Fig. **1.1**. is a perspective view of a yarn feeder; Fig. **1.2** is
a front view thereof; Fig. **1.3** is a left side view thereof; Fig.
1.4 is a back view thereof; Fig. **1.5** is a right side view
thereof; Fig. **1.6** is a bottom view thereof; Fig. **1.7** is a top
view thereof.

(56) **References Cited**

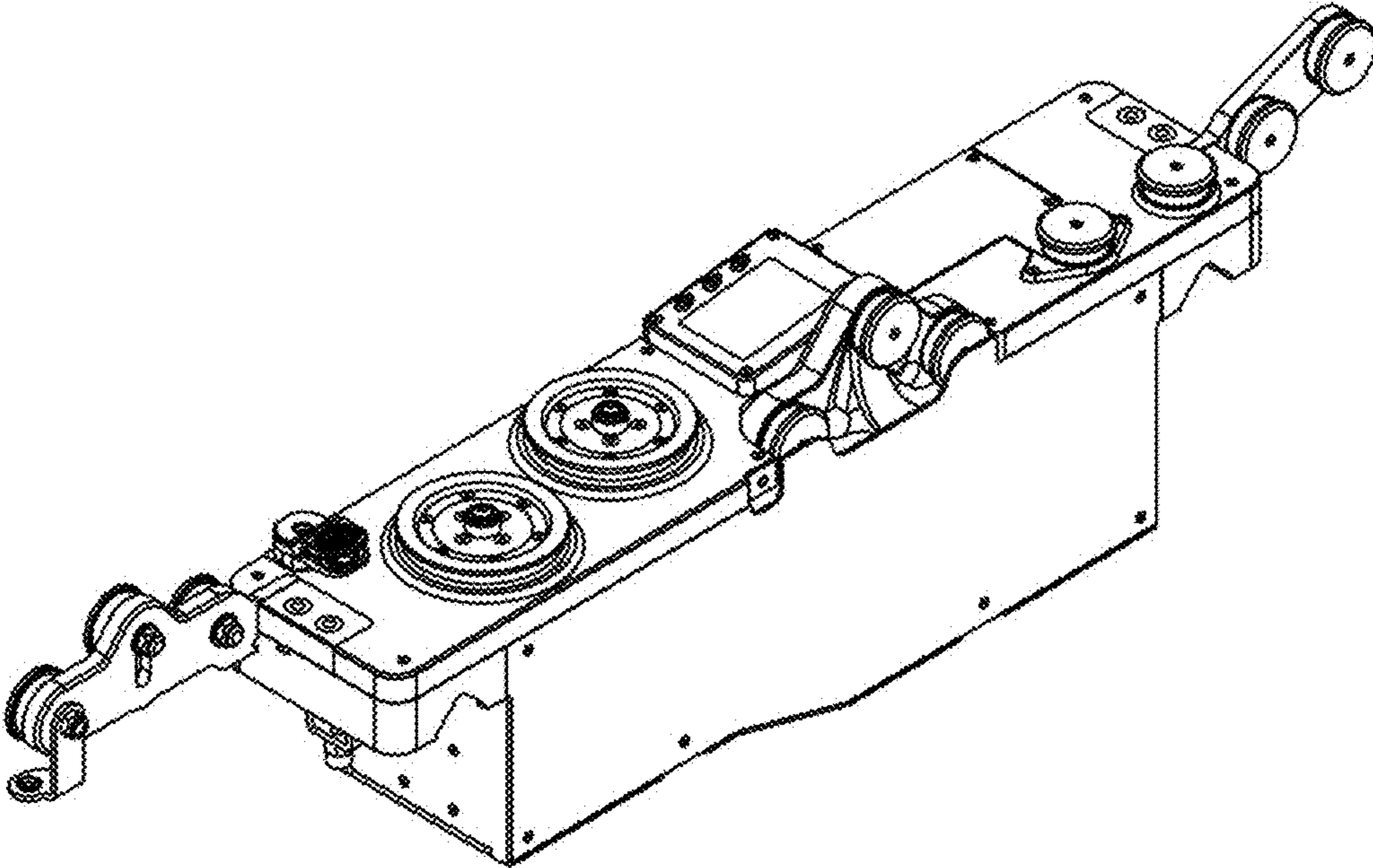
U.S. PATENT DOCUMENTS

D229,237 S * 11/1973 Schumacher D15/72
D267,010 S * 11/1982 Jacobsson D15/78
D289,174 S * 4/1987 Van Wilson D15/78
D291,446 S * 8/1987 Van Wilson D15/78
D309,315 S * 7/1990 Maina D15/78
D309,614 S * 7/1990 Maina D15/78

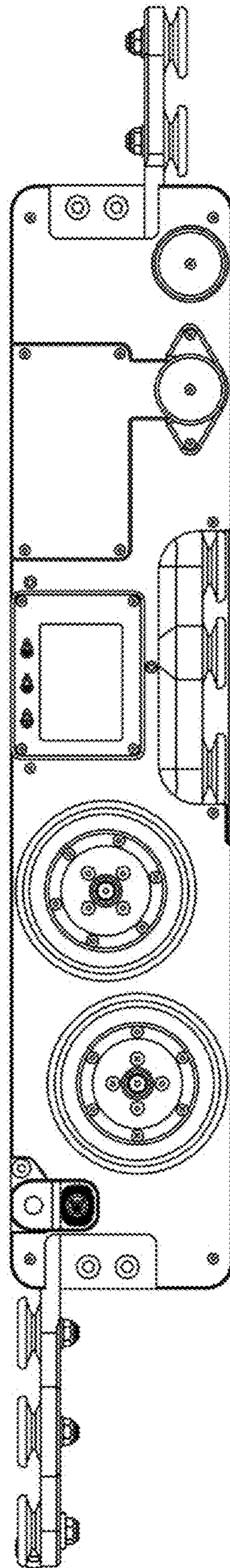
1 Claim, 7 Drawing Sheets



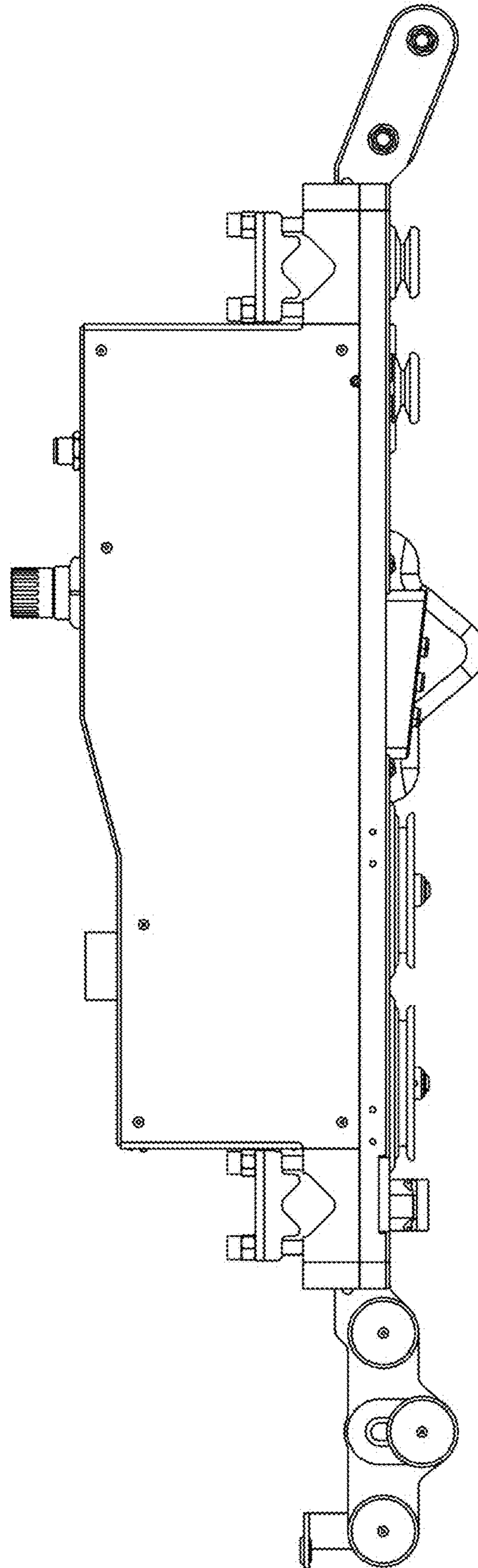
1.1



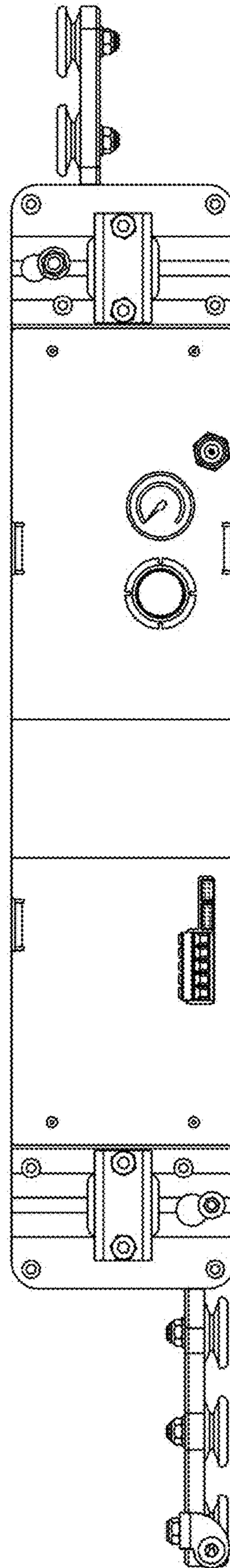
1.2



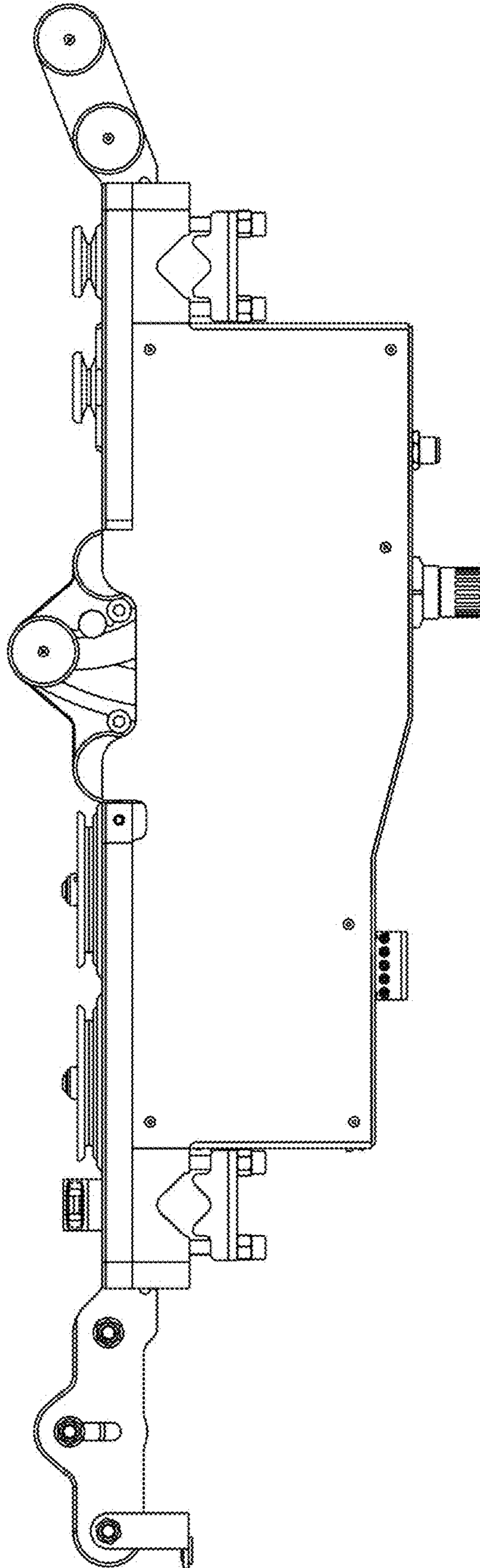
1.3



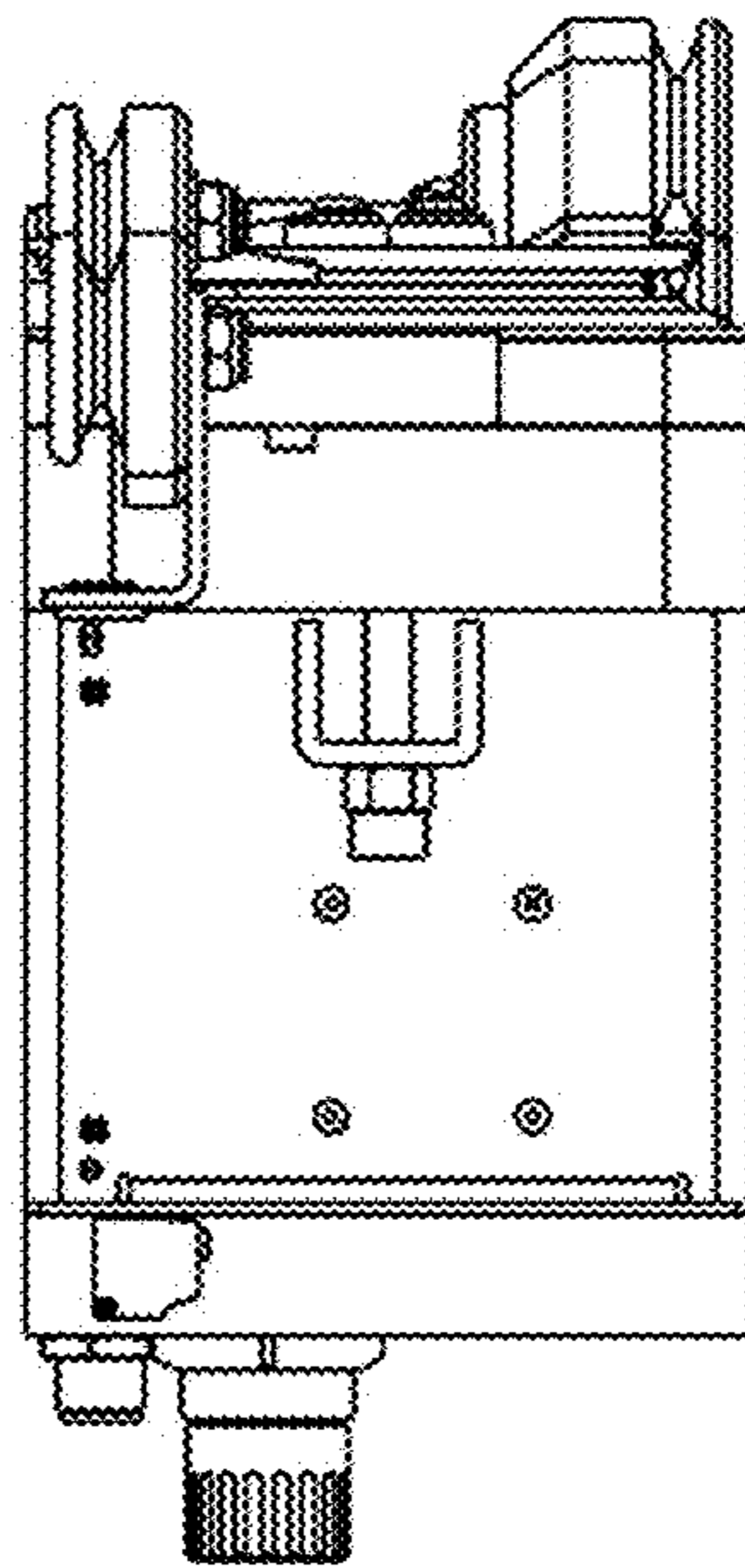
1.4



1.5



1.6



1.7

