



US00D971274S

(12) **United States Design Patent** (10) **Patent No.:** **US D971,274 S**
Penmetsa et al. (45) **Date of Patent:** **** Nov. 29, 2022**

(54) **ILLUMINATED TRACTOR**

(74) *Attorney, Agent, or Firm* — Rathe Lindenbaum LLP

(71) Applicant: **Zimeno, Inc.**, Livermore, CA (US)

(72) Inventors: **Praveen V. Penmetsa**, Newark, CA (US); **Zachary M. Omohundro**, Carson, CA (US); **Cole Connelly Jacob Mishler**, San Francisco, CA (US)

(57) **CLAIM**

We claim the ornamental design for an illuminated tractor, as shown and described.

(73) Assignee: **Zimeno, Inc.**, Livermore, CA (US)

DESCRIPTION

(**) Term: **15 Years**

(21) Appl. No.: **29/798,016**

(22) Filed: **Jul. 5, 2021**

(51) **LOC (13) Cl.** **15-03**

(52) **U.S. Cl.**
USPC **D15/28**

(58) **Field of Classification Search**
USPC D15/10, 23-26, 28, 29, 31, 32;
D26/28-36, 120, 122, 139

(Continued)

(56) **References Cited**

U.S. PATENT DOCUMENTS

D447,153 S * 8/2001 Hornung D15/17
8,115,334 B2 * 2/2012 Vyas B60L 15/2045
307/10.1

(Continued)

FOREIGN PATENT DOCUMENTS

WO WO2012154990 11/2012
WO WO2014033467 3/2014

OTHER PUBLICATIONS

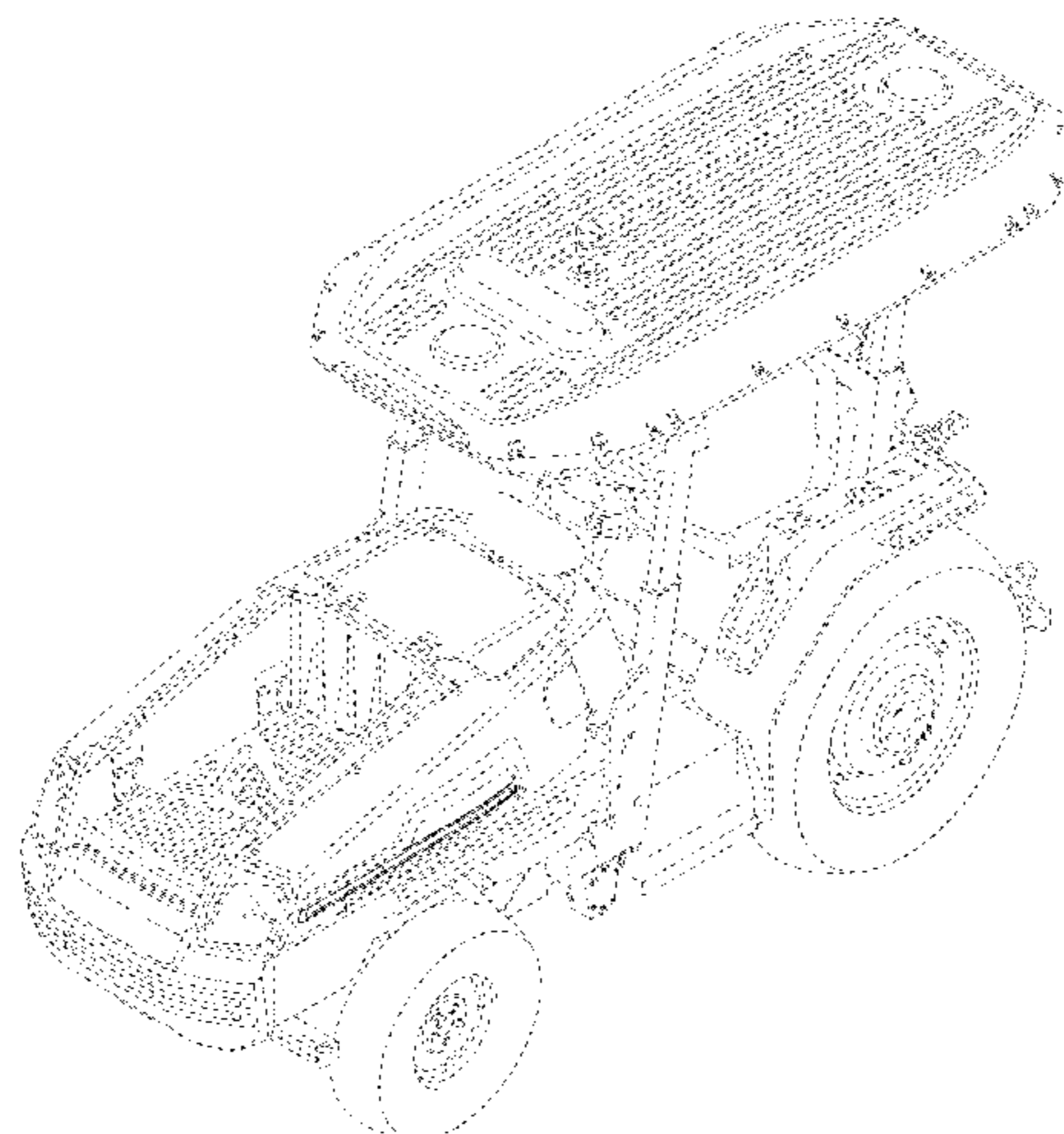
International Search Report for PCT/US15/21339 dated Aug. 20, 2015.

Primary Examiner — Mark A Goodwin

FIG. 1 is a left side front perspective view of an illuminated tractor;
FIG. 2 is a right side front perspective view thereof;
FIG. 3 is a right side rear perspective view thereof;
FIG. 4 is a left side rear perspective view thereof;
FIG. 5 is a front view thereof;
FIG. 6 is a rear view thereof;
FIG. 7 is a right side view thereof;
FIG. 8 is a left side view thereof;
FIG. 9 is a top view thereof;
FIG. 10 is a bottom view thereof;
FIG. 11 is a top sectional view thereof taken along line 11-11 of FIG. 5;
FIG. 12 is a left side front perspective view thereof with the illuminated tractor in an illuminated state;
FIG. 13 is a right side front perspective view thereof with the illuminated tractor in an illuminated state;
FIG. 14 is a right side rear perspective view thereof with the illuminated tractor in an illuminated state;
FIG. 15 is a left side rear perspective view thereof with the illuminated tractor in an illuminated state;
FIG. 16 is a right side view thereof with the illuminated tractor in an illuminated state; and,
FIG. 17 is a left side view thereof with the illuminated tractor in an illuminated state.

The ornamental design which is claimed is shown in solid lines in the drawings. The dashed broken lines in the drawings illustrate environmental structure and form no part of the claimed design. The stippling in FIGS. 12-17 is shown to illustrate contrasting surfaces, a contrast between surfaces that are illuminated through the emission of light and surfaces not illuminated. The radiating broken lines shown

(Continued)



in FIGS. 12-17 represent visible light being emitted by the illuminated surfaces (shown with stippling) in the illuminated state.

1 Claim, 17 Drawing Sheets

(58) Field of Classification Search

CPC .. B60K 11/08; B60K 11/04; F01P 5/06; F01P 11/10; F01P 2001/005; B60Y 2200/221
See application file for complete search history.

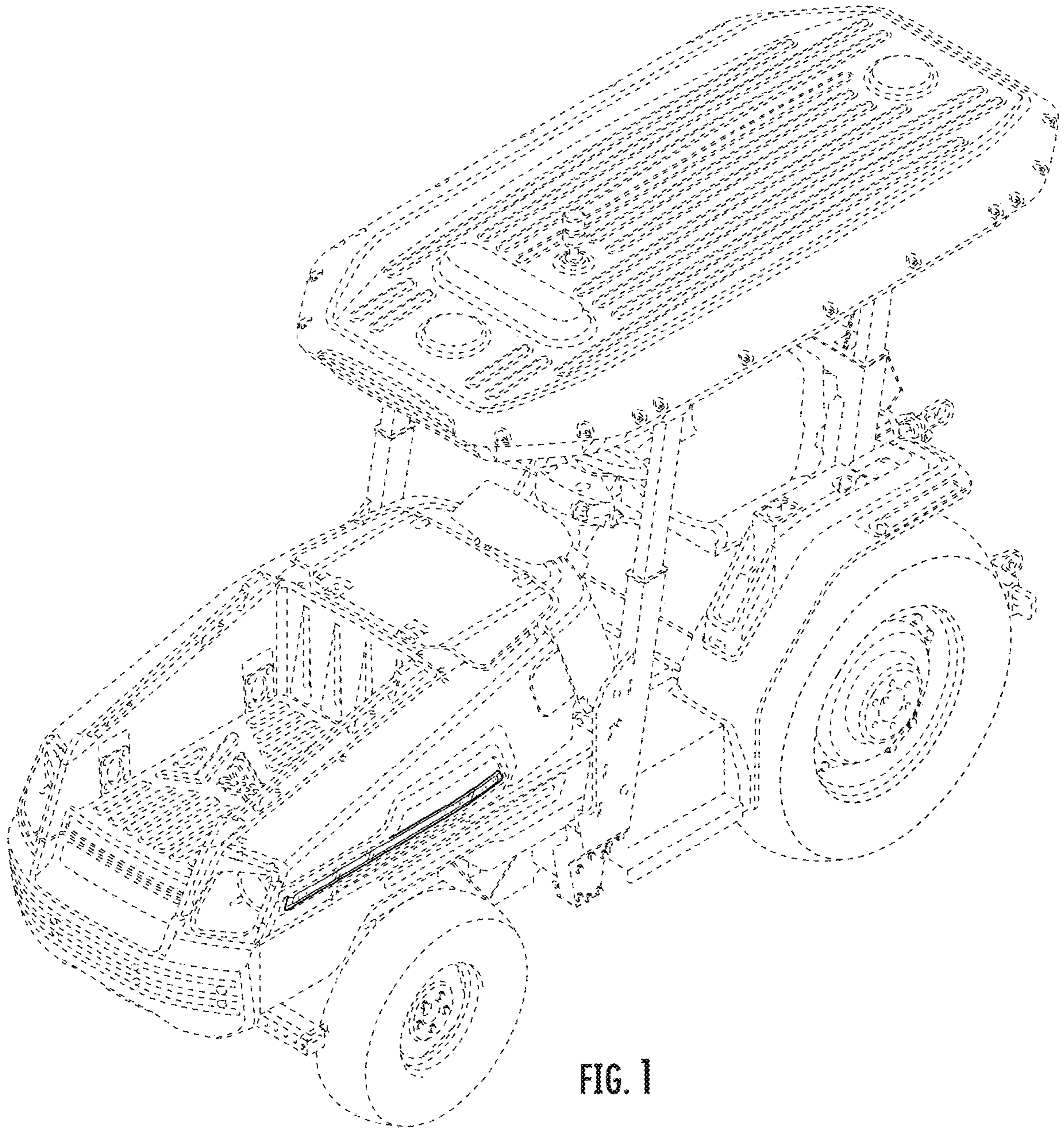
(56) References Cited

U.S. PATENT DOCUMENTS

D663,753 S * 7/2012 Hickman D15/31
D707,730 S * 6/2014 Jackson D15/31
D753,195 S * 4/2016 Jackson D15/31
D756,421 S * 5/2016 Okuyama D15/26
D777,215 S * 1/2017 Moritaka D15/26
D783,059 S * 4/2017 Okuyama D15/23

D785,050 S * 4/2017 Okuyama D15/26
D785,051 S * 4/2017 Okuyama D15/26
D799,562 S * 10/2017 Okuyama D15/31
D836,806 S * 12/2018 Niclot D26/28
D909,425 S * 2/2021 Park D15/31
D926,826 S * 8/2021 Penmetsa D15/28
D928,204 S * 8/2021 Huenink D15/31
D942,513 S * 2/2022 Lee D15/28
11,447,036 B2 * 9/2022 Honjo H01M 10/63
11,448,231 B2 * 9/2022 Hong F04D 29/326
2006/0145536 A1 * 7/2006 Hackl H02J 7/1423
307/10.1
2014/0021779 A1 * 1/2014 Teichmann B60L 3/0069
307/151
2014/0368170 A1 * 12/2014 Tang B60L 1/006
320/137
2014/0375272 A1 * 12/2014 Johnsen B60L 58/19
320/136
2015/0162784 A1 * 6/2015 Kydd B60L 53/20
307/9.1
2015/0266382 A1 * 9/2015 Penmetsa B60L 1/14
307/10.1
2017/0129542 A1 * 5/2017 Kurokawa A01B 69/02

* cited by examiner



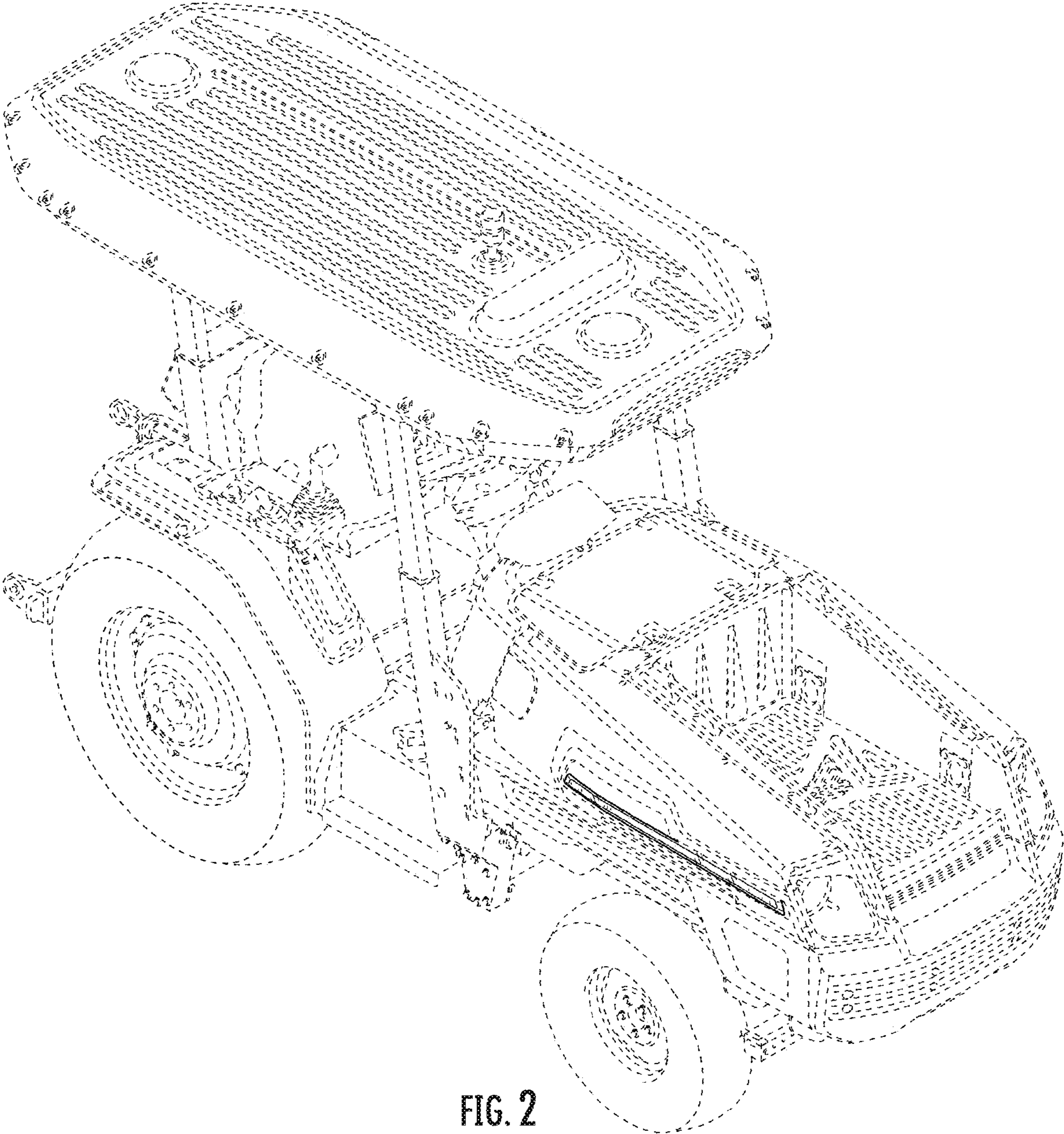


FIG. 2

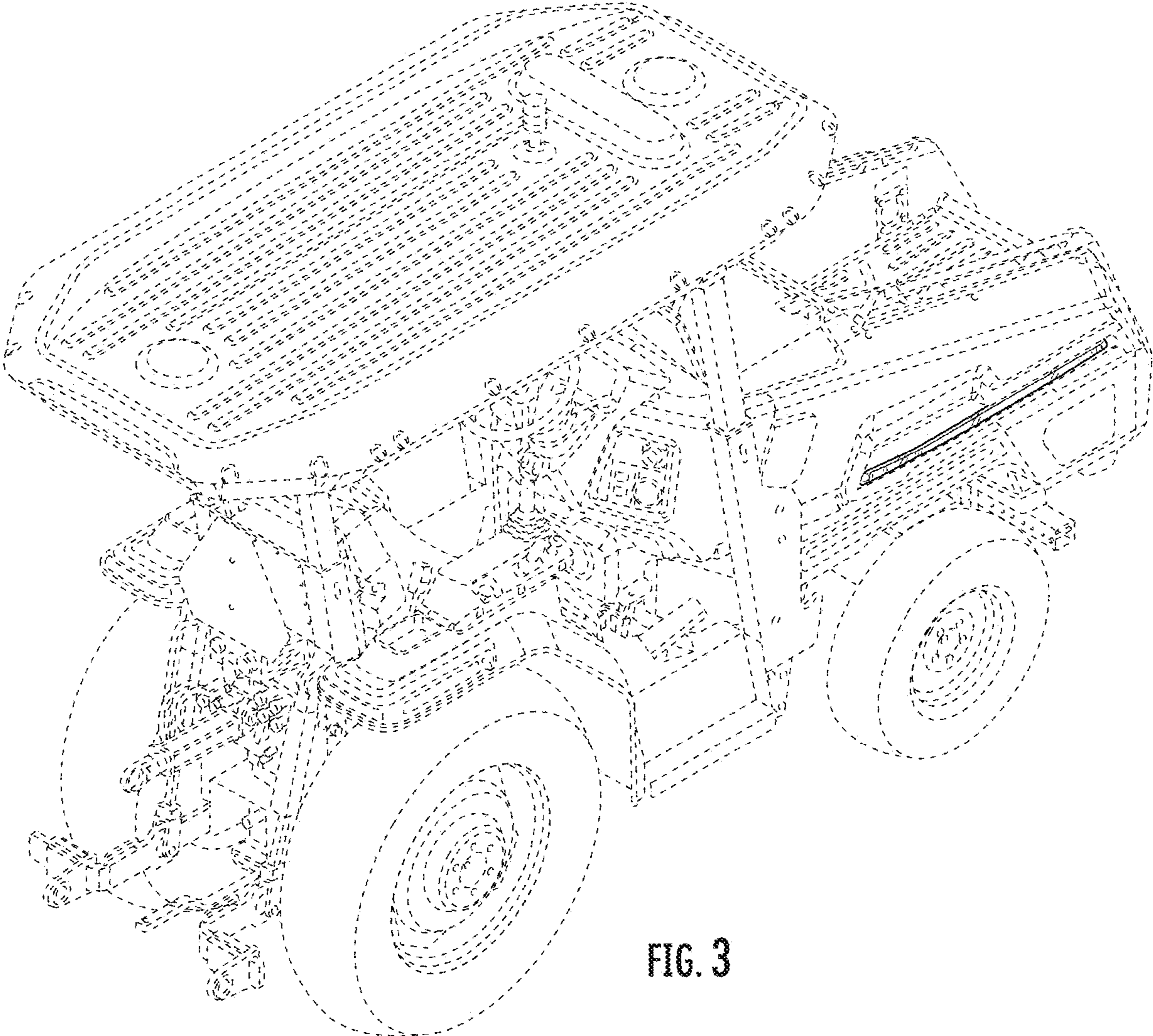


FIG. 3

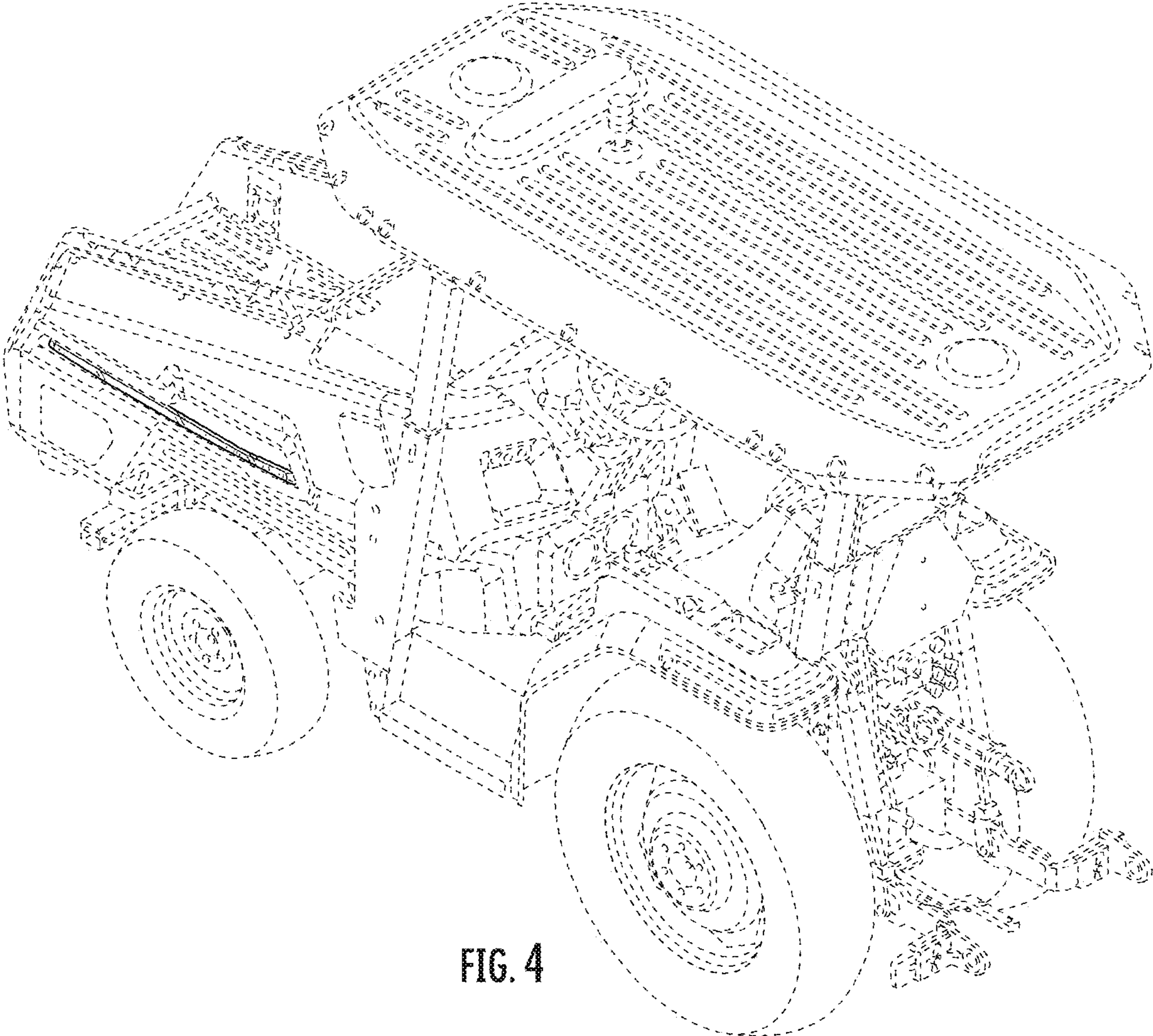


FIG. 4

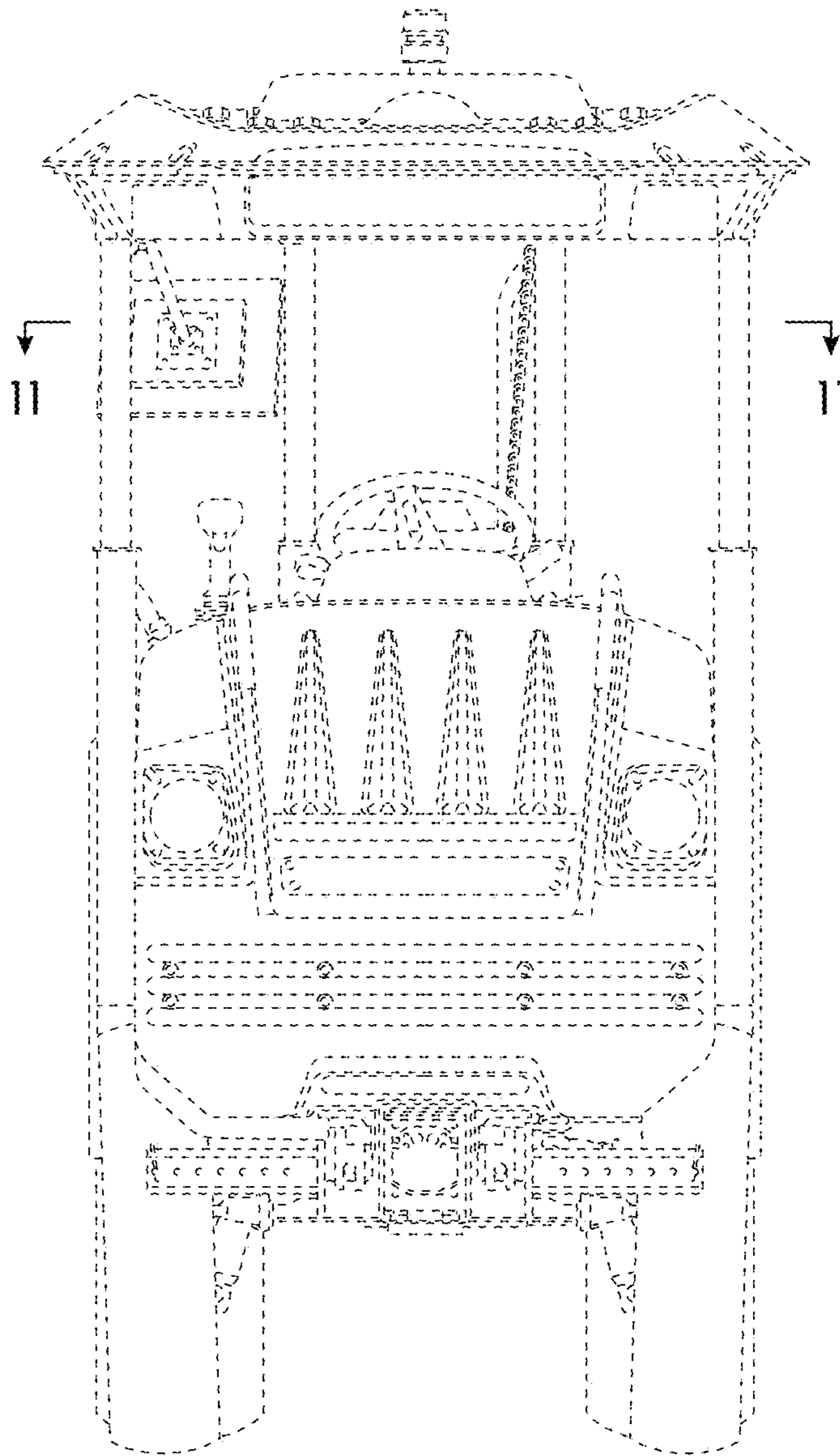


FIG. 5

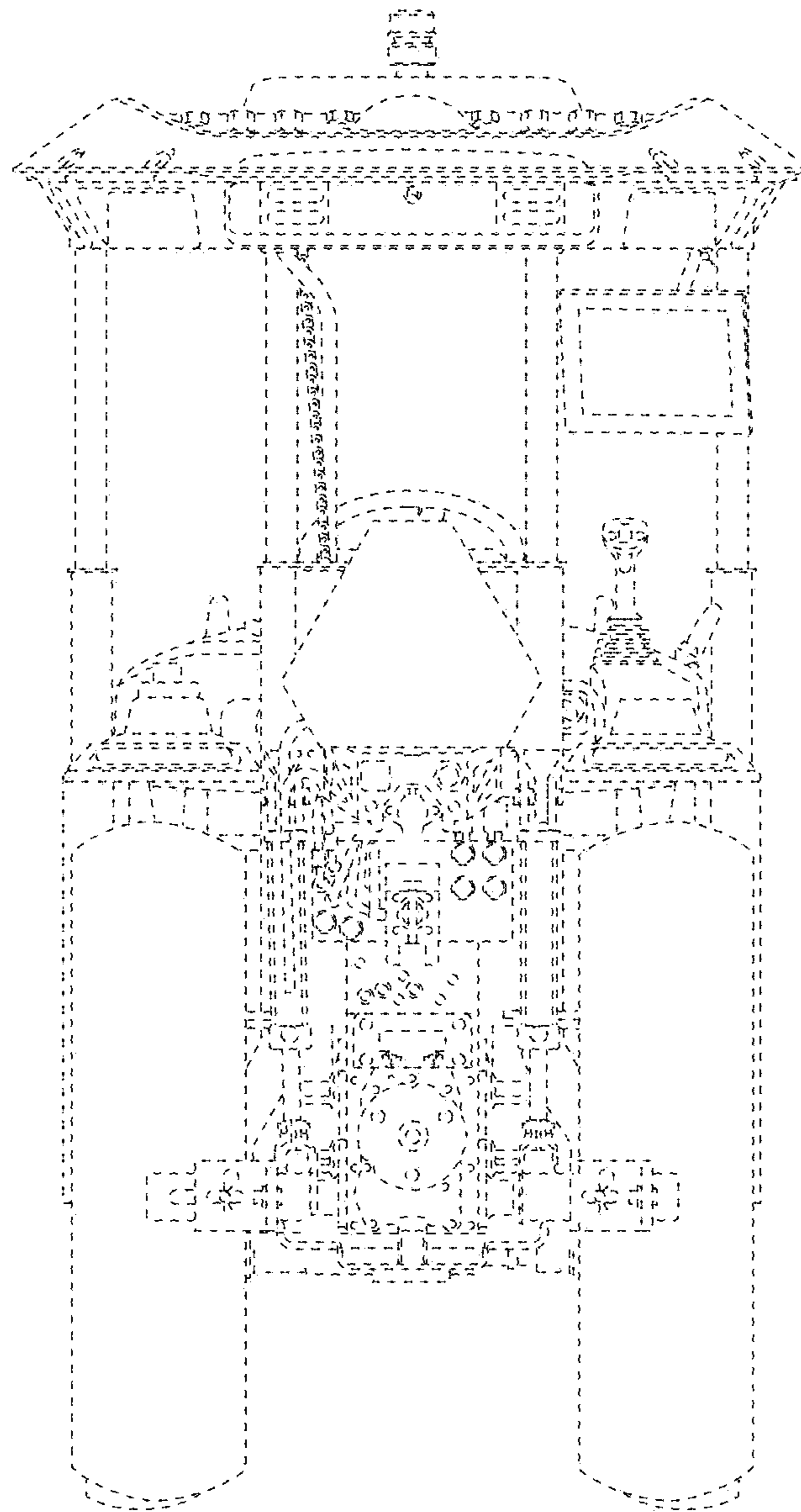


FIG. 6

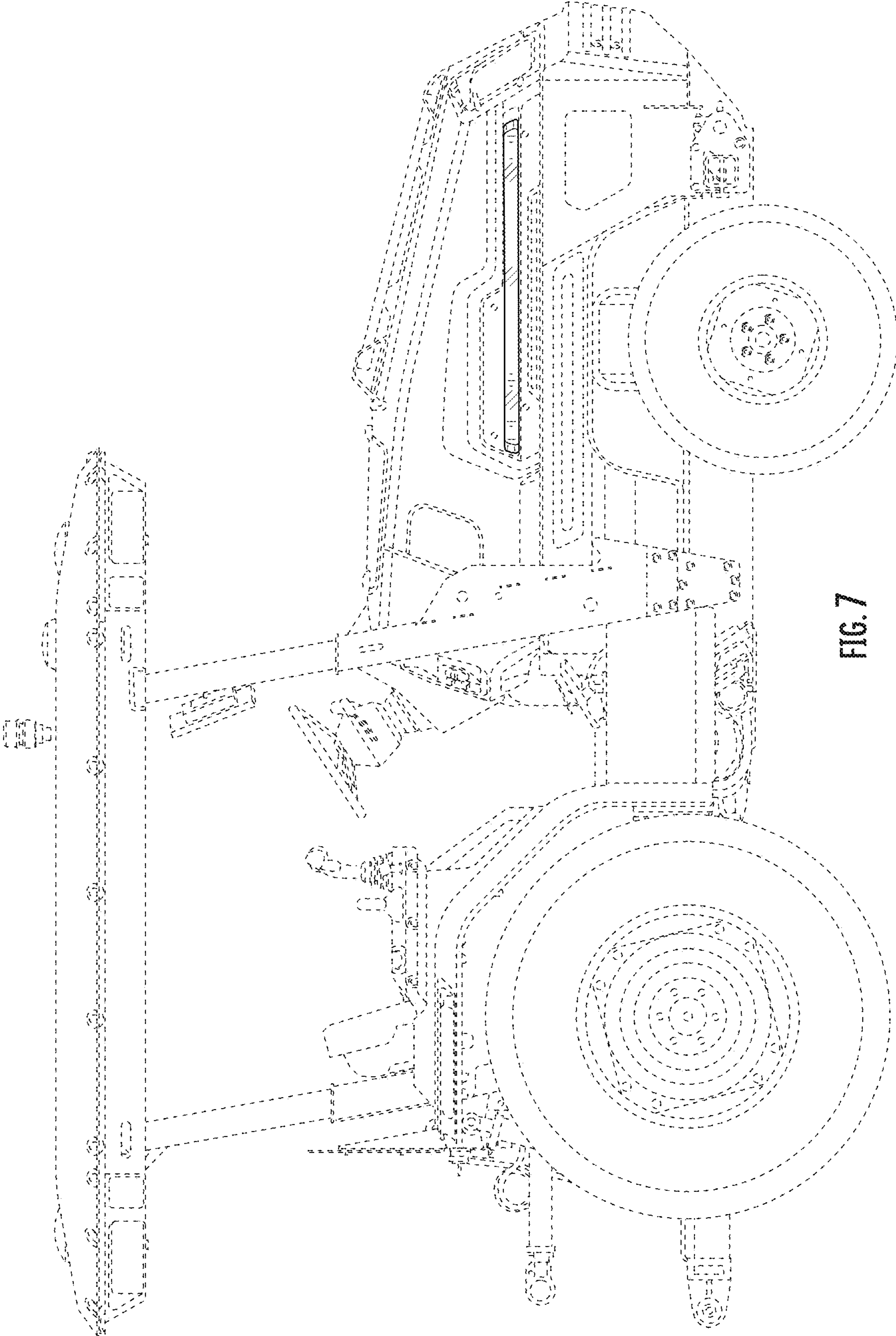


FIG. 7

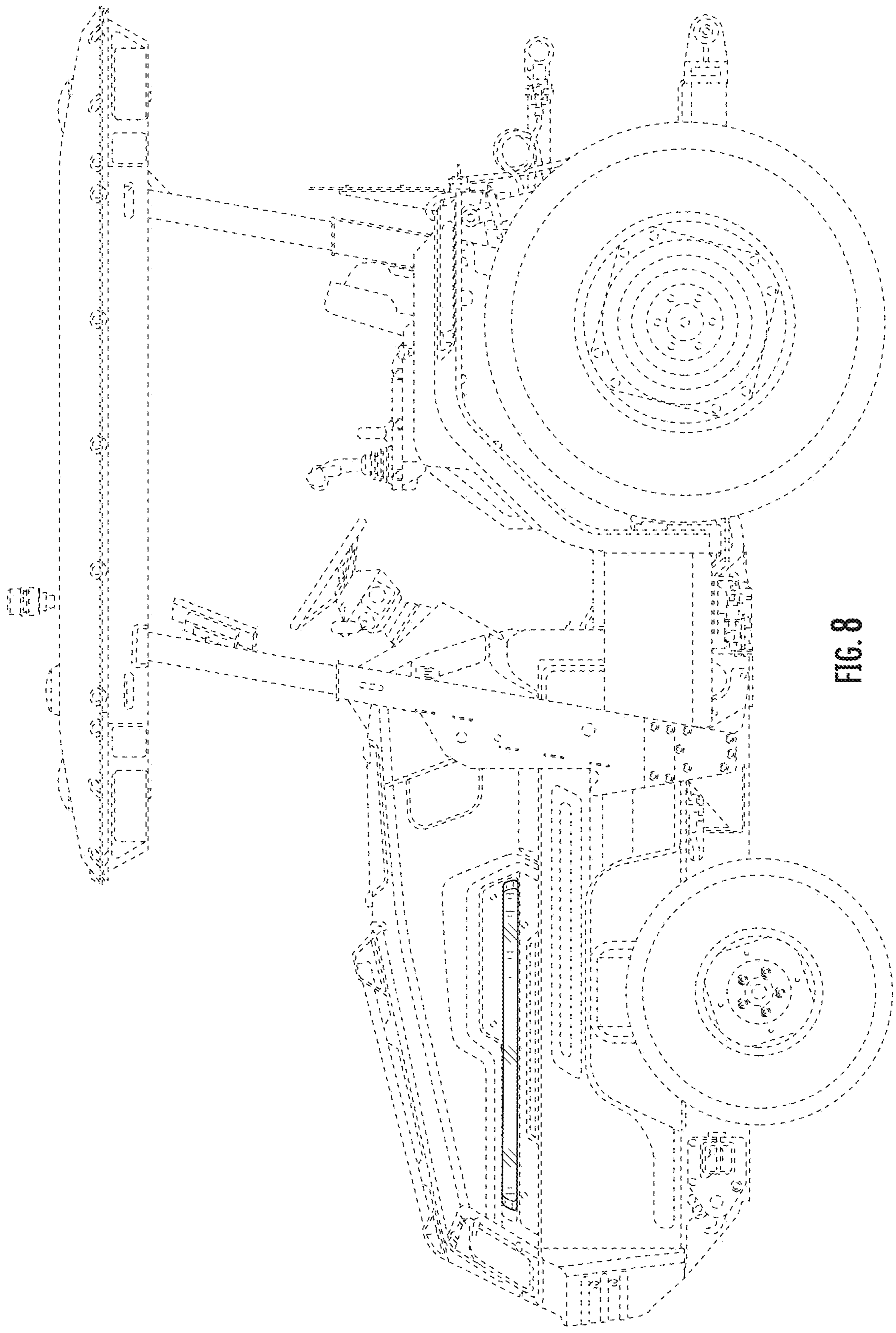


FIG. 8

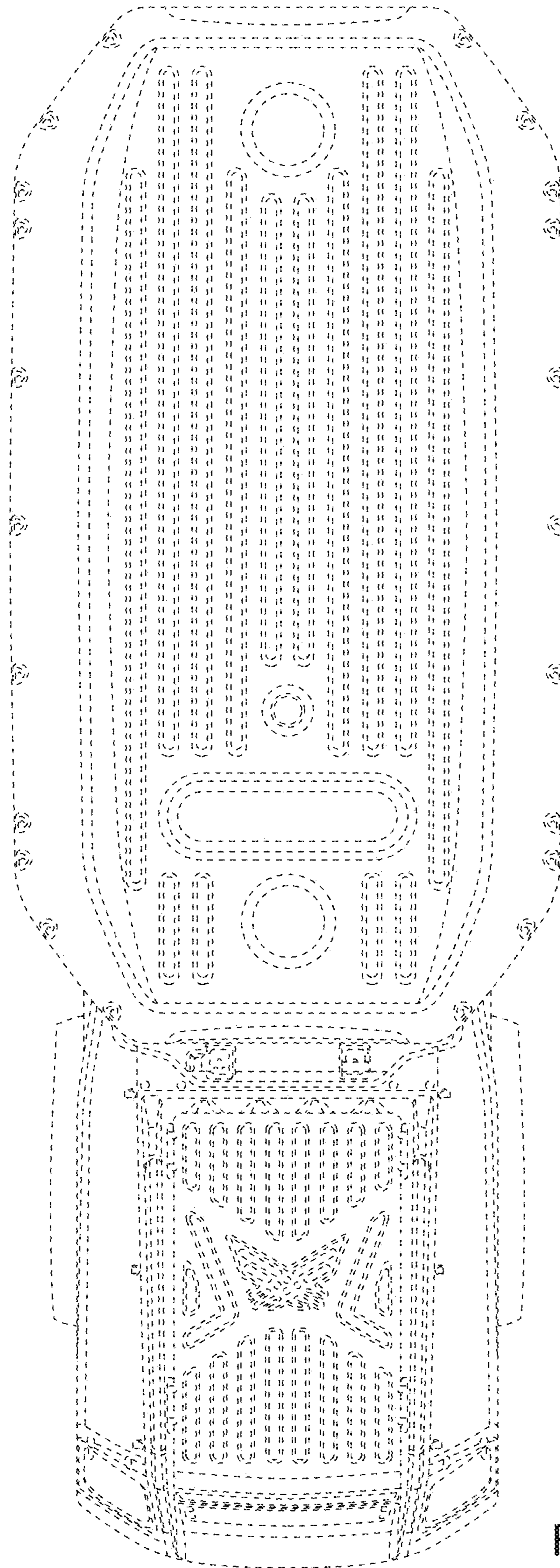


FIG. 9

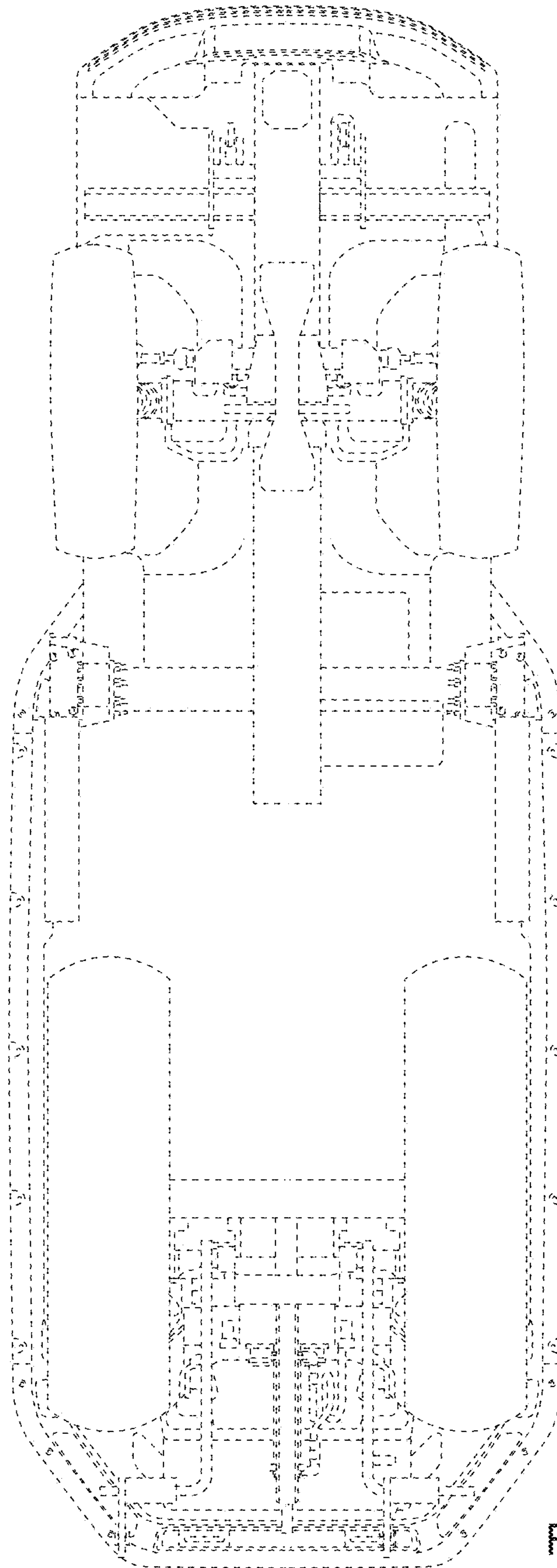


FIG. 10

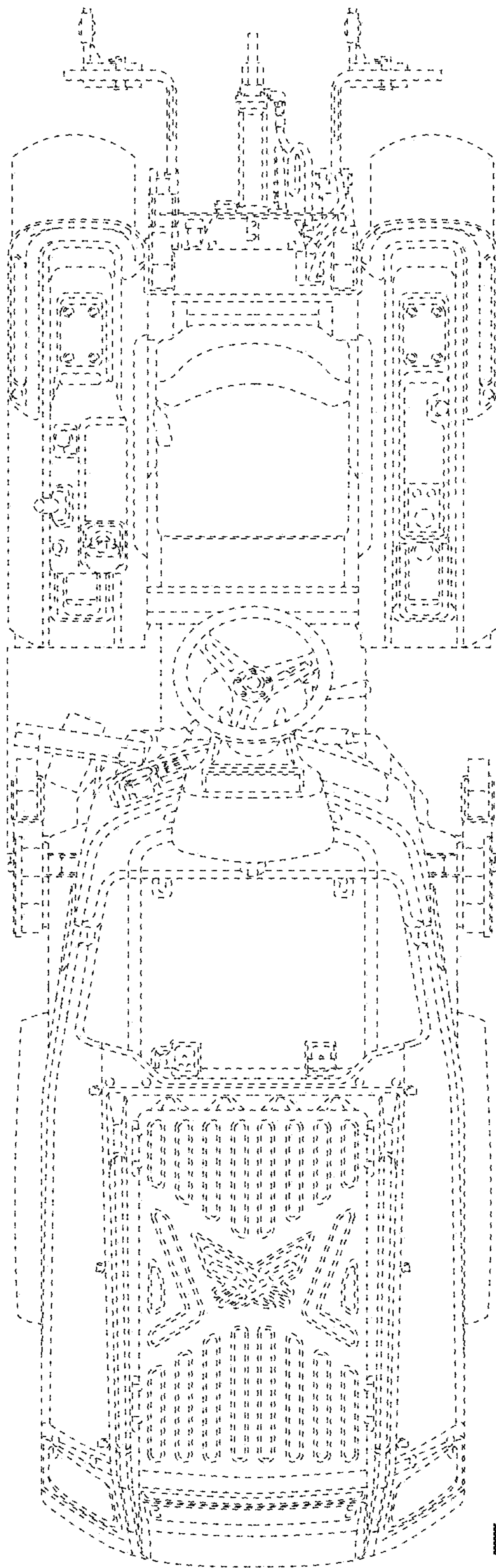


FIG. 11

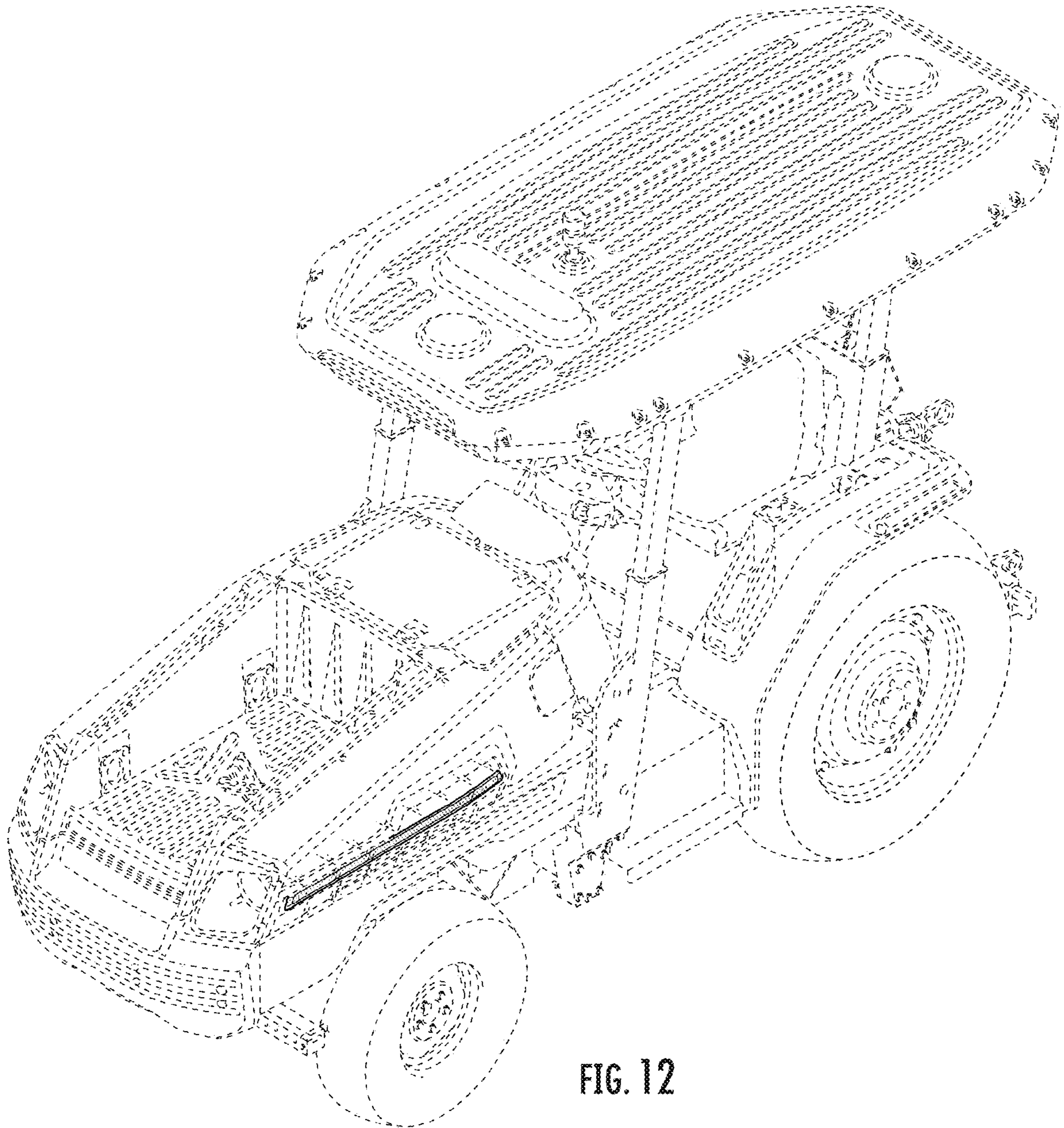


FIG. 12

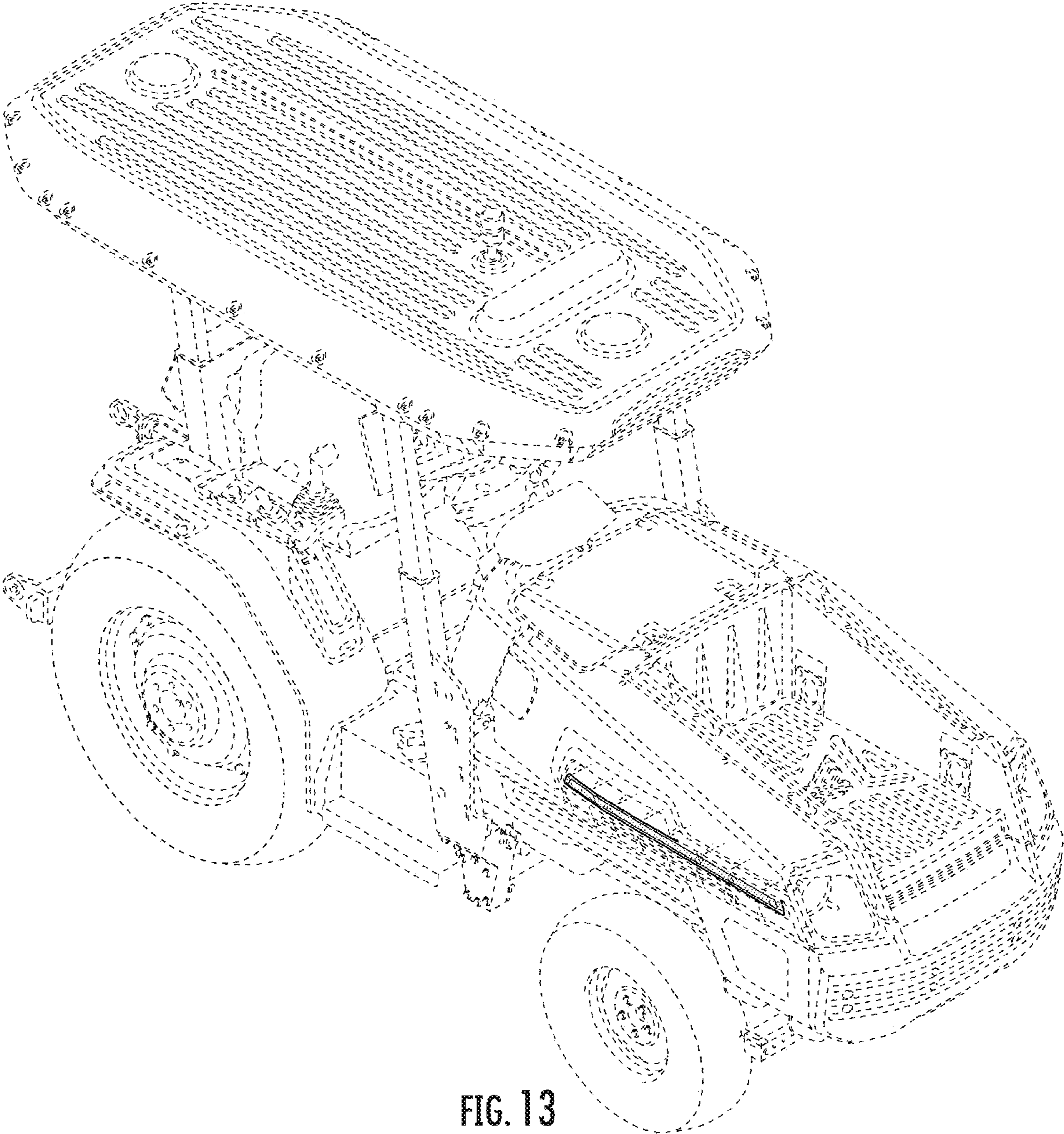


FIG. 13

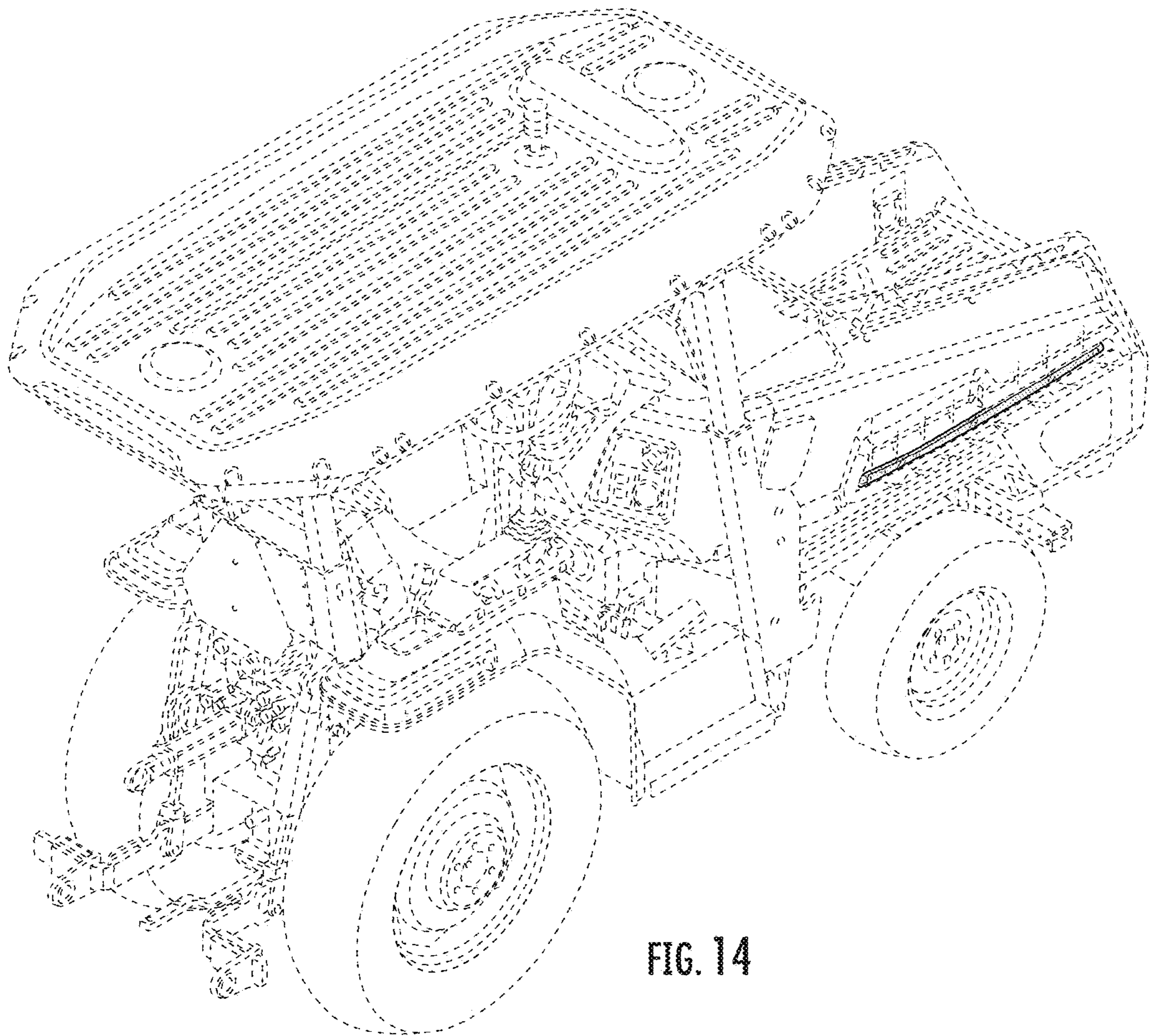
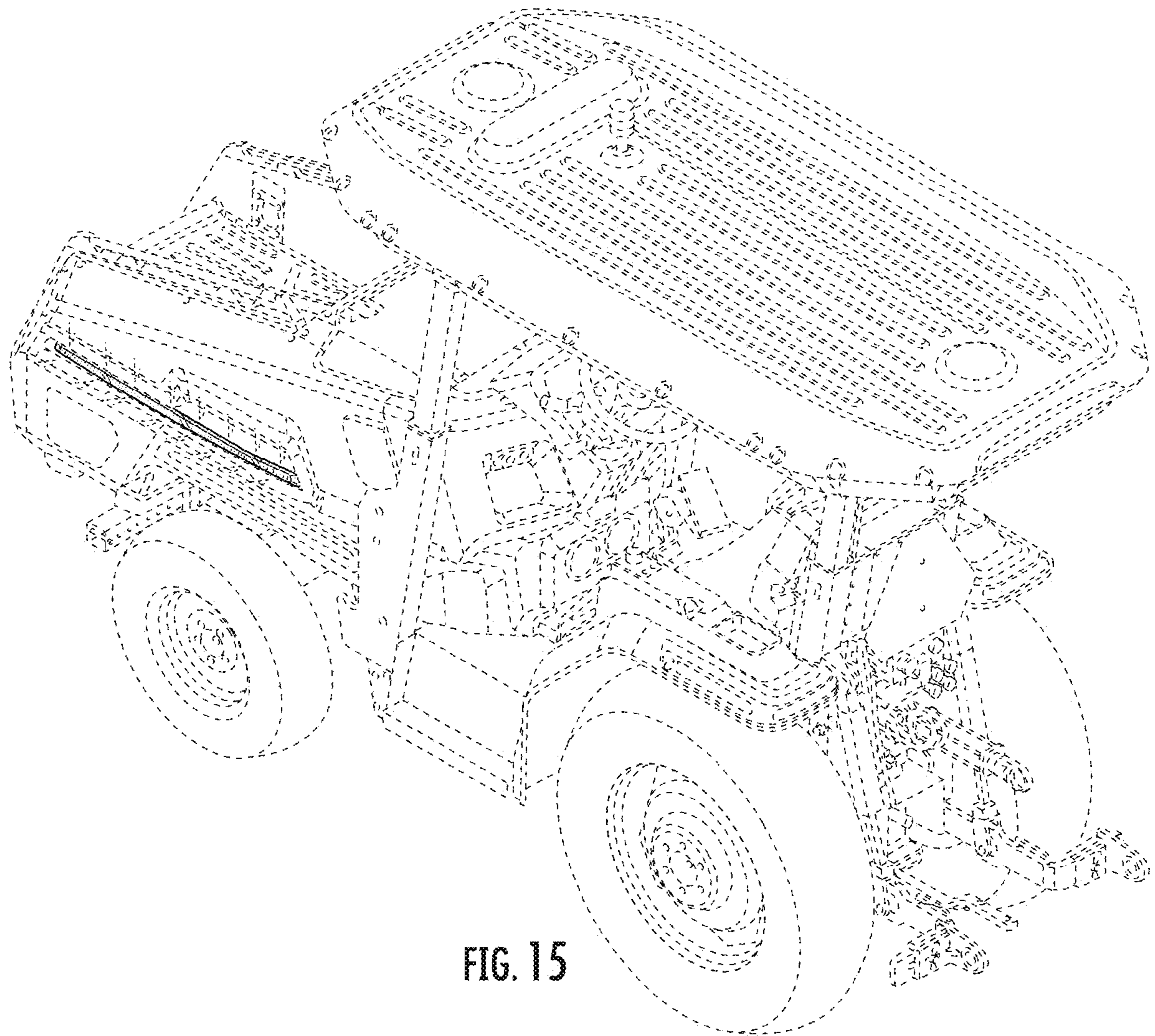


FIG. 14



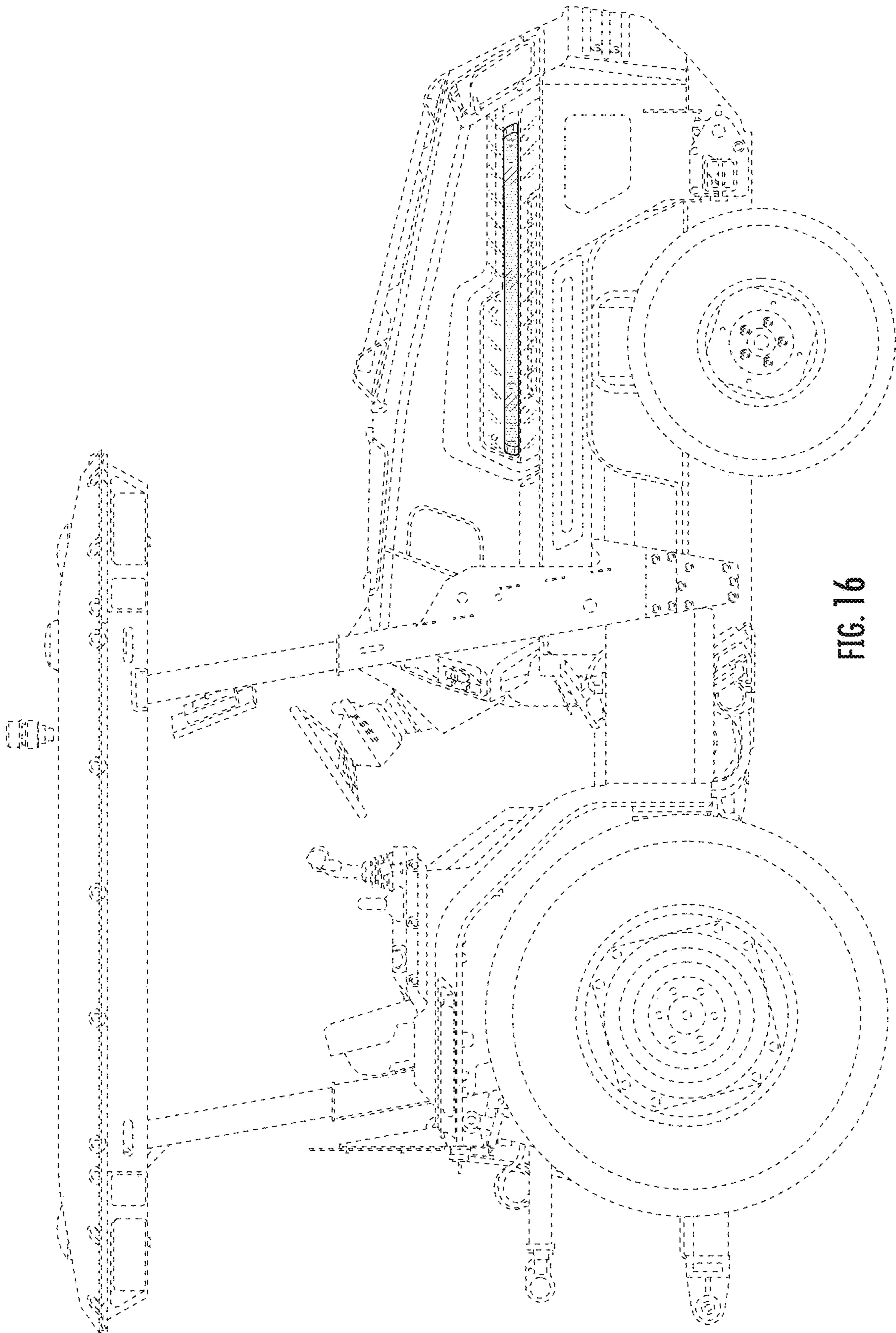


FIG. 16

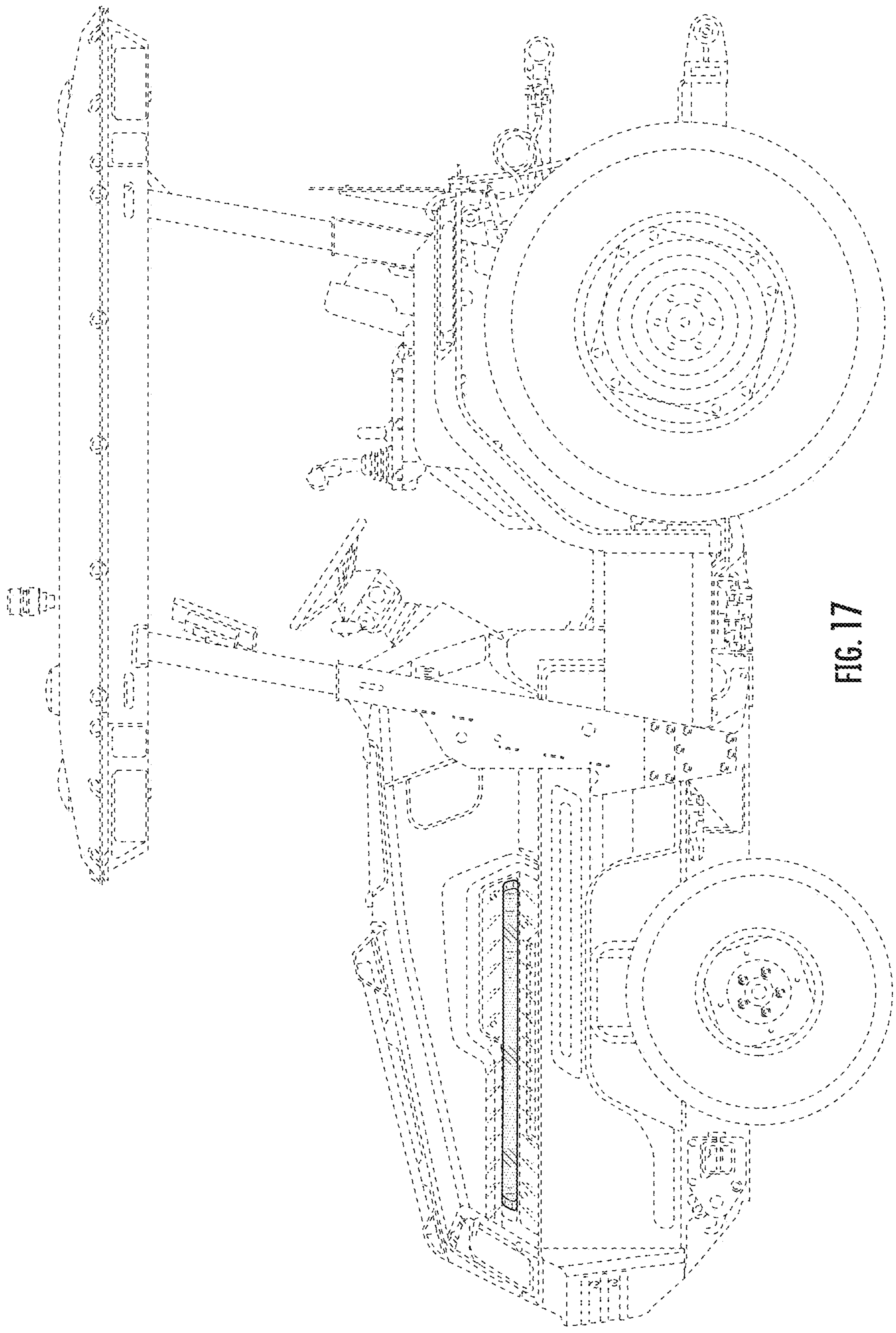


FIG. 17