



US00D971273S

(12) **United States Design Patent** (10) **Patent No.:** **US D971,273 S**
Fowler et al. (45) **Date of Patent:** **** Nov. 29, 2022**

(54) **LAWN CARE VEHICLE**

(71) Applicant: **MTD PRODUCTS INC**, Valley City, OH (US)

(72) Inventors: **Dennis Fowler**, Valley City, OK (US); **Jonathan Prybor**, Cleveland, OH (US); **Veronica Flanigan**, Broadview Heights, OH (US); **Mark Raber**, Seville, OH (US)

(73) Assignee: **MTD PRODUCTS INC**, Valley City, OH (US)

(**) Term: **15 Years**

(21) Appl. No.: **29/706,019**

(22) Filed: **Sep. 17, 2019**

(51) **LOC (13) Cl.** **15-03**

(52) **U.S. Cl.**
USPC **D15/15**

(58) **Field of Classification Search**
USPC D15/14, 15, 16, 17, 18, 22, 31, 33;
D12/181, 184
CPC B62D 25/16; B62D 25/18; B62D 25/161;
B62D 25/168; B62D 25/182; A47C 7/02
See application file for complete search history.

(56) **References Cited**

U.S. PATENT DOCUMENTS

D409,208 S * 5/1999 Eavenson D15/15
D495,718 S * 9/2004 Higashikawa D15/15

D655,316 S * 3/2012 Moriguchi D15/15
D681,685 S * 5/2013 Higashikawa D15/15
D789,423 S * 6/2017 Shi D15/15
2002/0140275 A1 * 10/2002 Busboom B60N 2/7035
297/452.2

* cited by examiner

Primary Examiner — Derrick E Holland

(74) *Attorney, Agent, or Firm* — Wegman Hessler

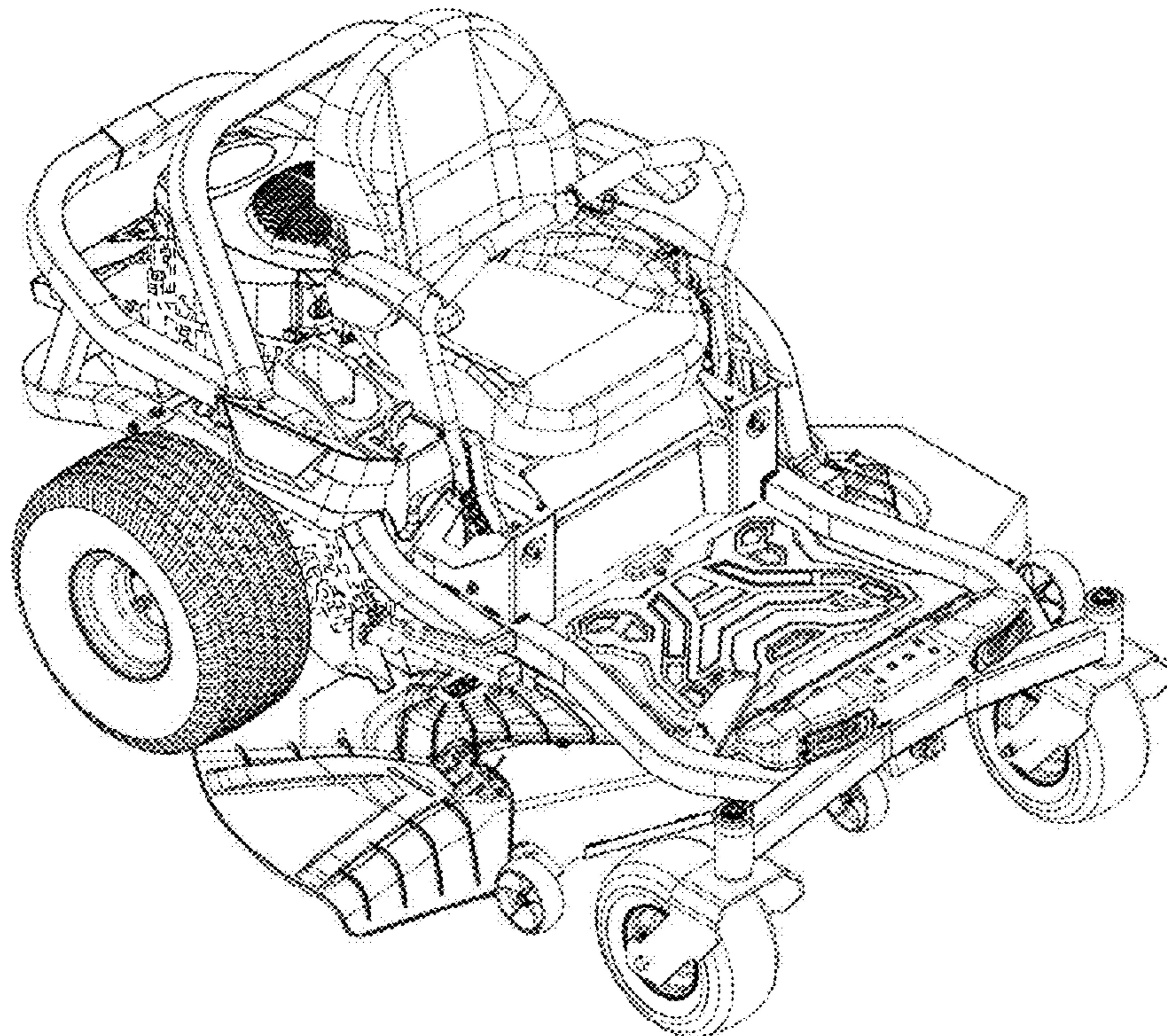
(57) **CLAIM**

I claim the ornamental design for a lawn care vehicle, as shown and described.

DESCRIPTION

FIG. 1 is a front top perspective view of a lawn care vehicle showing our new design;
FIG. 2 is a rear top perspective view thereof;
FIG. 3 is a front view thereof;
FIG. 4 is a rear view thereof;
FIG. 5 is a top view thereof;
FIG. 6 is a bottom view thereof;
FIG. 7 is a right side view thereof; and,
FIG. 8 is a left side view thereof.
The broken lines shown represent the portions of the lawn care vehicle that form no part of the claimed design.

1 Claim, 8 Drawing Sheets



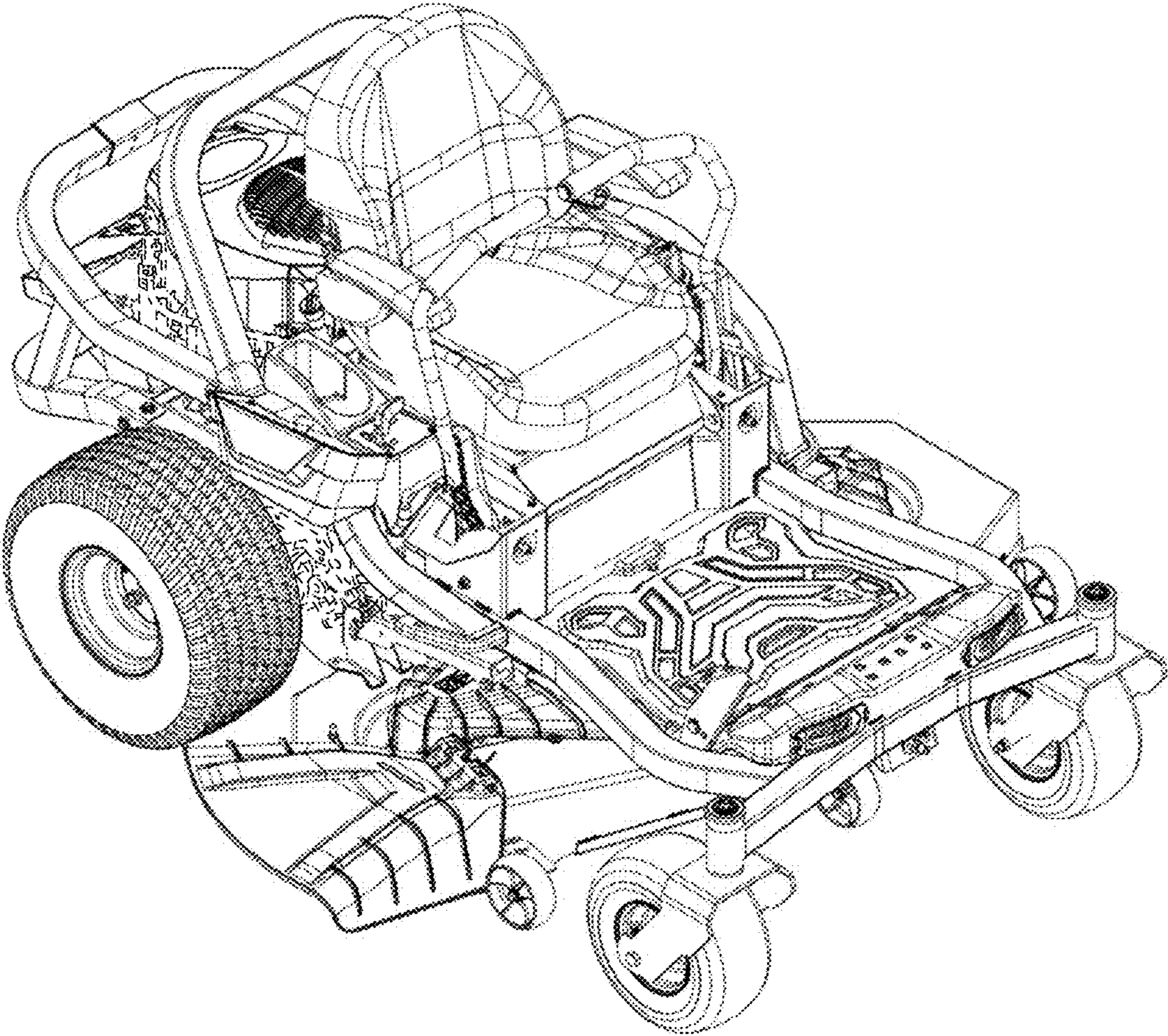


FIG. 1

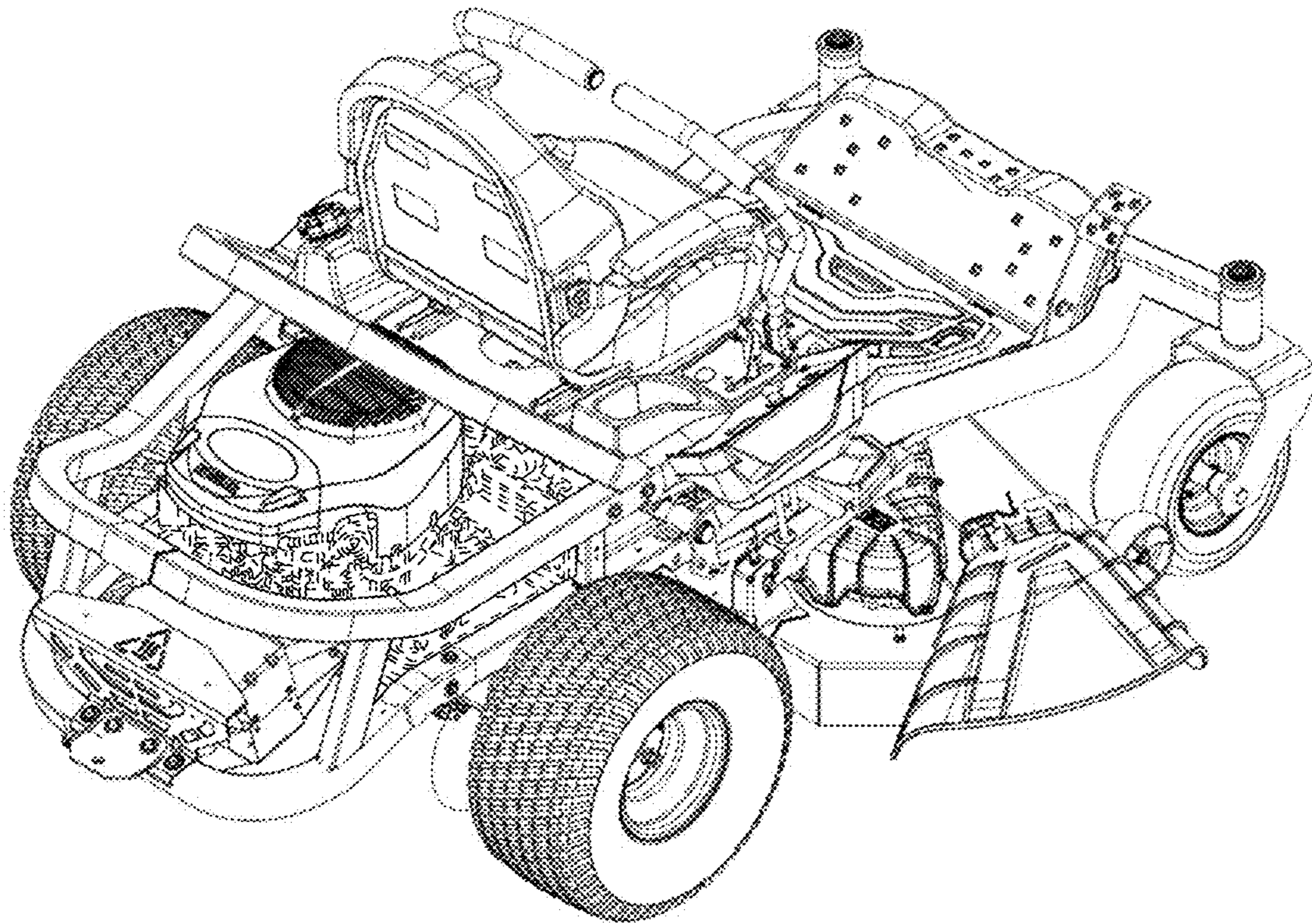


FIG. 2

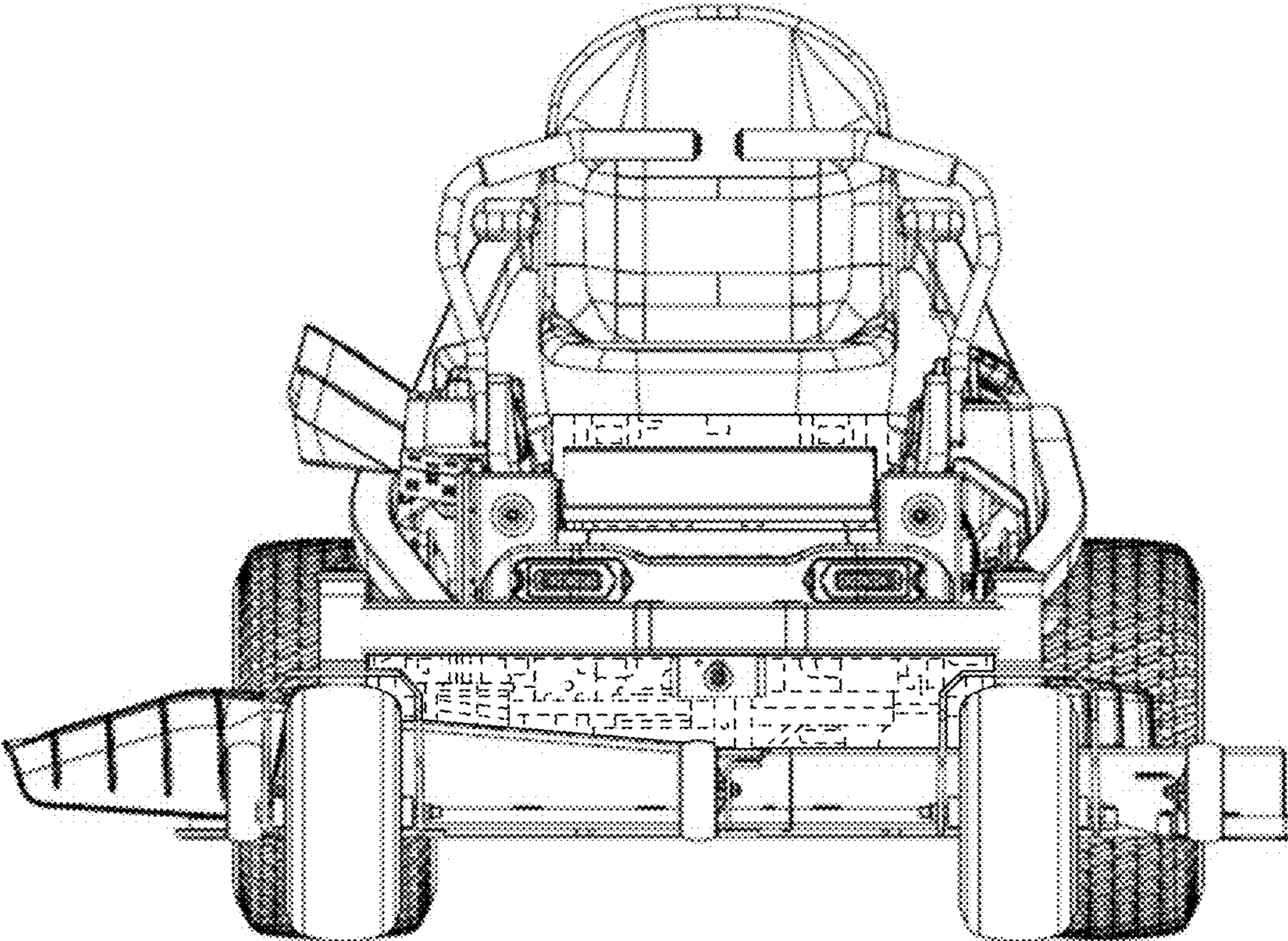


FIG. 3

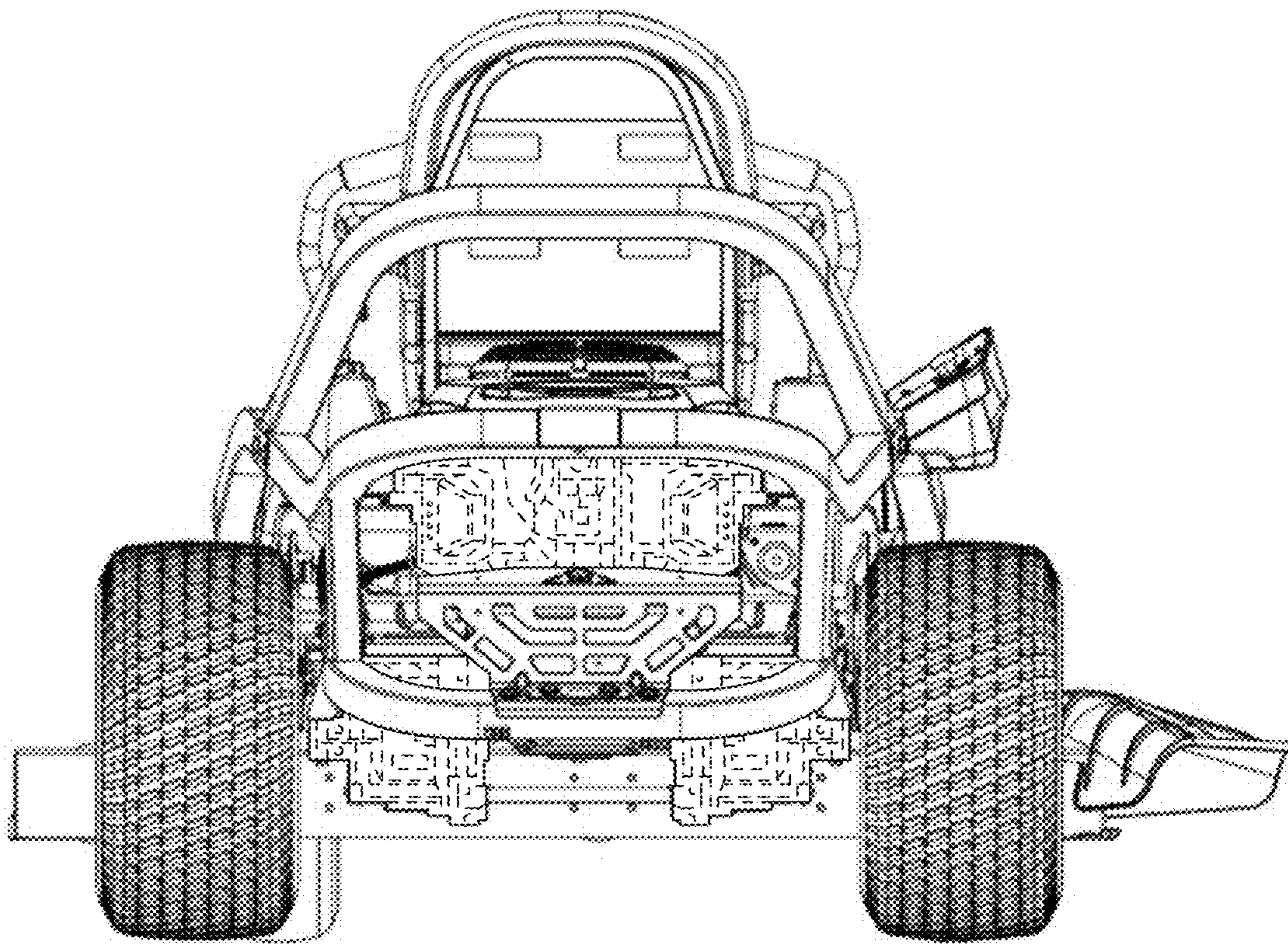


FIG. 4

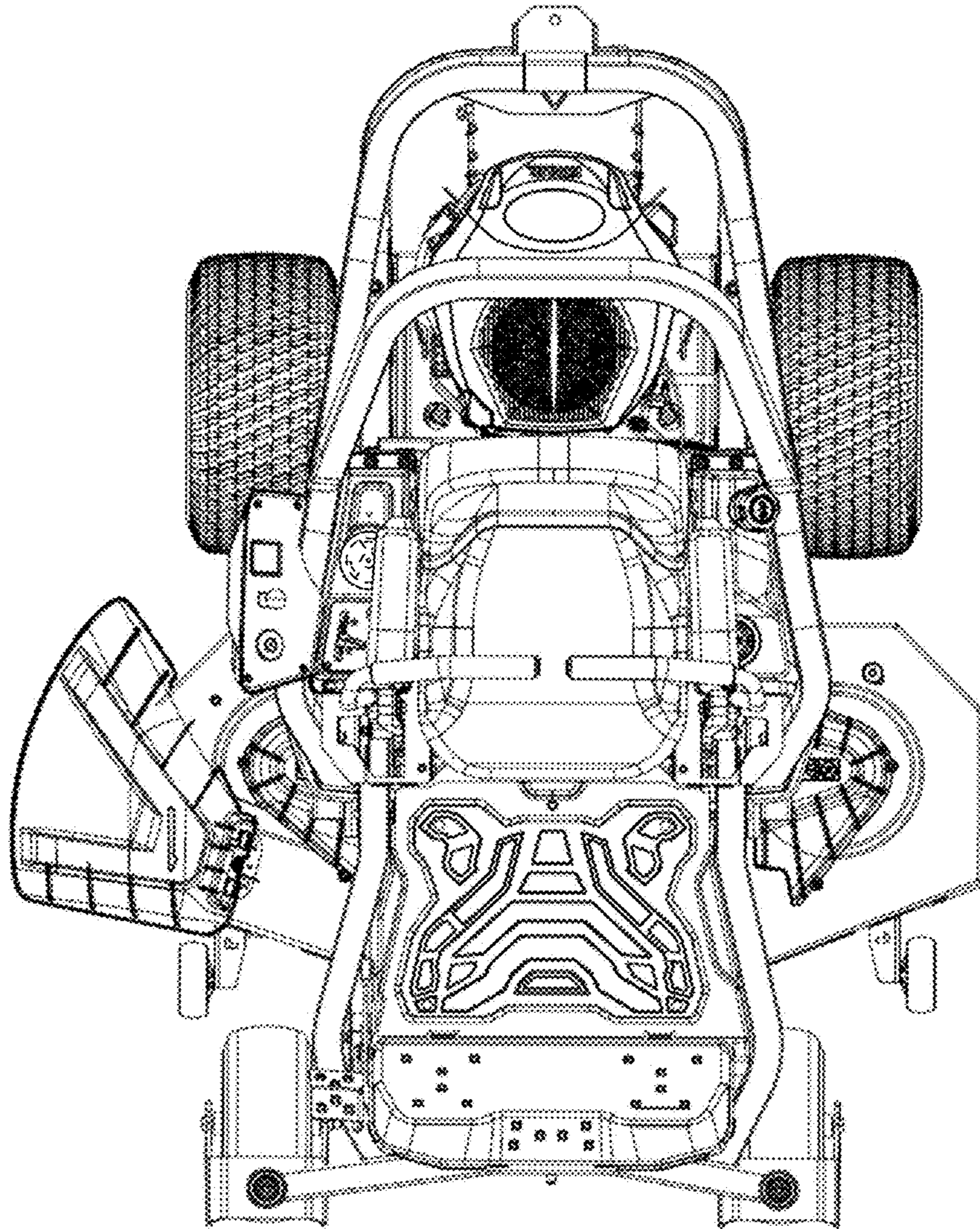


FIG. 5

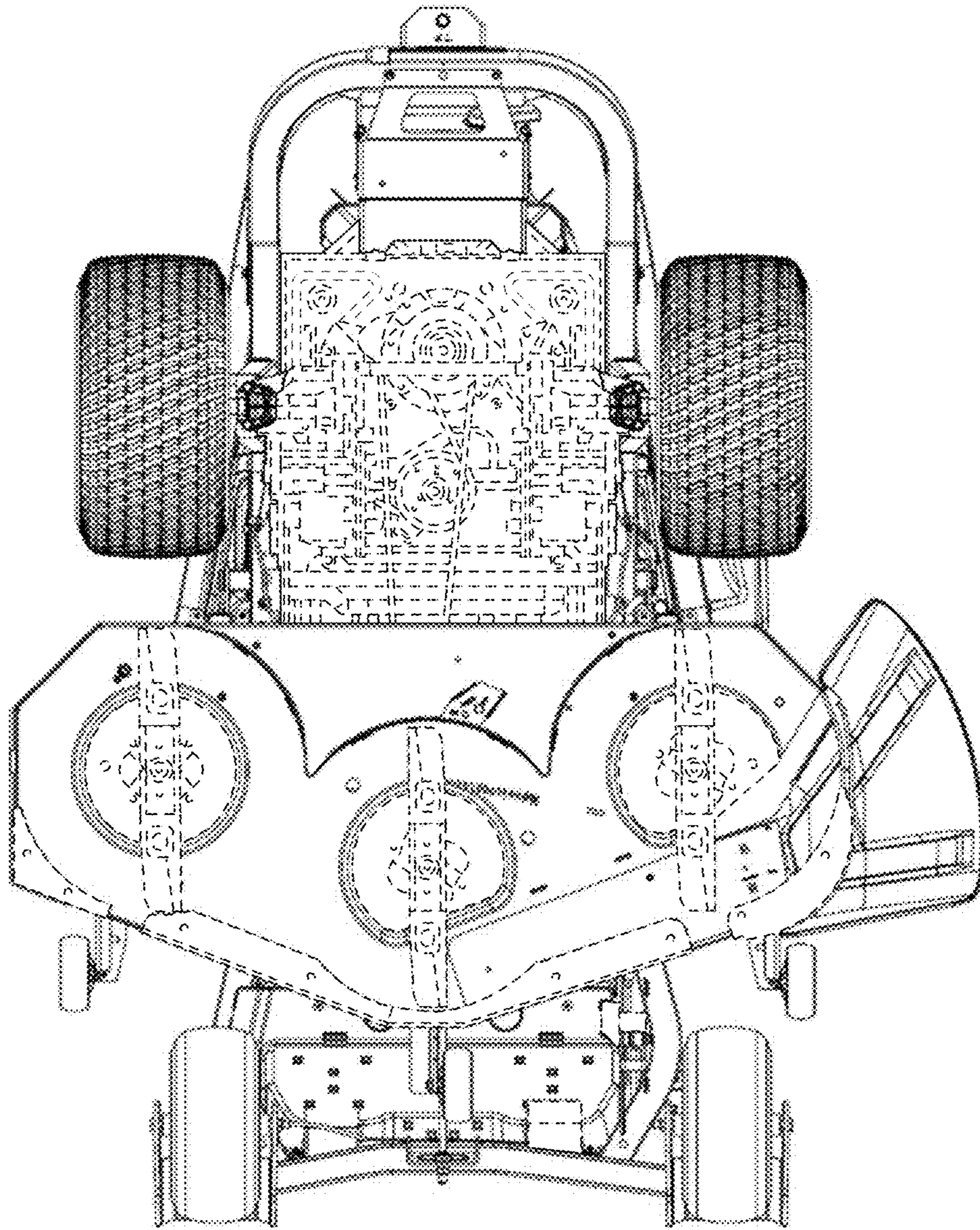


FIG. 6

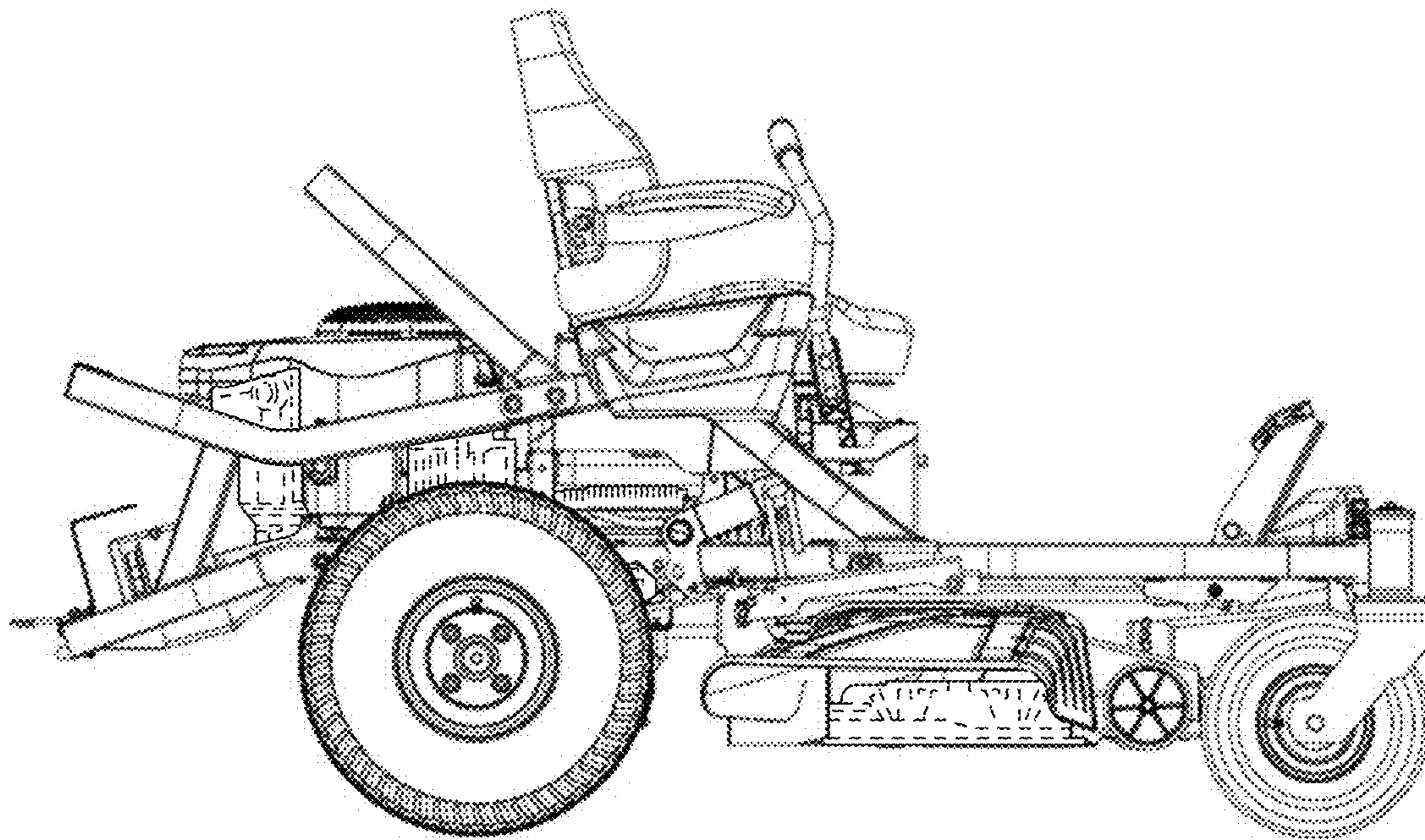


FIG. 7

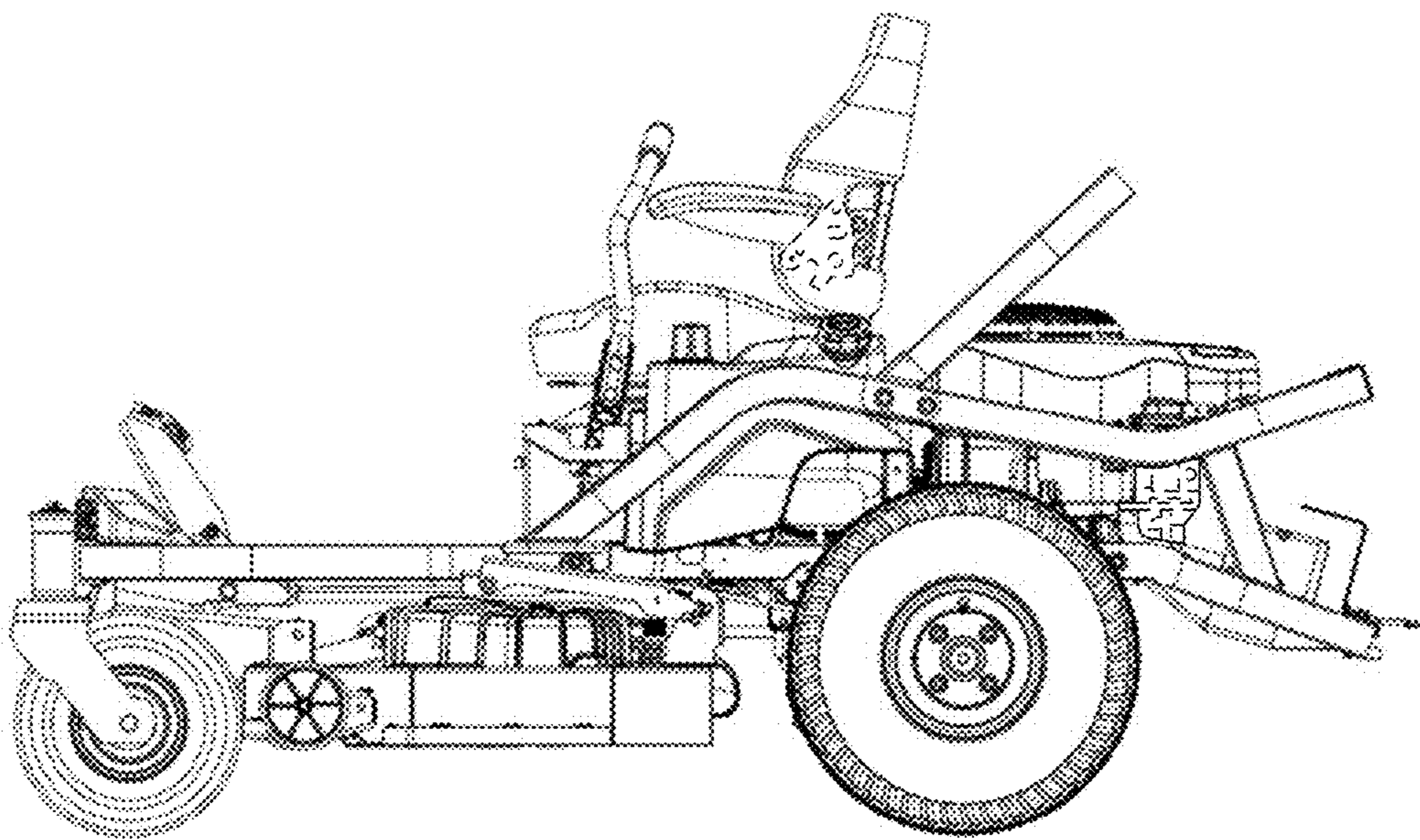


FIG. 8

UNITED STATES PATENT AND TRADEMARK OFFICE
CERTIFICATE OF CORRECTION

PATENT NO. : D971,273 S
APPLICATION NO. : 29/706019
DATED : November 29, 2022
INVENTOR(S) : Dennis Fowler et al.

Page 1 of 1

It is certified that error appears in the above-identified patent and that said Letters Patent is hereby corrected as shown below:

On the Title Page

Item (72) Inventors: Dennis Fowler, Valley City, Change "OK" to --OH--.

Signed and Sealed this
Twenty-eighth Day of March, 2023
Katherine Kelly Vidal

Katherine Kelly Vidal
Director of the United States Patent and Trademark Office