



US00D971270S

(12) **United States Design Patent**  
**Jin**

(10) **Patent No.:** **US D971,270 S**  
(45) **Date of Patent:** **\*\* Nov. 29, 2022**

(54) **WOOD CHIPPER**  
(71) Applicant: **YONGKANG MAXPOWER TECHNOLOGY CO., LTD.**,  
Yongkang (CN)  
(72) Inventor: **Xuancong Jin**, Yongkang (CN)  
(73) Assignee: **YONGKANG MAXPOWER TECHNOLOGY CO., LTD.**,  
Yongkang (CN)

(\*\*) Term: **15 Years**  
(21) Appl. No.: **29/806,584**  
(22) Filed: **Sep. 3, 2021**

(30) **Foreign Application Priority Data**  
Aug. 20, 2021 (CN) ..... 202130544938.0  
(51) **LOC (13) Cl.** ..... **15-02**  
(52) **U.S. Cl.**  
USPC ..... **D15/10**  
(58) **Field of Classification Search**  
USPC ..... D15/10, 19, 26, 27  
CPC ..... B02C 18/06; B02C 18/18; B02C 18/22;  
B02C 18/2291; B02C 13/20; B02C 19/00;  
B66D 1/60; A01D 34/005; A01D 34/69;  
A01D 42/005; A01G 3/00; A01G 3/02;  
B27L 11/00; B27L 11/02; B27L 11/08;  
B27L 11/005  
See application file for complete search history.

(56) **References Cited**  
**U.S. PATENT DOCUMENTS**  
3,726,488 A \* 4/1973 Aasland ..... B02C 18/06  
56/16.8  
D234,815 S \* 4/1975 MacKissic ..... D15/10  
D328,603 S \* 8/1992 Piltz ..... D15/10  
5,199,653 A \* 4/1993 Durrant ..... B02C 18/2291  
241/73

D345,983 S \* 4/1994 Bold ..... D15/10  
5,305,959 A \* 4/1994 Chesser ..... B02C 18/2291  
241/101.78  
5,358,189 A \* 10/1994 Vandermolen ..... B02C 13/04  
241/154  
5,390,865 A \* 2/1995 Vandermolen ..... B02C 18/143  
241/101.76  
D356,801 S \* 3/1995 Bold ..... D15/10  
(Continued)

**OTHER PUBLICATIONS**

PowerKing (3"), 7 HP Kohler Tow-Behind Wood Chipper Shredder-PK0913, (site visited Feb. 17, 2022), Land Mark Tools website, URL:<<https://landmarktools.com/products/powerking-3-chipper-pk0913>> (Year: 2022).\*

(Continued)

*Primary Examiner* — Calvin E Vansant  
*Assistant Examiner* — Mark T. Philipps  
(74) *Attorney, Agent, or Firm* — Chun-Ming Shih;  
Lanway IPR Services

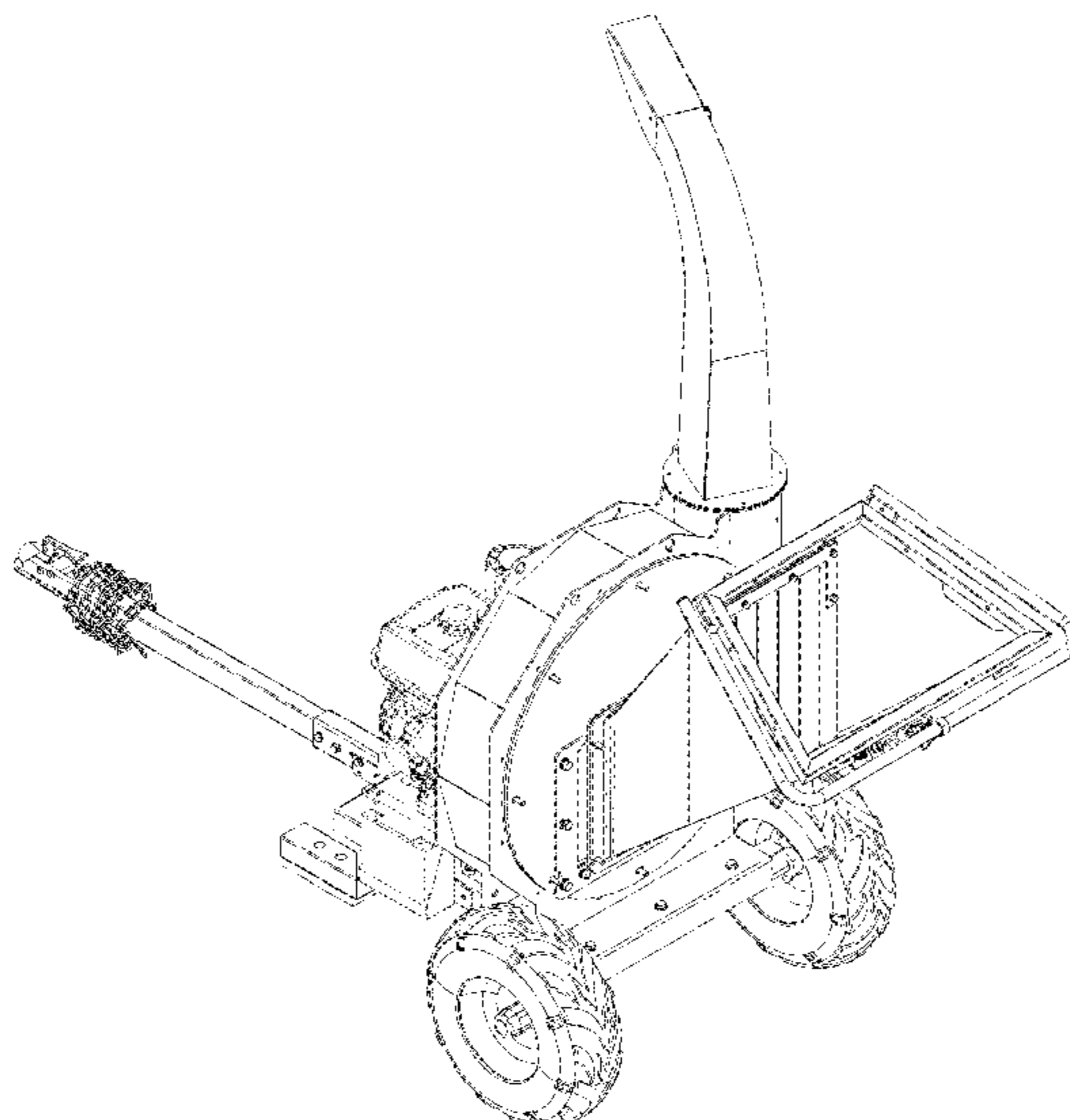
(57) **CLAIM**

The ornamental design for a wood chipper, as shown and described.

**DESCRIPTION**

FIG. 1 is a perspective view of a wood chipper showing the new design;  
FIG. 2 is a front view thereof;  
FIG. 3 is a back view thereof;  
FIG. 4 is a left side view thereof;  
FIG. 5 is a right side view thereof;  
FIG. 6 is a top view thereof; and,  
FIG. 7 is a bottom view thereof.  
The broken lines shown in the figures are for the purpose of illustrating portions of the wood chipper, which form no part of the claimed design.

**1 Claim, 7 Drawing Sheets**



(56)

References Cited

U.S. PATENT DOCUMENTS

5,669,563 A \* 9/1997 Gearing ..... A01G 3/002  
241/101.78  
D514,128 S \* 1/2006 Lee ..... D15/10  
7,552,884 B2 \* 6/2009 Gross ..... A01G 3/002  
241/261.1  
7,798,436 B2 \* 9/2010 Cornelius ..... A01G 3/002  
241/298  
7,878,434 B2 \* 2/2011 Grant ..... B02C 18/2225  
241/101.76  
9,144,804 B2 \* 9/2015 Kessler ..... B02C 18/18  
D781,925 S \* 3/2017 Kanchibhotla ..... D15/10  
D784,418 S \* 4/2017 Jin ..... D15/10  
10,507,469 B2 \* 12/2019 Schie ..... B02C 18/2283  
10,631,466 B2 \* 4/2020 Kanchibhotla ..... B27L 11/02  
D899,467 S \* 10/2020 Jin ..... D15/10  
D931,904 S \* 9/2021 Wang ..... D15/10  
11,173,496 B2 \* 11/2021 Bramley ..... B27L 11/002

D939,588 S \* 12/2021 Xu ..... D15/10  
D943,639 S \* 2/2022 Scott ..... D15/19  
2005/0023388 A1 \* 2/2005 Reinhold ..... B02C 18/2216  
241/101.78  
2010/0126628 A1 \* 5/2010 Leonard ..... B02C 18/2225  
144/246.1  
2014/0231559 A1 \* 8/2014 Schie ..... B27L 11/002  
241/37.5  
2014/0263775 A1 \* 9/2014 Satterwhite ..... B66D 3/006  
254/332

OTHER PUBLICATIONS

Super Handy, Mini Wood Chipper Shredder Mulcher Heavy Duty  
7HP, (site visited Feb. 17, 2022), Amazon.com, URL:<<https://www.amazon.com/SuperHandy-Chipper-Shredder-Electric-Mini-Wood/dp/B07WK561X6>> (Year: 2022).\*

\* cited by examiner

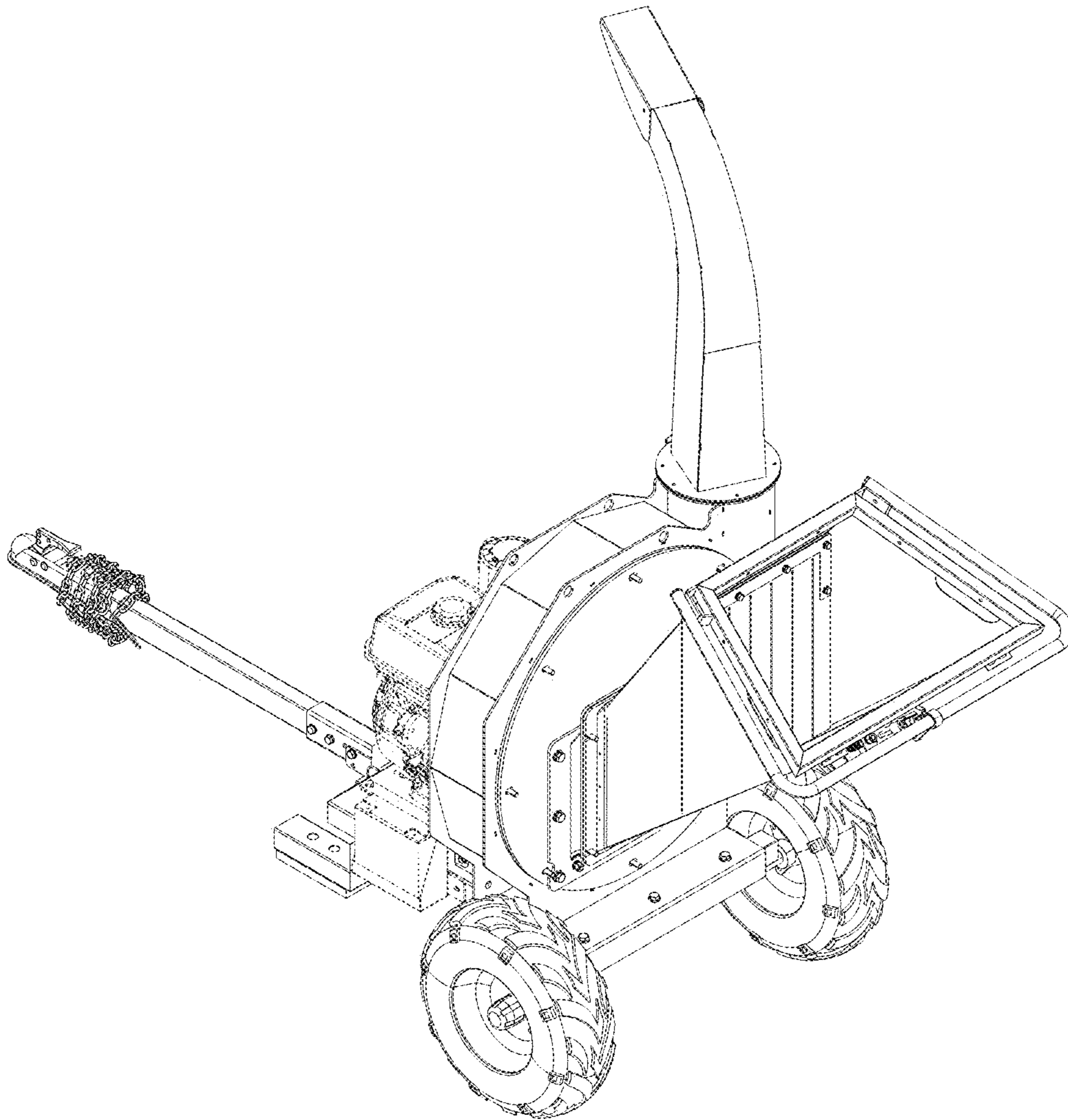


FIG. 1

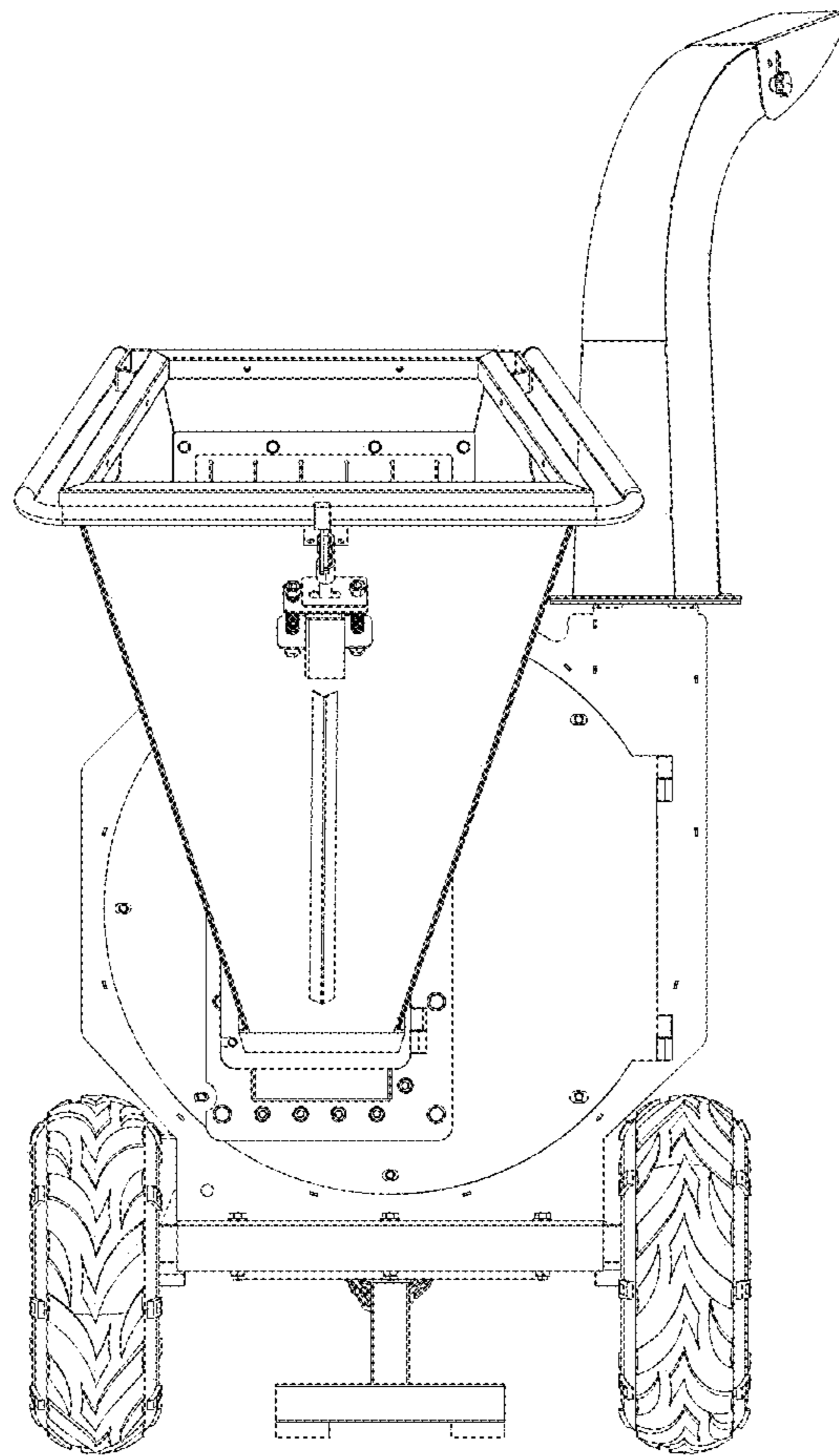


FIG.2

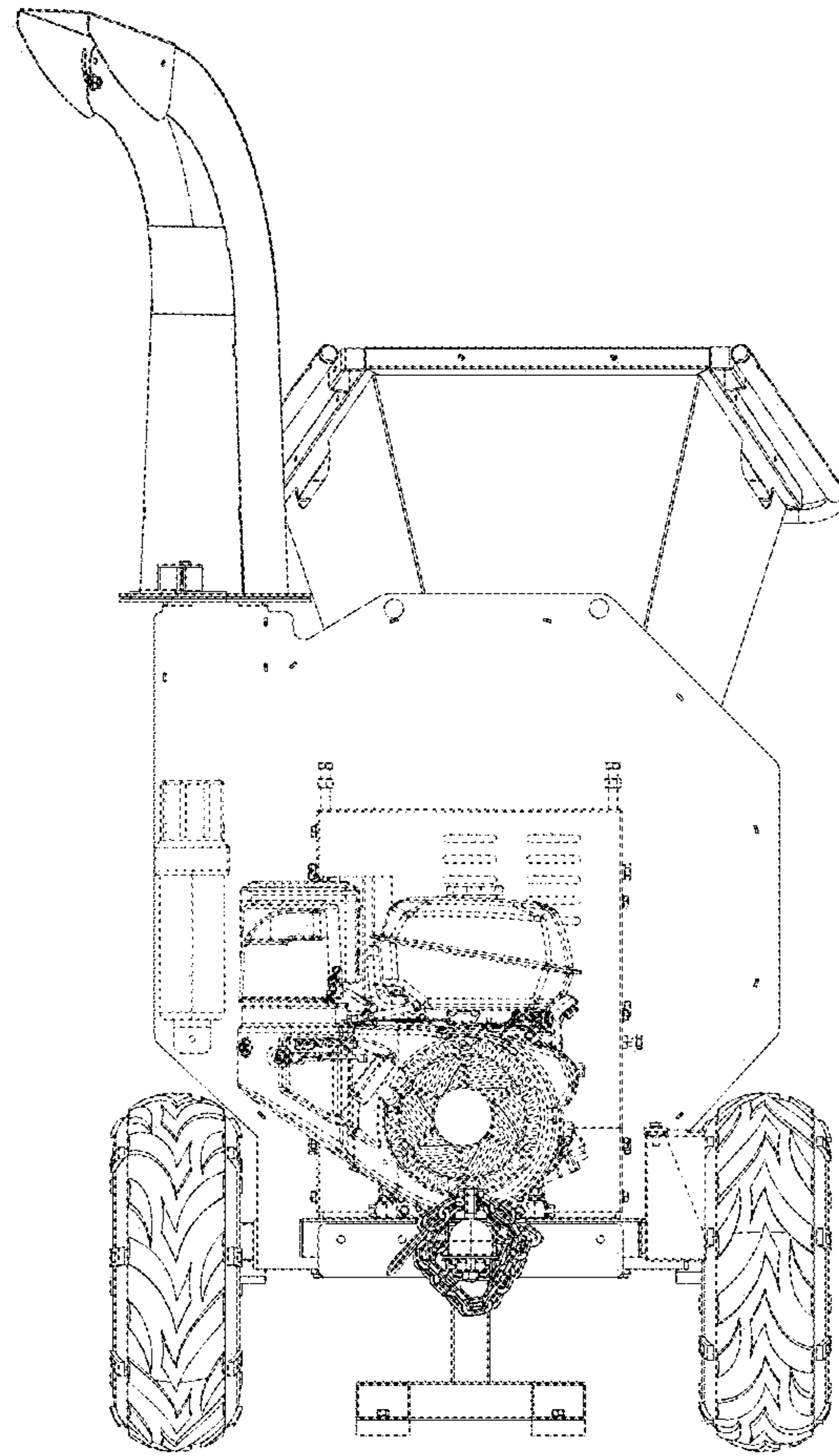


FIG.3

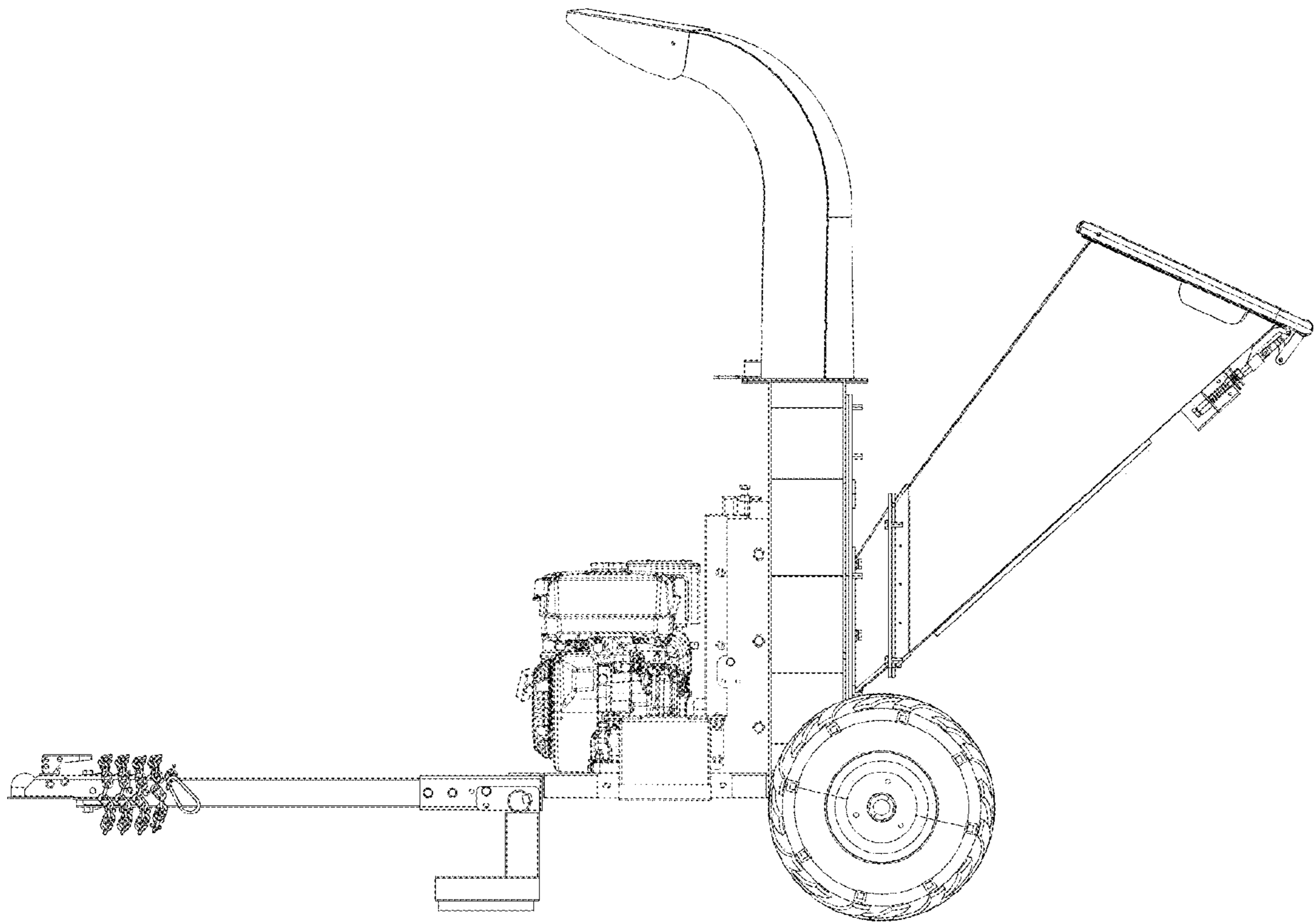


FIG.4

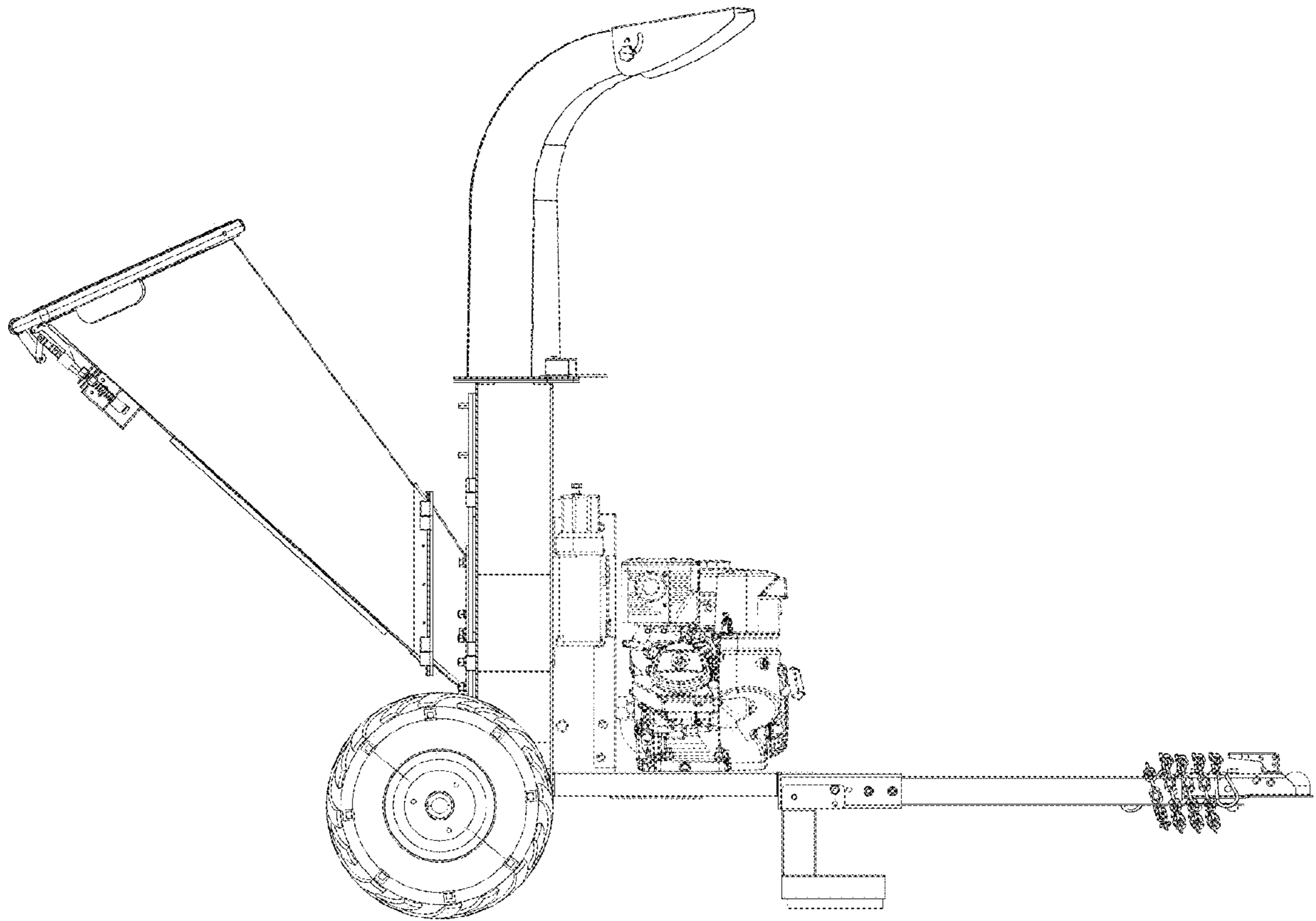


FIG.5

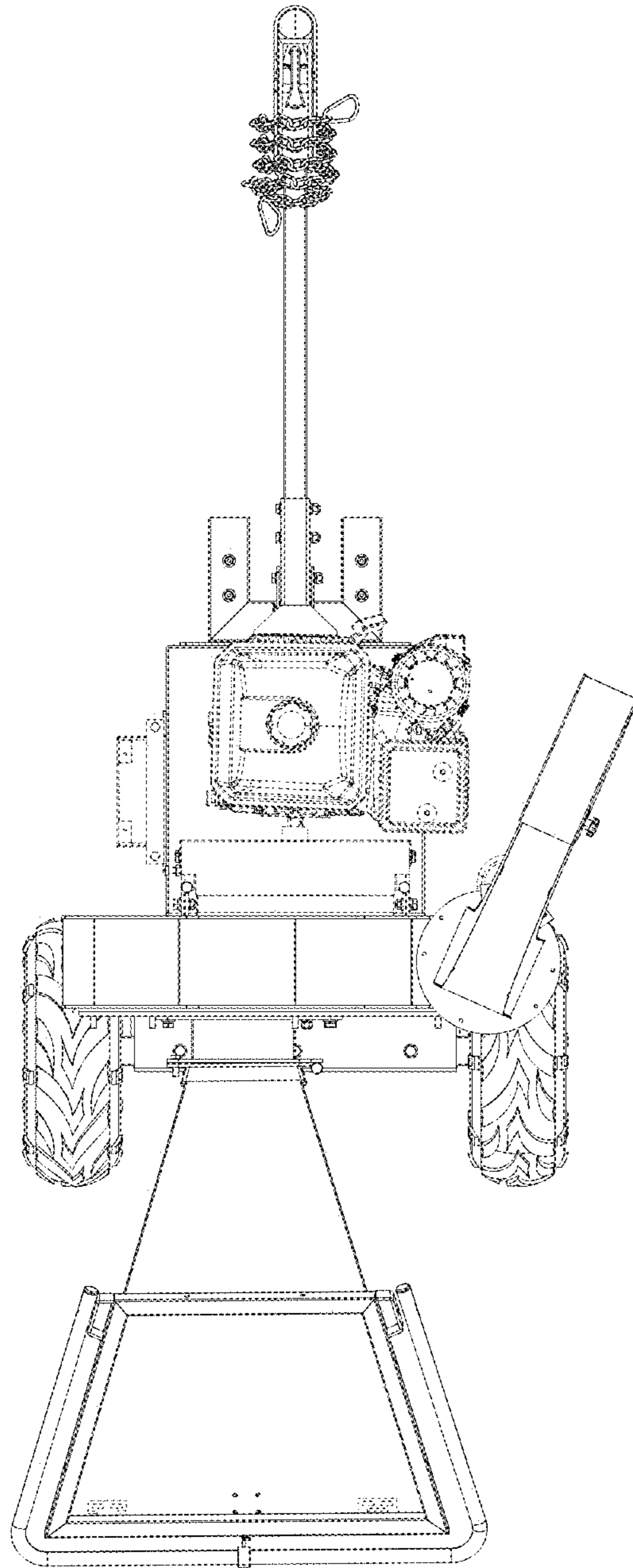


FIG.6



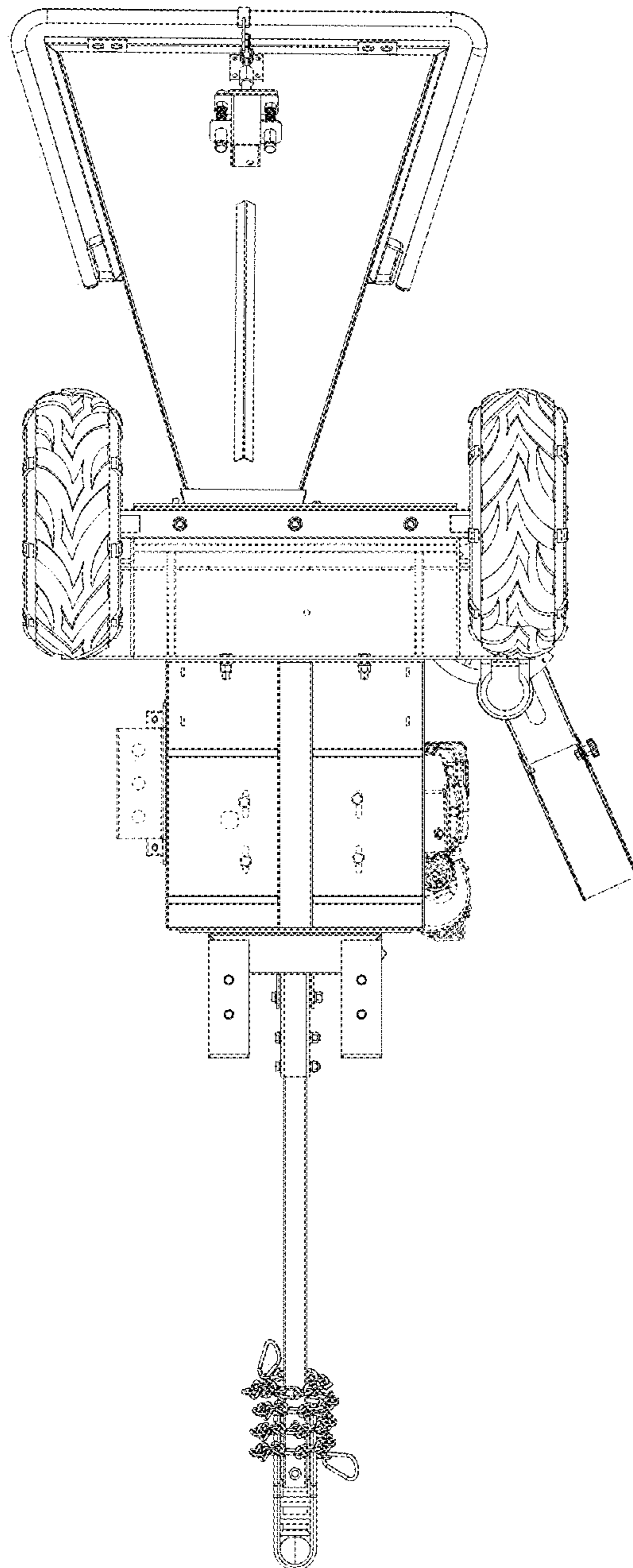


FIG.7