



US00D971269S

(12) **United States Design Patent** (10) **Patent No.:** **US D971,269 S**  
**Balma** (45) **Date of Patent:** **\*\* Nov. 29, 2022**

(54) **COMPRESSOR SHELL**  
(71) Applicant: **FNA S.p.A.**, Robassomero (IT)  
(72) Inventor: **Roberto Balma**, Robassomero (IT)  
(73) Assignee: **FNA S.P.A.**, Robassomero (IT)  
(\*\*) Term: **15 Years**

D902,259 S 11/2020 Vintzel et al.  
D919,667 S \* 5/2021 Bader ..... D15/7  
D935,392 S \* 11/2021 Shum ..... D13/107  
D935,487 S \* 11/2021 Chen ..... D15/7  
D941,364 S \* 1/2022 Balma ..... D15/9  
2013/0062140 A1 3/2013 White et al.  
2016/0290329 A1 10/2016 Hernandez et al.  
2019/0120222 A1 4/2019 Hathcock et al.  
2020/0378394 A1 12/2020 Morimura et al.

(21) Appl. No.: **29/819,290**  
(22) Filed: **Dec. 14, 2021**

**Related U.S. Application Data**

(62) Division of application No. 29/709,701, filed on Oct. 16, 2019, now Pat. No. Des. 941,364.

**Foreign Application Priority Data**

Apr. 16, 2019 (EM) ..... 006379418

(51) **LOC (13) Cl.** ..... **15-02**

(52) **U.S. Cl.**  
USPC ..... **D15/9; D15/7**

(58) **Field of Classification Search**  
USPC ..... D15/7-9; D23/231-232; D13/103;  
D24/111

CPC .... F04B 41/00; F04B 41/02-06; F04B 31/00;  
F04B 35/00; F04B 53/92; F04B 1/005;  
F04B 23/00; F02M 37/04; F02M 37/14  
See application file for complete search history.

(56) **References Cited**

**U.S. PATENT DOCUMENTS**

D667,467 S 9/2012 Kosugi et al.  
D668,683 S 10/2012 Balma  
D680,555 S 4/2013 Craig et al.  
D710,903 S 8/2014 Vintzel et al.  
D776,168 S 1/2017 Balma  
D898,776 S 10/2020 Gao

**OTHER PUBLICATIONS**

Non-Final Office Action received for U.S. Appl. No. 29/819,289, dated Feb. 2, 2022, 13 pages.

Notice of Allowance received for U.S. Appl. No. 29/819,289, dated May 31, 2022, 6 pages.

(Continued)

*Primary Examiner* — Calvin E Vansant

*Assistant Examiner* — Mark T. Philipps

(74) *Attorney, Agent, or Firm* — Workman Nydegger

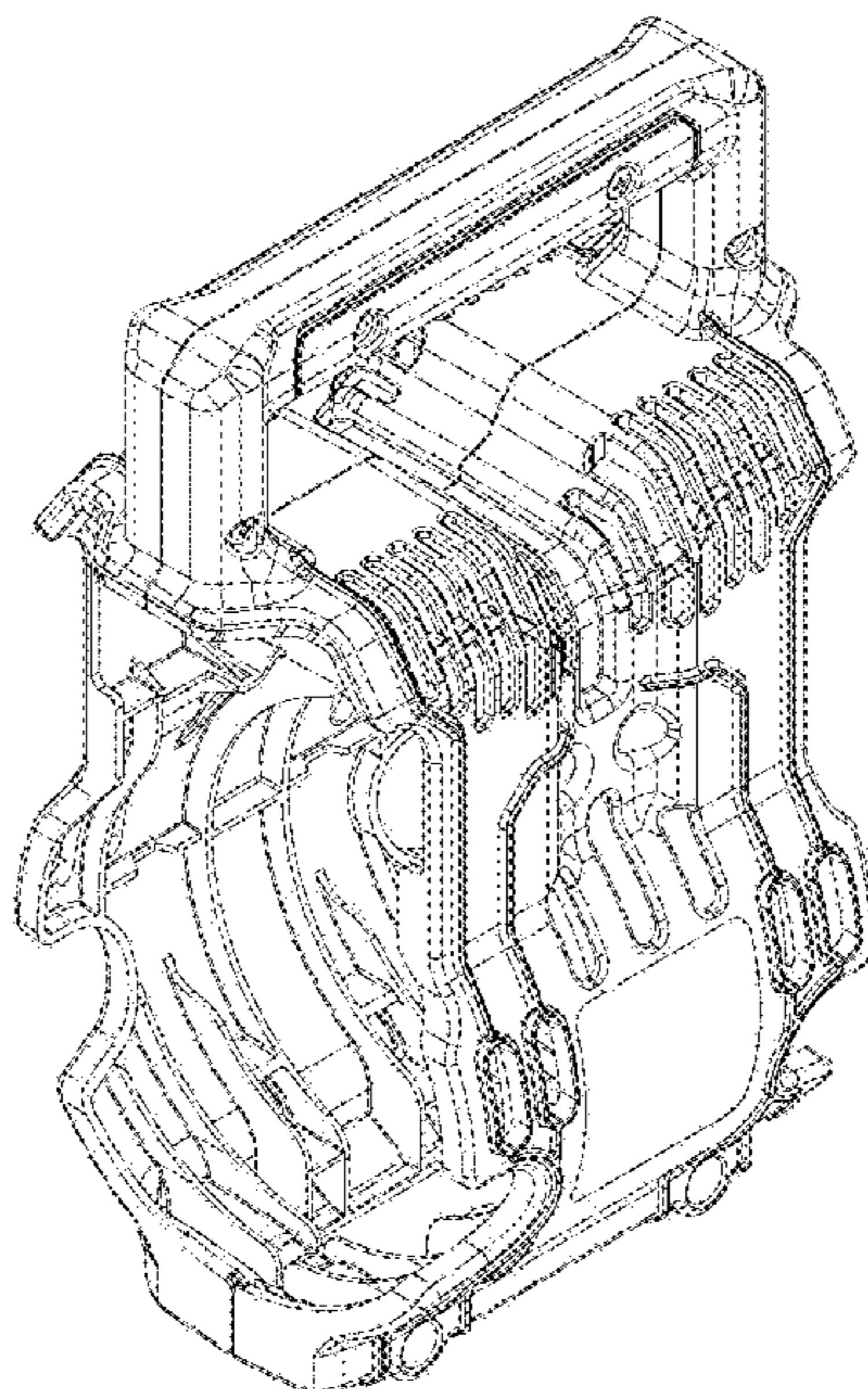
(57) **CLAIM**

The ornamental design for a compressor shell, as shown and described.

**DESCRIPTION**

FIG. 1 is a top, front, right perspective view of a compressor shell in accordance with the present invention;  
FIG. 2 is an elevated right side view thereof;  
FIG. 3 is an elevated rear view thereof;  
FIG. 4 is an elevated left side view thereof;  
FIG. 5 is an elevated facing thereof;  
FIG. 6 is a top plan view thereof;  
FIG. 7 is a bottom plan view thereof; and,  
FIG. 8 is a top, front right perspective view of the compressor in an ordinary use environment.  
The broken lines depict portions of the article that form no part of the claimed design.

**1 Claim, 8 Drawing Sheets**



(56)

**References Cited**

OTHER PUBLICATIONS

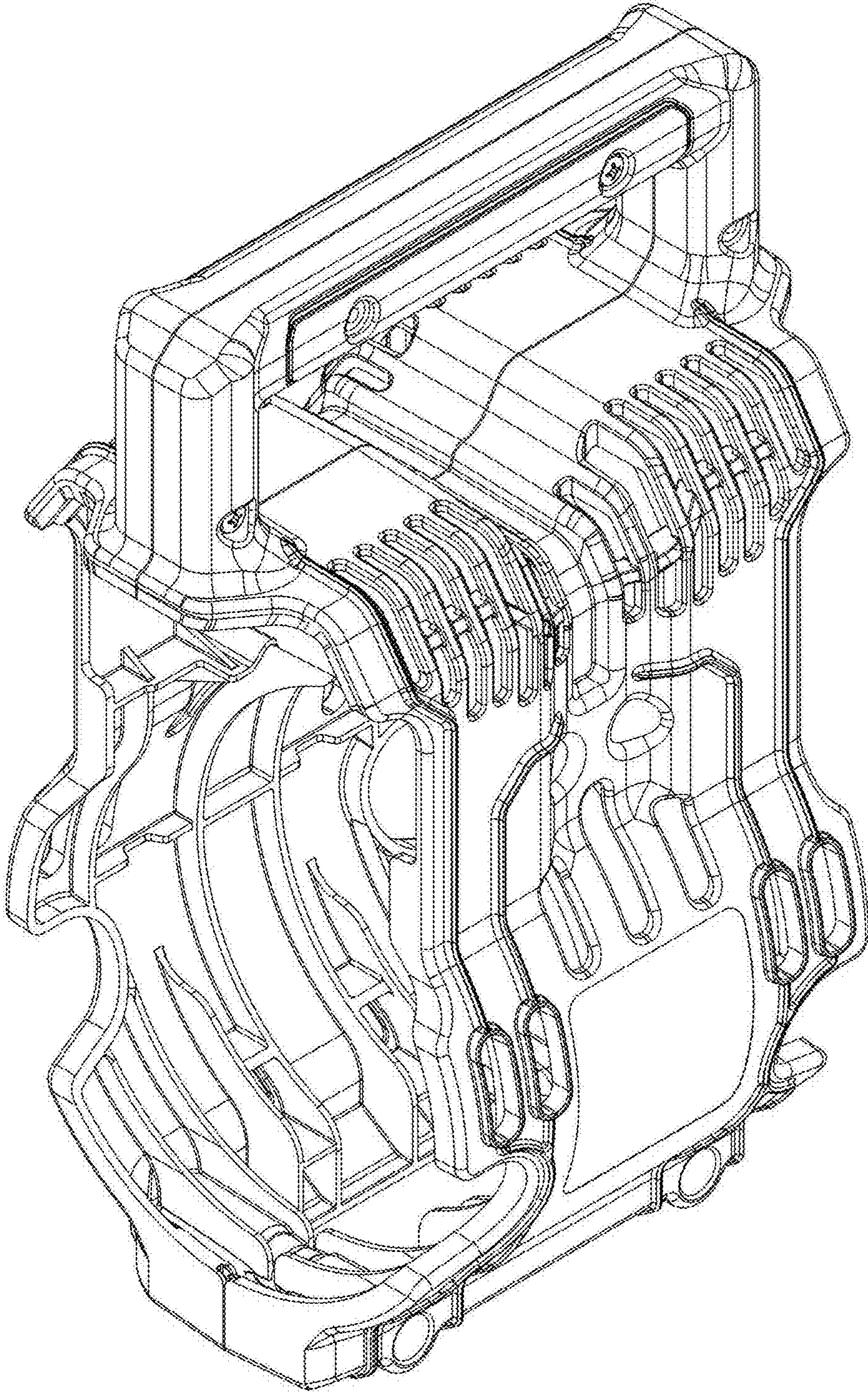
FINI, FINI Siltek S/6 Quiet Compressor, (first available Sep. 14, 2019), Amazon.de website, URL:<<https://www.amazon.de/dp/B07XVSGQ1T>> (Year: 2019).

FINI, “I’m not an expert but great compressor”—FINI Siltek S/6 Quiet Compressor review by Frederico, (customer review date Oct. 14, 2019), Amazon.it website, URL:<[https://www.amazon.it/SILTEK-Compressore-Silenzioso-Manometri1-Rosso/product-reviews/S07XVSGQ1T/ref=cm\\_cr\\_getr\\_d\\_paging\\_btm\\_prev\\_11?ie=UTF8&reviewerType=all\\_reviews&sortBy=recent&pageNumber=11](https://www.amazon.it/SILTEK-Compressore-Silenzioso-Manometri1-Rosso/product-reviews/S07XVSGQ1T/ref=cm_cr_getr_d_paging_btm_prev_11?ie=UTF8&reviewerType=all_reviews&sortBy=recent&pageNumber=11)> (Year: 2019).

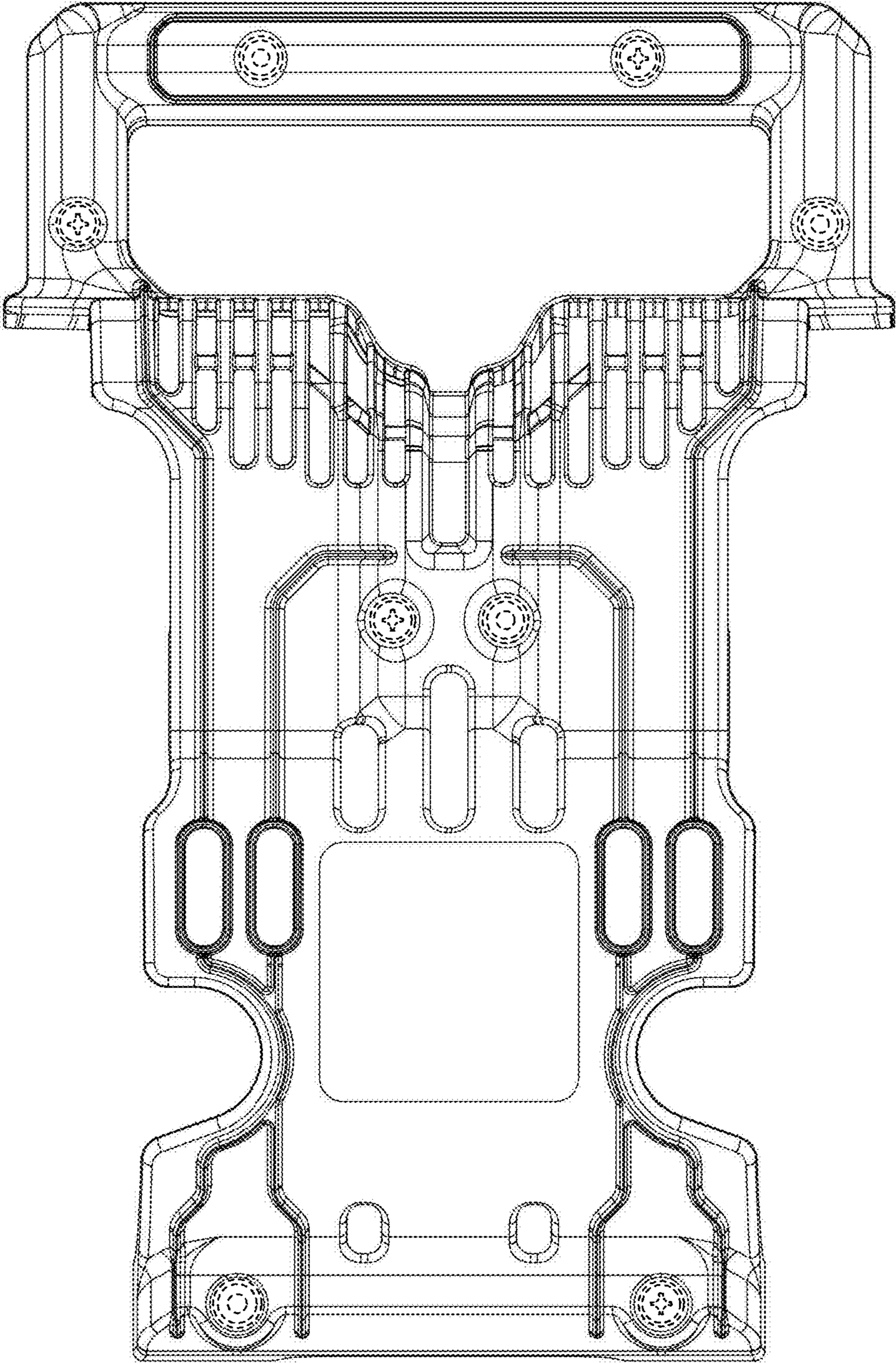
U.S. Appl. No. 29,709,701, May 12, 2021, Office Action.

U.S. Appl. No. 29/709,701, Sep. 13, 2021, Notice of Allowance.

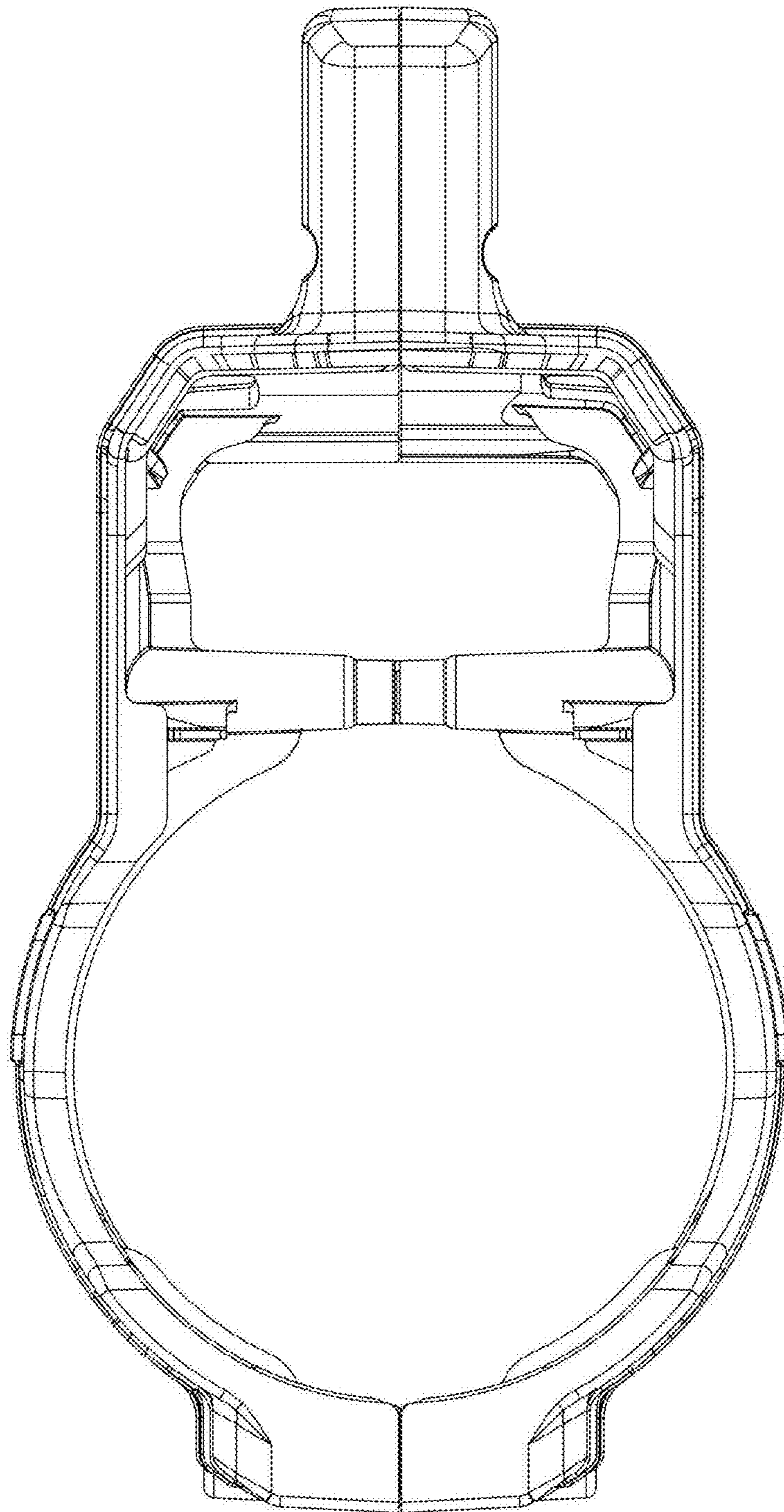
\* cited by examiner



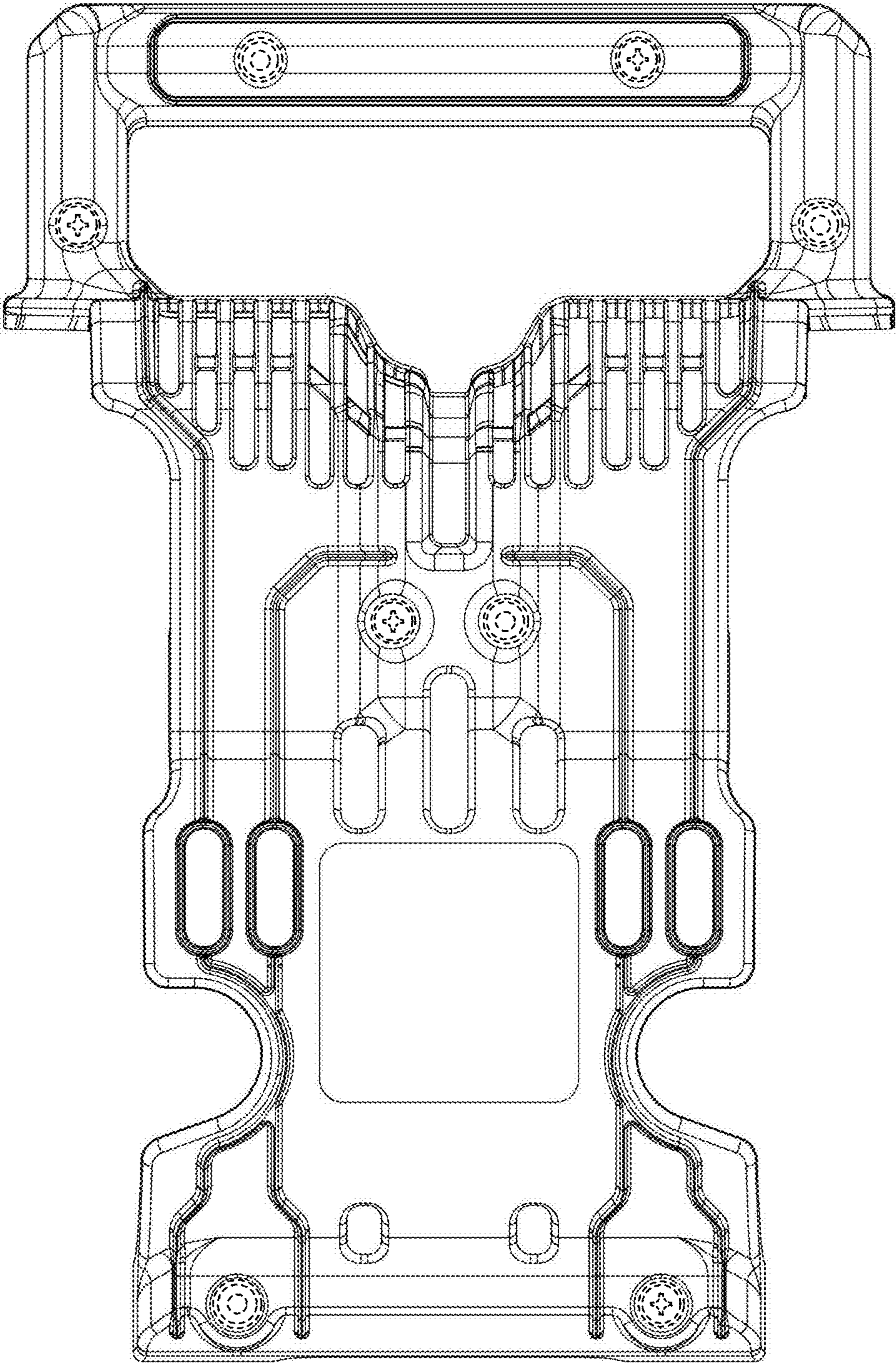
**FIG. 1**



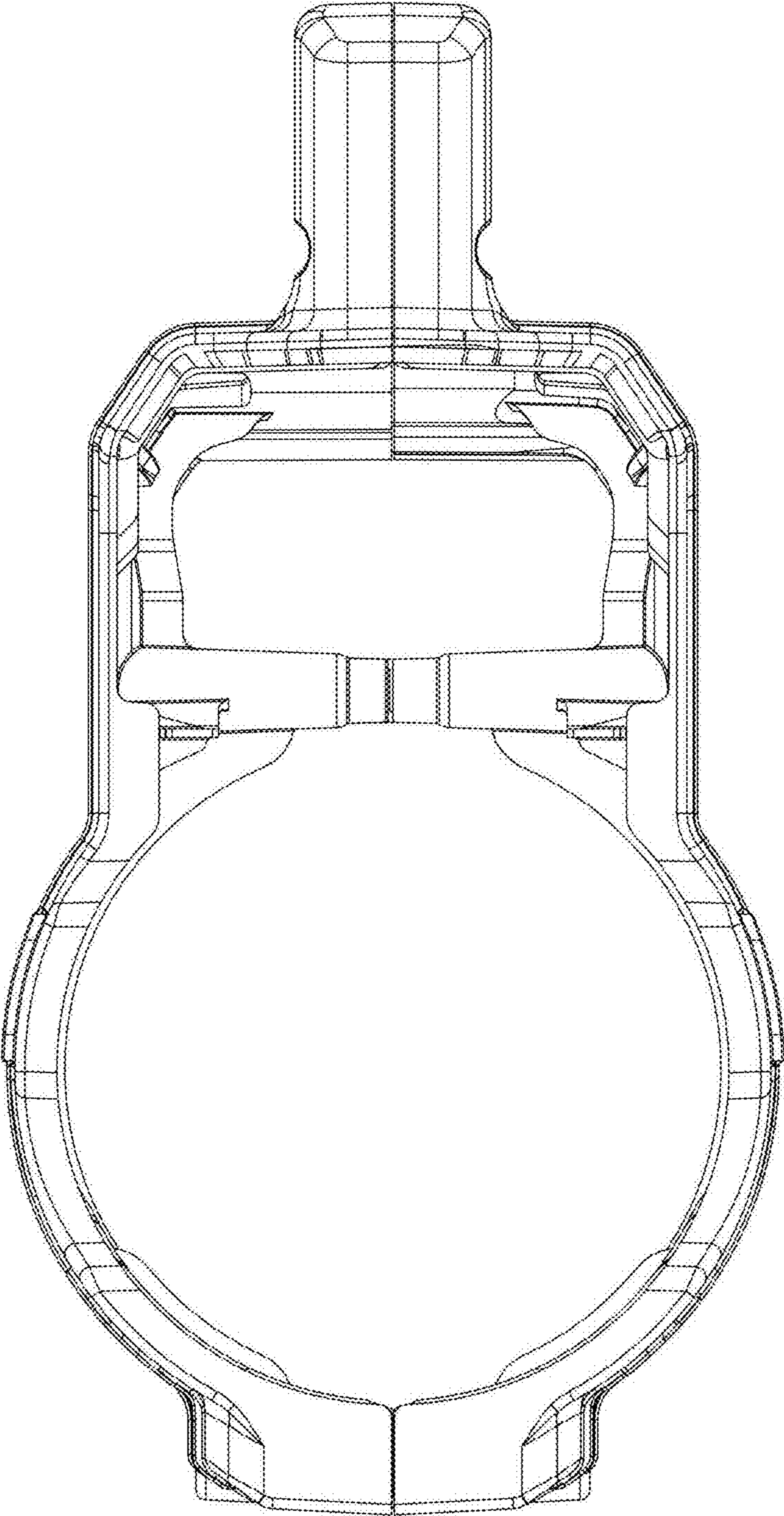
**FIG. 2**



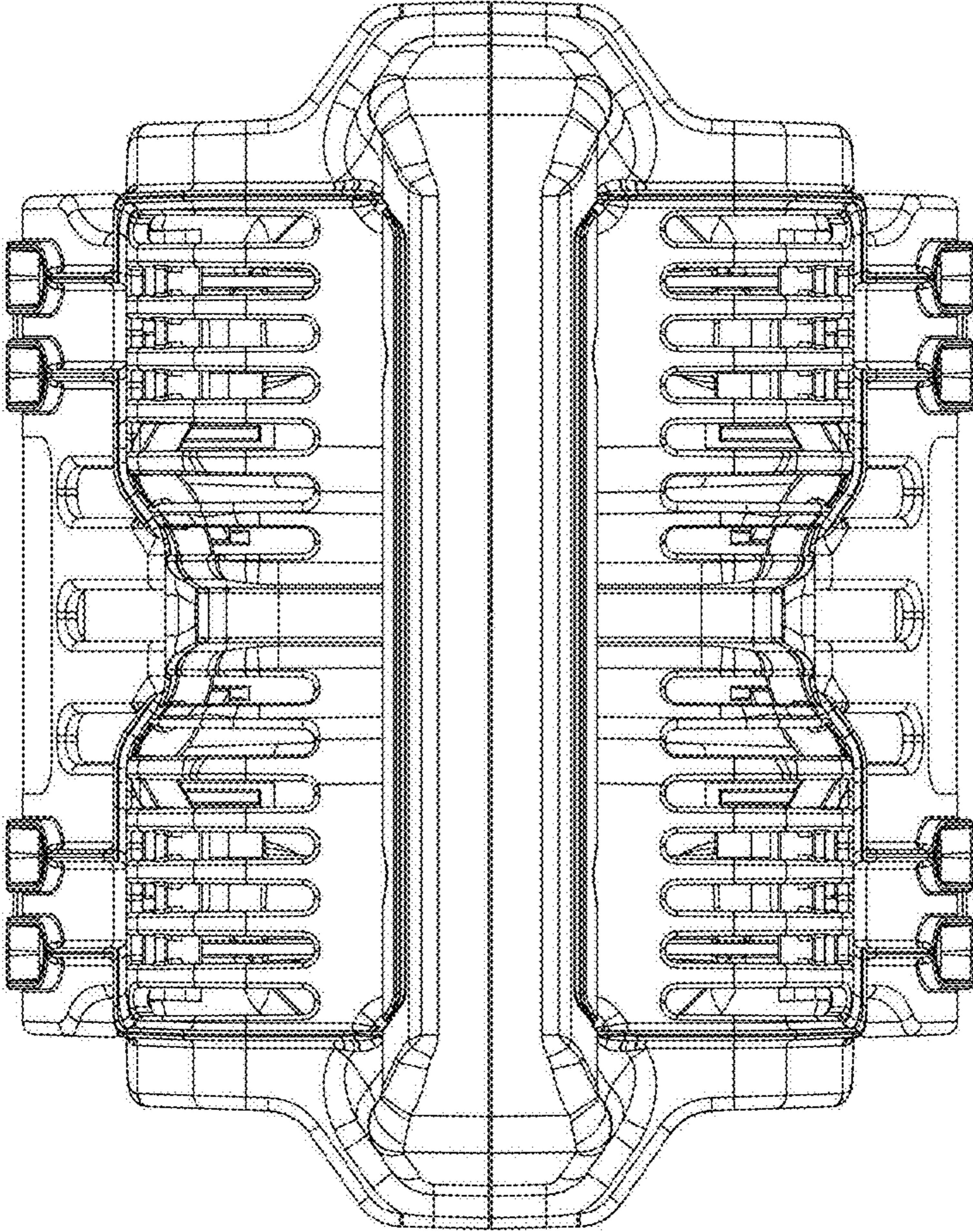
**FIG. 3**



**FIG. 4**

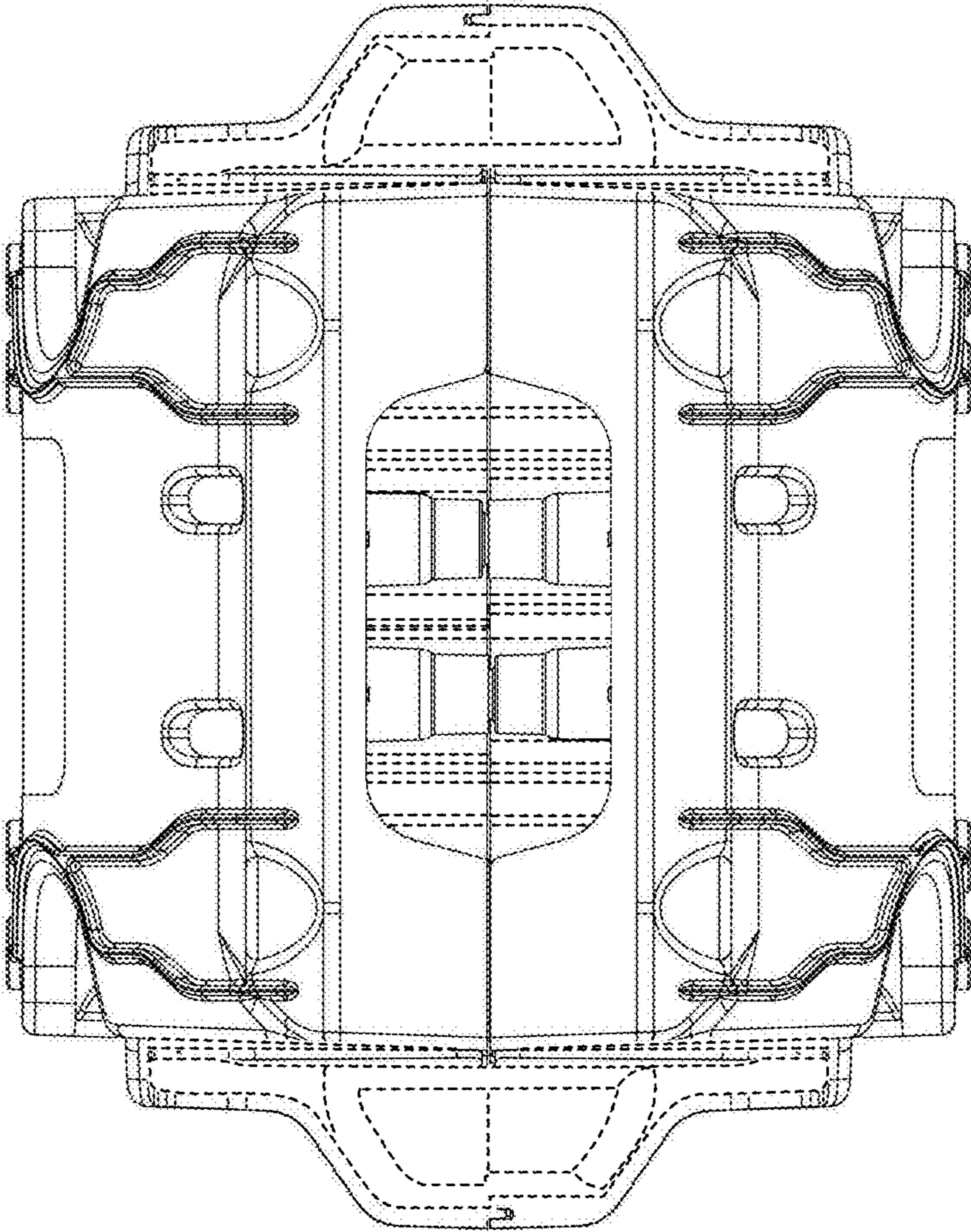


**FIG. 5**

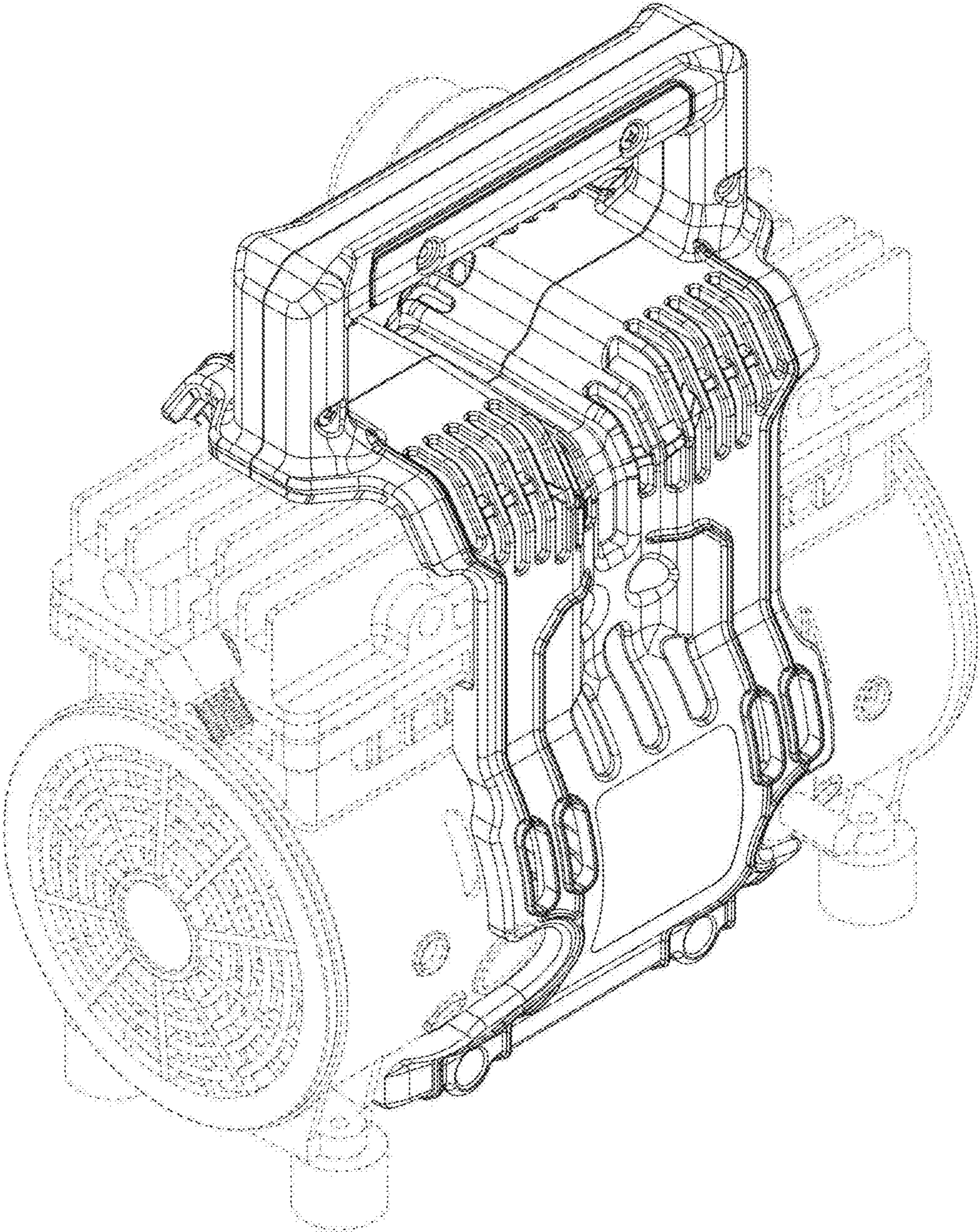


**FIG. 6**





**FIG. 7**



**FIG. 8**