



US00D971268S

(12) **United States Design Patent** (10) **Patent No.:** **US D971,268 S**
Long (45) **Date of Patent:** **** Nov. 29, 2022**

(54) **PORTABLE AIR COMPRESSOR**

(71) Applicant: **Cheng Long, Yuyao (CN)**

(72) Inventor: **Cheng Long, Yuyao (CN)**

(**) Term: **15 Years**

(21) Appl. No.: **29/735,990**

(22) Filed: **May 27, 2020**

(51) **LOC (13) Cl.** **15-09**

(52) **U.S. Cl.**
USPC **D15/9**

(58) **Field of Classification Search**

USPC D15/7-9; D23/231, 232
CPC F04B 27/00; F04B 35/04; F04B 39/16;
F04B 39/121; F04B 41/02; F04D 25/068;
F04D 29/584; F04D 29/403; F04D
29/5813

See application file for complete search history.

(56) **References Cited**

U.S. PATENT DOCUMENTS

D588,612 S *	3/2009	Steinfels	D15/7
D658,208 S *	4/2012	Moser, III	D15/9
D662,518 S *	6/2012	Anderson	D15/9
D776,168 S *	1/2017	Balma	D15/9
D792,472 S *	7/2017	Kirkpatrick	D15/7
D864,254 S *	10/2019	Zhang	D15/9
D875,788 S *	2/2020	Tuang	D15/9
D879,155 S *	3/2020	Liu	D15/7
D880,531 S *	4/2020	Gao	D15/9
D896,281 S *	9/2020	Long	D15/9
D898,776 S *	10/2020	Gao	D15/9
D917,576 S *	4/2021	Matteo	D15/7
D917,579 S *	4/2021	Nishido	D15/9
D947,903 S *	4/2022	Francis	D15/7

2018/0320677 A1*	11/2018	Thackery	F04B 41/02
2022/0042501 A1*	2/2022	Nishido	F04B 41/02
2022/0112903 A1*	4/2022	Wang	F04D 29/584

OTHER PUBLICATIONS

VacLife Air Compressor Tire Inflator, DC 12V Air Pump for Car Tires, Bicycles and Other Inflatables, Auto Portable Air Compressor for Car Tires with LED Light & 11.5 Feet Long Power Cord, <https://www.amazon.com/VacLife-Compressor-Inflator-Bicycles-Inflatables/dp/B082VZPP23>; Date First Available Mar. 8, 2020.

* cited by examiner

Primary Examiner — Darlington Ly

(74) *Attorney, Agent, or Firm* — Rumit Ranjit Kanakia

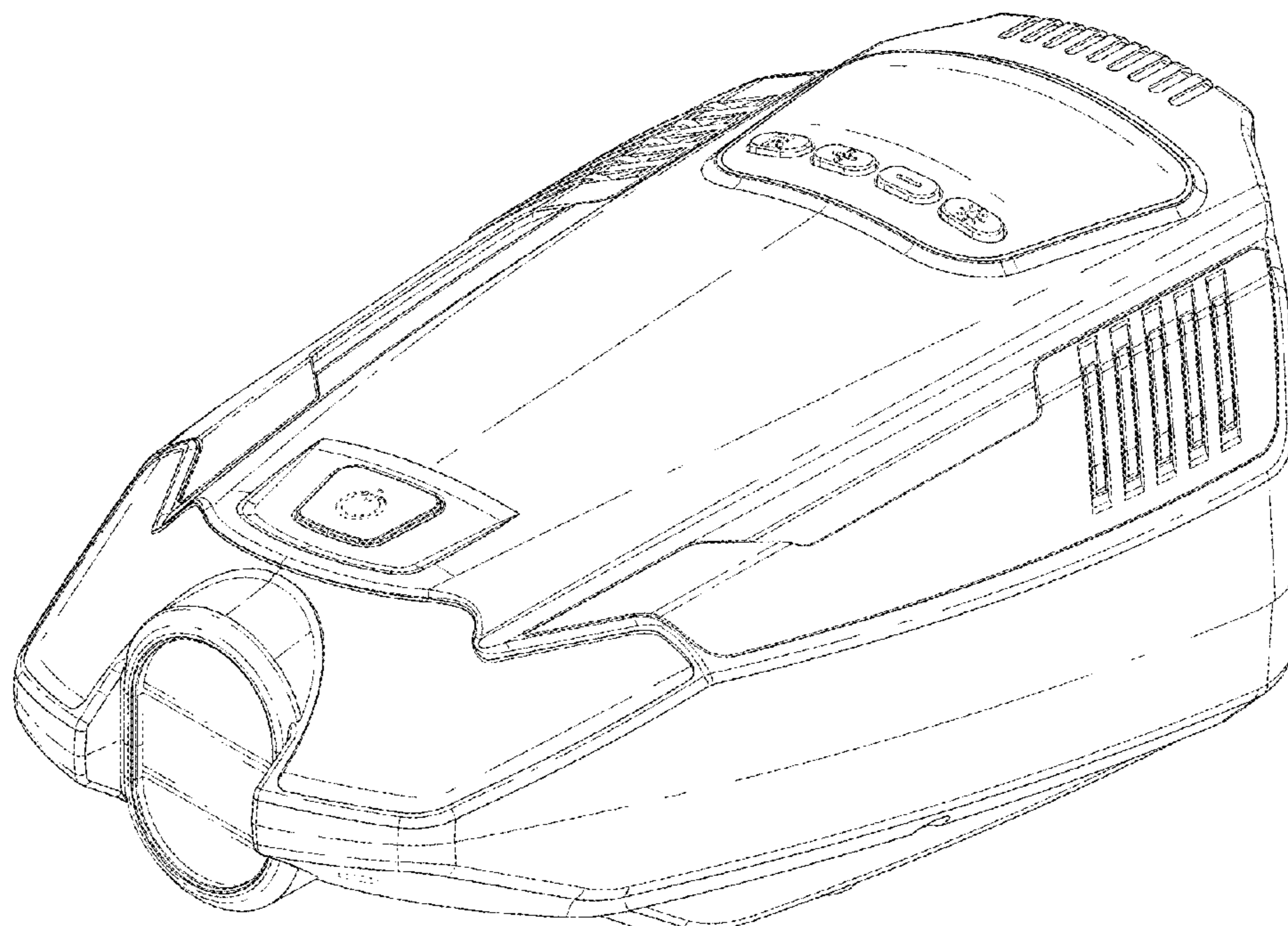
(57) **CLAIM**

The ornamental design for a portable air compressor, as shown and described.

DESCRIPTION

FIG. 1 is a perspective view of a portable air compressor embodying my new design;
FIG. 2 is a front elevation view thereof;
FIG. 3 is a rear elevation view thereof;
FIG. 4 is a right-side elevation view thereof;
FIG. 5 is a left-side elevation view thereof;
FIG. 6 is a top plan view thereof; and,
FIG. 7 is a bottom plan view thereof.
The broken lines in the drawings illustrate portions of the portable air compressor that form no part of the claimed design.

1 Claim, 6 Drawing Sheets



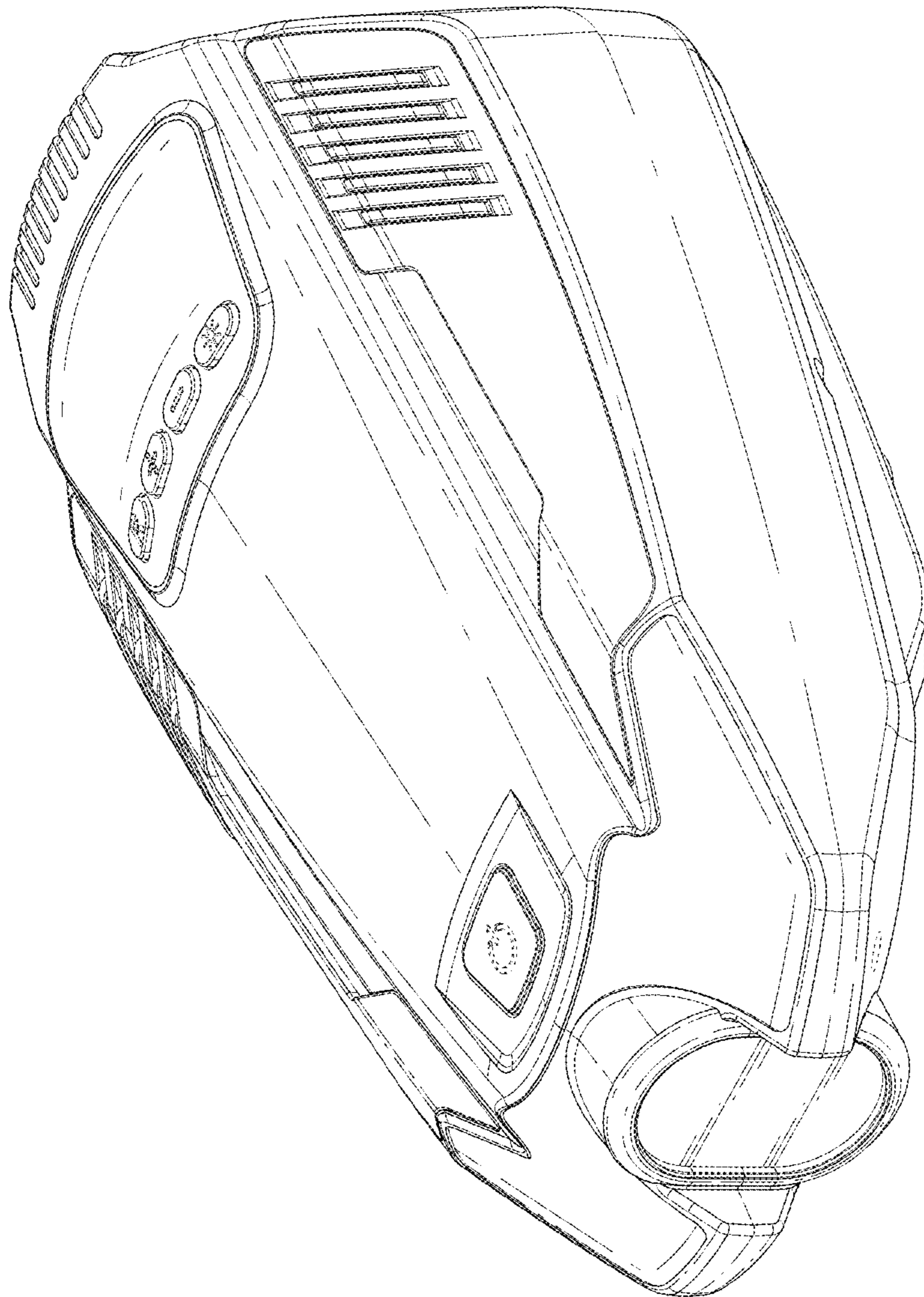


FIG. 1

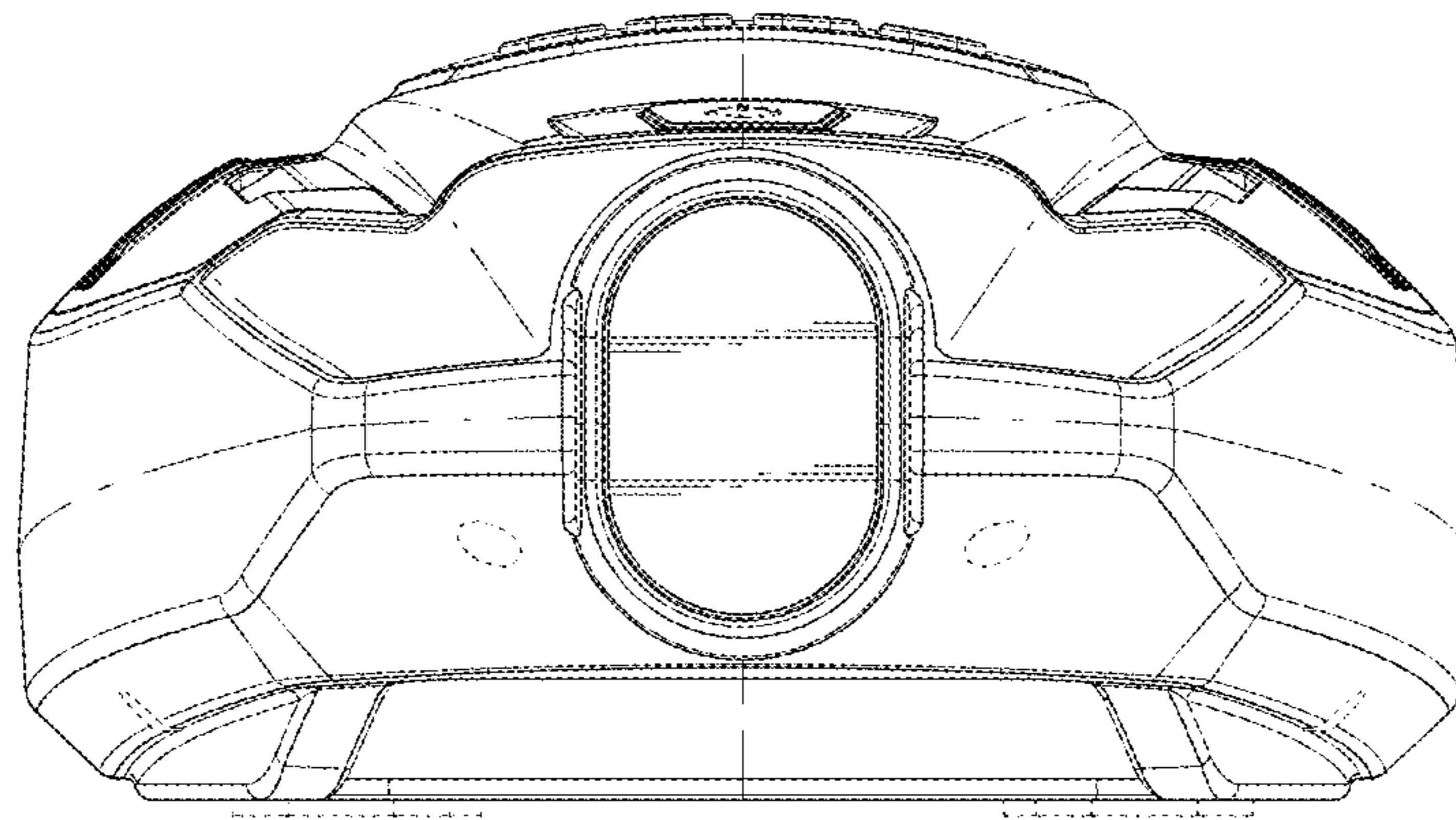


FIG. 2

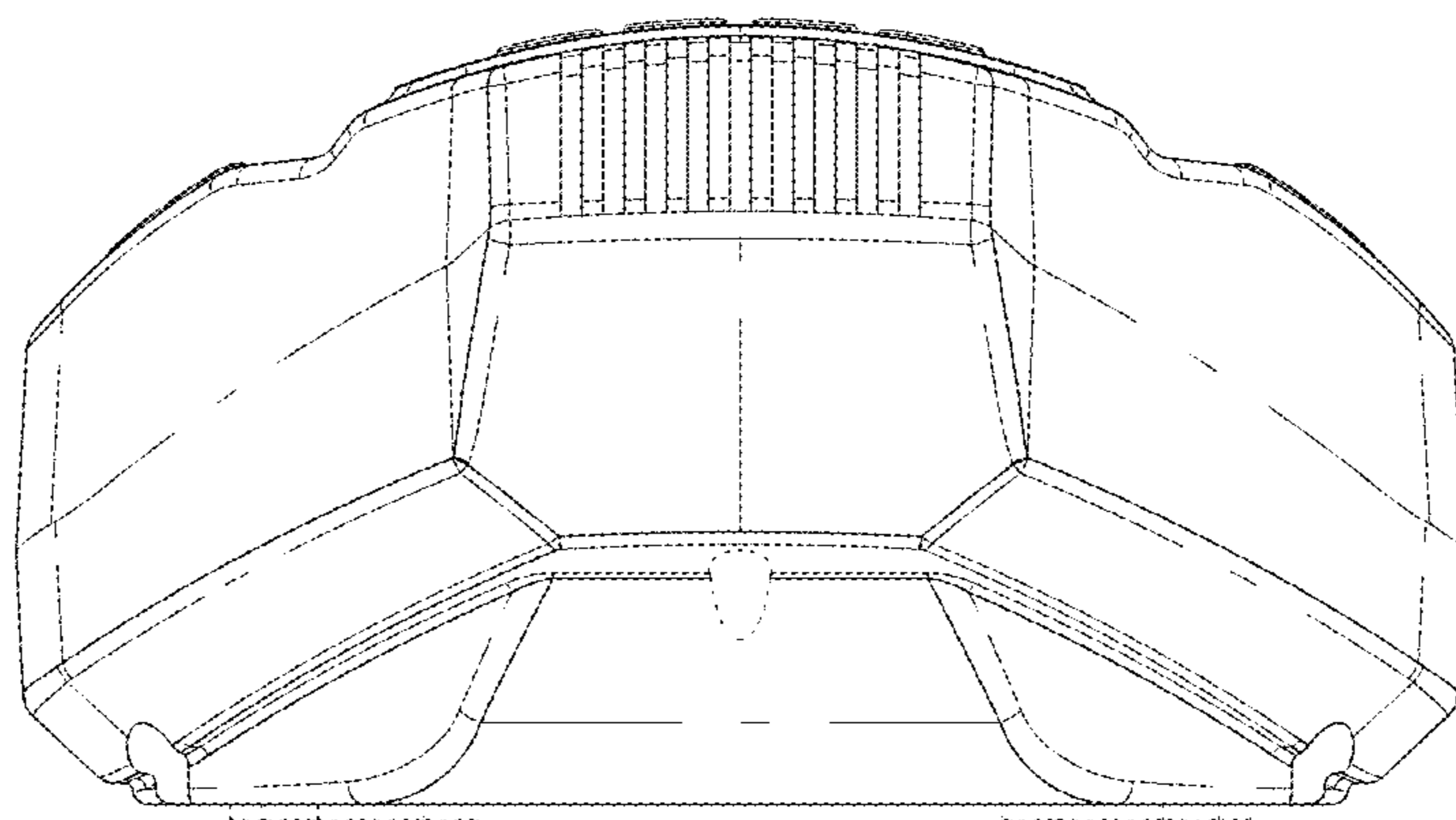


FIG. 3

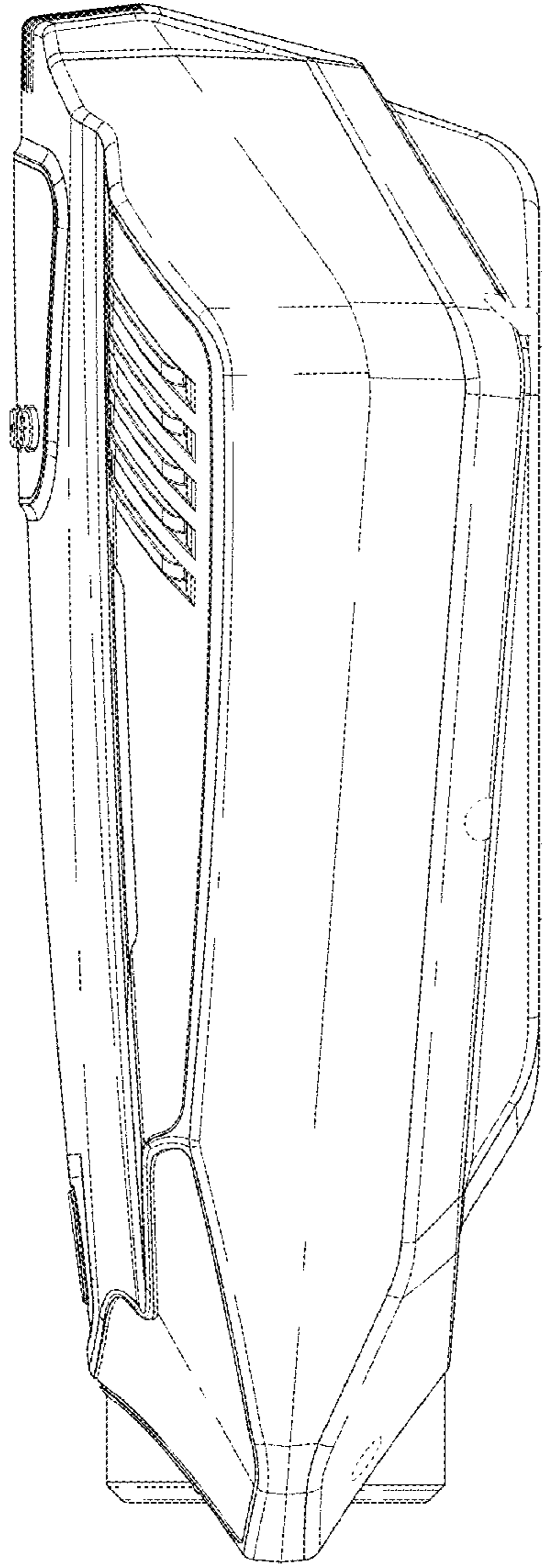


FIG. 4

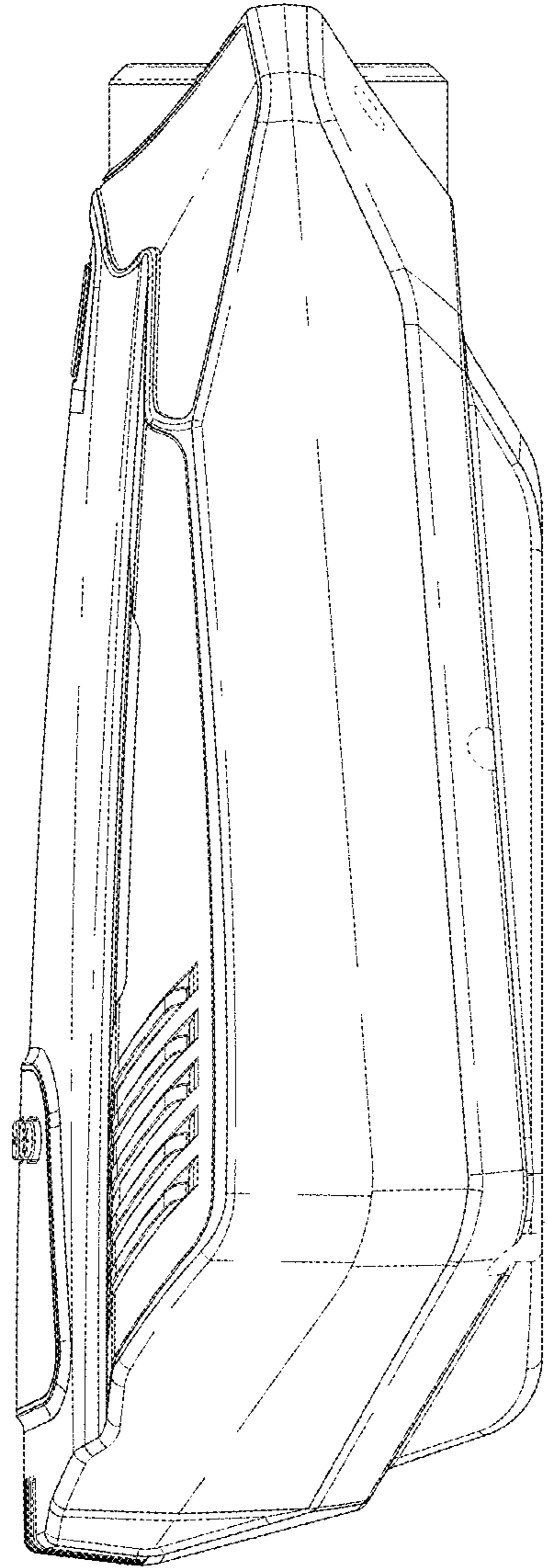


FIG. 5

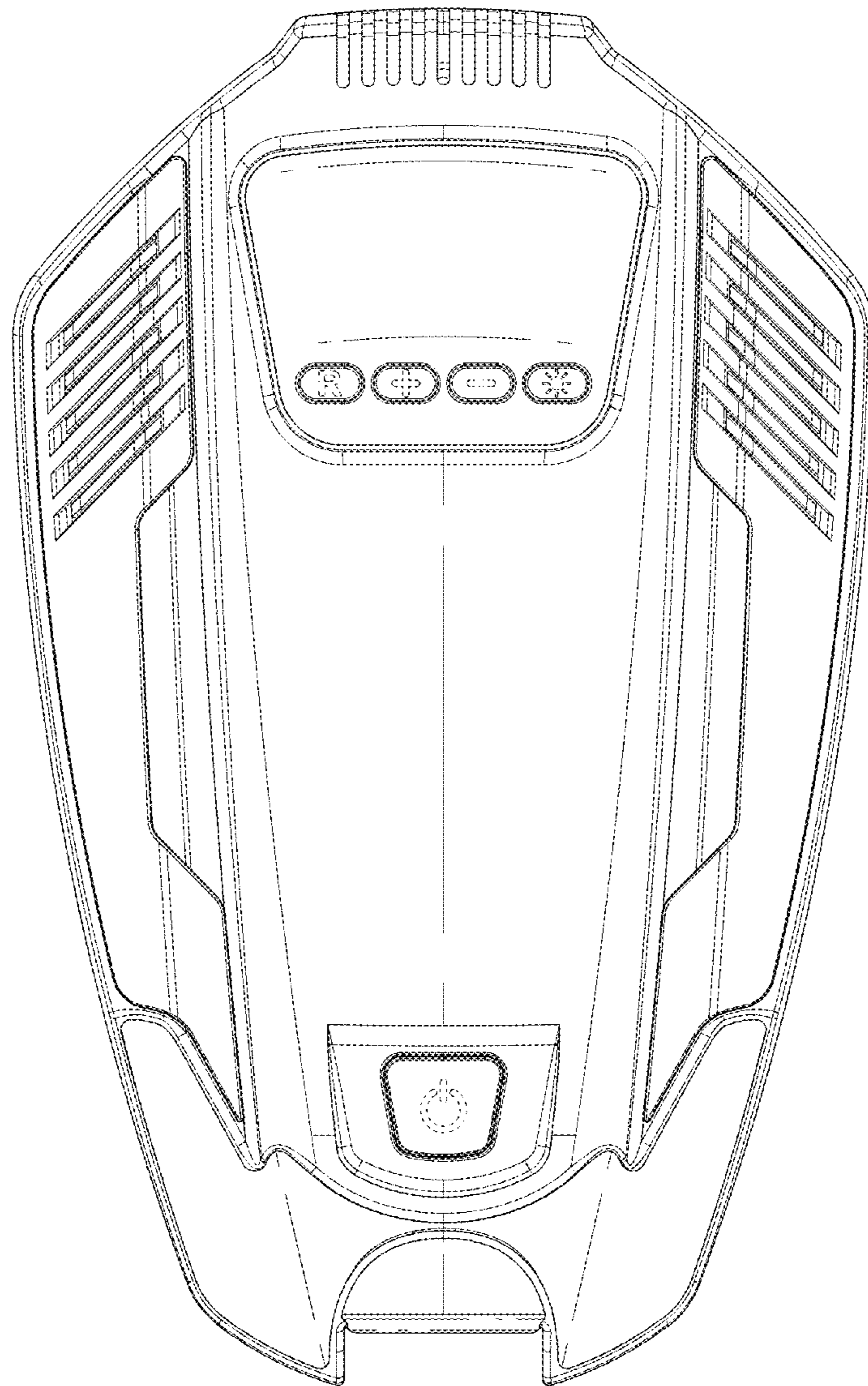


FIG. 6

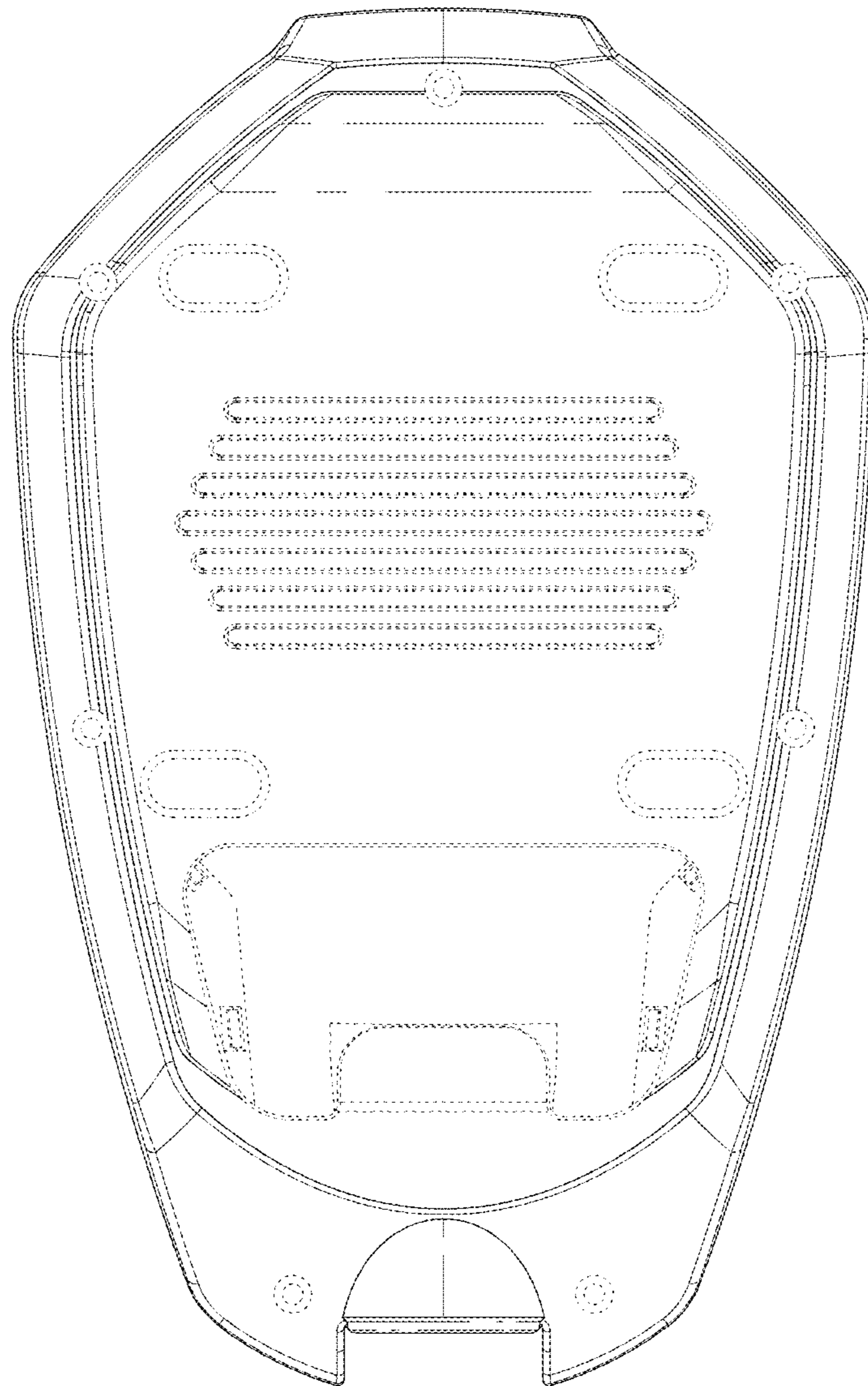


FIG. 7