



US00D971262S

(12) **United States Design Patent** (10) **Patent No.:** **US D971,262 S**
Liu (45) **Date of Patent:** **** Nov. 29, 2022**

(54) **SNORKEL FOR AUTOMOTIVE APPLICATIONS**

(71) Applicant: **Resource Intl Inc.**, New Castle, DE (US)

(72) Inventor: **Ye Liu**, Elkton, MD (US)

(73) Assignee: **Resource Intl Inc.**, New Castle, DE (US)

(**) Term: **15 Years**

(21) Appl. No.: **29/826,405**

(22) Filed: **Feb. 11, 2022**

(51) **LOC (13) Cl.** **15-01**

(52) **U.S. Cl.**
USPC **D15/5**

(58) **Field of Classification Search**
USPC D15/1-5
CPC F02M 35/10091; F02M 35/10222; F02M 35/10295; F02M 35/10321; F02M 35/10262; F02M 35/104; F02M 35/10354; F02M 35/116; F02M 35/10052; F02M 35/10078; F02M 35/112; F02M 35/10085; F02M 31/00; F02M 31/04; F02M 31/042; F02M 31/045; F02M 31/047; F02M 31/093; F02M 35/10144; F02M 35/10039; F02M 35/10347; F02M 35/10334; F02M 35/00; F02M 35/10; F02M 35/10026; F02M 35/044

See application file for complete search history.

(56) **References Cited**

U.S. PATENT DOCUMENTS

D752,109	S	*	3/2016	Harriton	D15/5
D838,745	S	*	1/2019	Harriton	D15/5
10,393,076	B1	*	8/2019	Freeman	F02M 35/162
10,752,106	B1	*	8/2020	Freeman	B62D 65/16
D948,390	S	*	4/2022	Bonet Molledo	D12/163
2014/0008136	A1	*	1/2014	Bennett	B60K 13/02
						180/68.3
2015/0240760	A1	*	8/2015	Lewington	F02M 35/10013
						55/447

* cited by examiner

Primary Examiner — Ania Aman
(74) *Attorney, Agent, or Firm* — Condo Roccia Koptiw LLP

(57) **CLAIM**

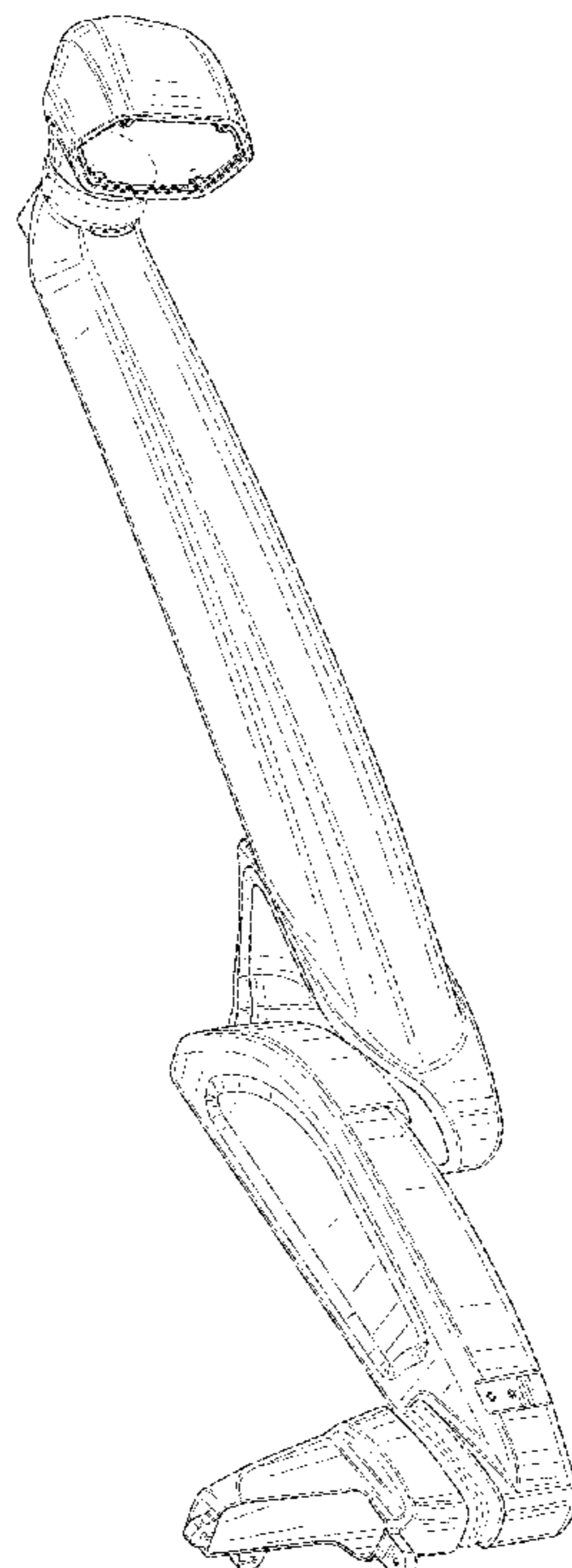
I claim the ornamental design for a snorkel for automotive applications, as shown and described.

DESCRIPTION

FIG. 1 is a perspective view of the snorkel according to the present application;
FIG. 2 is a side view of FIG. 1;
FIG. 3 is a side view of FIG. 1;
FIG. 4 is a top view of FIG. 1;
FIG. 5 is a bottom view of FIG. 1;
FIG. 6 is a front view of FIG. 1; and,
FIG. 7 is a rear view of FIG. 1.

The broken line showing is included for the purpose of illustrating unclaimed subject matter and forms no part of the claimed design.
The shade line showing is included for the purpose of illustrating contour and not surface ornamentation.

1 Claim, 7 Drawing Sheets



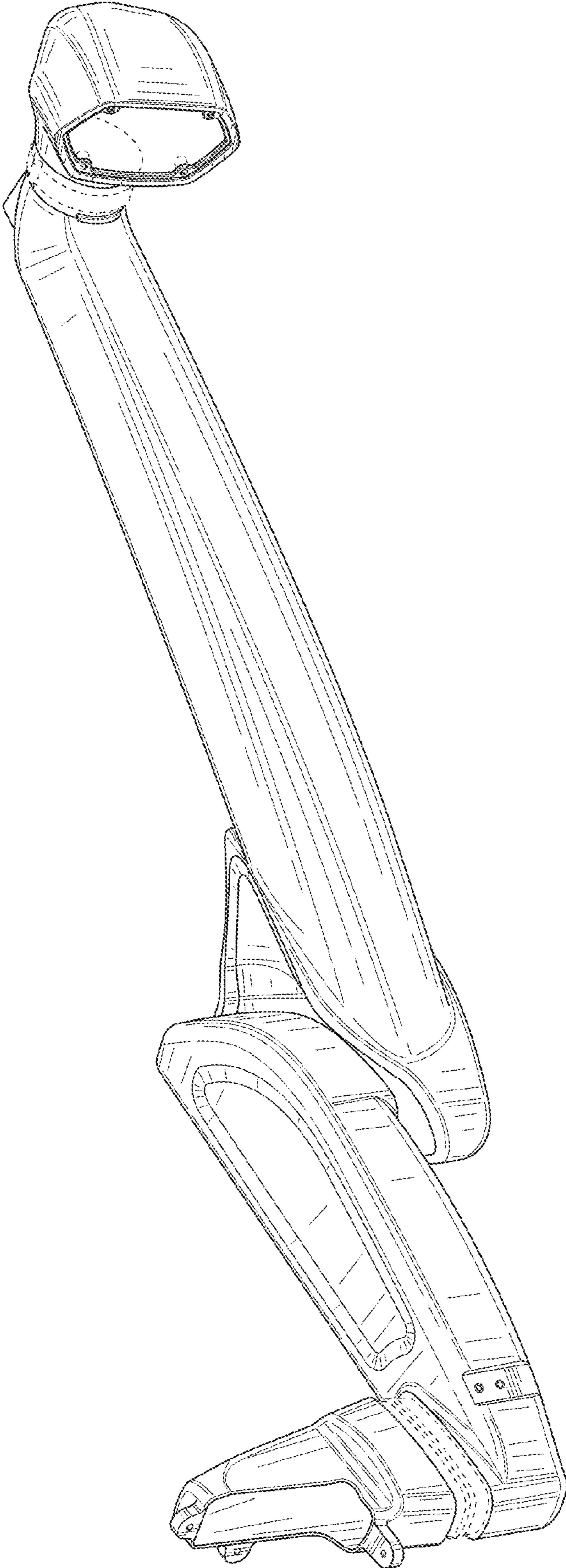


FIG. 1

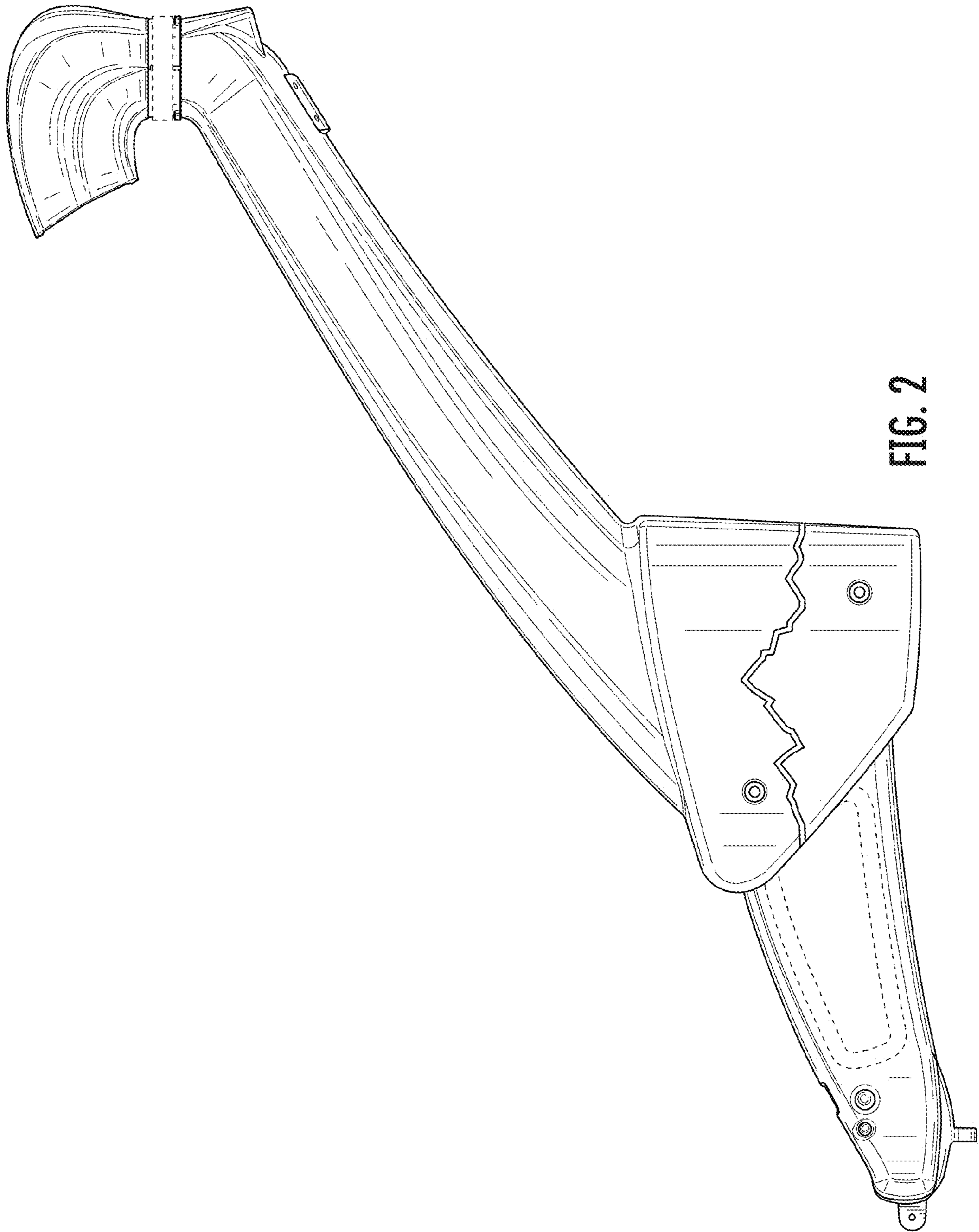


FIG. 2

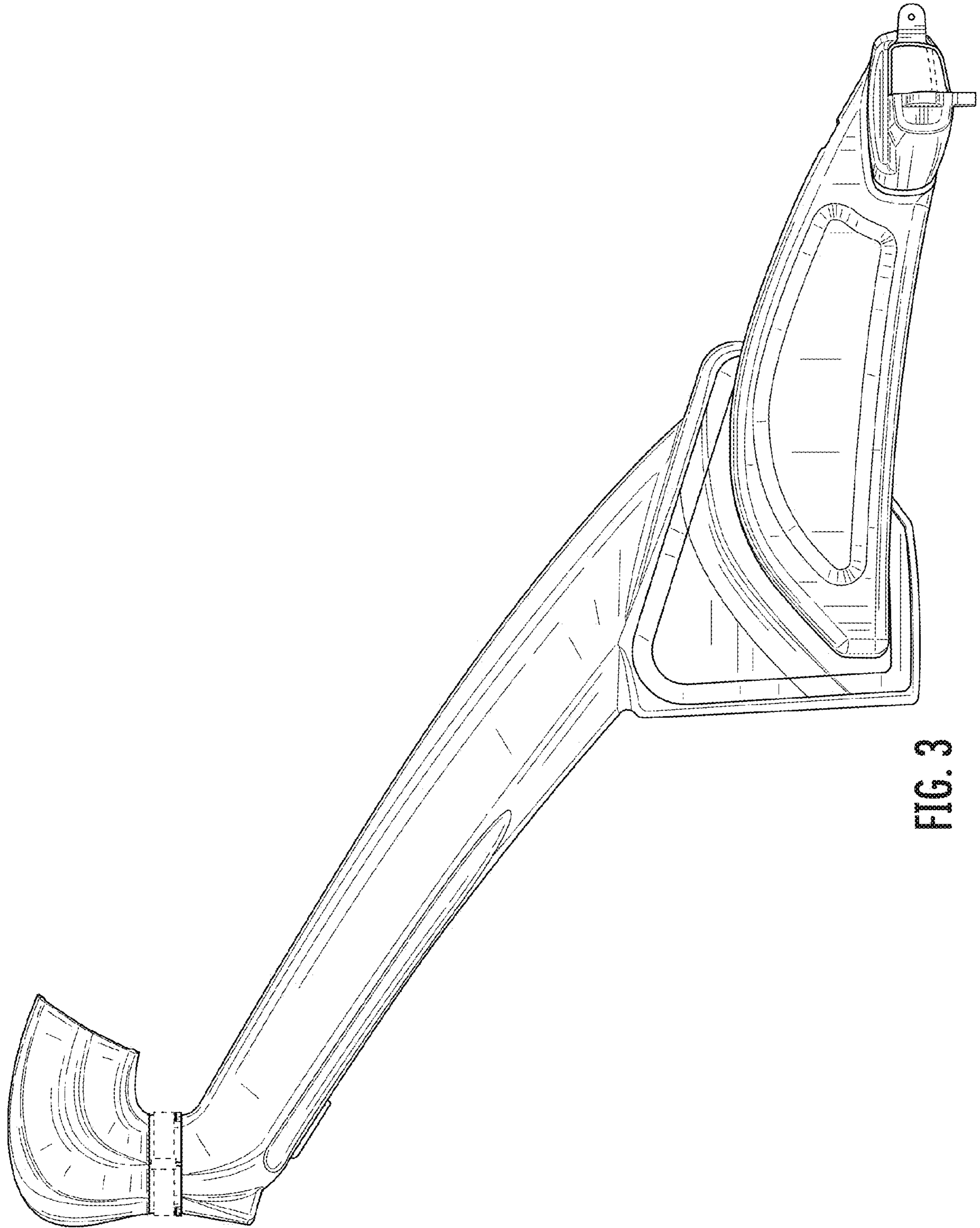


FIG. 3

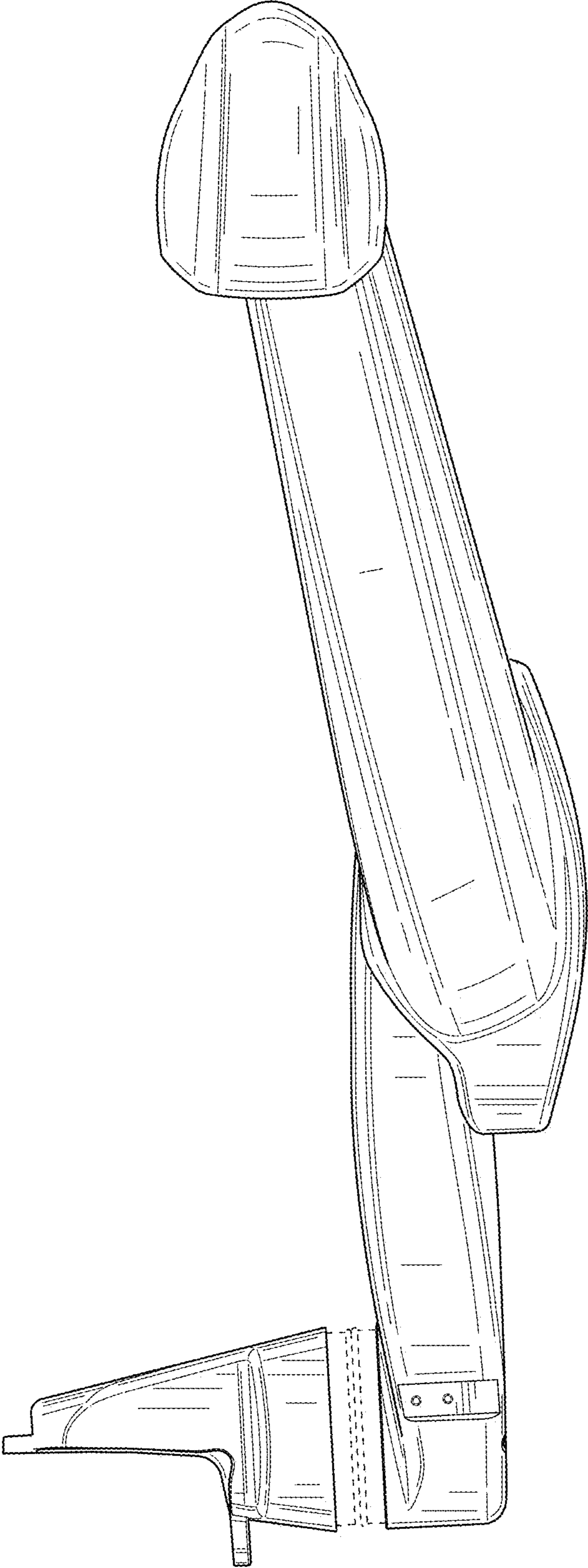


FIG. 4

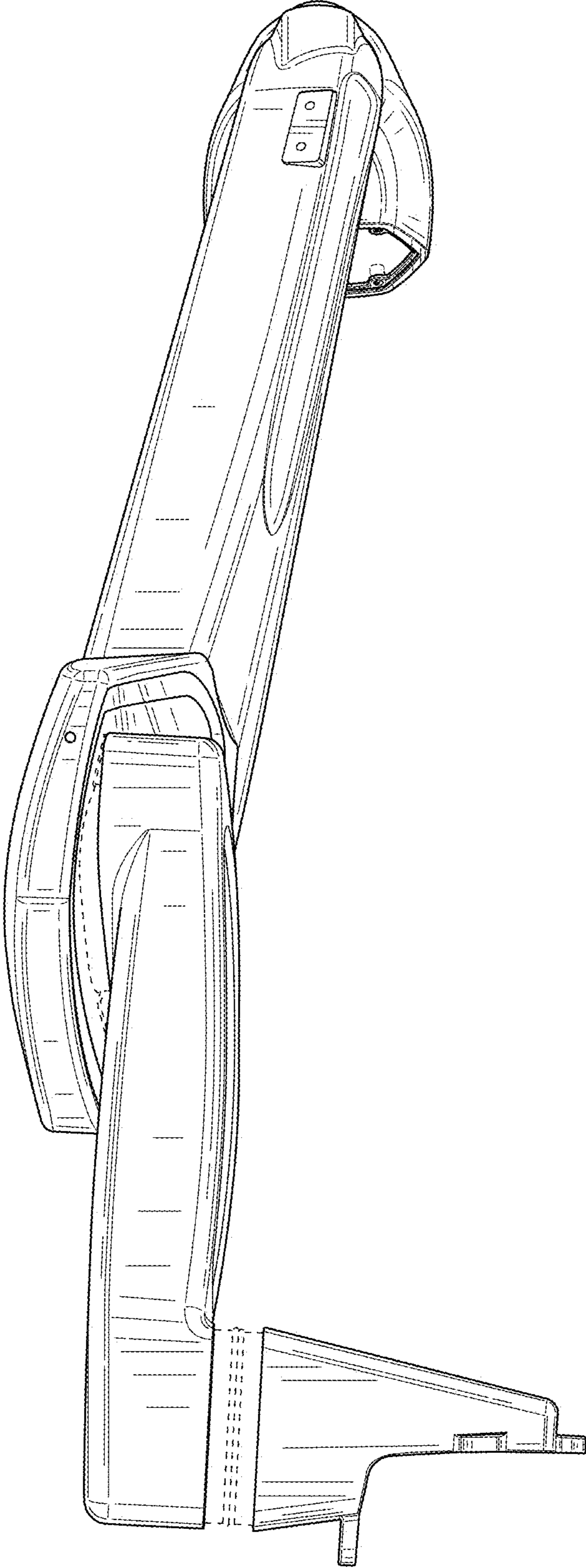


FIG. 5

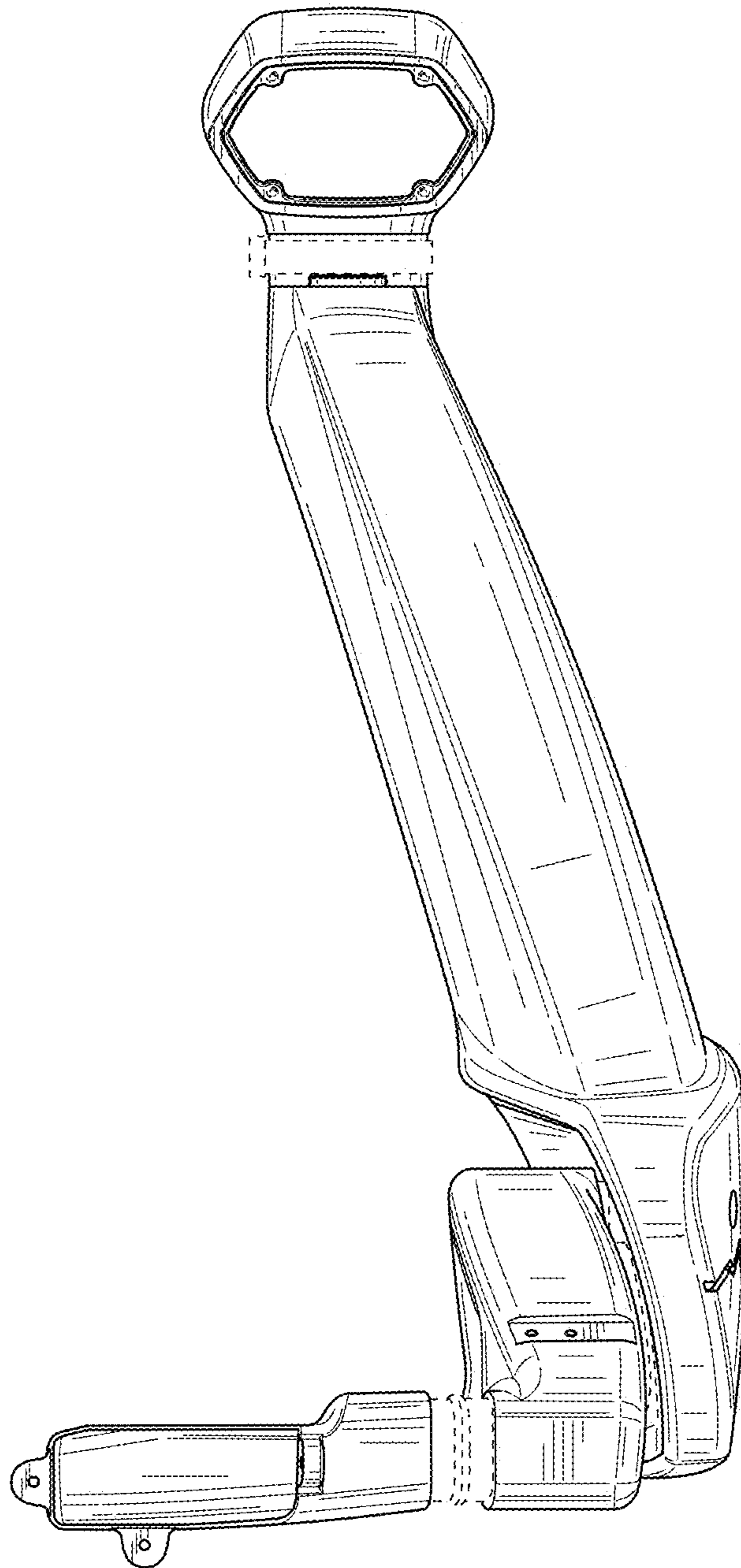


FIG. 6

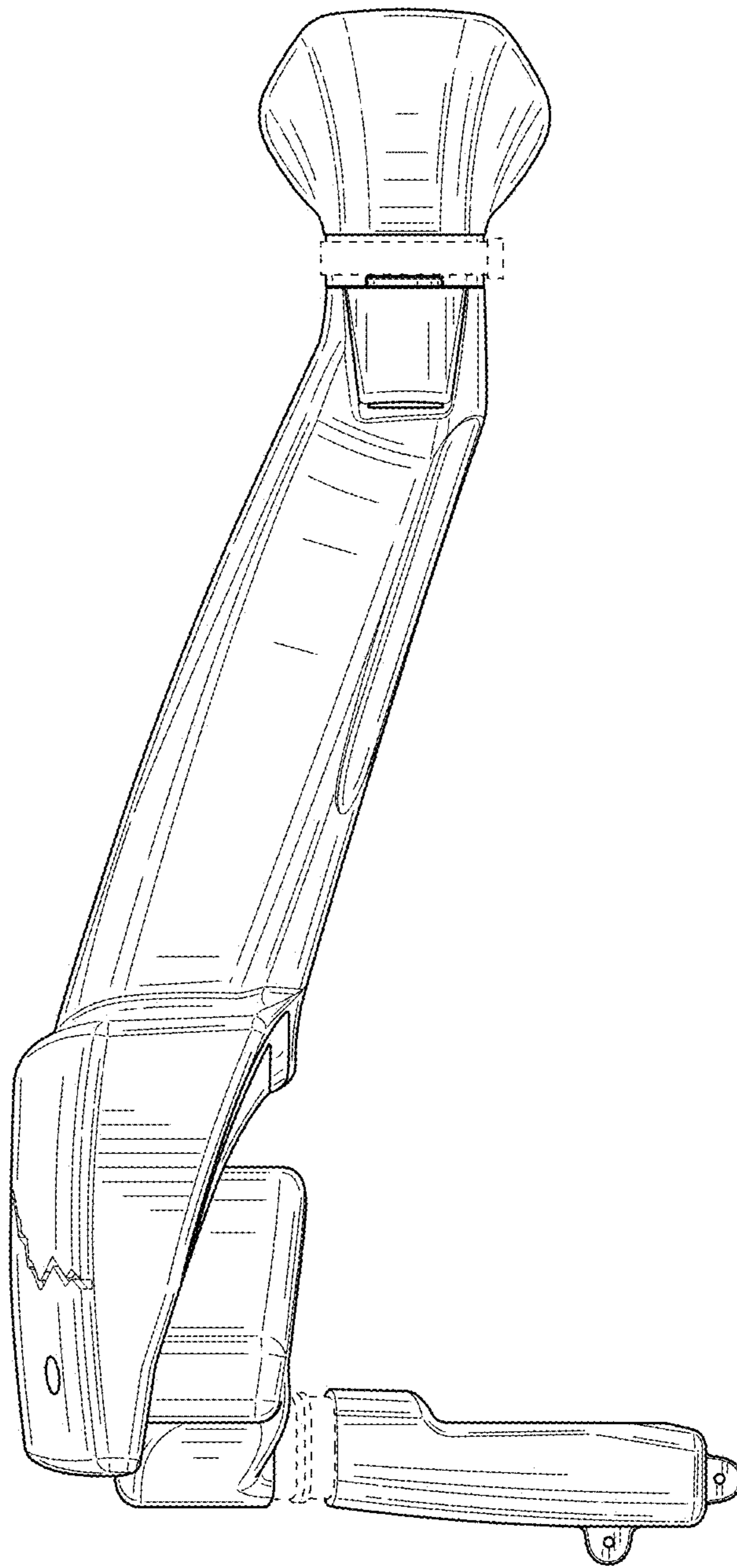


FIG. 7