



US00D971261S

(12) **United States Design Patent**  
**Wettig**

(10) **Patent No.:** **US D971,261 S**

(45) **Date of Patent:** **\*\* Nov. 29, 2022**

(54) **INTERCOOLER PIPES FOR AUTOMOTIVE APPLICATIONS**

(71) Applicant: **Resource Intl Inc.**, New Castle, DE (US)

(72) Inventor: **Jason Wettig**, Street, MD (US)

(73) Assignee: **Resource Intl Inc.**, New Castle, DE (US)

(\*\*) Term: **15 Years**

(21) Appl. No.: **29/652,651**

(22) Filed: **Oct. 16, 2020**

(51) **LOC (13) Cl.** ..... **15-01**

(52) **U.S. Cl.**  
USPC ..... **D15/5**

(58) **Field of Classification Search**  
USPC ..... D15/1, 2, 3, 4, 5, 6  
CPC ..... F02B 29/0425; F02B 29/0412; F02B 29/0437; F02B 29/0443; F02B 29/045; F02B 29/0406; F02B 29/0431; F28D 7/0066; F28D 1/0408; F28D 7/1653; F28F 1/04; F28F 1/12; F28F 9/02; F28F 21/02; B60H 1/14; B60H 1/3211; B60H 1/00271; B60H 1/3205; B60H 1/00342; F01P 11/08; B21D 53/08; F02M 26/27; F02M 26/31; F02M 35/10268

See application file for complete search history.

(56) **References Cited**

**U.S. PATENT DOCUMENTS**

4,949,544 A \* 8/1990 Hines ..... F01K 23/10 60/736  
D808,436 S \* 1/2018 Hamburger ..... D15/5  
D811,438 S \* 2/2018 Hamburger ..... D15/5  
D835,157 S \* 12/2018 Hamburger ..... D15/5  
10,254,055 B2 \* 4/2019 Bangert ..... F28F 9/0075  
D872,131 S \* 1/2020 Hamburger ..... D15/5

D872,769 S \* 1/2020 Hamburger ..... D15/5  
D872,770 S \* 1/2020 Hamburger ..... D15/5  
11,085,364 B2 \* 8/2021 Kang ..... F02B 29/0468  
2008/0022676 A1 \* 1/2008 Cook ..... F02M 26/05 60/599  
2010/0199694 A1 \* 8/2010 Taras ..... F25B 1/10 62/513  
2015/0083091 A1 \* 3/2015 Fehrenbach ..... F02B 29/045 123/542  
2016/0153347 A1 \* 6/2016 Morie ..... F02B 29/0418 123/542  
2016/0237961 A1 \* 8/2016 Callaway, III ..... F02M 35/116  
2017/0058841 A1 \* 3/2017 Nyeholt ..... F02B 29/0468

(Continued)

**FOREIGN PATENT DOCUMENTS**

EP 1512853 A2 \* 3/2005 ..... F02B 29/0418  
GB 6054488 \* 2/2019  
GB 6054489 \* 2/2019

*Primary Examiner* — Ania Aman

(74) *Attorney, Agent, or Firm* — Condo Roccia Koptiw LLP

(57) **CLAIM**

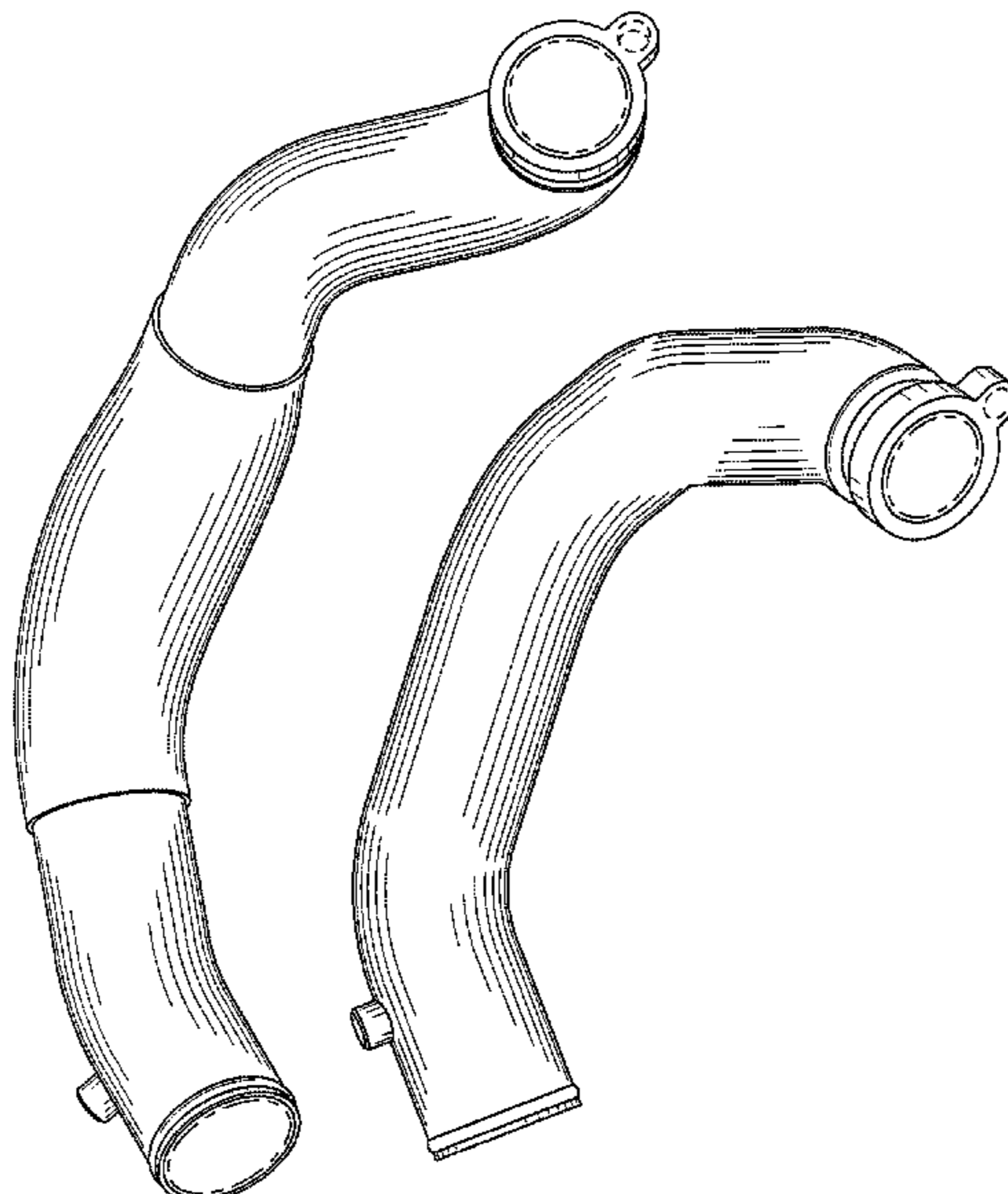
The ornamental design for an intercooler pipes for automotive applications, as shown and described.

**DESCRIPTION**

FIG. 1 is a top front perspective view of the intercooler pipes for automotive applications showing my new design; FIG. 2 is a front elevation view thereof; FIG. 3 is a rear elevation view thereof; FIG. 4 is a right side elevation view thereof; FIG. 5 is a left side elevation view thereof; FIG. 6 is a top plan view thereof; and, FIG. 7 is a bottom plan view thereof.

The broken lines shown in the drawings illustrate portions of the intercooler pipes for automotive applications that form no part of the claimed design.

**1 Claim, 6 Drawing Sheets**



(56)

**References Cited**

U.S. PATENT DOCUMENTS

2017/0234207 A1\* 8/2017 Kondo ..... F02B 29/0475  
60/599  
2020/0132236 A1\* 4/2020 Akita ..... F02B 29/0456  
2021/0148660 A1\* 5/2021 Kang ..... F02B 29/0468

\* cited by examiner

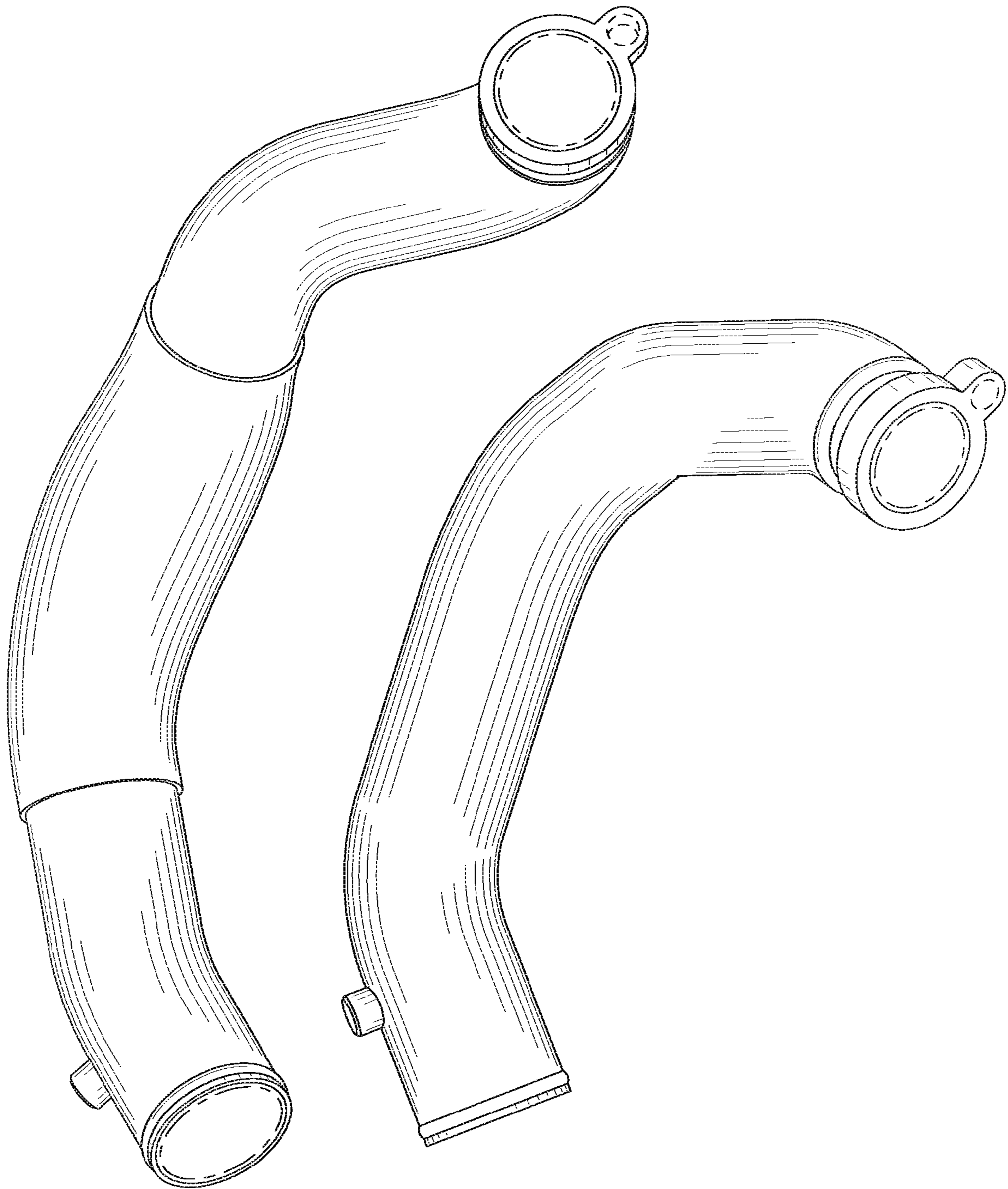


FIG. 1

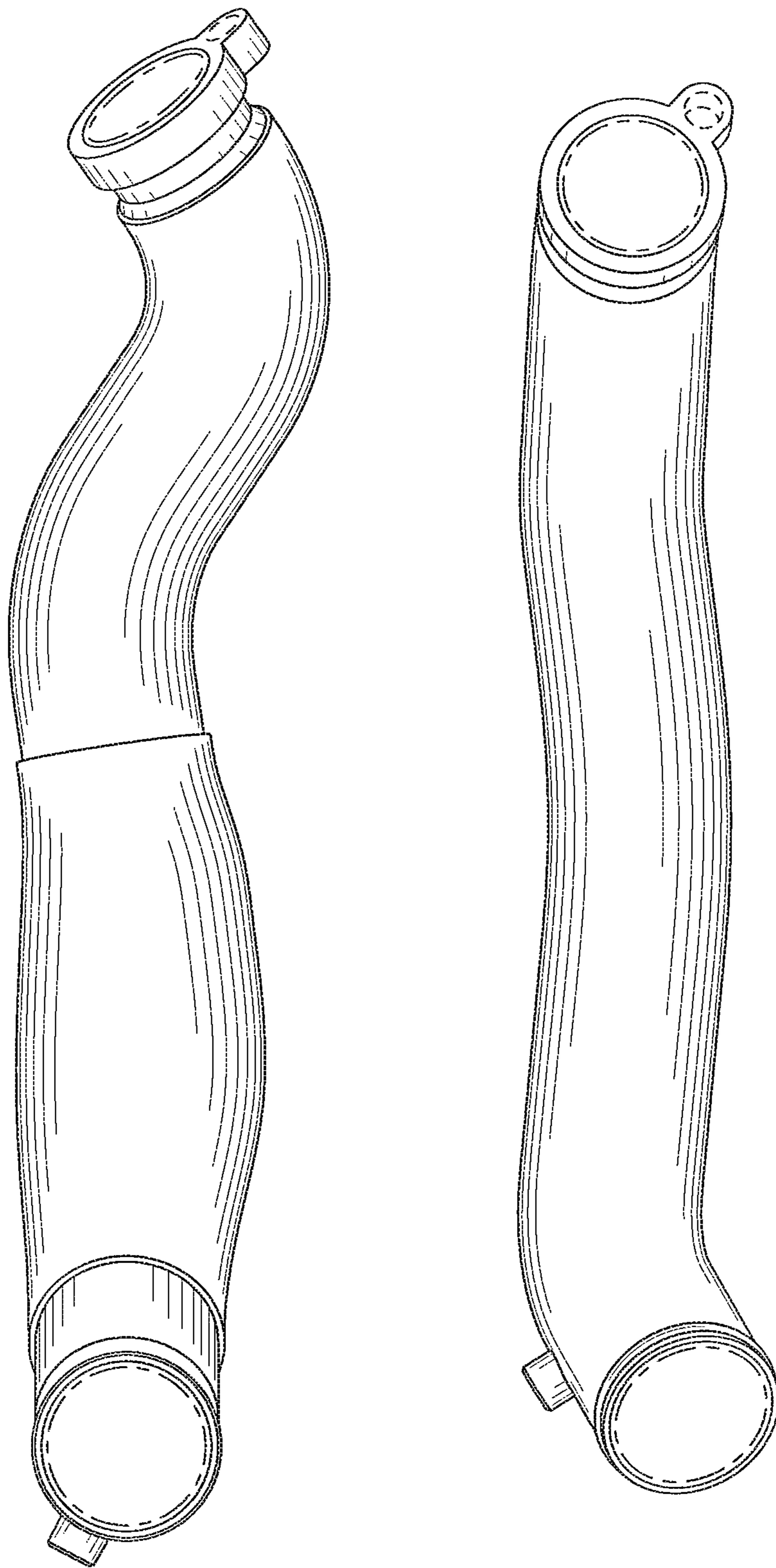


FIG. 2



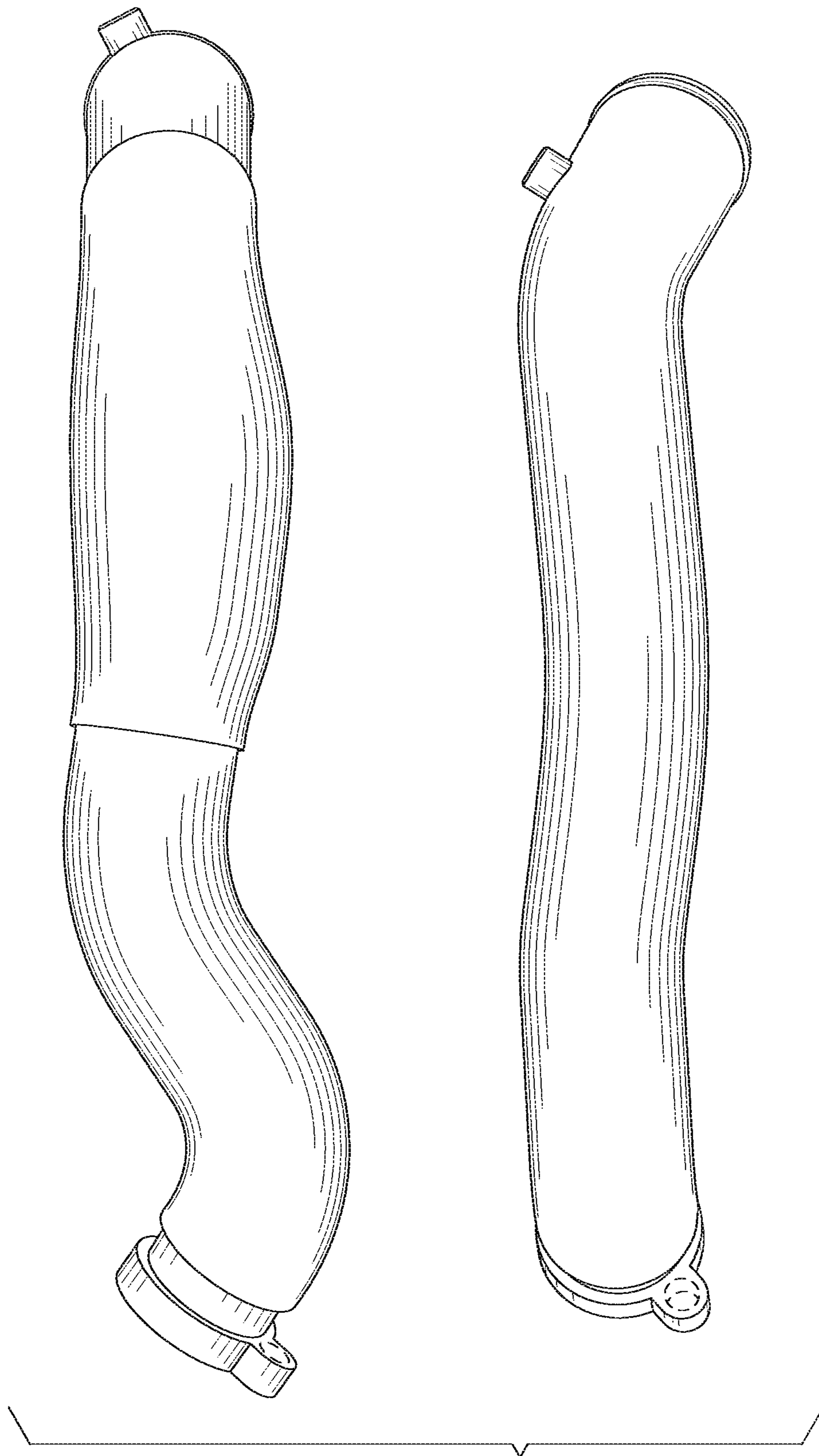


FIG. 3

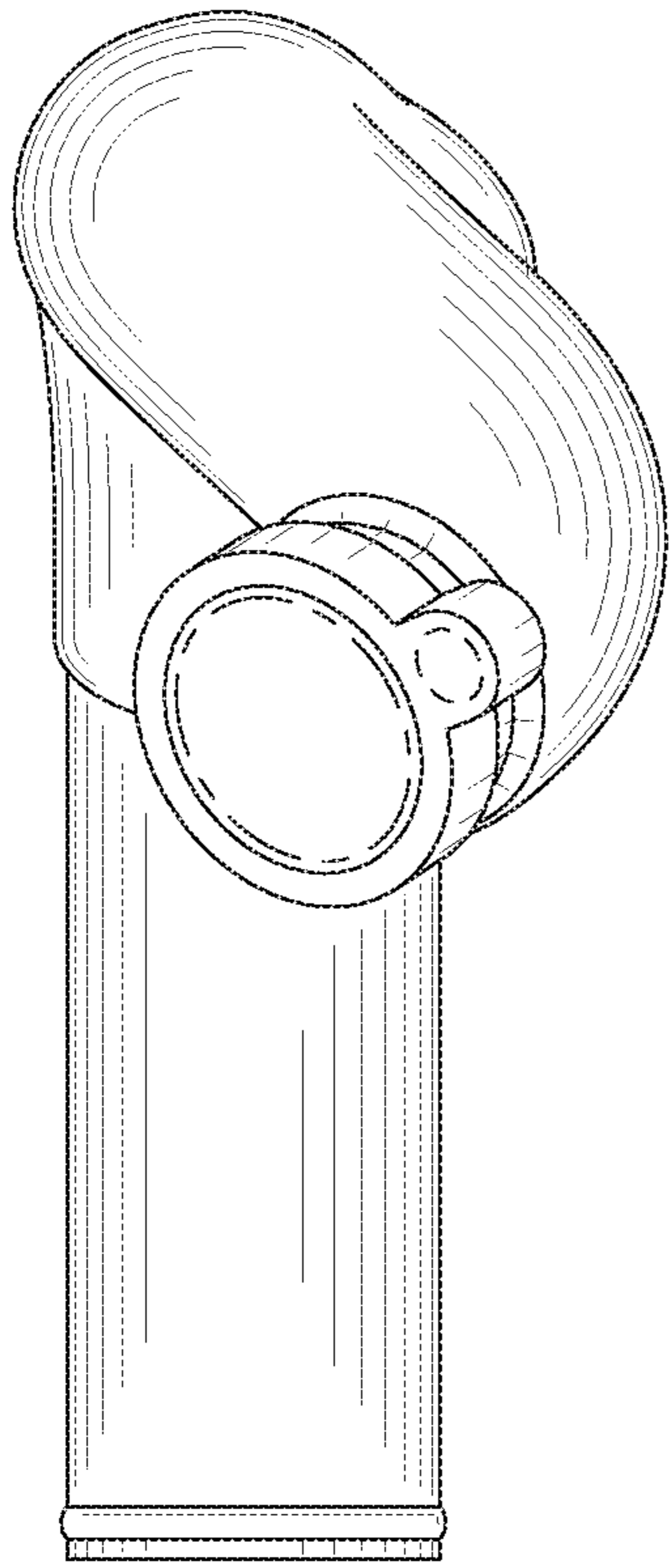


FIG. 4

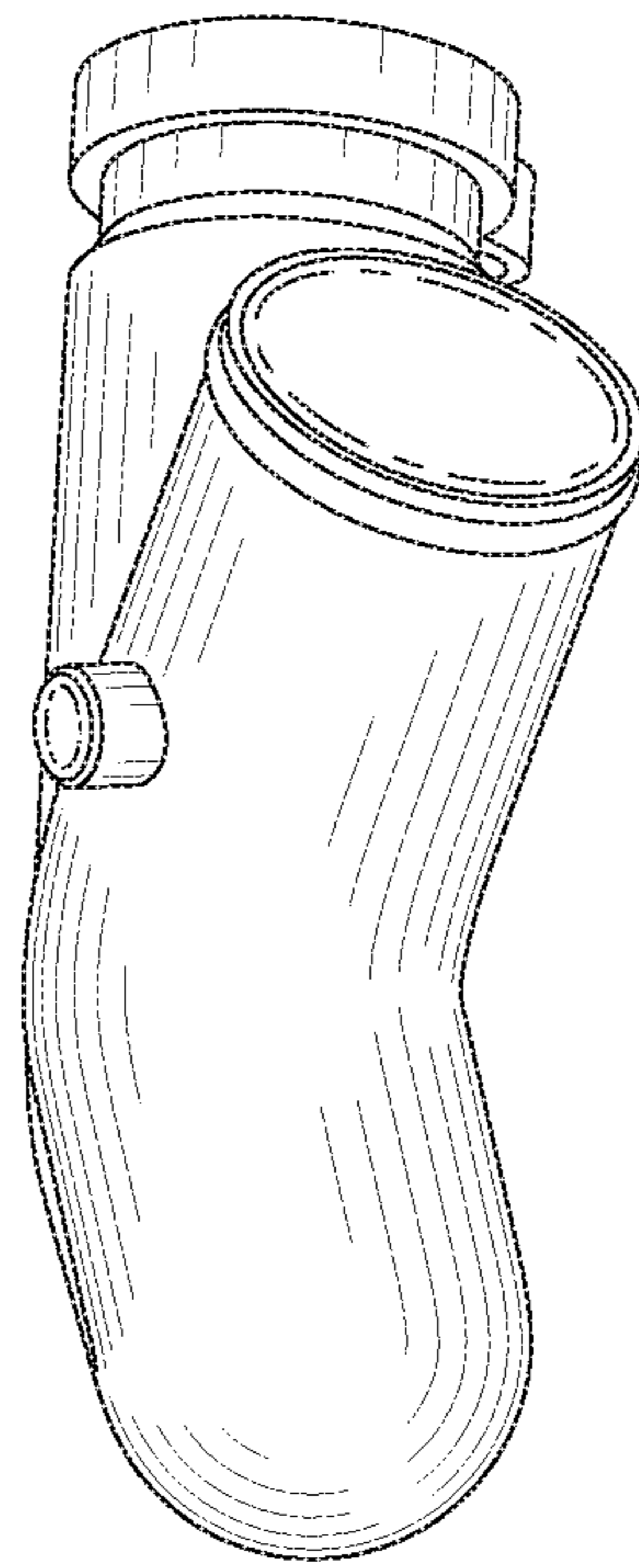
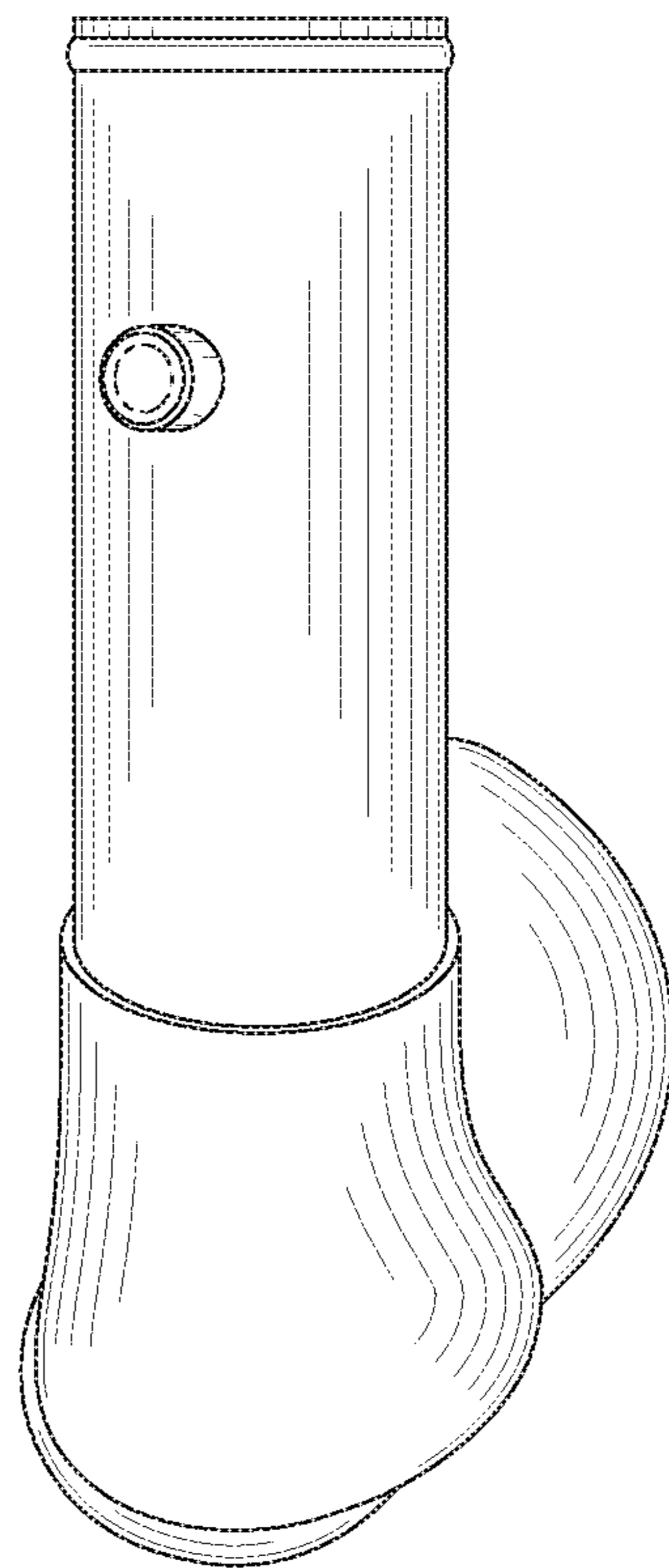
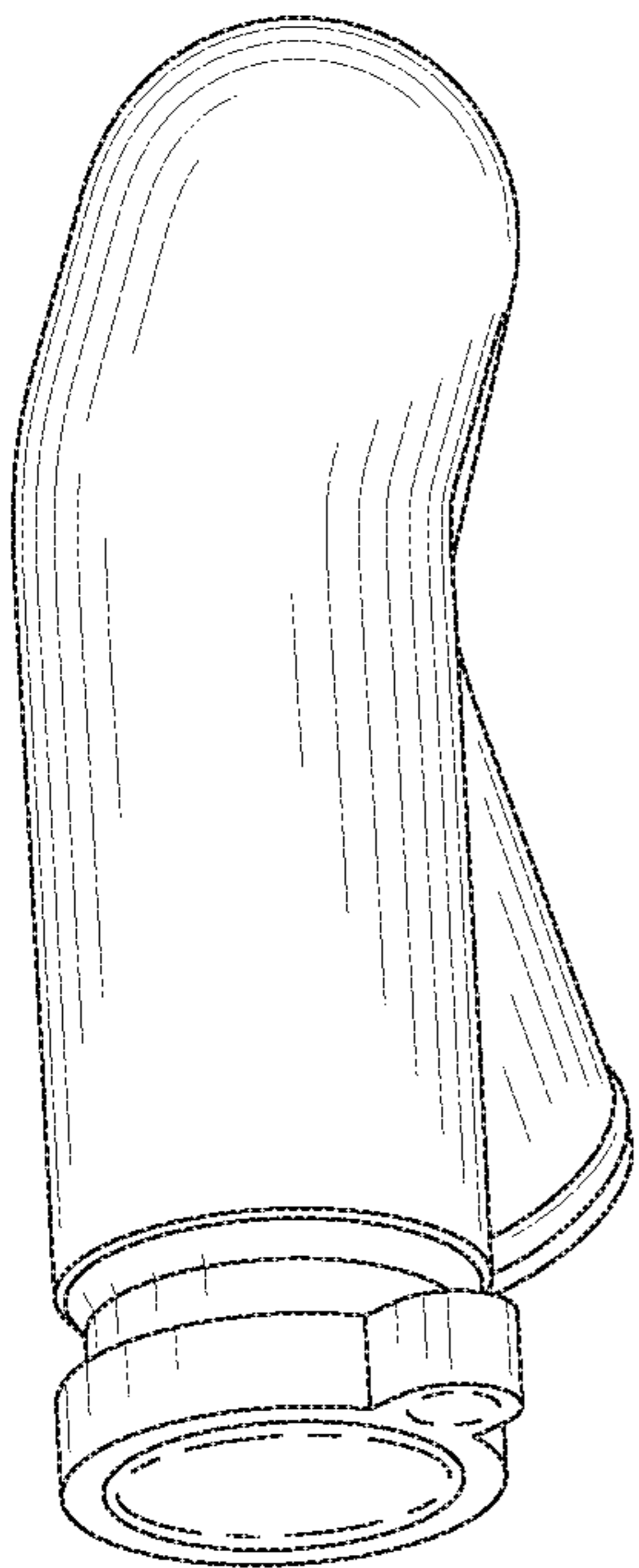


FIG. 5



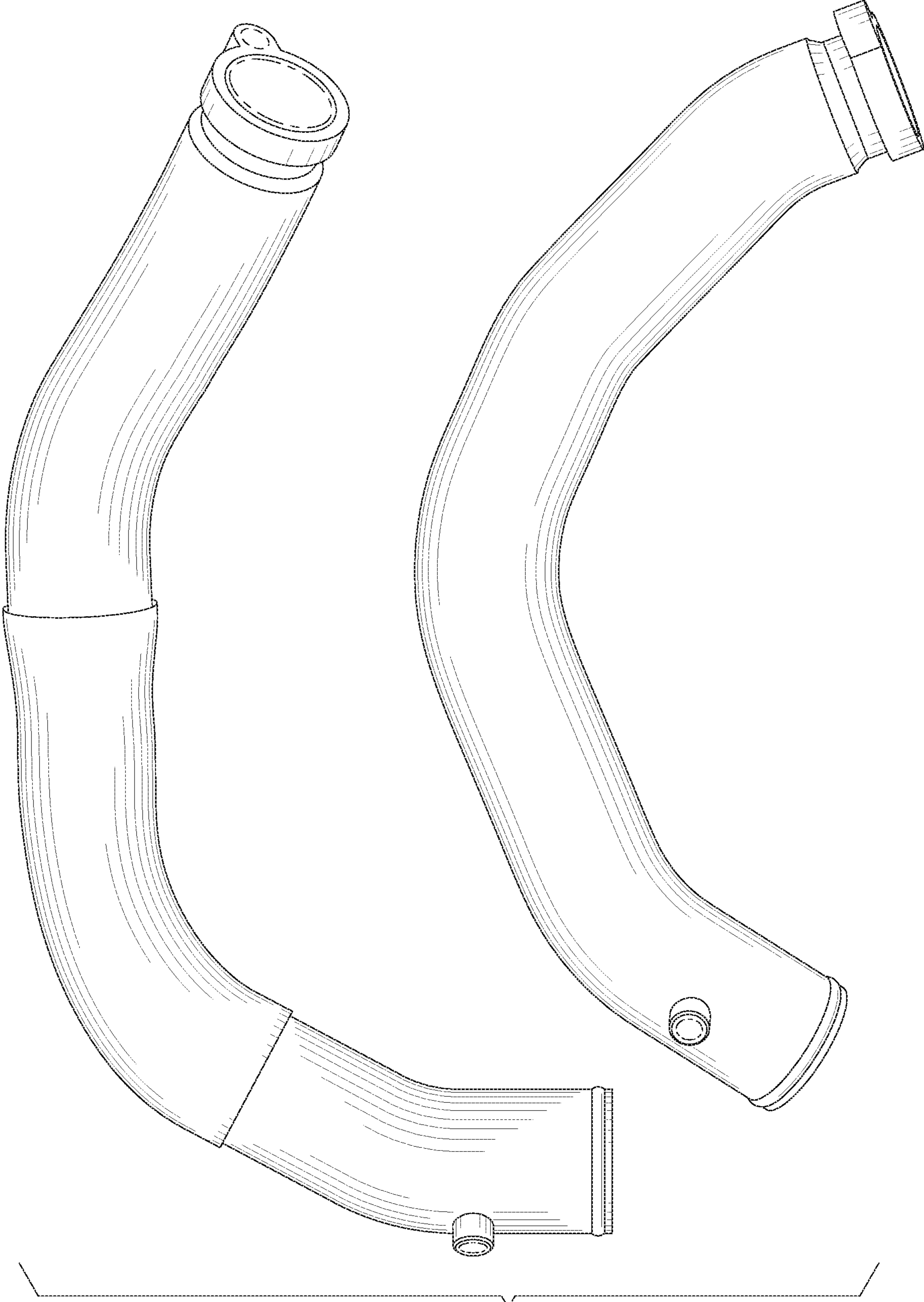


FIG. 6



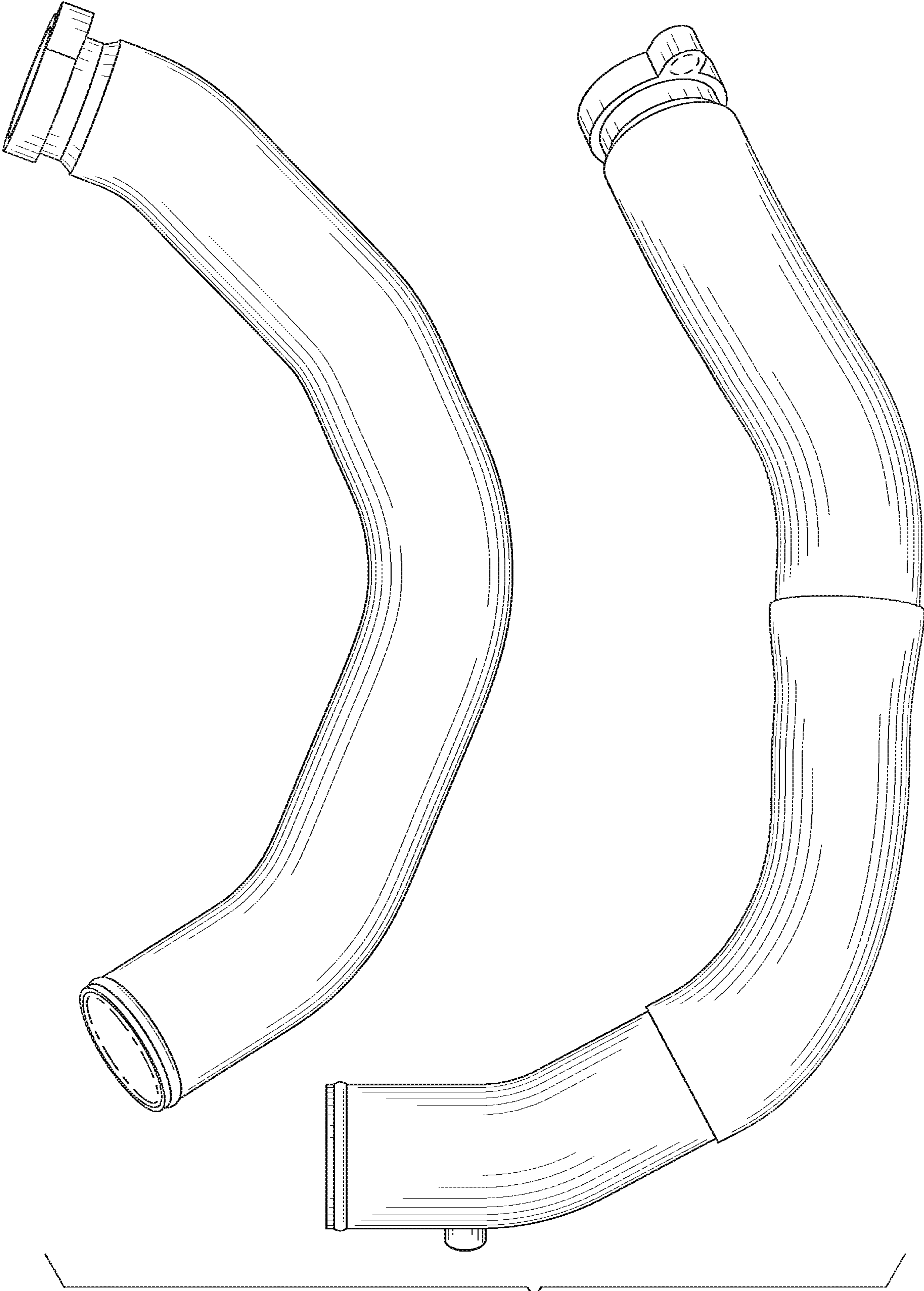


FIG. 7