



US00D971259S

(12) **United States Design Patent** (10) **Patent No.:** **US D971,259 S**
Bartz (45) **Date of Patent:** **** Nov. 29, 2022**

- (54) **TROLLING MOTOR MOUNT**
- (71) Applicant: **Steven C Bartz**, Deephaven, MN (US)
- (72) Inventor: **Steven C Bartz**, Deephaven, MN (US)
- (73) Assignee: **TROLLER MOTOR COMPANY, LLC**, Deephaven, MN (US)
- (**) Term: **15 Years**
- (21) Appl. No.: **29/651,674**
- (22) Filed: **Dec. 17, 2018**
- (51) **LOC (13) Cl.** **15-01**
- (52) **U.S. Cl.**
USPC **D15/4**
- (58) **Field of Classification Search**
USPC D15/4; D8/349, 354, 353
CPC B63H 20/06; B63H 20/08; B63H 20/02
See application file for complete search history.

- 6,923,136 B1 * 8/2005 D'Alessandro B63B 39/061
114/285
- 7,086,914 B1 8/2006 Beamer et al.
- D606,098 S * 12/2009 Pelini D15/4
- D607,900 S * 1/2010 Pelini D15/4
- D611,887 S * 3/2010 Peschmann D12/223
- D653,592 S * 2/2012 Brown D12/162
- 9,616,986 B1 * 4/2017 Gilk B63H 20/106
- D902,701 S * 11/2020 Smith D8/366
- 2002/0142680 A1 * 10/2002 Anderson B63H 20/06
440/53

* cited by examiner

Primary Examiner — Ania Aman

(74) Attorney, Agent, or Firm — R. John Bartz

(57) **CLAIM**

The ornamental design for a trolling motor mount, as shown and described.

DESCRIPTION

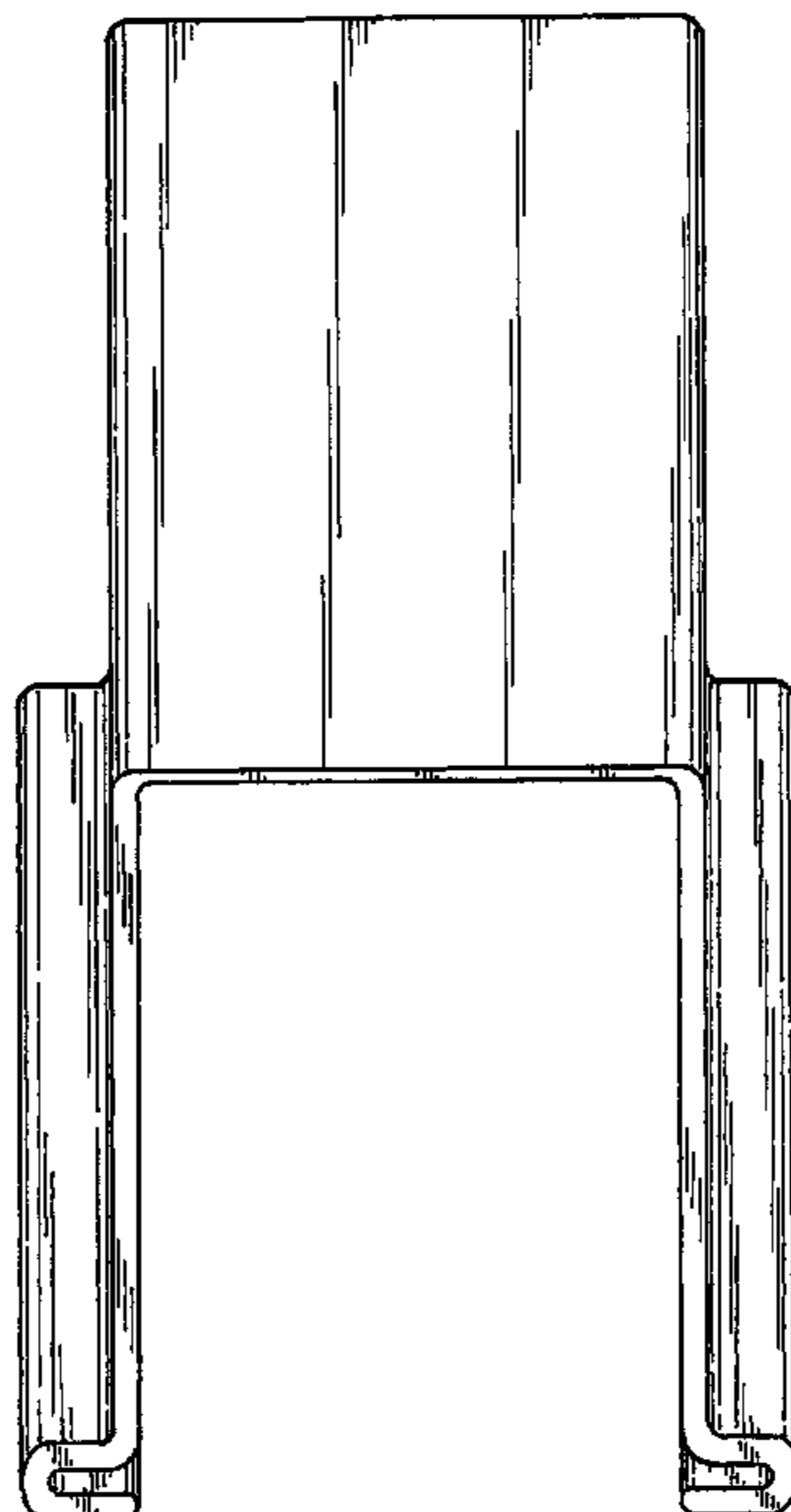
FIG. 1 is a front elevational view of a first embodiment of the trolling motor mount of my new design;
 FIG. 2 is a rear elevational view thereof;
 FIG. 3 is a right side elevational view thereof;
 FIG. 4 is a left side elevational view thereof;
 FIG. 5 is a top plan view thereof;
 FIG. 6 is a bottom plan view thereof;
 FIG. 7 is a front elevational view of a second embodiment of the trolling motor mount of my new design;
 FIG. 8 is a rear elevational view of FIG. 7;
 FIG. 9 is a right side elevational view of FIG. 7;
 FIG. 10 is a left side elevational view of FIG. 7;
 FIG. 11 is a top plan view of FIG. 7; and,
 FIG. 12 is a bottom plan view of FIG. 7.
 The trolling motor mount supports a motor having a propeller on a marine outboard or inboard motor.

1 Claim, 10 Drawing Sheets

(56) **References Cited**

U.S. PATENT DOCUMENTS

- 739,282 A * 9/1903 Bohn H02G 3/0431
174/504
- 3,139,853 A 7/1964 McCarthy
- 3,596,625 A 8/1971 Guenther
- 4,200,055 A 4/1980 Siegel
- D291,277 S * 8/1987 Hawkins D12/317
- D292,391 S * 10/1987 Schlesch D12/317
- 4,889,507 A * 12/1989 Tahara F02B 61/045
440/61 R
- 5,002,509 A * 3/1991 Uroszek B63H 20/007
248/640
- 5,041,032 A * 8/1991 Makihara B63H 20/06
440/53
- D342,011 S * 12/1993 Maguire D8/349
- D437,282 S * 2/2001 Joli D12/223
- 6,863,581 B2 * 3/2005 Anderson B63H 20/007
248/642



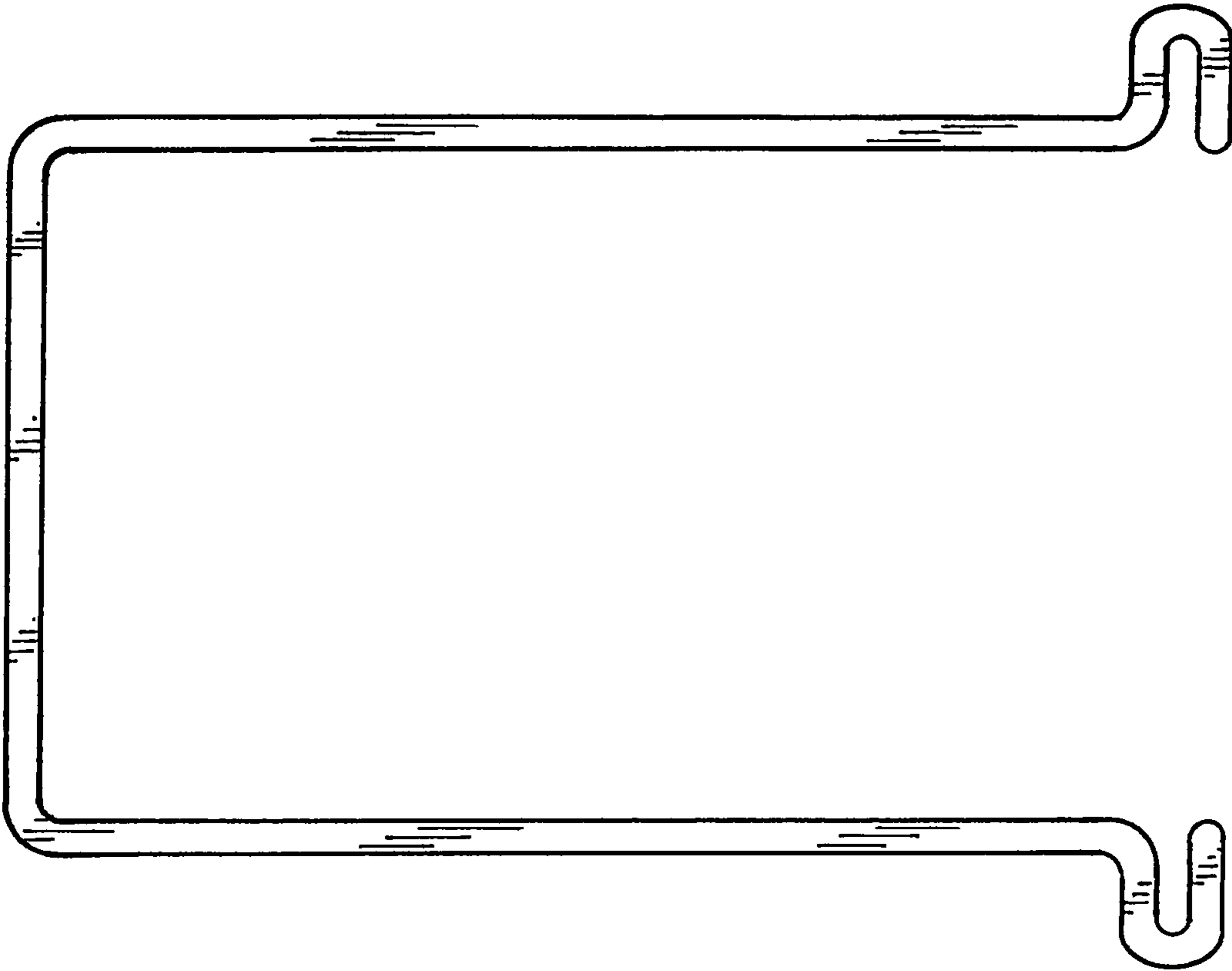


FIG. 2

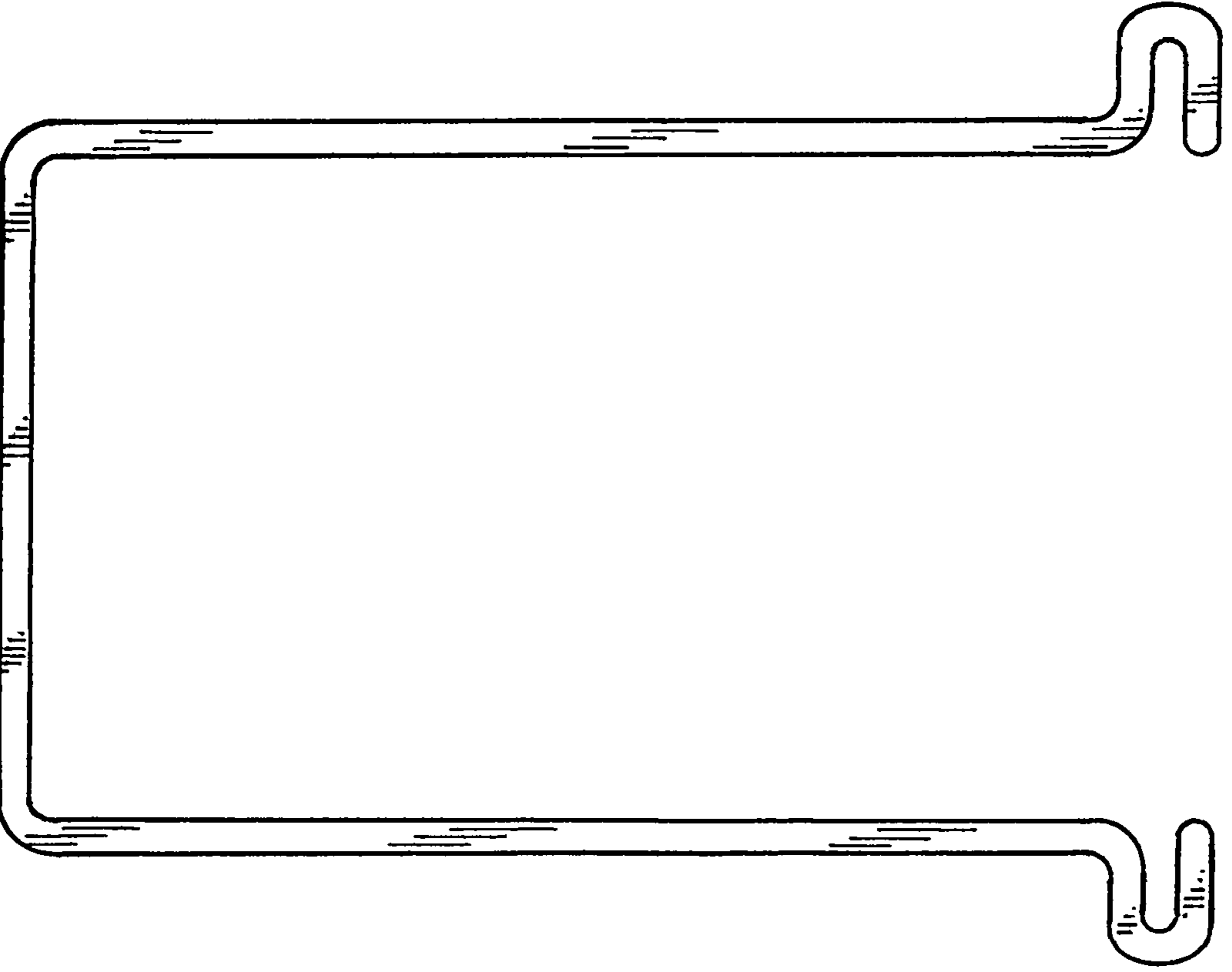


FIG. 1

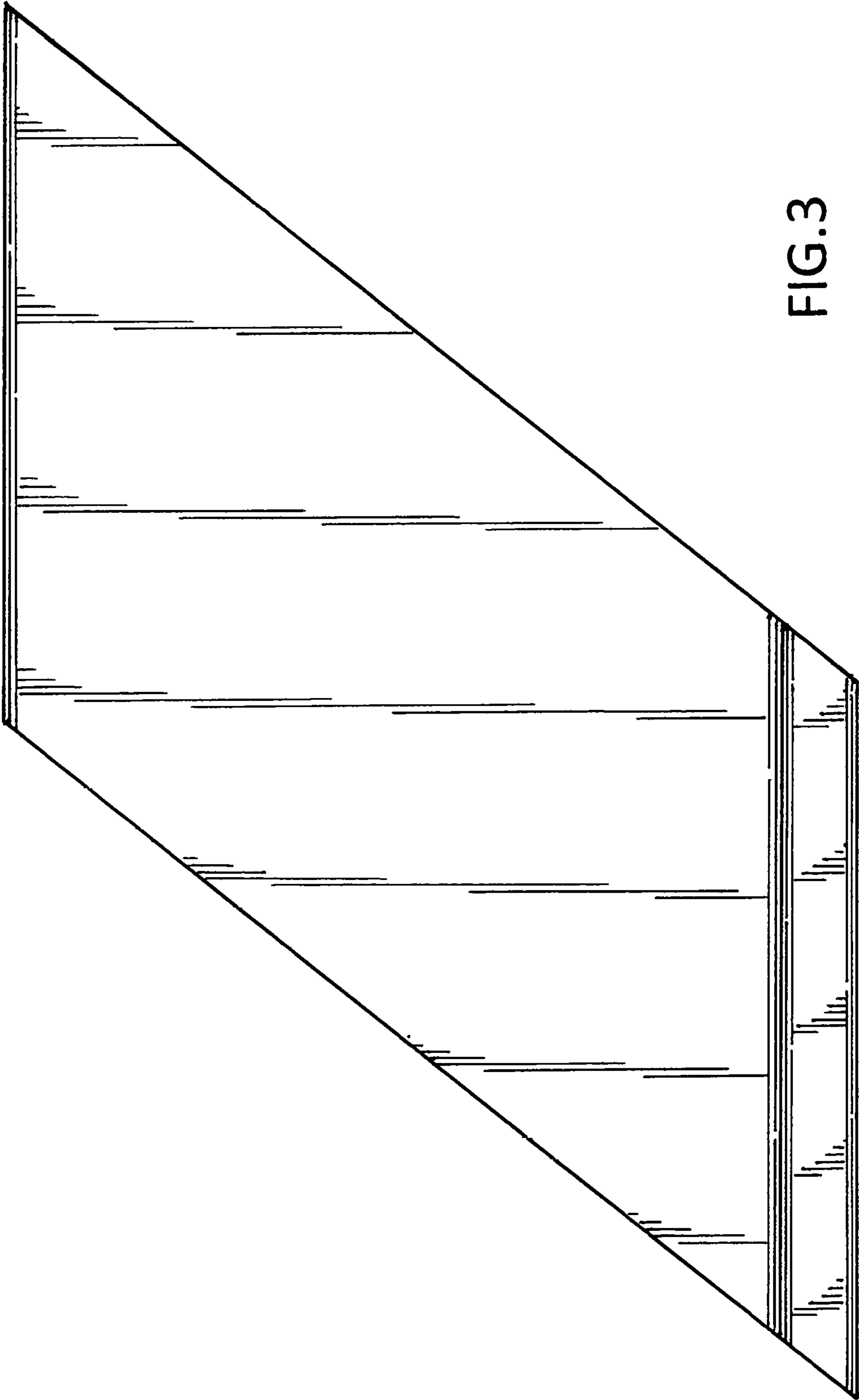


FIG.3

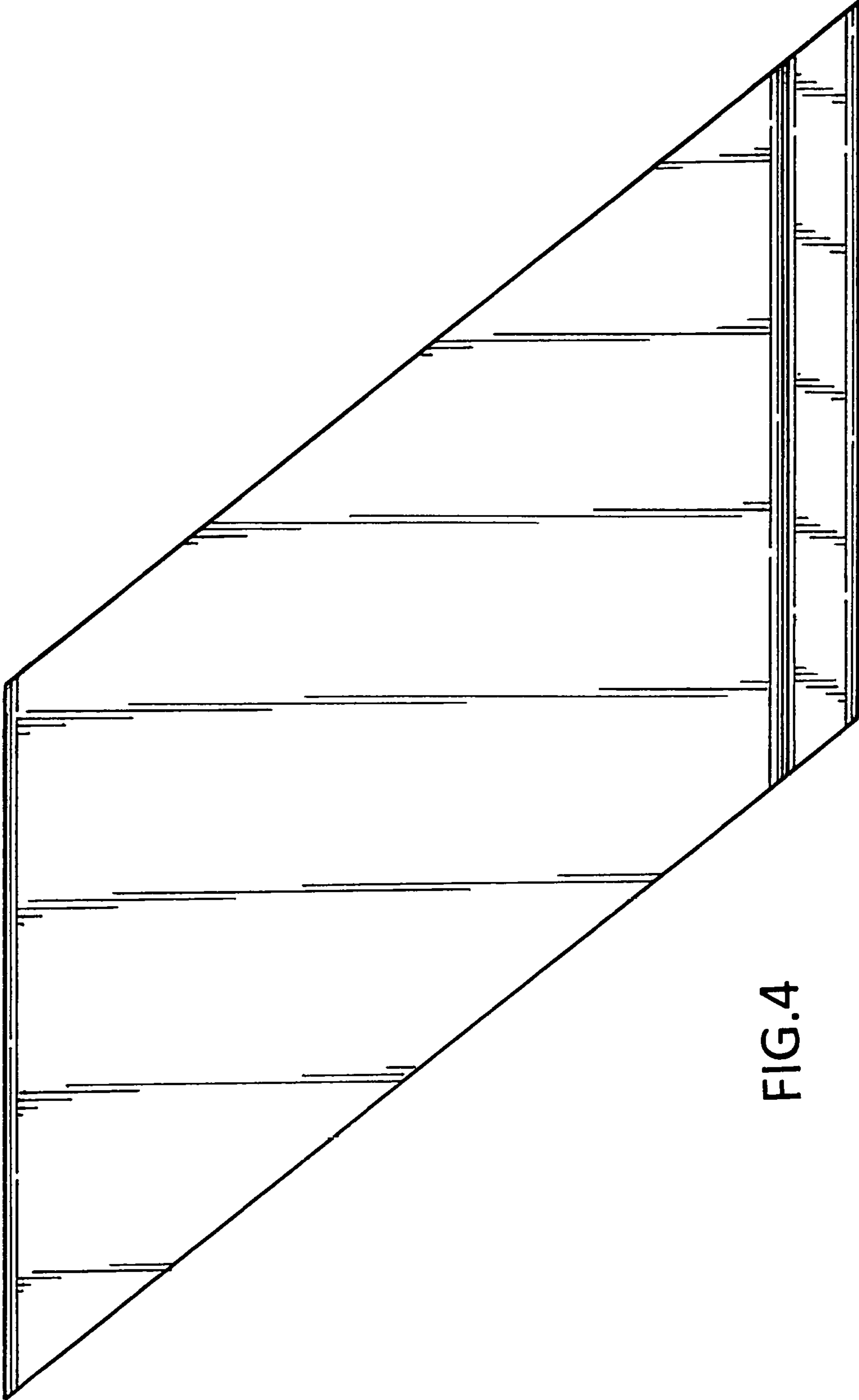


FIG.4

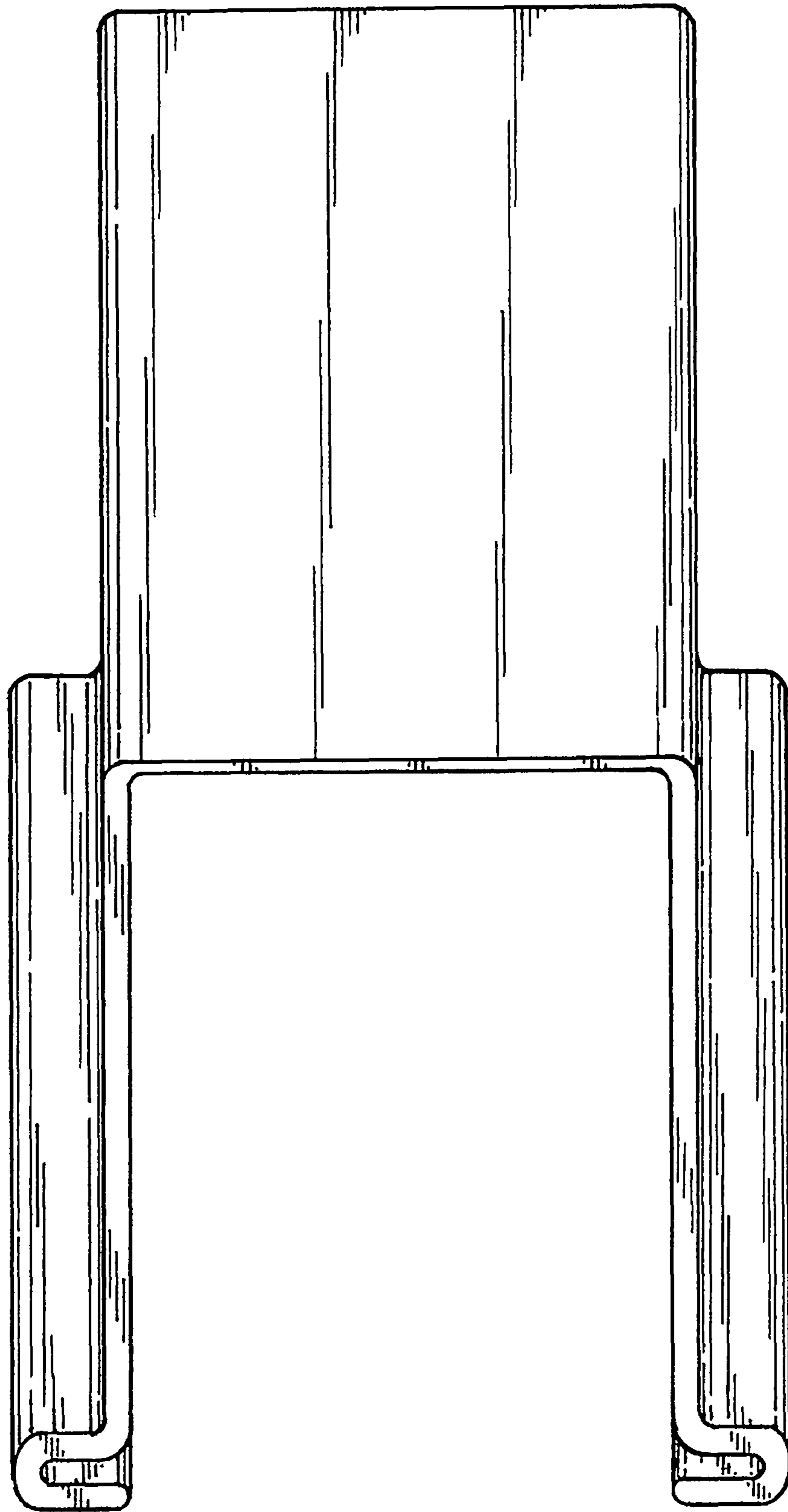


FIG. 5

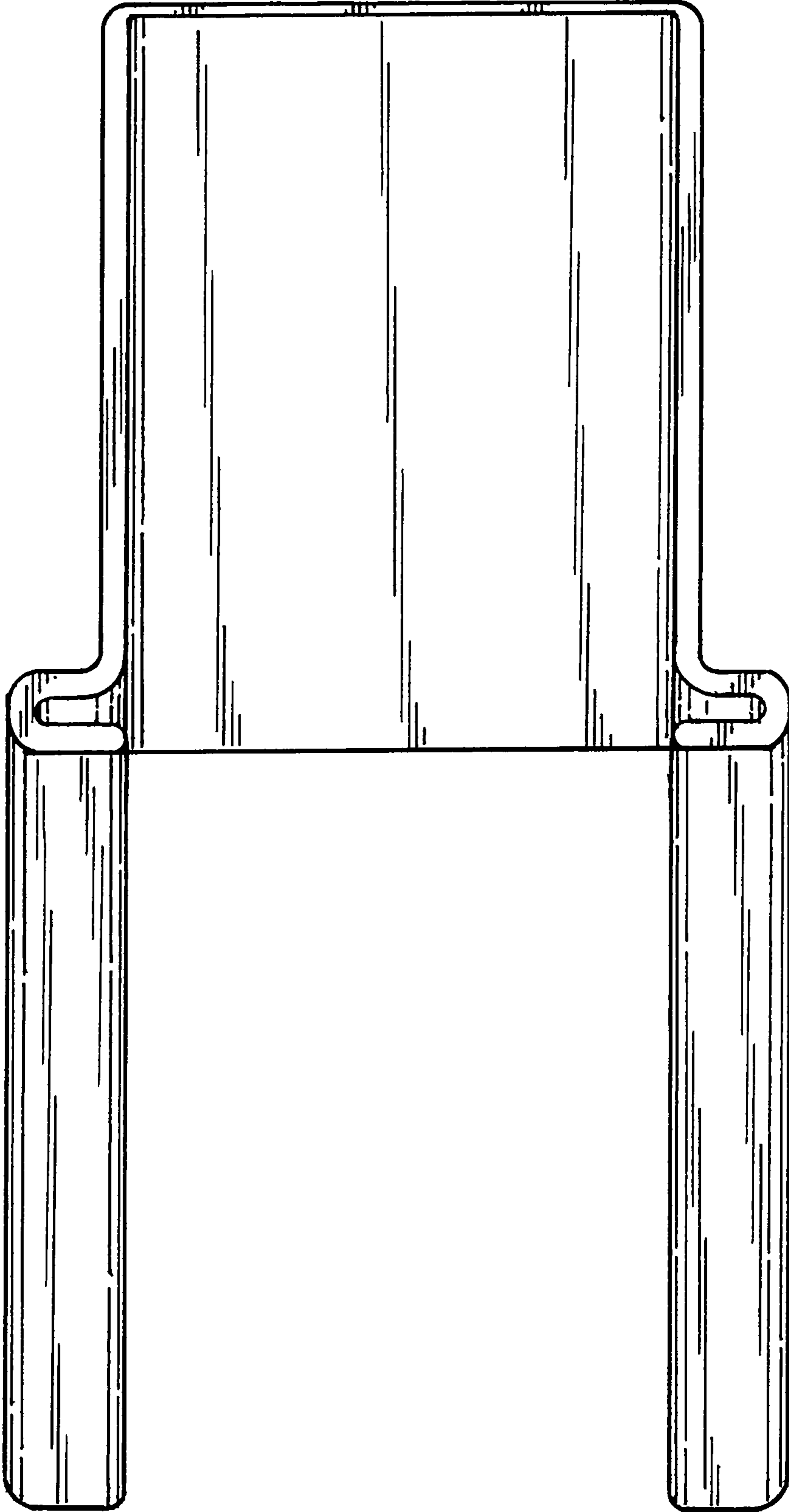


FIG.6

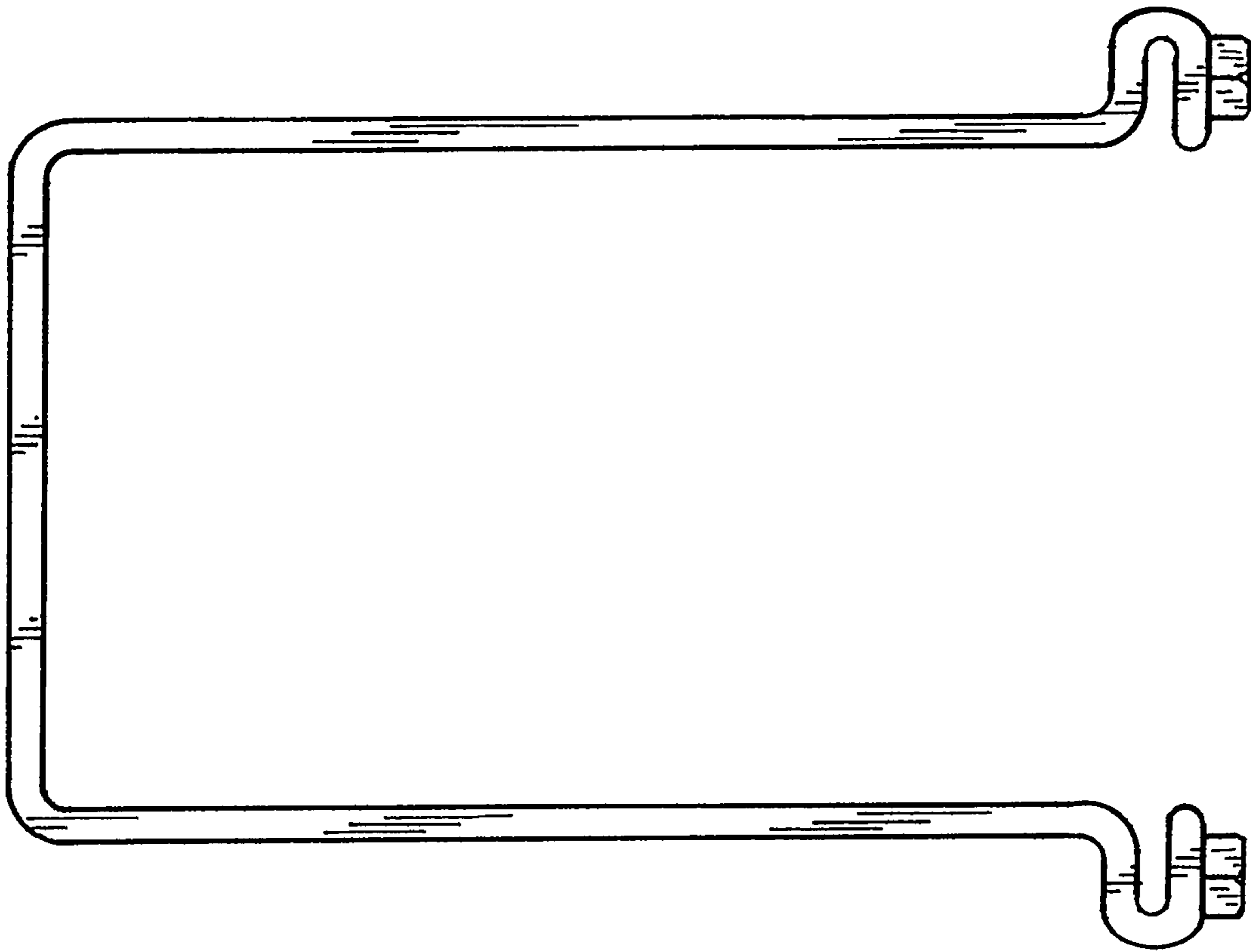


FIG. 8

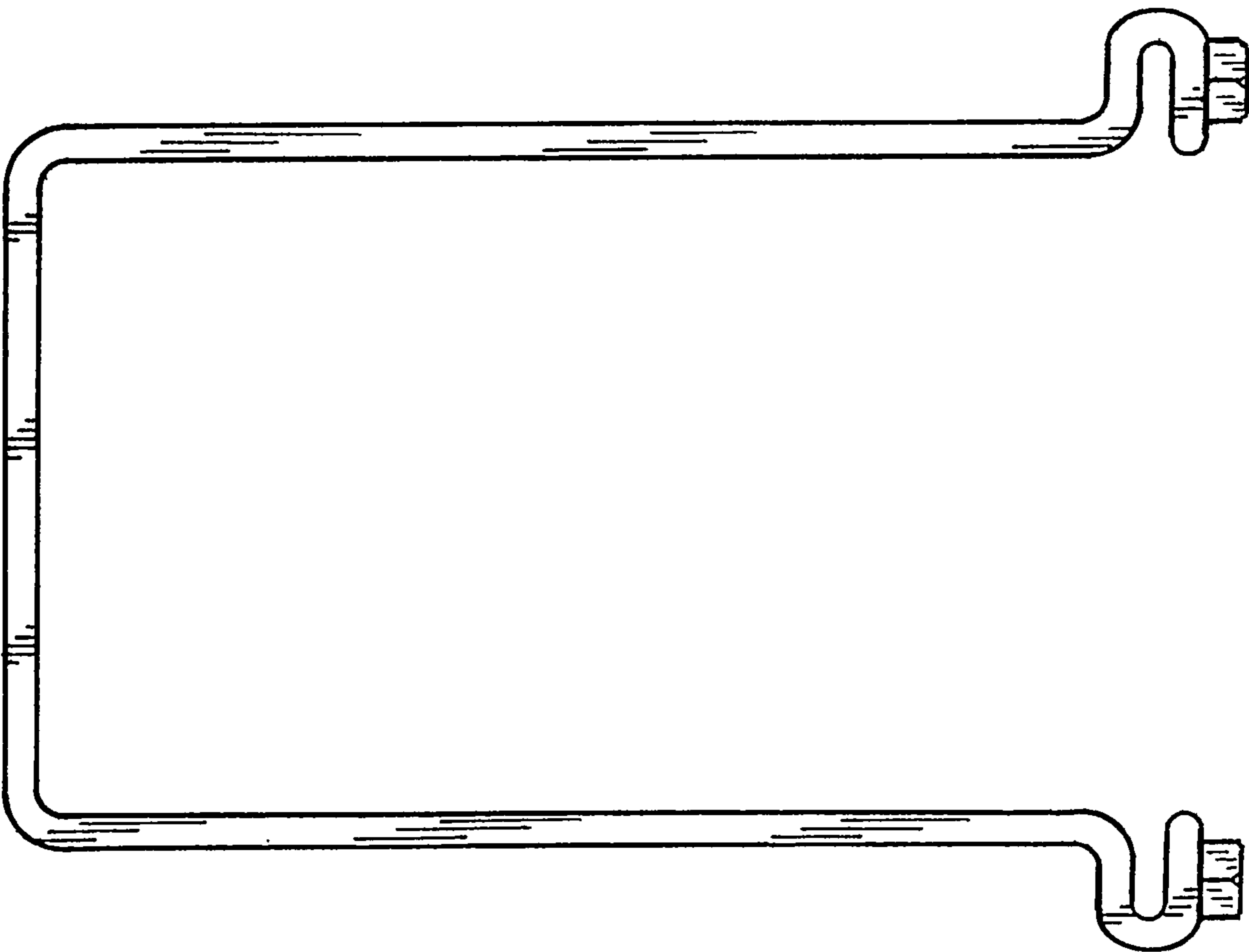


FIG. 7

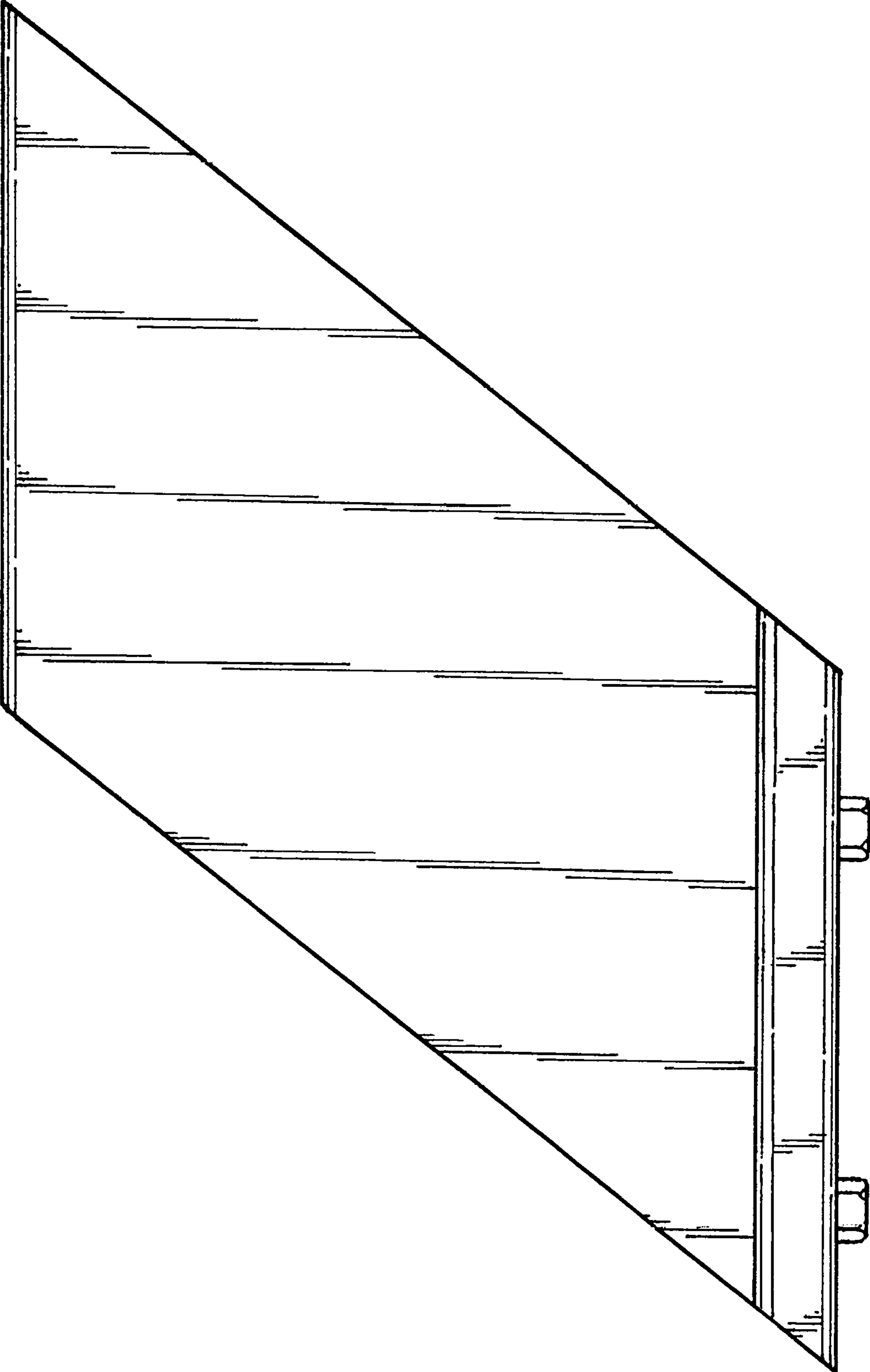


FIG.9

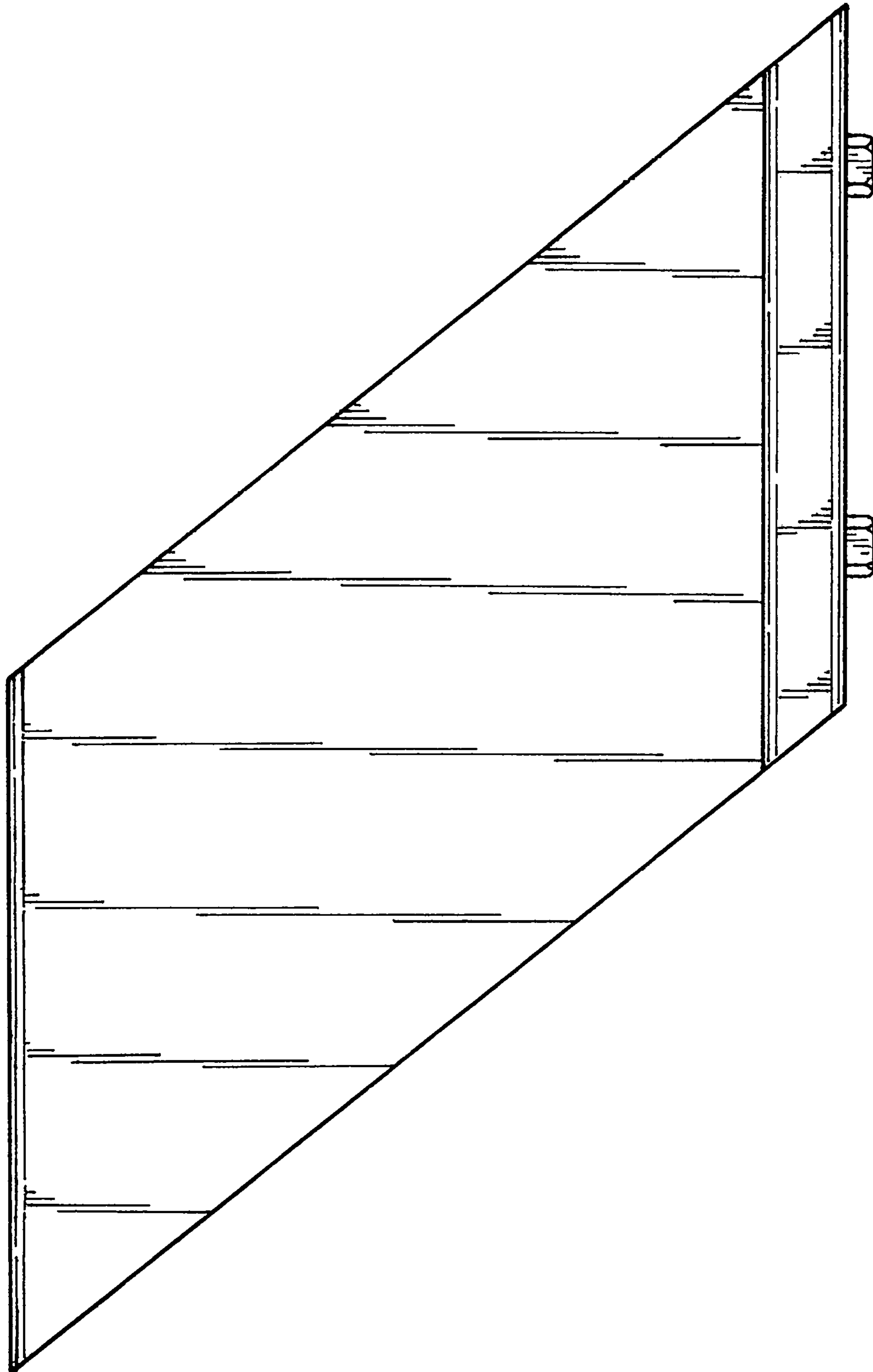


FIG.10

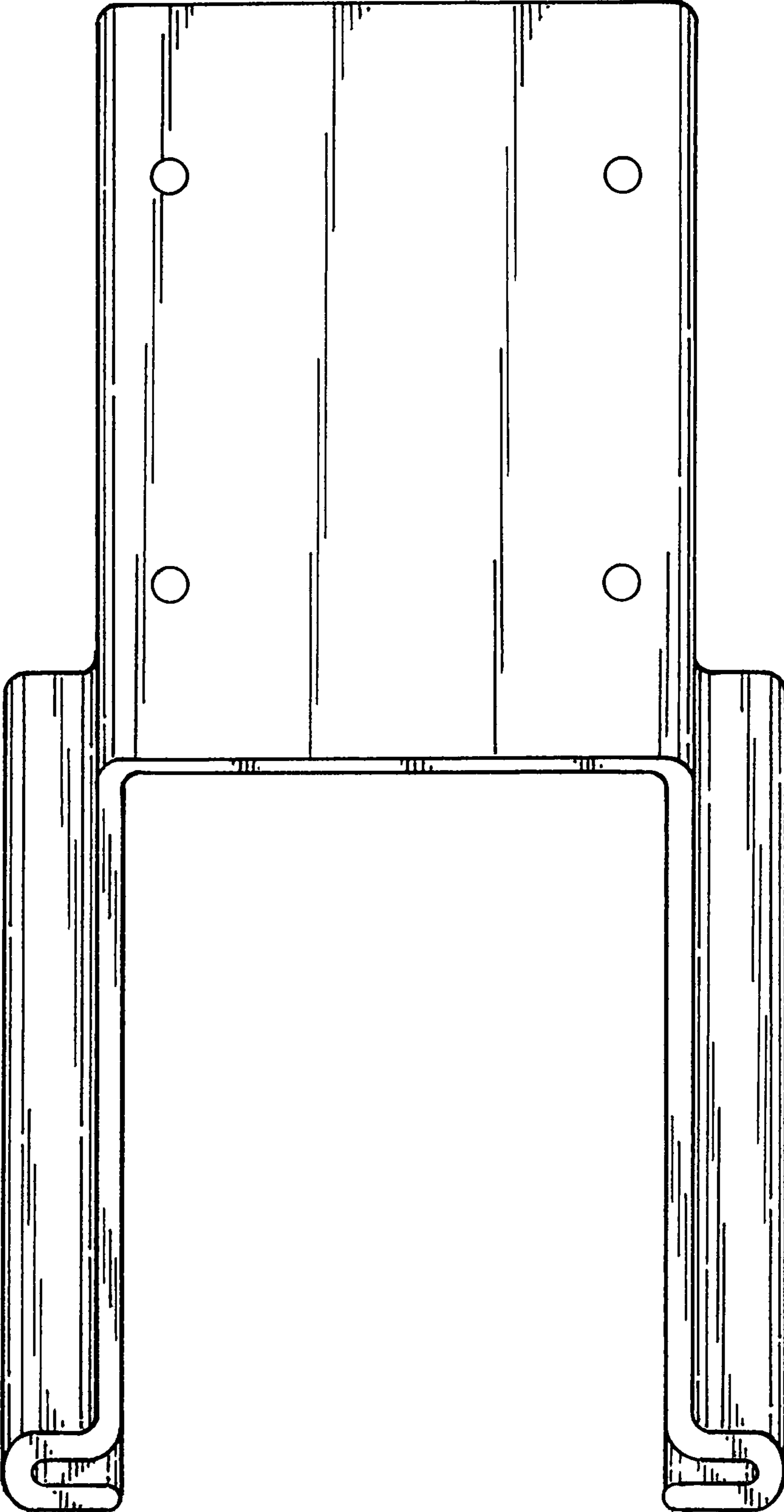


FIG.11

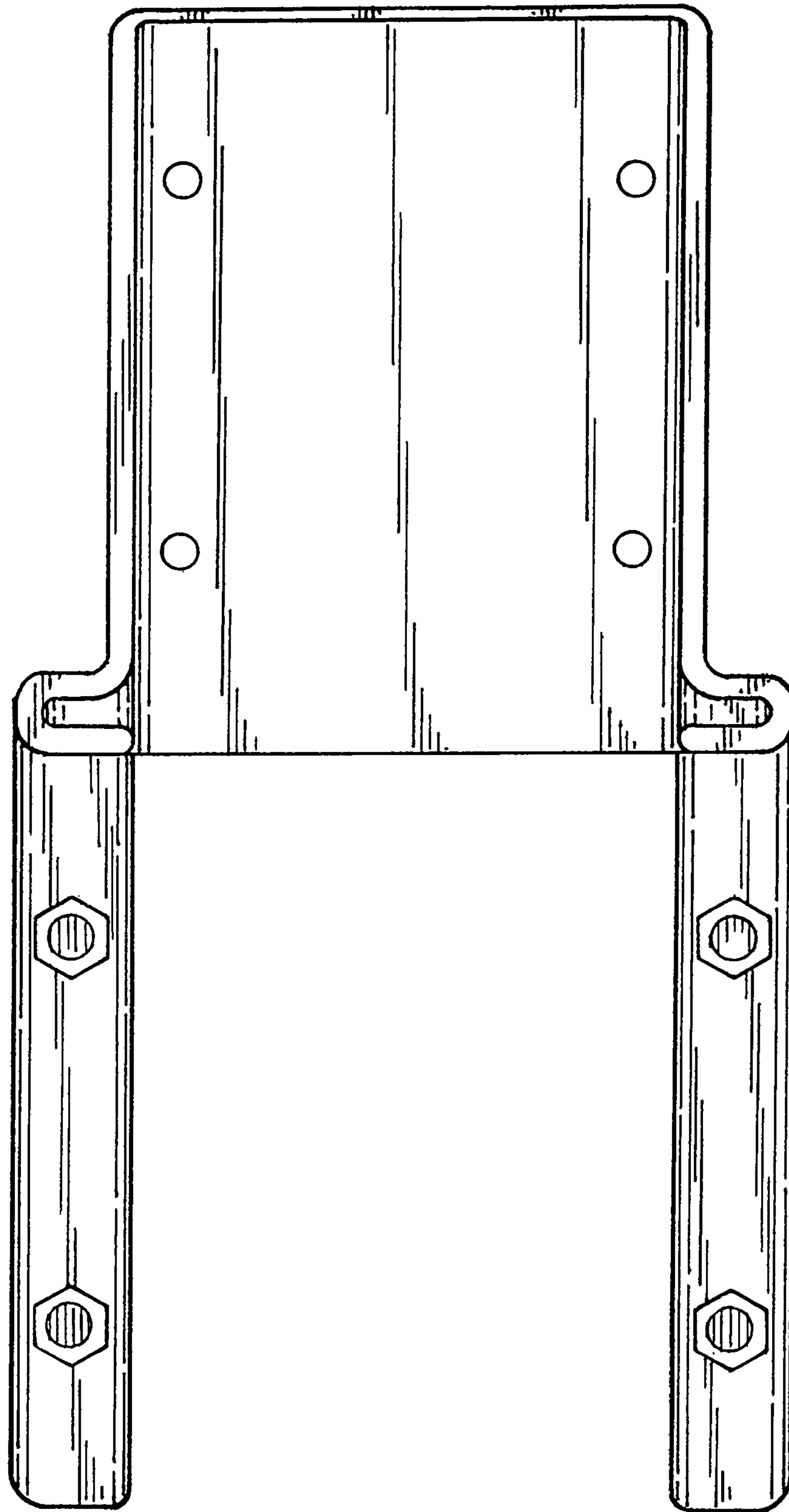


FIG.12