



US00D971257S

(12) **United States Design Patent** (10) **Patent No.:** **US D971,257 S**
Kamiyama et al. (45) **Date of Patent:** **** Nov. 29, 2022**

(54) **DISPLAY SCREEN WITH GRAPHICAL USER INTERFACE**

(71) Applicant: **Visualize K.K.**, Tokyo (JP)

(72) Inventors: **Kyohei Kamiyama**, Tokyo (JP); **Chong Jin Koh**, Las Vegas, NV (US)

(73) Assignee: **Visualize K.K.**, Tokyo (JP)

(**) Term: **15 Years**

(21) Appl. No.: **29/722,066**

(22) Filed: **Jan. 26, 2020**

(51) **LOC (13) Cl.** **14-04**

(52) **U.S. Cl.**
USPC **D14/492**; D14/495

(58) **Field of Classification Search**
USPC D14/485–495
CPC B60K 37/00; G06F 8/20; G06F 3/048–04897; G06F 3/013; G06F 3/017; G06F 3/1446; G06F 3/165; G06F 3/1454; G06F 16/168; G06F 16/7335; G06F 2203/014; G06F 2206/1008; G06F 2209/545; G06F 30/12; G06F 40/106; G06T 13/80; G06T 15/00; G06T 15/02; G06Q 10/10; G09F 9/3026; G09G 2300/023–026; G09G 2356/00; G09G 2360/04–06; G09G 2380/00; G09G 2370/16; H04M 1/6075; H04M 3/567; H04M 1/2477; H04M 1/26; H04L 51/04; H04L 12/1813; H04N 7/16; H04N 1/00408; H04N 9/3147

See application file for complete search history.

(56) **References Cited**

U.S. PATENT DOCUMENTS

D316,119 S * 4/1991 McDermott D20/11
D687,062 S * 7/2013 Gardner D14/489
D691,166 S * 10/2013 Convay D14/492

D708,193 S * 7/2014 Agnew D14/485
D729,839 S * 5/2015 Bray D14/492
D732,055 S * 6/2015 Schwartz D14/486
D774,541 S * 12/2016 Miao D14/488
D822,053 S * 7/2018 Linders D14/486
D848,476 S * 5/2019 Baluja D14/491
10,410,741 B1 * 9/2019 McKenna H04N 7/18
D914,757 S * 3/2021 Paul D14/487
D916,834 S * 4/2021 Cone D14/488
D939,556 S * 12/2021 Braica D14/488
D941,336 S * 1/2022 Fabrello Lumbroso D14/492
2009/0176517 A1 * 7/2009 Christie H04L 51/23
455/466
2009/0325603 A1 * 12/2009 Van Os H04W 4/029
455/456.2
2010/0030542 A1 * 2/2010 Boneh G16H 50/50
36/43

(Continued)

FOREIGN PATENT DOCUMENTS

WO WO-2011088053 A2 * 7/2011 B60K 35/00
WO WO-2015169941 A1 * 11/2015 A43B 7/147
WO WO-2018148841 A1 * 8/2018 A43B 3/0005

Primary Examiner — Cary M Robinson

(74) *Attorney, Agent, or Firm* — American Patent Agency PC; Daniar Hussain; Stephen M. Hou

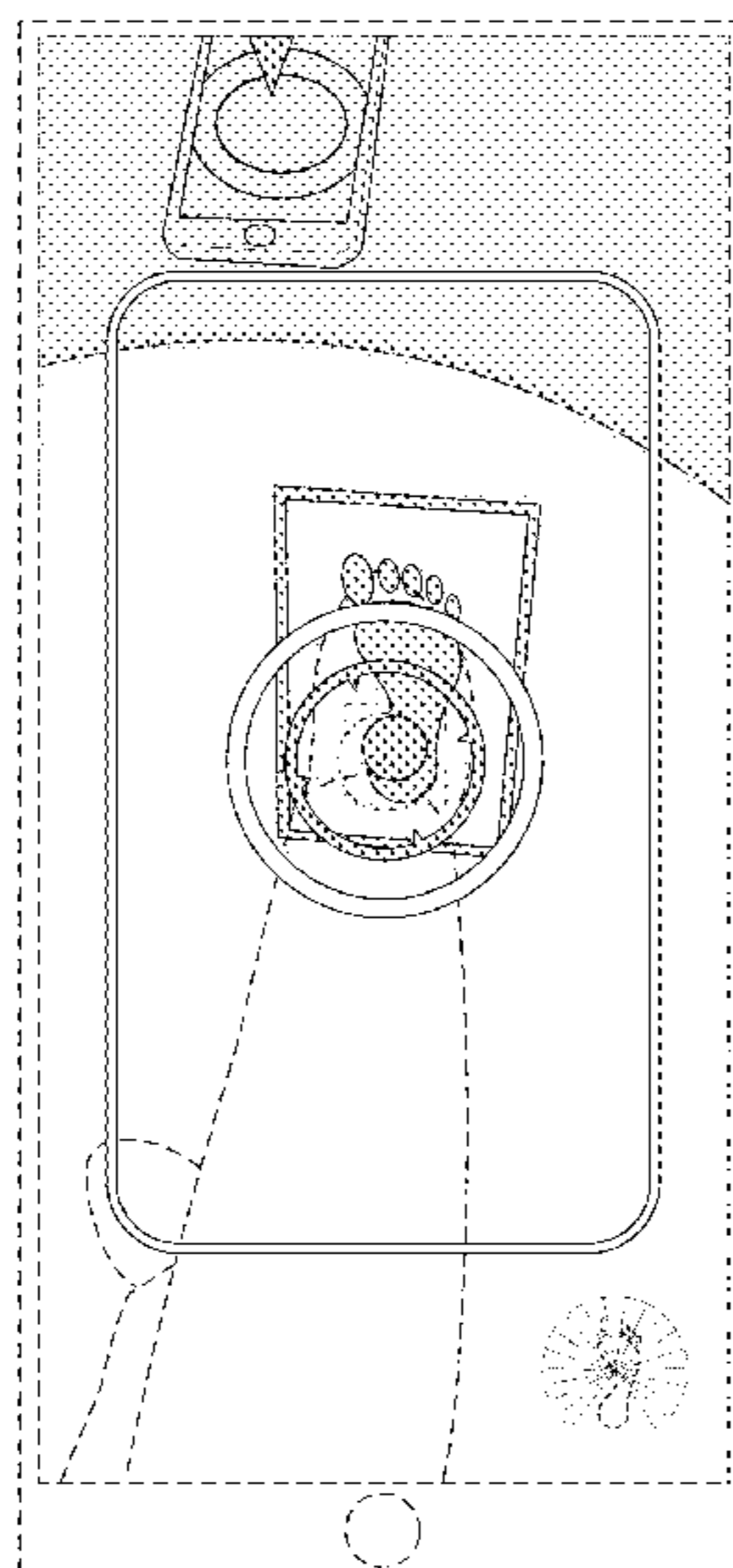
(57) **CLAIM**

The ornamental design for a display screen with graphical user interface, as shown and described.

DESCRIPTION

The FIGURE is a front view of a display screen with graphical user interface, showing our novel design. The outermost broken line and the lower broken line circle illustrate a computing device, the broken line at the periphery of the graphical user interface illustrates the display screen, and the remaining broken lines illustrate portions of the graphical user interface. None of the broken lines form part of the claimed design.

1 Claim, 1 Drawing Sheet



(56)

References Cited

U.S. PATENT DOCUMENTS

2012/0016678	A1 *	1/2012	Gruber	G10L 13/08 704/E21.001
2013/0002533	A1 *	1/2013	Burroughs	G16H 20/30 345/156
2013/0053677	A1 *	2/2013	Schoenfeld	A61B 5/445 600/407
2014/0222173	A1 *	8/2014	Giedwoyn	G16H 20/30 700/91
2014/0361983	A1 *	12/2014	Dolfing	G06V 30/32 345/156
2014/0362056	A1 *	12/2014	Zambetti	G06F 3/04883 345/179
2016/0135981	A1 *	5/2016	Rizzo	A61F 5/14 12/142 N
2016/0357712	A1 *	12/2016	Zoon	G06F 40/258
2017/0068774	A1 *	3/2017	Cluckers	A61B 5/112
2017/0093769	A1 *	3/2017	Lind	G06F 3/1454
2017/0255185	A1 *	9/2017	Hinshaw	G06F 30/20
2019/0028637	A1 *	1/2019	Kolesov	G06V 10/24
2020/0000180	A1 *	1/2020	Sherrah	A43D 1/025

* cited by examiner

