



US00D971251S

(12) **United States Design Patent** (10) **Patent No.:** **US D971,251 S**
Lu et al. (45) **Date of Patent:** **** Nov. 29, 2022**

(54) **DISPLAY SCREEN WITH GRAPHICAL USER INTERFACE**

9,785,312 B1 10/2017 Sanchez
D816,104 S 4/2018 Rauschenbach
D816,708 S 5/2018 Riedel
D816,709 S 5/2018 Riedel
D819,681 S 6/2018 Fung et al.
(Continued)

(71) Applicant: **Industrial Technology Research Institute, Hsinchu (TW)**

(72) Inventors: **Chia-Pei Lu, Hsinchu (TW); Tsu-Yi Ren, Kaohsiung (TW)**

FOREIGN PATENT DOCUMENTS

(73) Assignee: **INDUSTRIAL TECHNOLOGY RESEARCH INSTITUTE, Hsinchu (TW)**

CN 3047974755 * 8/2018
TW D186419 11/2017

OTHER PUBLICATIONS

(**) Term: **15 Years**

Li, Abner. "Google Play Store rolling out nested tab design that goes against Material guidelines." 9to5 Google, published Oct. 18, 2017 (Retrieved from the Internet Jul. 7, 2022). Internet URL: <<https://9to5google.com/2017/10/18/google-play-store-nested-tabs-design/>> (Year: 2017).*

(21) Appl. No.: **29/816,668**

(22) Filed: **Nov. 23, 2021**

(Continued)

Related U.S. Application Data

(62) Division of application No. 29/675,074, filed on Dec. 28, 2018, now Pat. No. Des. 940,187.

Primary Examiner — Rachel A. Voorhies

(51) **LOC (13) Cl.** **14-04**

(57) **CLAIM**

(52) **U.S. Cl.**
USPC **D14/487**

The ornamental design for a display screen with graphical user interface, as shown and described.

(58) **Field of Classification Search**
USPC D14/485–495
CPC H04M 1/72519–72561; G06F 15/0266;
G06Q 10/06; G06Q 10/109; G06Q 50/01
See application file for complete search history.

DESCRIPTION

FIG. 1 is a front view of a display screen with graphical user interface showing a first embodiment of our new design; FIG. 2 is a front view of a display screen with graphical user interface showing a second embodiment; and, FIG. 3 is a front view of a display screen with graphical user interface showing the second embodiment in a different environment.

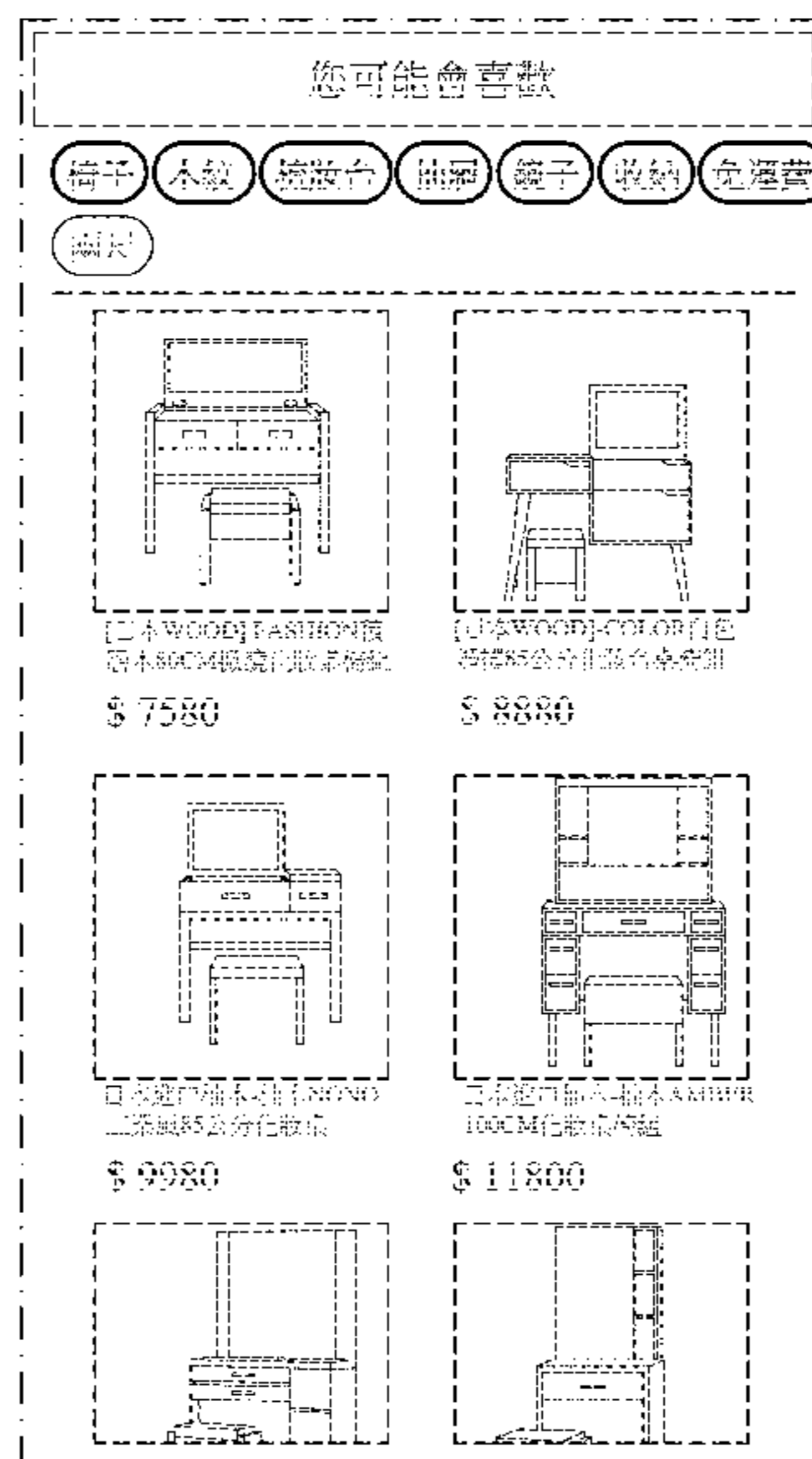
The dot-dash-dot broken lines show the display screen and form no part of the claimed design. The evenly broken lines illustrate portions of the graphical user interface that forms no part of the claimed design.

(56) **References Cited**

U.S. PATENT DOCUMENTS

D297,243 S 8/1988 Wells-Papanek
D656,945 S 4/2012 Lee
D689,893 S 9/2013 Perry
D748,646 S 2/2016 Kim
D749,619 S 2/2016 Coburn
D762,234 S 7/2016 Li
D766,257 S 9/2016 Zhang
D767,592 S 9/2016 Zhang

1 Claim, 3 Drawing Sheets



(56)

References Cited

U.S. PATENT DOCUMENTS

D830,403	S	10/2018	Subash	
D837,255	S	1/2019	Lucas	
D837,816	S	1/2019	Sanchez	
D837,817	S	1/2019	Sanchez	
D838,287	S	1/2019	Low	
D839,296	S	1/2019	Sanchez	
D839,902	S	2/2019	Low	
D847,824	S	5/2019	Toth	
D854,560	S	7/2019	Field	
D854,566	S	7/2019	Hsueh	
D861,029	S	9/2019	Toth	
D870,756	S	12/2019	Tabrizi	
10,521,073	B2	12/2019	Dukhon	
D874,491	S	2/2020	Kuo	
D877,162	S	3/2020	Hanson	
D878,395	S	3/2020	Feng	
D879,816	S	3/2020	Hodgson	
10,586,618	B2	3/2020	Schulze	
D881,221	S	4/2020	Chen	
D881,933	S	4/2020	Lawrence	
D882,612	S	4/2020	Antillon	
D882,614	S	4/2020	Zumbrunnen	
D884,724	S	5/2020	VanDuy	
D886,128	S	6/2020	Fatnani	
D890,190	S	7/2020	Van Duy	
D892,150	S	8/2020	Feng	
D892,817	S	8/2020	Feng	
D894,206	S *	8/2020	Naruns	D14/488
D894,951	S	9/2020	Krishna	
D895,655	S *	9/2020	Wang	D14/486
D901,530	S	11/2020	Maier	
D901,531	S	11/2020	Maier	
D905,701	S	12/2020	Feng	
D914,743	S	3/2021	Cha	
D916,870	S	4/2021	Hemsley	
D916,871	S	4/2021	Grantham	
D926,204	S	7/2021	Hardy	
D928,813	S *	8/2021	Nurutdinov	D14/486
11,087,341	B2 *	8/2021	Wohlwend	G06Q 30/06
D939,562	S *	12/2021	Lu	D14/487
D940,187	S *	1/2022	Lu	G06F 3/0481 D14/487
11,245,785	B2 *	2/2022	Shuttleworth	G06F 3/0481
2006/0111953	A1	5/2006	Setya	
2018/0356952	A1	12/2018	Boothroyd	

OTHER PUBLICATIONS

Kishore. “Day 360—Fun Workspaces Finder App.” Project365, published Dec. 26, 2018 (Retrieved from the Internet Jul. 7, 2022). Internet URL: <https://project365.design/2018/12/26/day-360-fun-workspaces-finder-app/> (Year: 2018).*

Yalanska, Marina et al. “UI Experiments: Options for Recipe Cards in a Food App.” UX Planet, published Mar. 5, 2018 (Retrieved from the Internet Aug. 11, 2020). Internet URL: <https://uxplanet.org/ui-experiments-recipe-cards-options-in-a-food-app-36dce82d7b01> (Year: 2018).*

Abriu. “demo.” Dribbble, published Aug. 6, 2018 (Retrieved from the Internet Jul. 7, 2022). Internet URL: <https://dribbble.com/shots/4918852-demo> (Year: 2018).*

Weinde. “Materialize chips not display corectly in firefox and chrome.” Stack Overflow, published Nov. 28, 2016 (Retrieved from the Internet Nov. 13, 2020). Internet URL: <https://stackoverflow.com/questions/40845777/materialize-chips-not-displayed-corectly-in-firefox-and-chrome> (Year: 2016)

Nawa. Post in Android & Kotlin Experts chat. Stack Overflow, published May 18, 2016 (Retrieved from the Internet Nov. 13, 2020). Internet URL: <https://chat.stackoverflow.com/transcript/50272/2016/5/18/3-10> (Year: 2016).

Sonnenschein, Lea Marolt. “6 Best Practices for Mobile App Search Filtering.” raywenderlich.com, published Mar. 3, 2017. Retrieved from the Internet Nov. 12, 2020). Internet URL: <https://www.raywenderlich.com/718-6-best-practices-for-nmobile-app-search-filtering#toc-anchor-001> (Year: 2017).

Matthaisbe. “Limit number of chips display.” Stack Overflow, published Mar. 6, 2018 (Retrieved from the Internet Nov. 13, 2020). Internet URL: <https://stackoverflow.com/questions/49129429/limit-number-of-chips-display/> (Year: 2018).

Notte, David. “Add tags.” Dribbble, published Jun. 28, 2011 (Retrieved from the Internet Aug. 11, 2021). Internet URL: <https://dribbble.com/shots/200746-Add-tags> (Year: 2011).

Filipetm. “html—How to make and-chips overflow horizontally.” Stack Overflow, published Nov. 7, 2017 (Retrieved from the Internet Nov. 12, 2020). Internet URL: https://stackoverflow.com/questions/47157984/how-to-make-nnd-chips-overflow-horizontallyYear:2017).

Adamszeptycki. “Bad ui for select with chip.” GitHub, published Mar. 11, 2018 (Retrieved from the Internet Aug. 11, 2021). Internet URL: <https://github.com/mui-org/material-ui-issues/10609> (Year: 2018).

Karabara, Firat. “Chips: Material Components for Android.” Material Design in Action, published Jul. 22, 2018 (Retrieved from the Internet Aug. 12, 2021). Internet URL: <https://nmediunn.com/nmaterial-design-in-action/chips-material-components-for-android-46001664a40f> (Year: 2018).

Francis. “Answer to ‘textView—dynamically create a collection or words with ui like tags.’” Stack Overflow, published Nov. 29, 2018 (Retrieved from the Internet Aug. 11, 2021). Internet URL: <https://stackoverflow.com/questions/22114971/android-dynamically-create-a-collection-of-words-with-ui-like-tags> (Year: 2018).

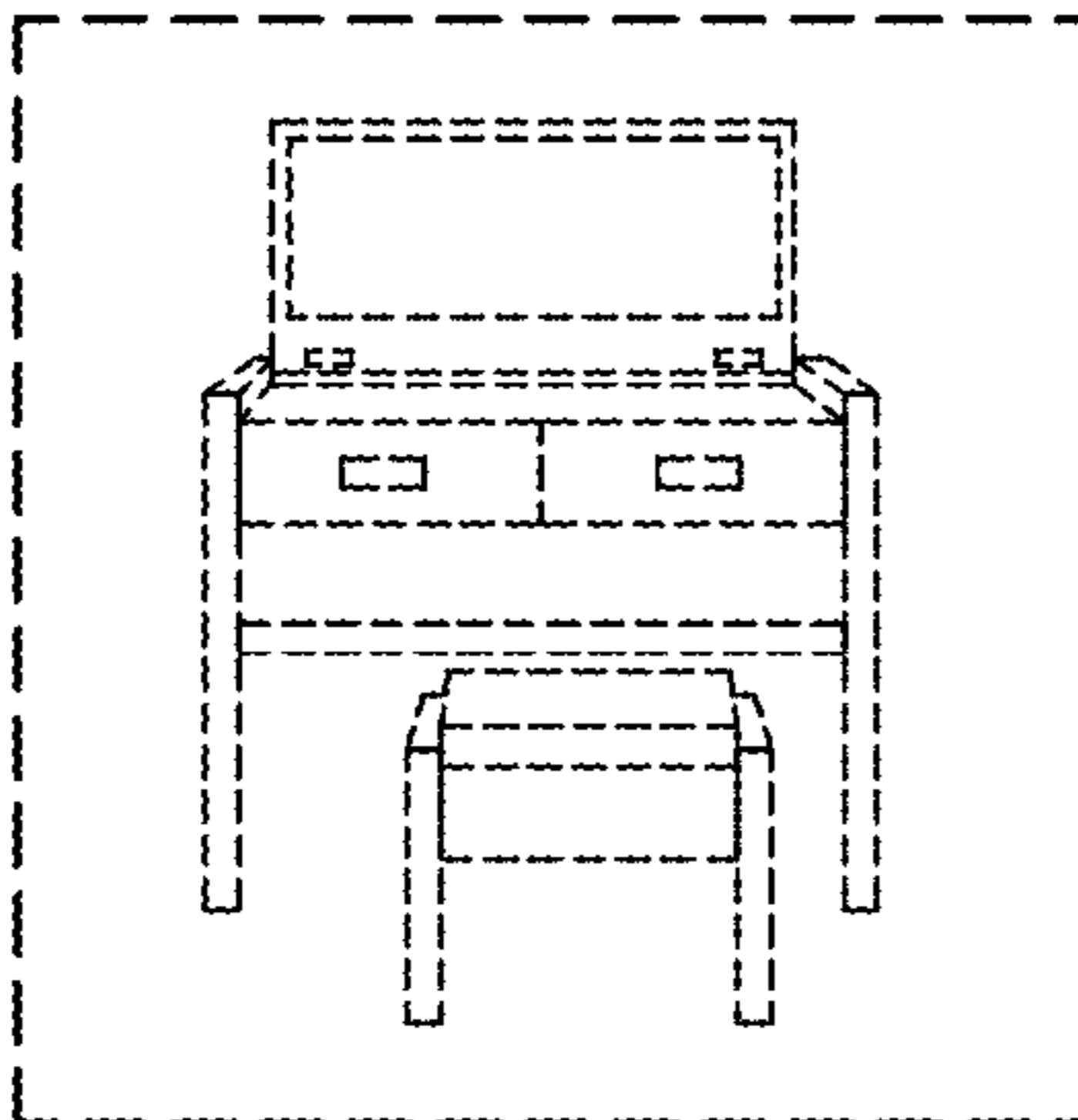
Seraphin, Brice. “Filter Widget UI Design.” EpicPxls, published Jun. 7, 2018 (Retrieve from the Internet Aug. 11, 2021). Internet URL: <https://www.epicpxls.com/items/filters-widget-ui-design> (Year: 2018).

* cited by examiner

您可能喜歡

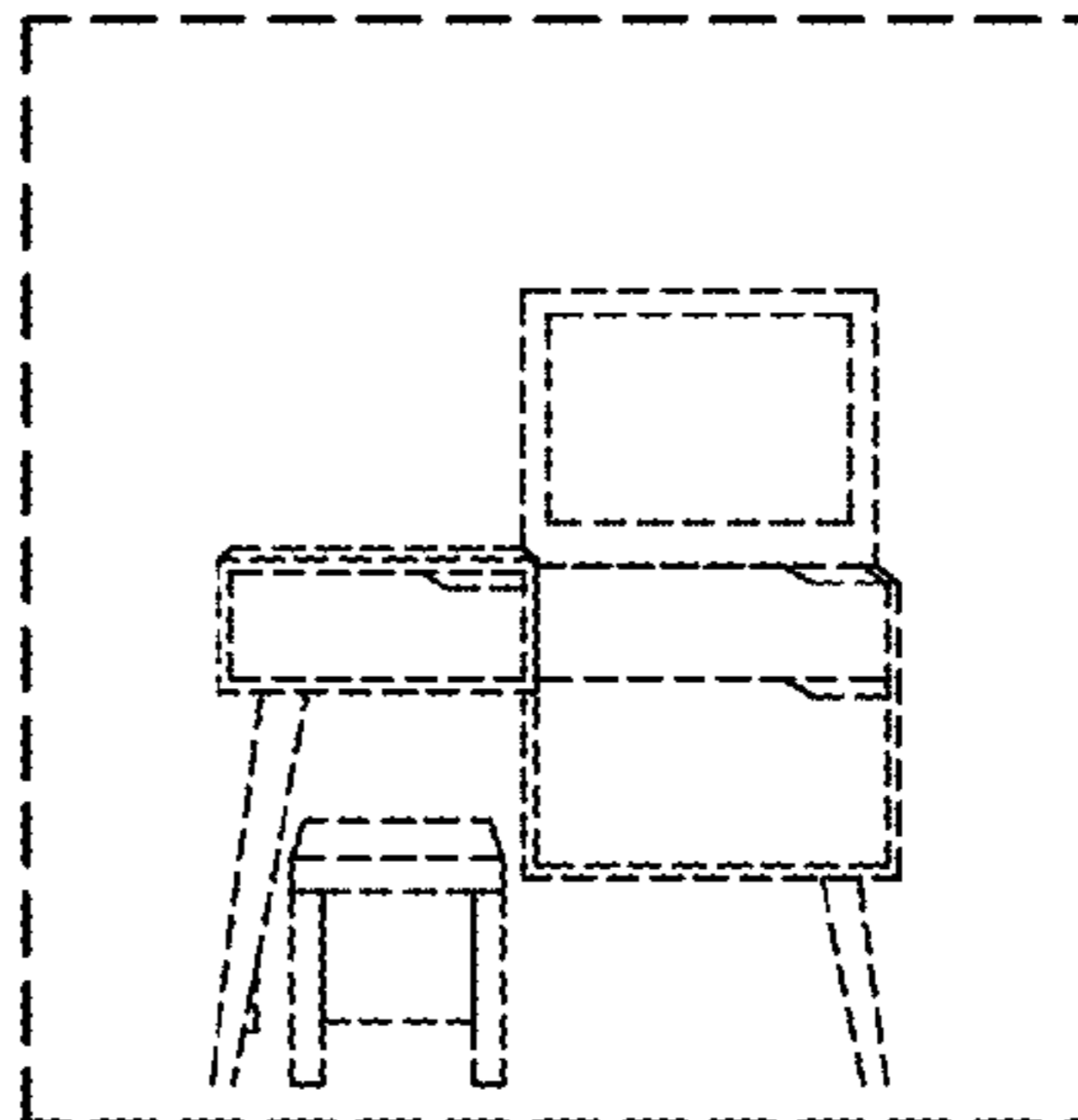
椅子 木紋 梳妝台 抽屜 鏡子 化妝鏡 免運費

兩尺



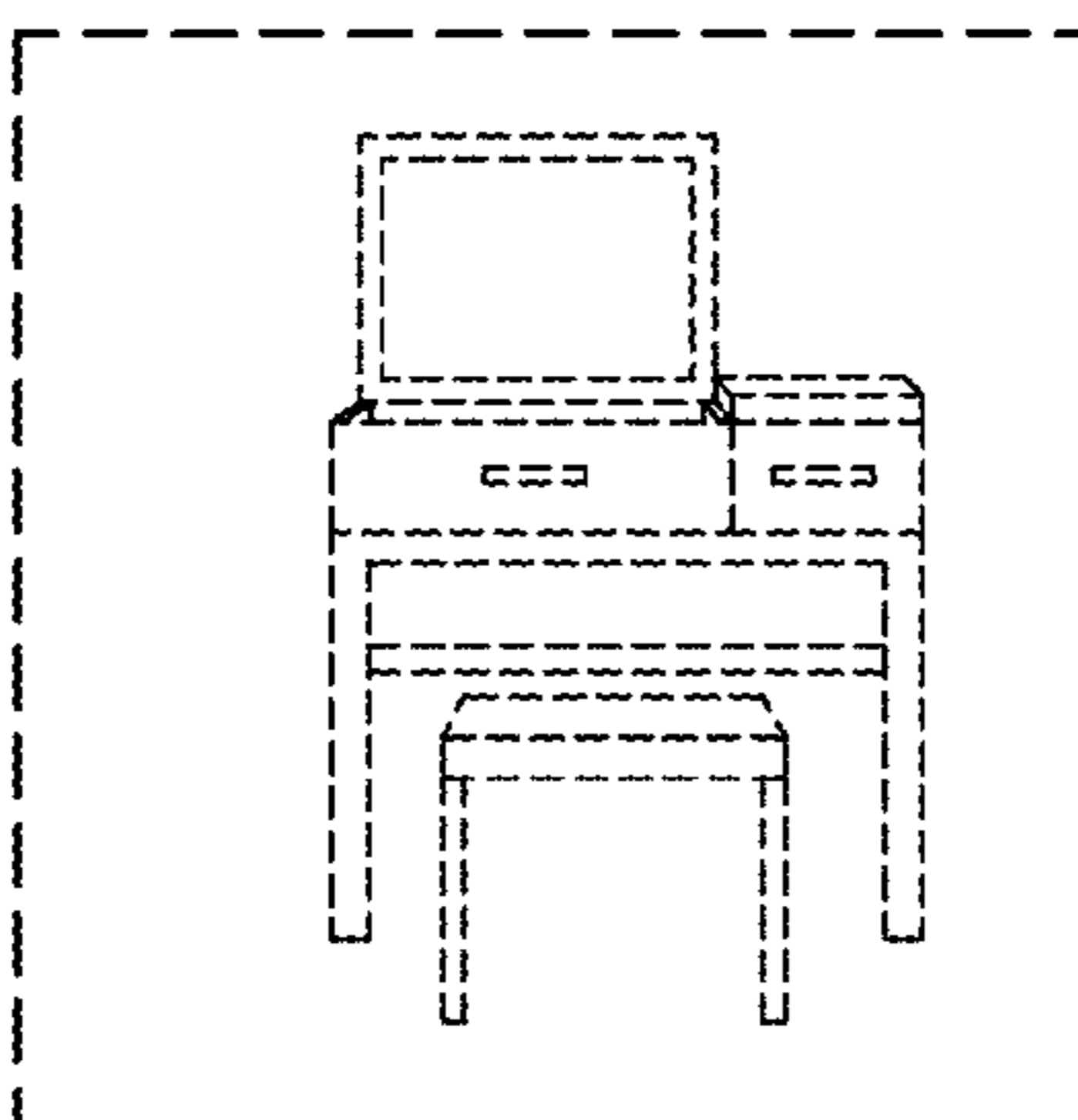
[日本WOOD] FASHION積層木80CM掀鏡化妝桌椅組

\$ 7580



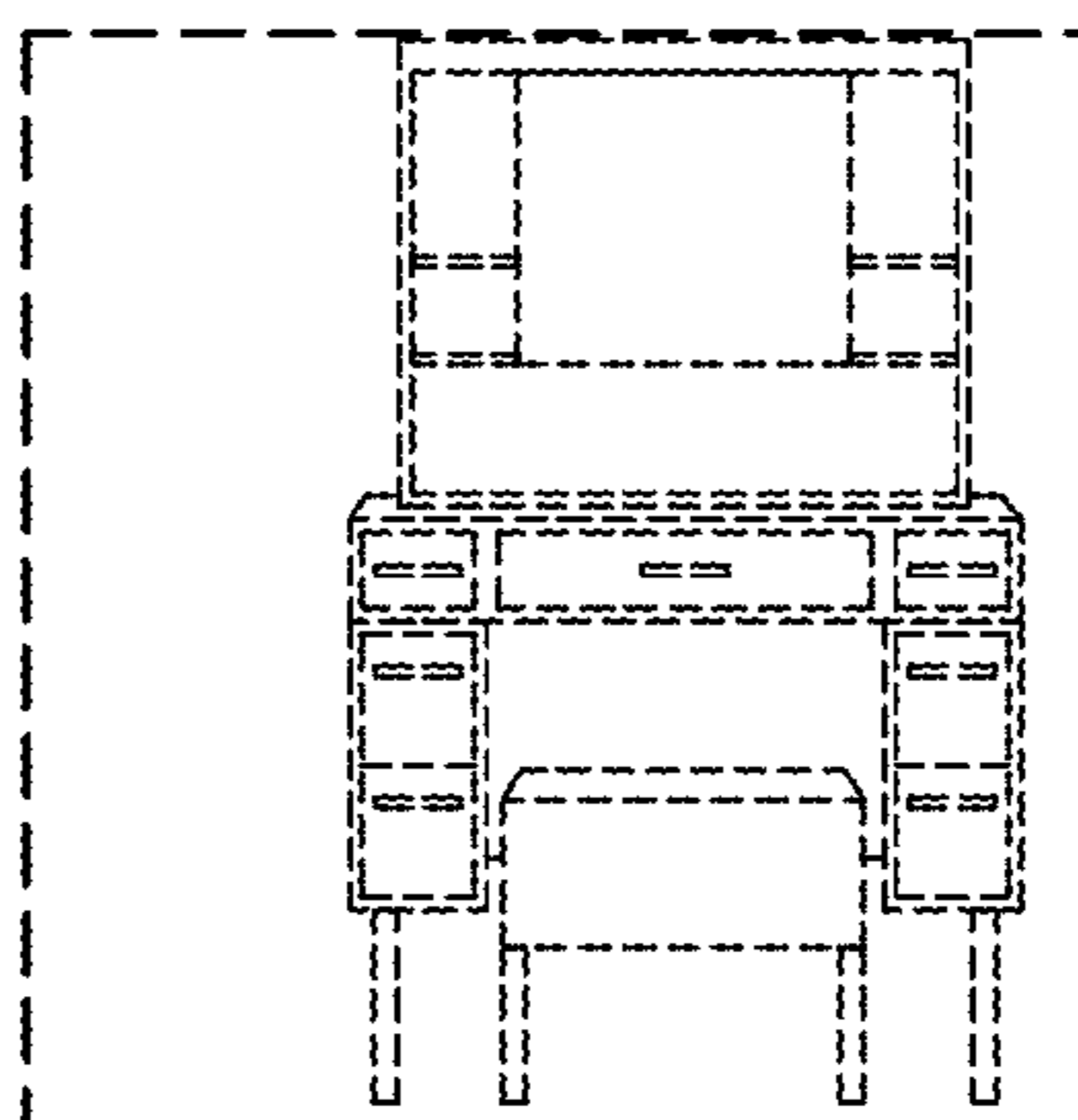
[日本WOOD]-COLOR白色婚禮85公分化妝台桌椅組

\$ 8880



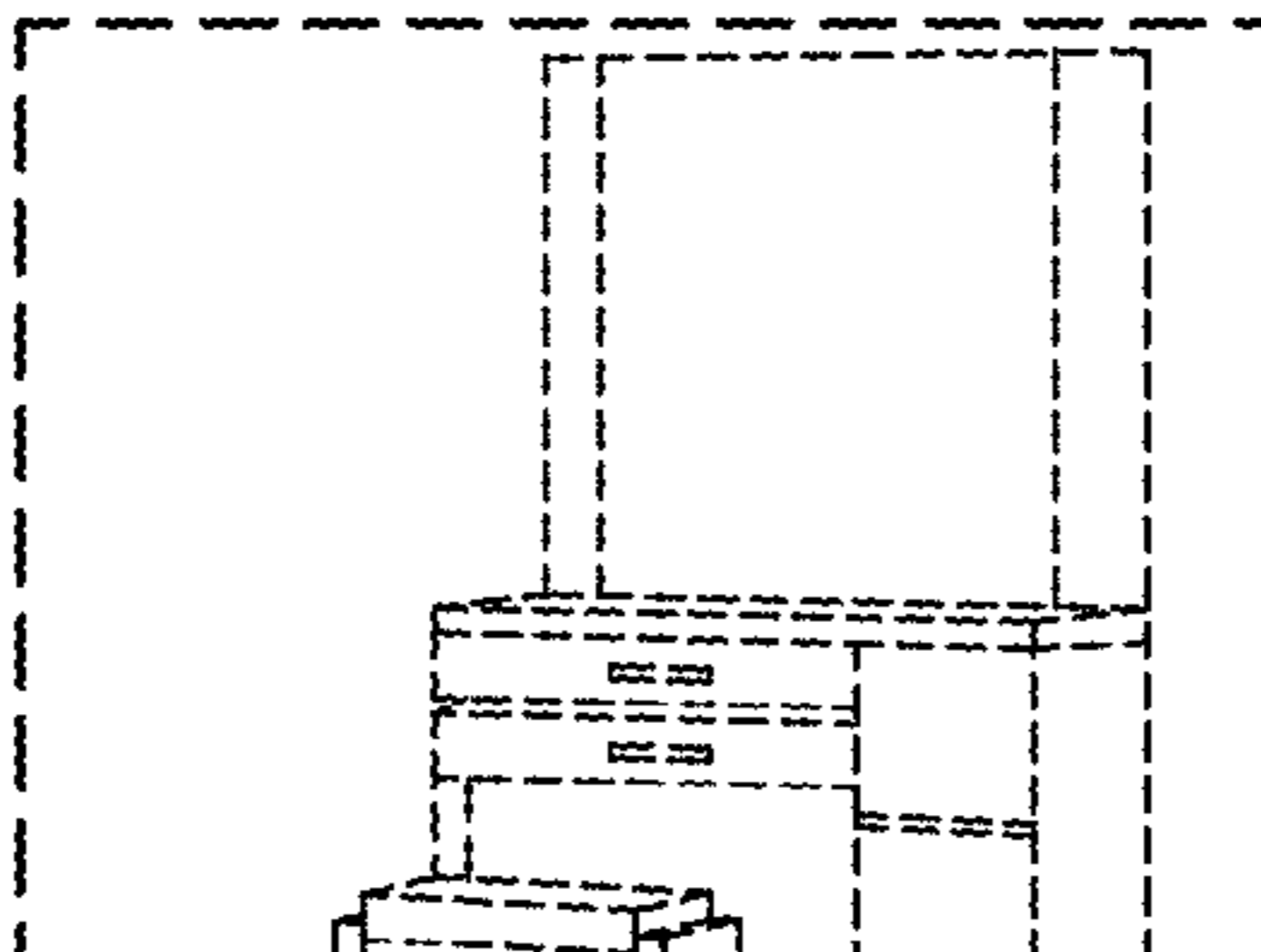
日本進口柚木-柚木NONO工業風85公分化妝桌

\$ 9980



日本進口柚木-柚木AMBER100CM化妝桌椅組

\$ 11800



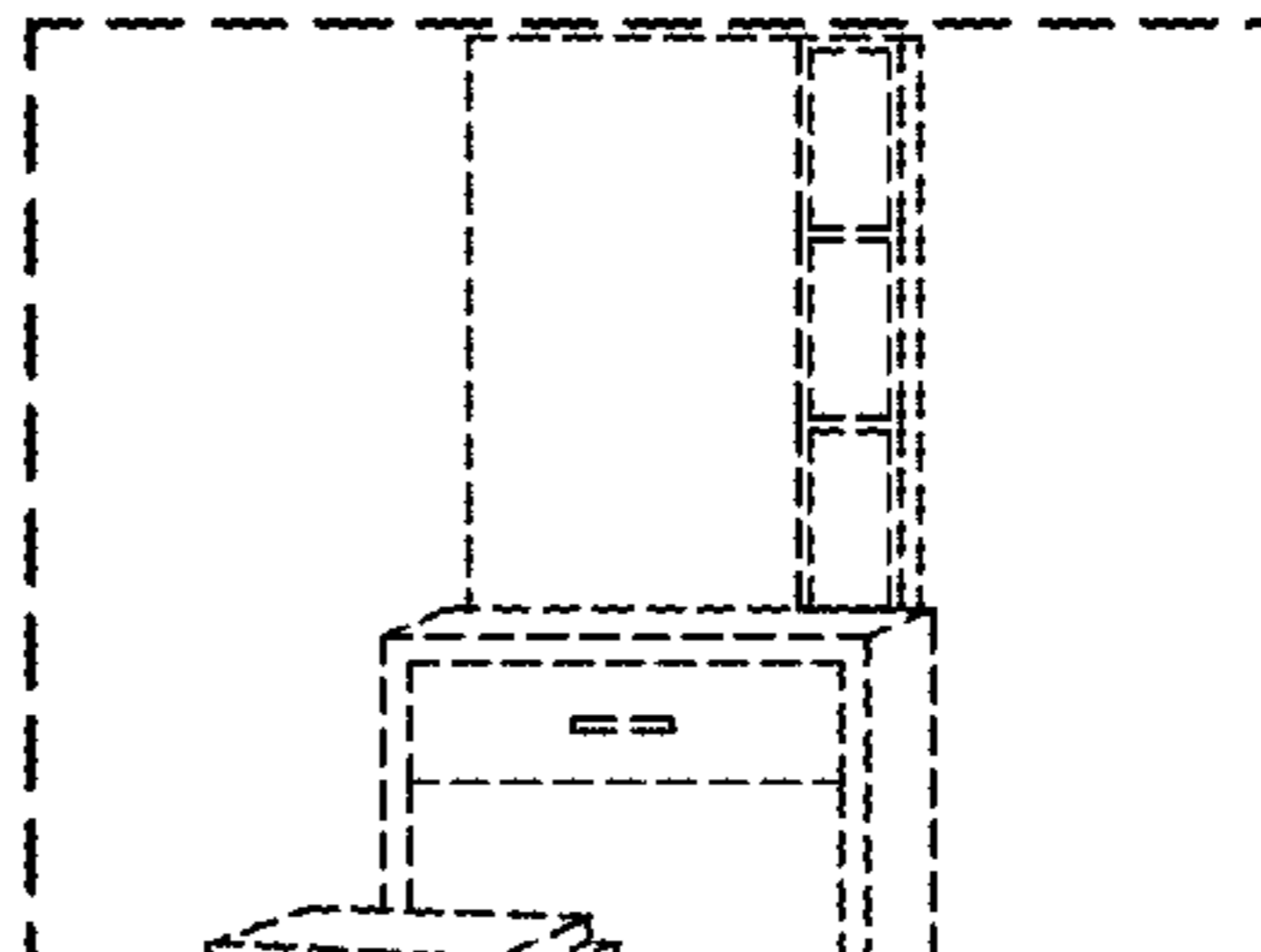
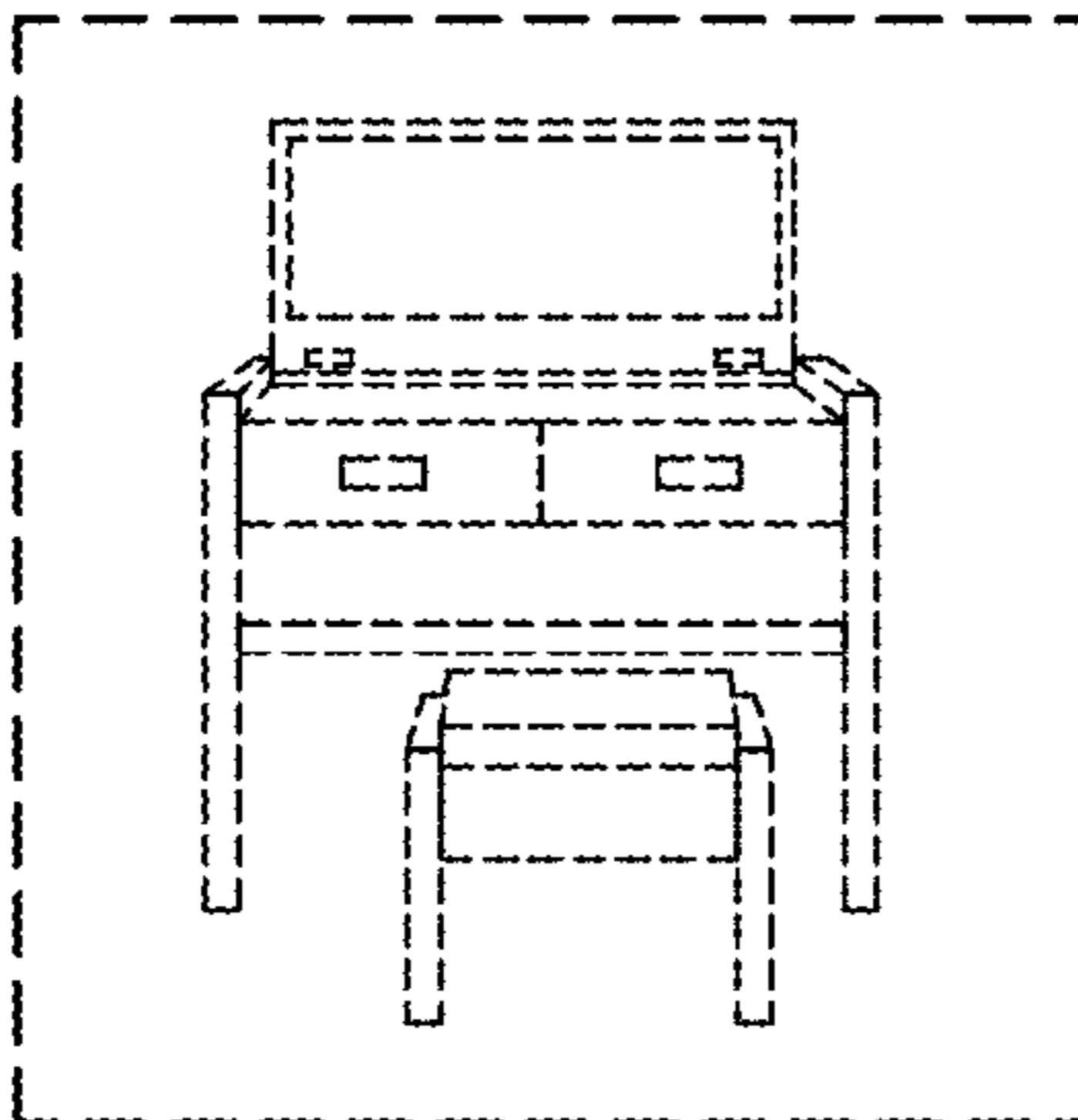


FIG. 1

您可能喜歡

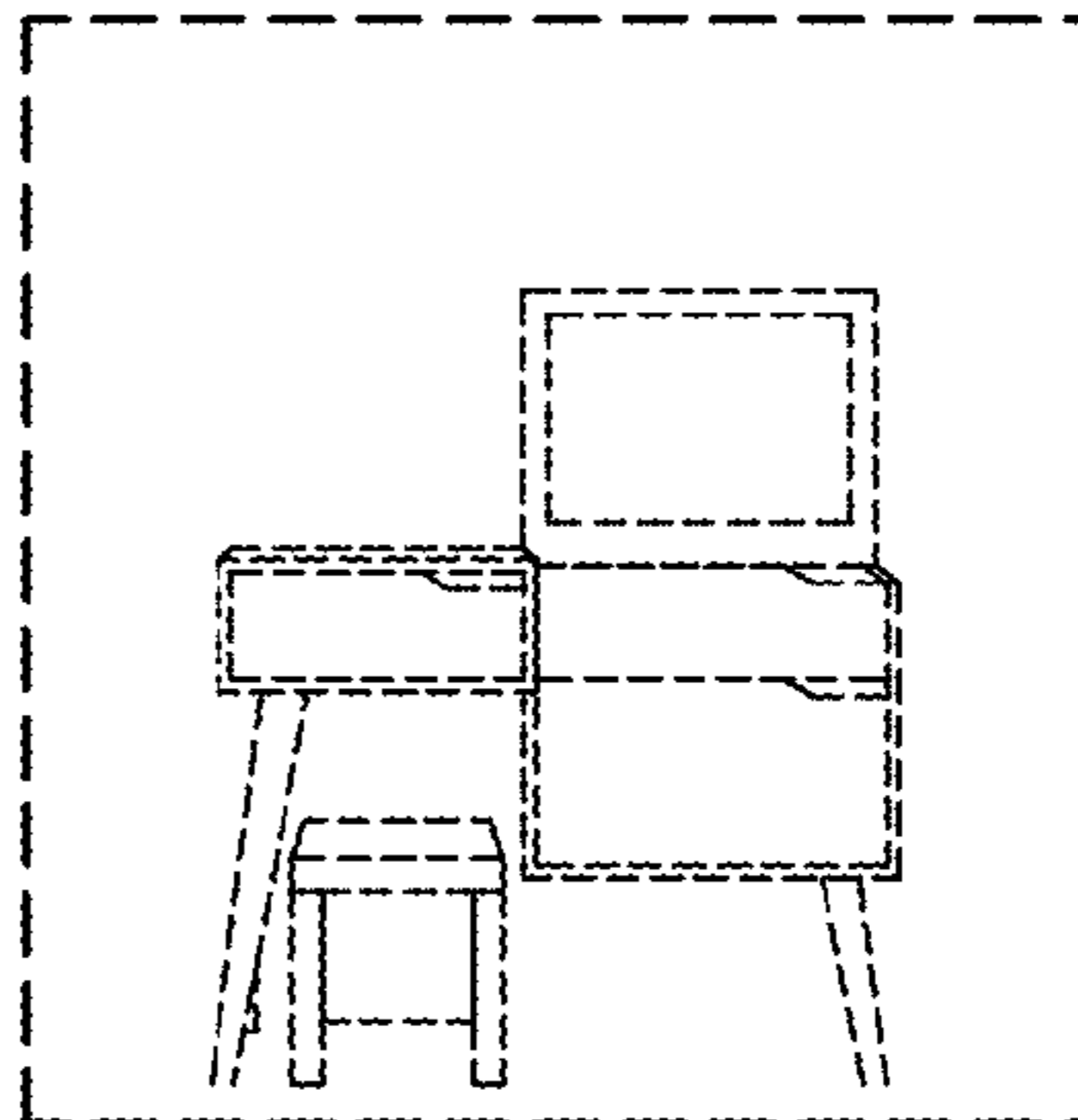
分類 化妝台 日本 鏡子 化妝 免運費 北歐風

兩尺



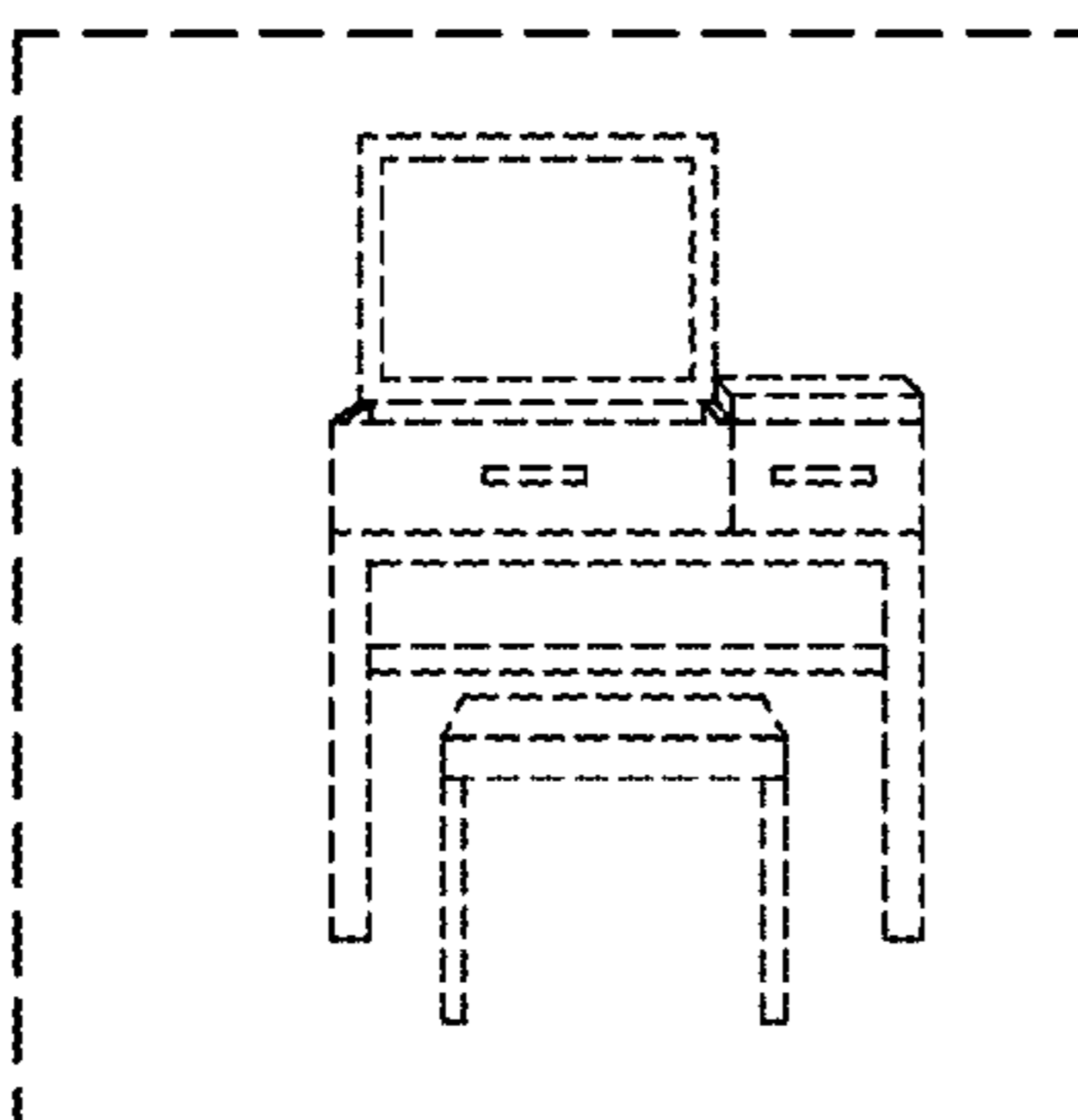
[日本WOOD] FASHION積層木80CM掀鏡化妝桌椅組

\$ 7580



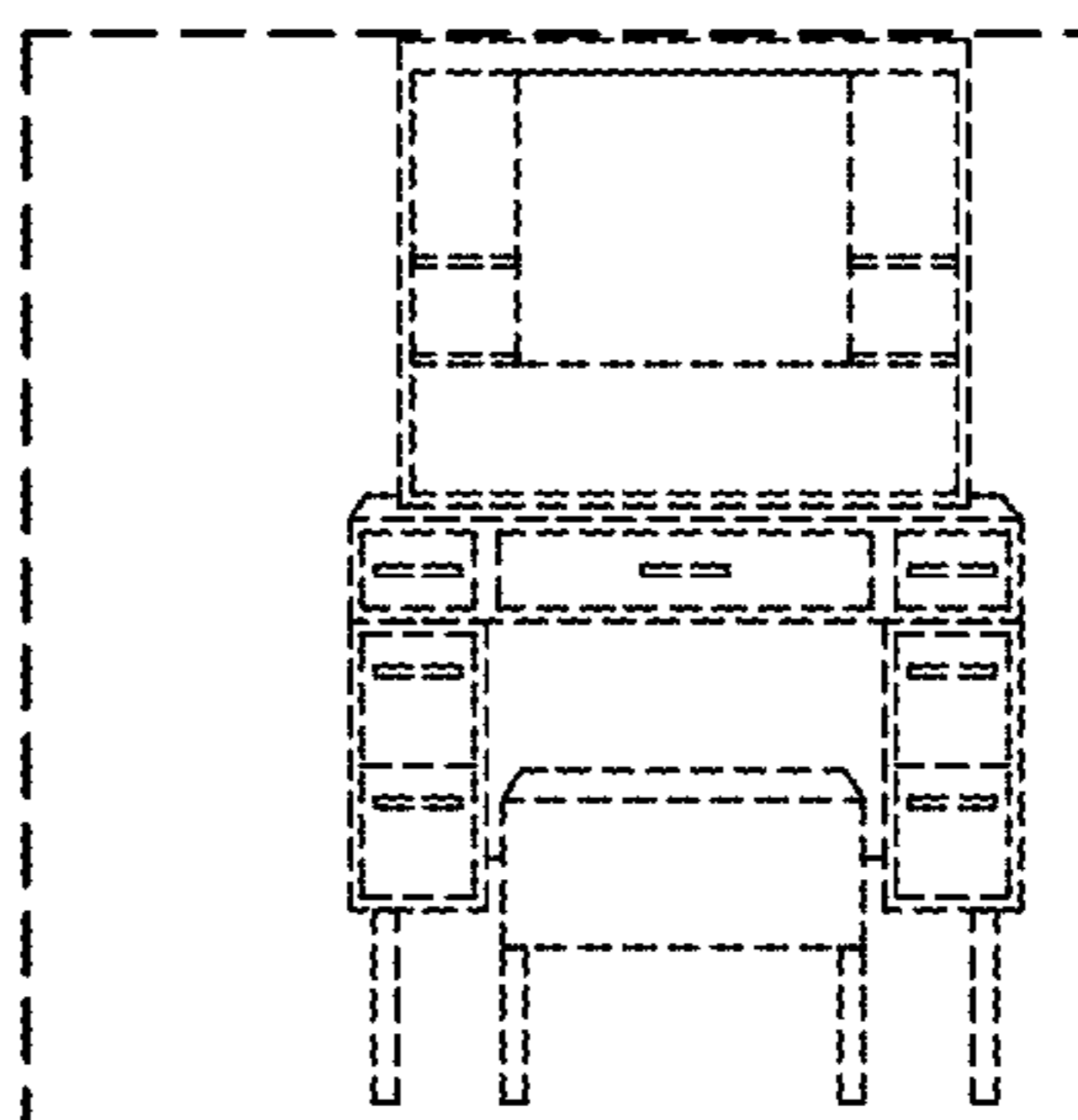
[日本WOOD]-COLOR白色婚禮85公分化妝台桌椅組

\$ 8880



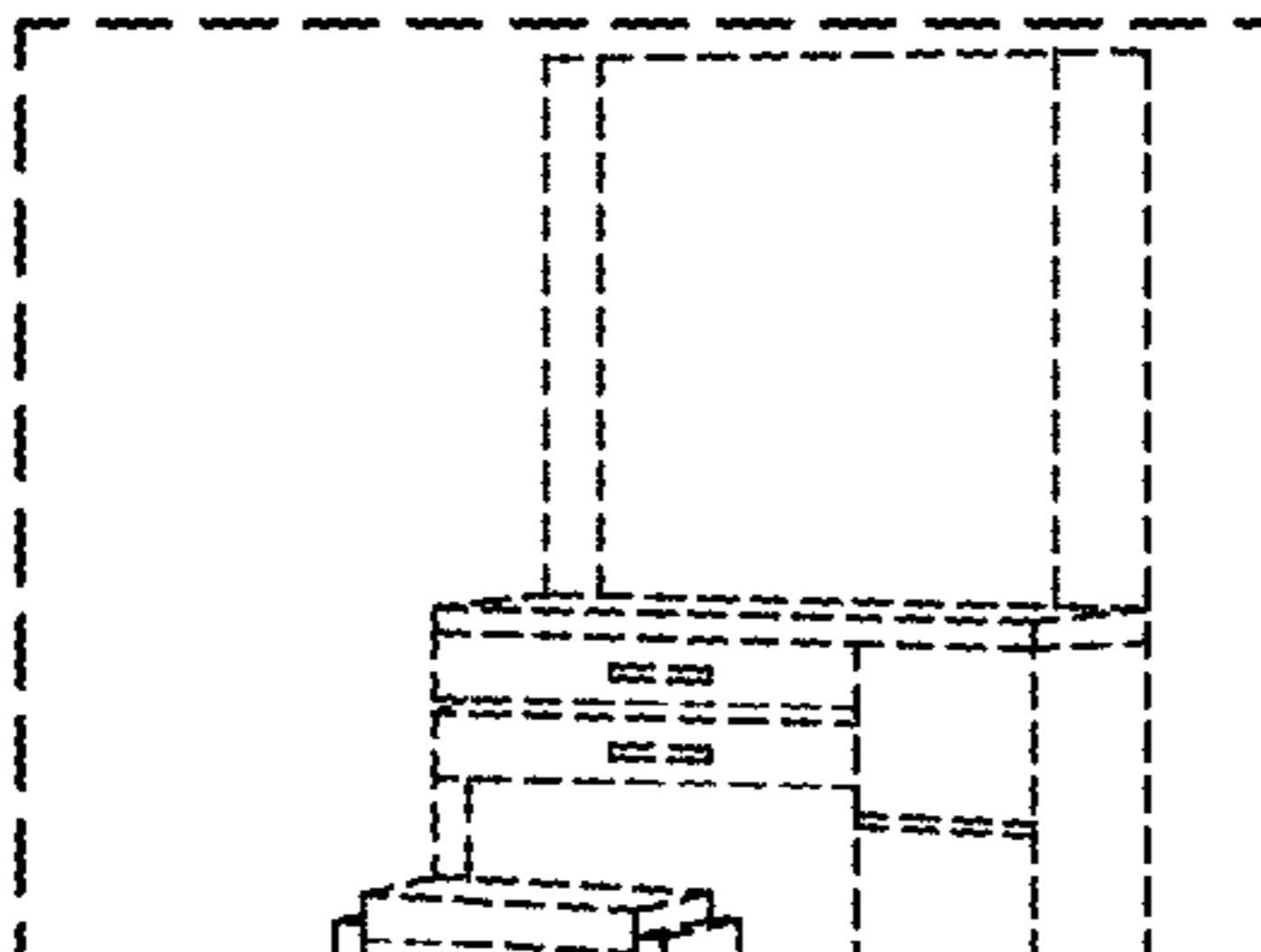
日本進口柚木-柚木NONO工業風85公分化妝桌

\$ 9980



日本進口柚木-柚木AMBER100CM化妝桌椅組

\$ 11800



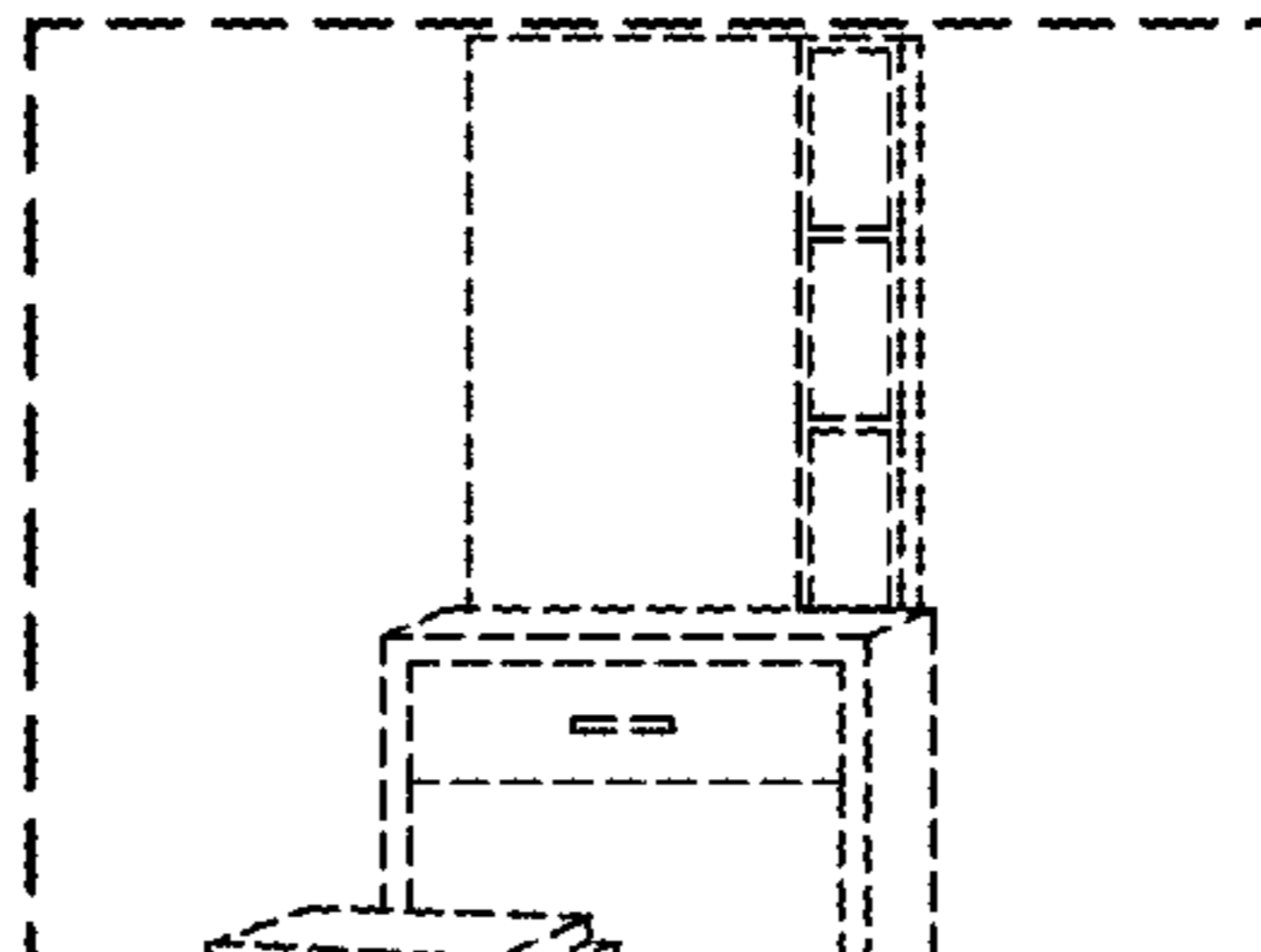


FIG. 2

您可能喜歡

分類
化妝台
日本WOOD
鏡子
化妝鏡
免運費
北歐風

兩尺

<p>[日本WOOD] FASHION積層木80CM掀鏡化妝桌椅組</p>	<p>[日本WOOD]-COLOR白色婚禮85公分化妝台桌椅組</p>
<p>\$ 7580</p>	<p>\$ 8880</p>
<p>日本進口柚木-柚木NONO工業風85公分化妝桌</p>	<p>日本進口柚木-柚木AMBER100CM化妝桌椅組</p>
<p>\$ 9980</p>	<p>\$ 11800</p>
<p>[PRESENT] 現代風格3.0</p>	<p>日本進口柚木-ZEUS復古</p>

FIG. 3