



US00D971232S

(12) **United States Design Patent** (10) **Patent No.:** **US D971,232 S**
Siebel et al. (45) **Date of Patent:** **** Nov. 29, 2022**

(54) **DISPLAY SCREEN OR PORTION THEREOF WITH ANIMATED GRAPHICAL USER INTERFACE**

- (71) Applicant: **Ethicon LLC**, Guaynabo, PR (US)
- (72) Inventors: **Tony C. Siebel**, Cincinnati, OH (US); **Sol A. Posada**, Solothurn (CH); **Richard L. Leimbach**, Cincinnati, OH (US); **Raymond E. Parfett**, Loveland, OH (US); **Kevin D. Sackett**, Independence, KY (US); **John V. Hunt**, Cincinnati, OH (US); **Douglas E. Withers**, Cincinnati, OH (US); **Mark D. Overmyer**, Cincinnati, OH (US); **Shane R. Adams**, Lebanon, OH (US)
- (73) Assignee: **Cilag GmbH International**, Zug (CH)
- (**) Term: **15 Years**
- (21) Appl. No.: **29/765,670**
- (22) Filed: **Jan. 11, 2021**

Related U.S. Application Data

- (62) Division of application No. 29/619,624, filed on Sep. 29, 2017, now Pat. No. Des. 907,648.
- (51) **LOC (13) Cl.** **14-04**
- (52) **U.S. Cl.**
USPC **D14/485**
- (58) **Field of Classification Search**
USPC D14/485-495
CPC G06T 13/00; G06T 13/80
See application file for complete search history.

(56) **References Cited**

U.S. PATENT DOCUMENTS

D859,466 S *	9/2019	Okada	D14/492
D917,500 S *	4/2021	Siebel	D14/485
2009/0204126 A1 *	8/2009	Le	A61B 17/0467 606/138
2014/0224686 A1 *	8/2014	Aronhalt	A61B 17/07292 206/339
2015/0272579 A1 *	10/2015	Leimbach	H01R 35/025 227/180.1

* cited by examiner

Primary Examiner — Leanne Was-Englehart

(57) **CLAIM**

The ornamental design for a display screen or portion thereof with animated graphical user interface, as shown and described.

DESCRIPTION

FIG. 1 is a front view of a display screen or portion thereof with animated graphical user interface showing a first image in a sequence.

FIG. 2 is a second image thereof.

FIG. 3 is a third image thereof.

FIG. 4 is a fourth image thereof.

FIG. 5 is a fifth image thereof.

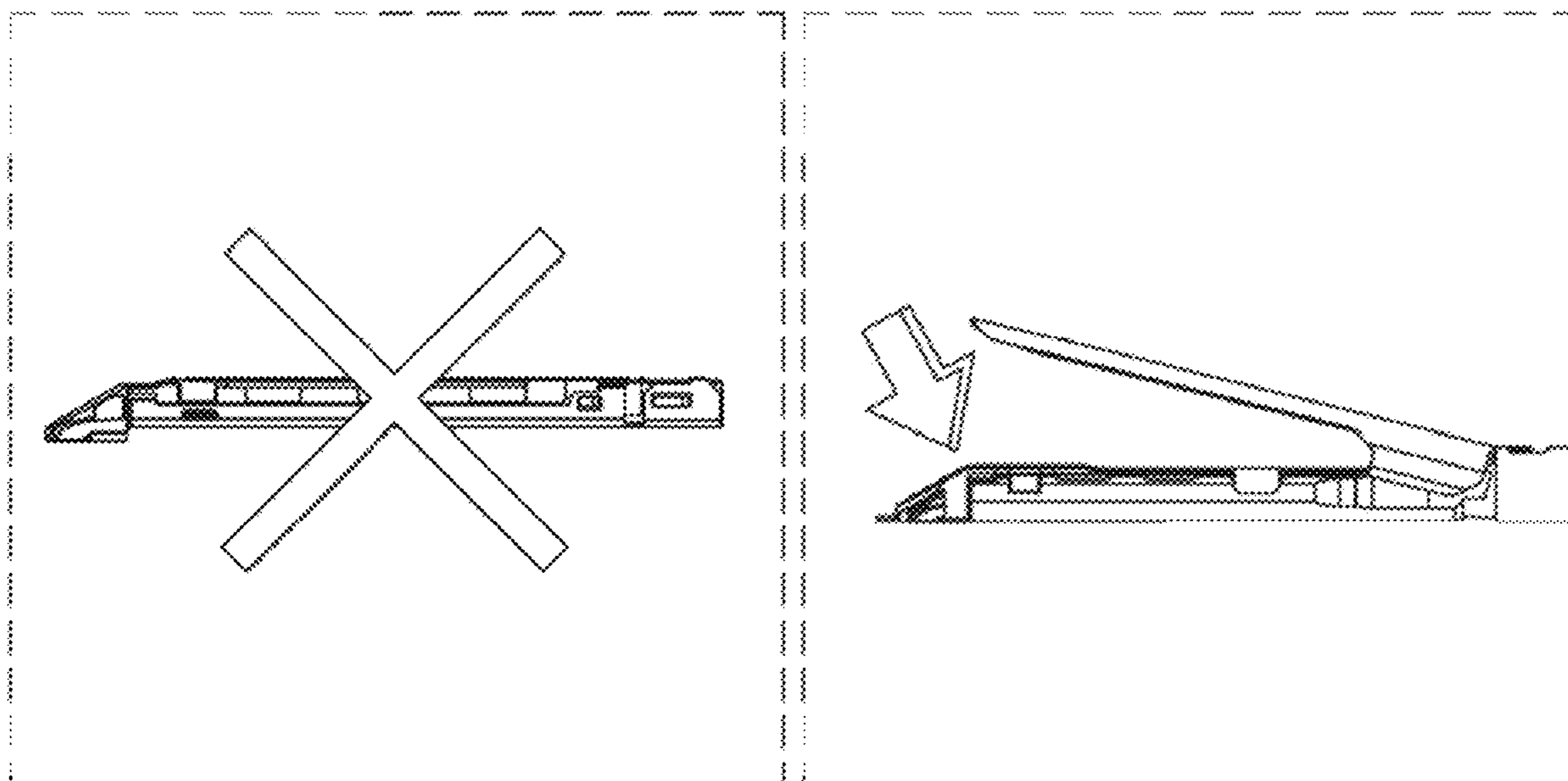
FIG. 6 is a sixth image thereof; and,

FIG. 7 is a seventh image thereof.

The broken lines show a display screen or portion thereof and form no part of the claimed design.

The appearance of the animated images transitions between the images shown in FIGS. 1-7. The process or period in which one image transitions to another forms no part of the claimed design.

1 Claim, 7 Drawing Sheets



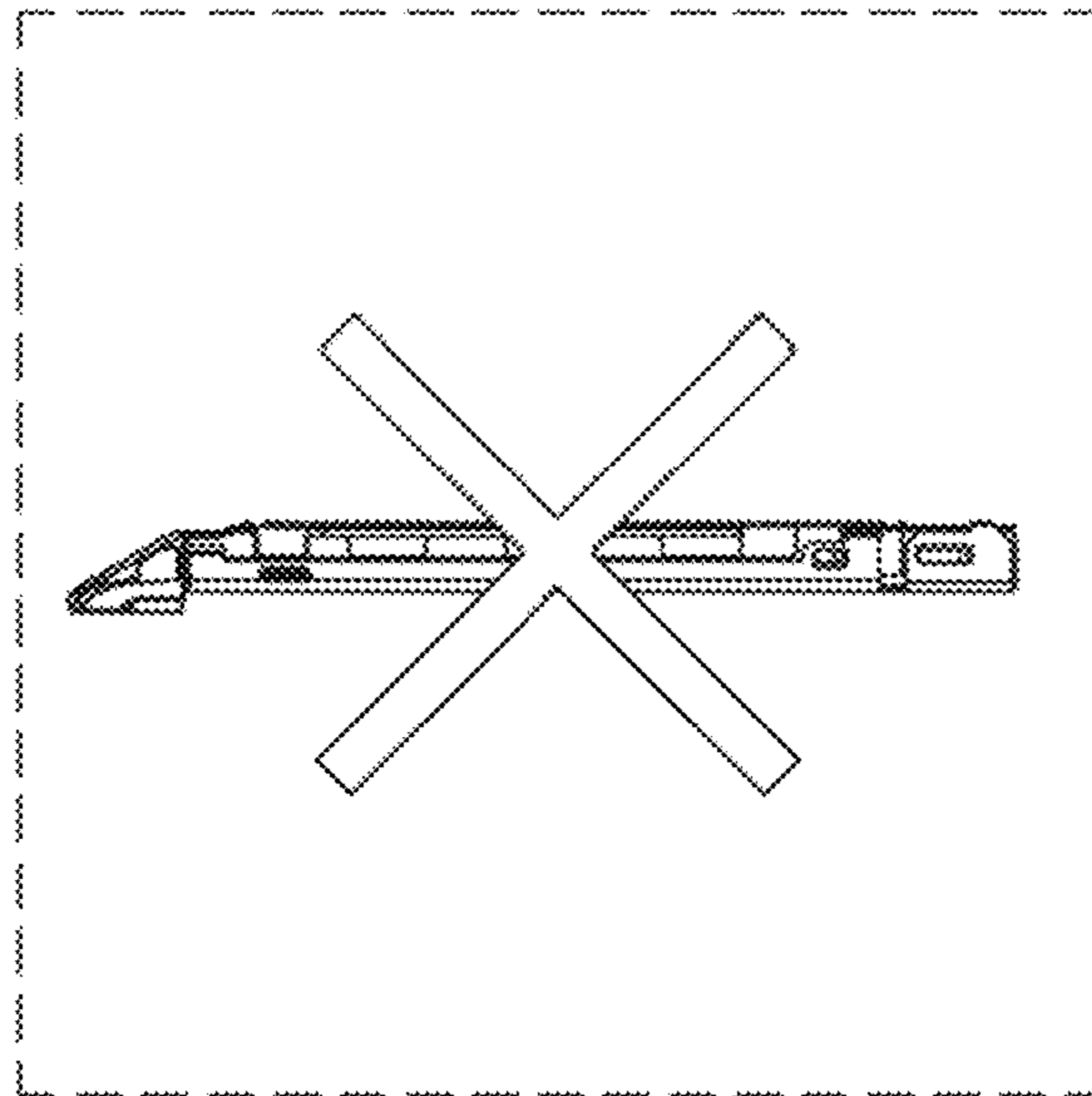


FIG. 1

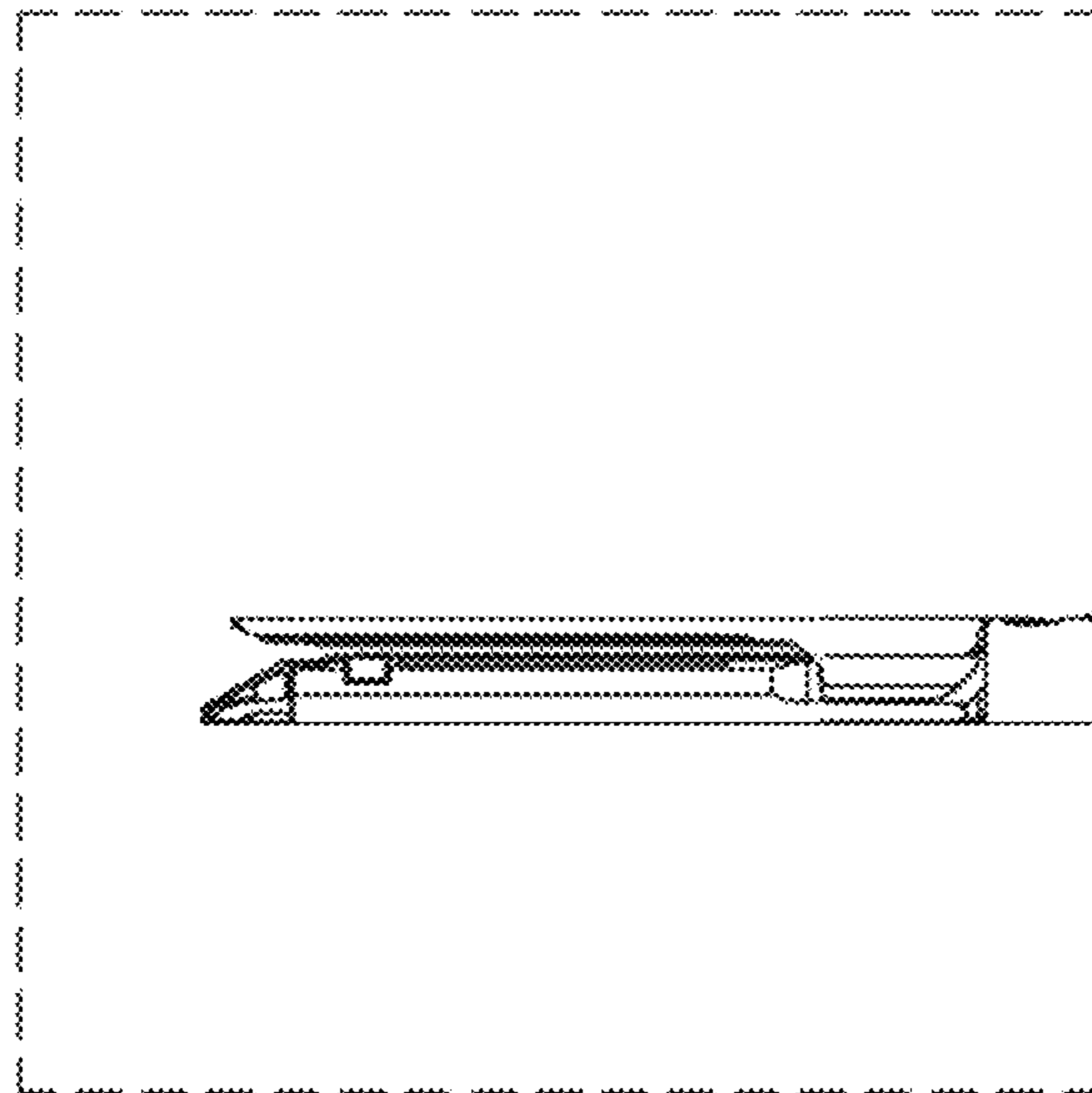


FIG. 2

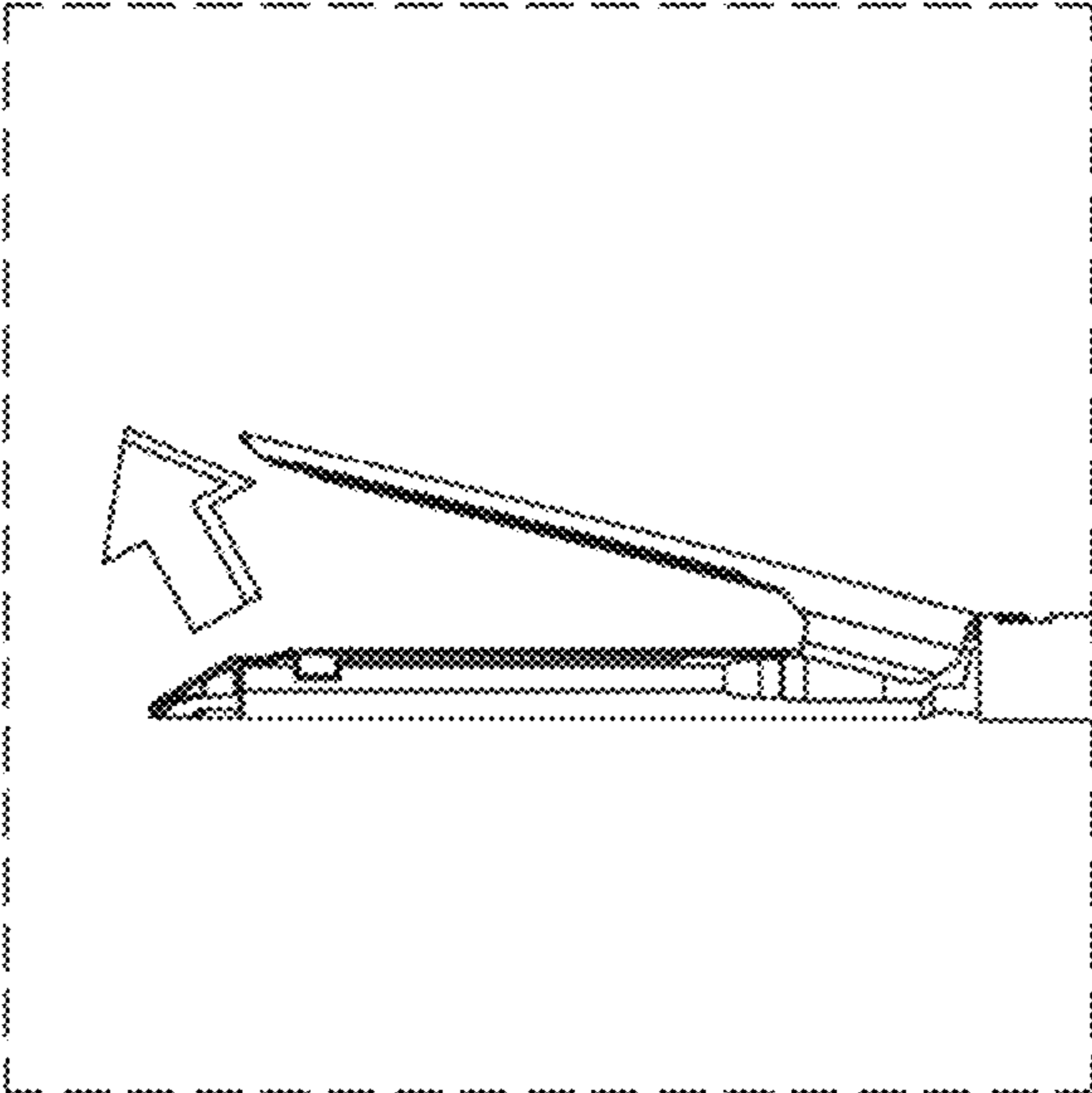


FIG. 3

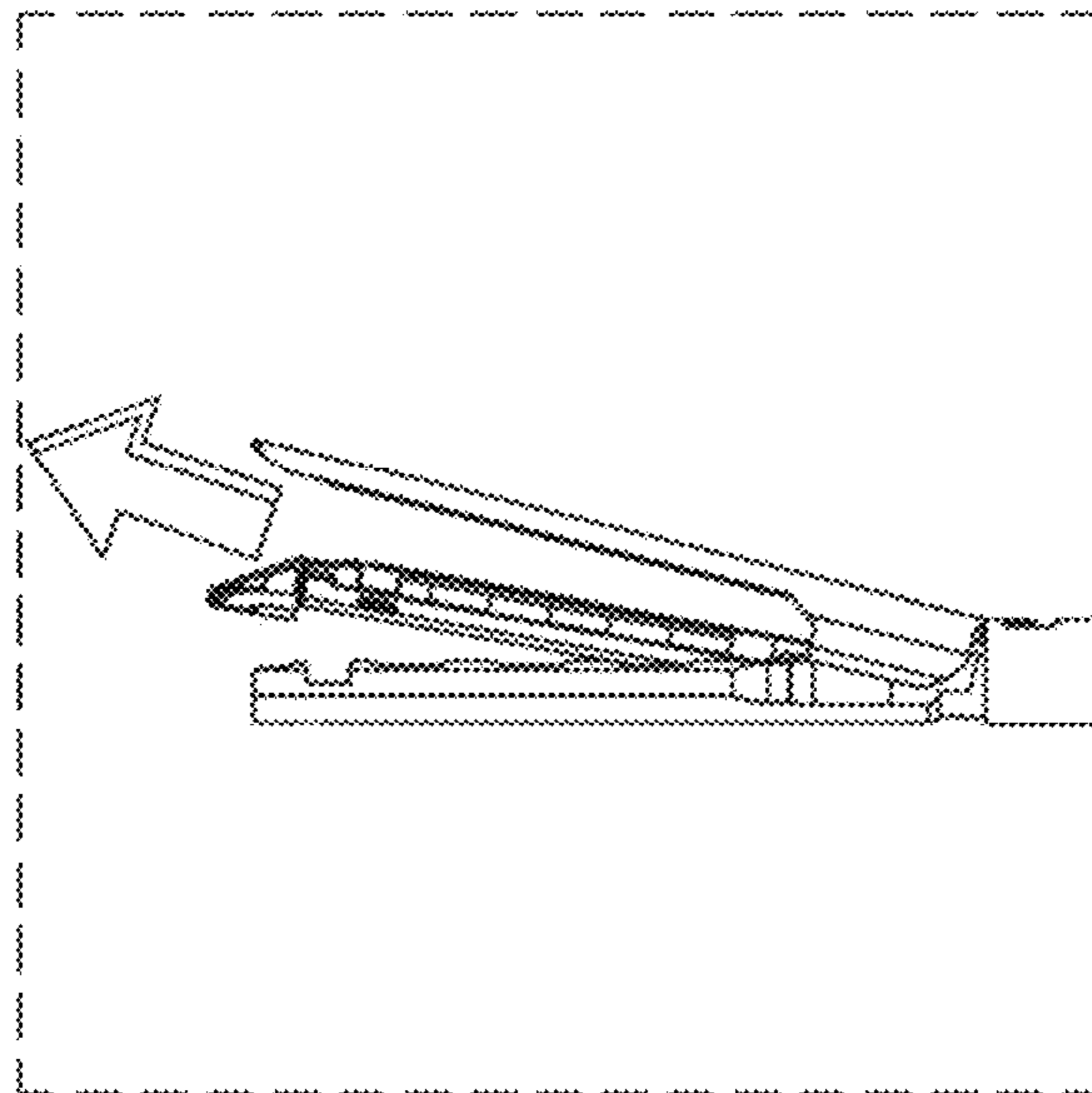


FIG. 4

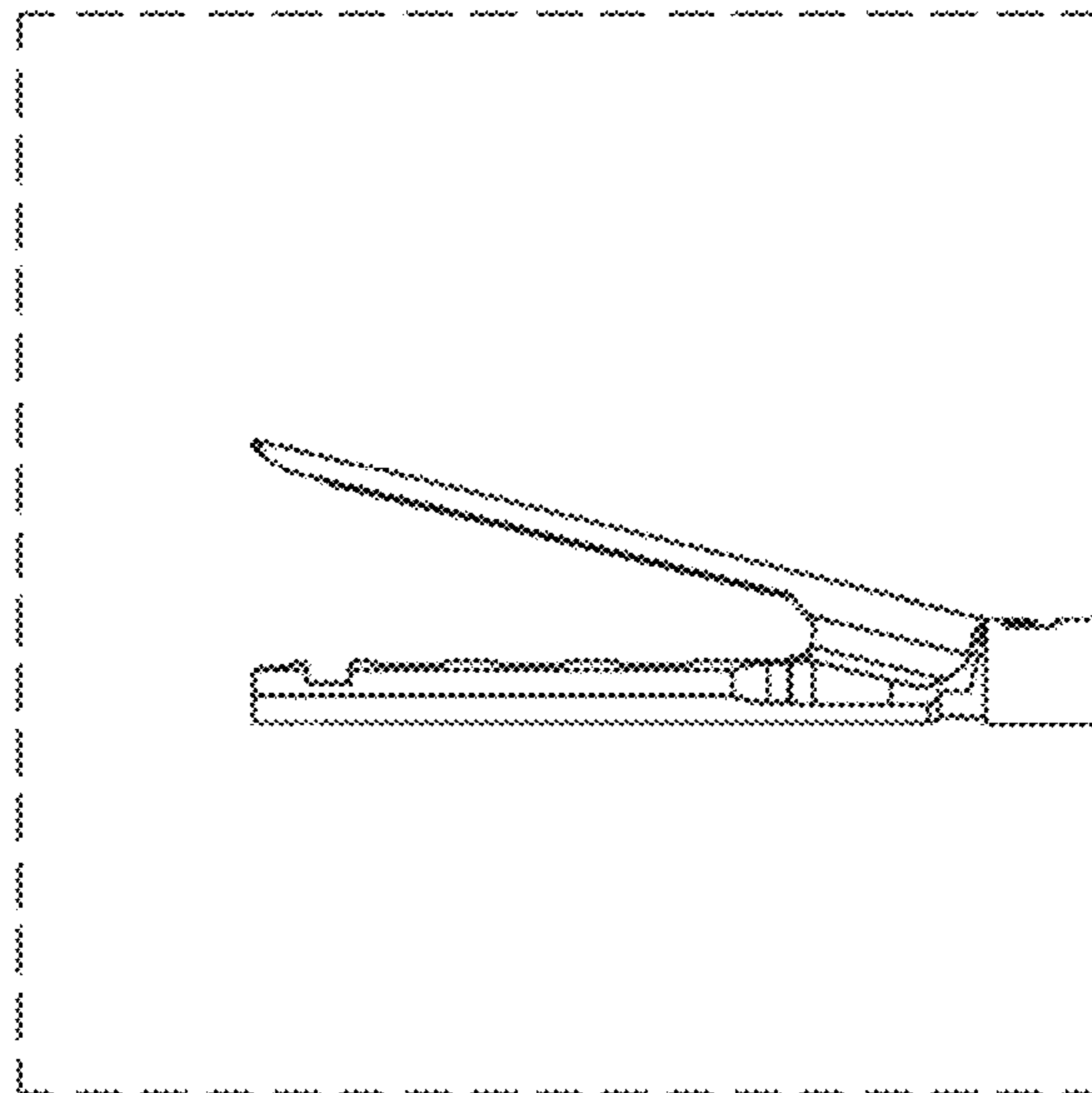


FIG. 5

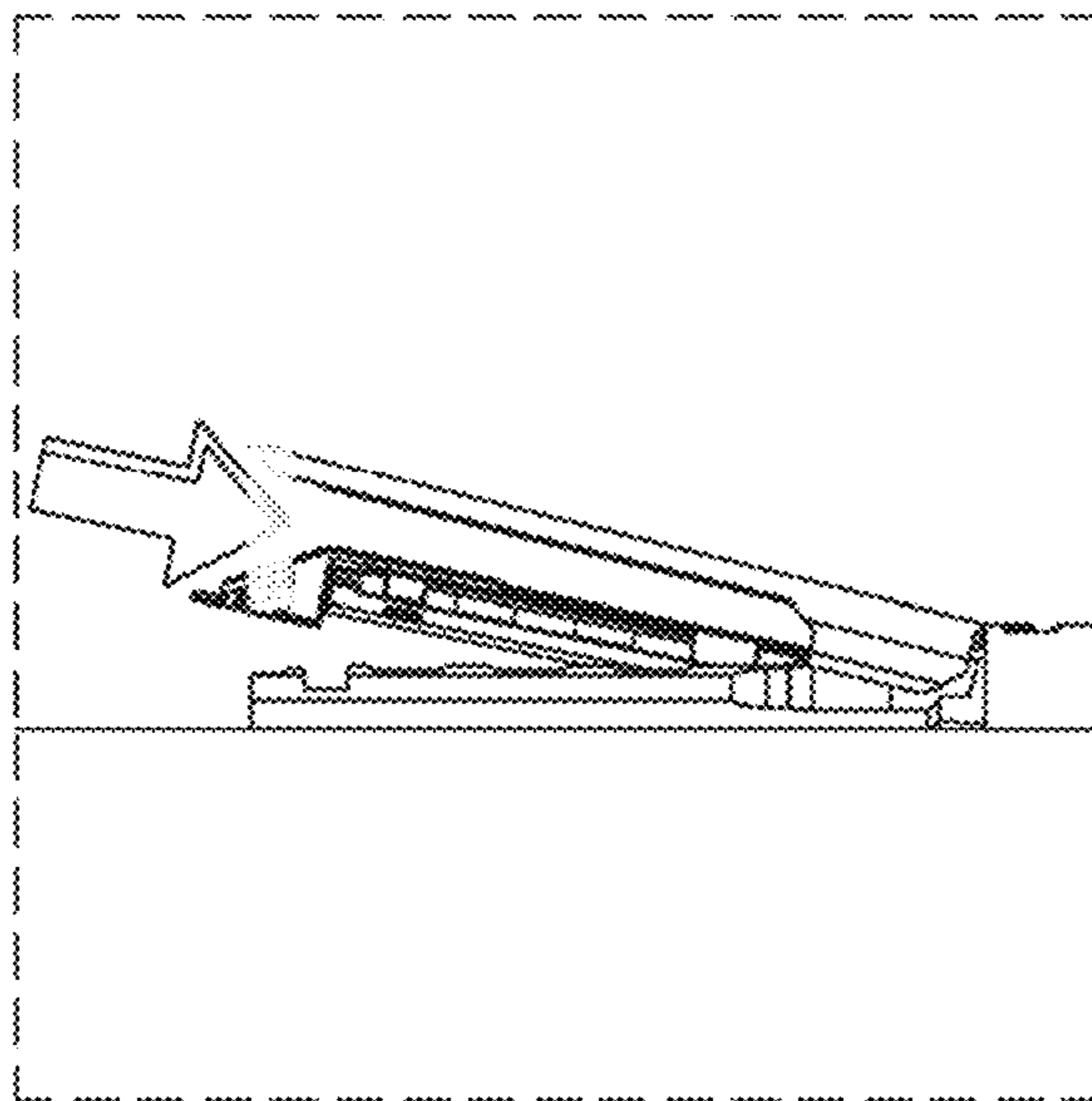


FIG. 6

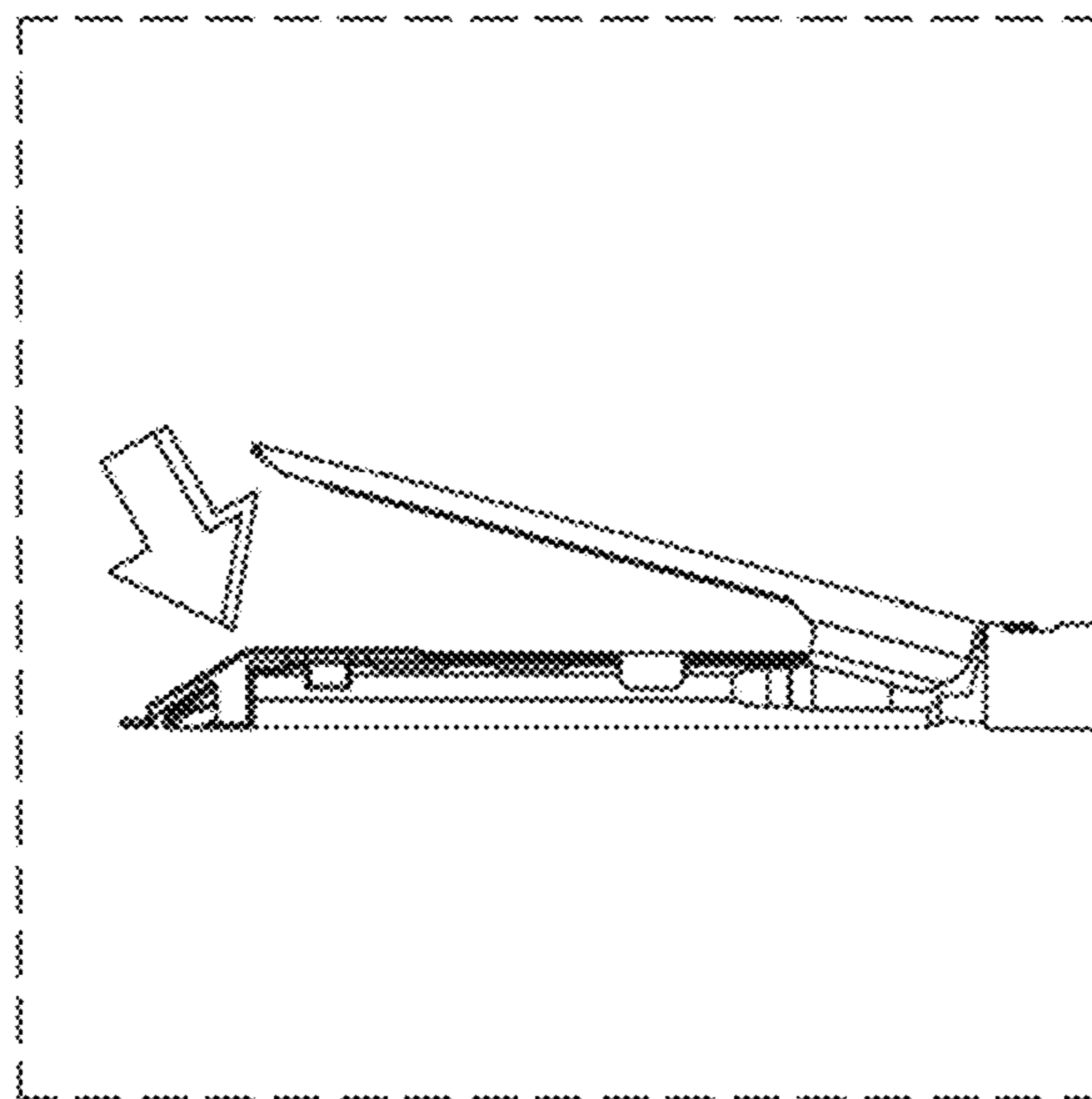


FIG. 7