



US00D971225S

(12) **United States Design Patent**  
**You et al.**

(10) **Patent No.:** **US D971,225 S**  
(45) **Date of Patent:** **\*\* Nov. 29, 2022**

(54) **DISPLAY STAND**

(71) Applicant: **NINGBO TUOTUO RIVER DESIGN COMPANY, Zhejiang (CN)**

(72) Inventors: **Xiaodong You, Ningbo (CN); Danjun Wang, Ningbo (CN)**

(73) Assignee: **NINGBO TUOTUO RIVER DESIGN COMPANY, Zhejiang (CN)**

(\*\*) Term: **15 Years**

(21) Appl. No.: **29/747,769**

(22) Filed: **Aug. 25, 2020**

(51) **LOC (13) Cl.** ..... **14-02**

(52) **U.S. Cl.**  
USPC ..... **D14/451**

(58) **Field of Classification Search**  
USPC ..... D6/300-303, 308, 310, 311, 312-314;  
D14/209.1, 251, 335, 376, 377, 447, 448,  
D14/451; D19/113, 114; D20/10, 27, 42  
CPC ..... A47B 97/04; A47B 97/08; A47G 1/06;  
A47G 1/0638; A47G 1/14; A47G 1/141;  
G09F 1/12; G09F 7/18; F16M 11/22;  
F16M 11/24; H05K 5/0204

See application file for complete search history.

(56) **References Cited**

**U.S. PATENT DOCUMENTS**

D273,828 S *	5/1984	Oshry .....	D6/312
D295,814 S *	5/1988	Chang .....	D6/682
D307,604 S *	5/1990	Banniza .....	D20/10
D543,382 S *	5/2007	Glassenberg .....	D6/682.2
D553,366 S *	10/2007	Stengel .....	D6/312
D671,170 S *	11/2012	Udagawa .....	D19/114
D673,217 S *	12/2012	Kong .....	D19/113
D864,296 S *	10/2019	Park .....	D19/113
D884,697 S *	5/2020	Park .....	D14/375
D914,654 S *	3/2021	Pei .....	D14/239

D926,878 S *	8/2021	Pereira .....	D19/113
D948,489 S *	4/2022	van Til .....	D14/239
11,460,147 B2 *	10/2022	You .....	F16M 11/22
2022/0065390 A1 *	3/2022	You .....	H04R 1/028

**FOREIGN PATENT DOCUMENTS**

CN	306382872	*	3/2021
CN	306738752	*	8/2021

**OTHER PUBLICATIONS**

Mobile Interactive Display Floor Stand [online], [site visited Aug. 25, 2022]. Available from internet, URL:<<https://www.lumi.cn/en/lumi-pro/digital-signage-display-mount/interactive-display-mount/ttv13-46tw>> (Year: 2022).\*

\* cited by examiner

*Primary Examiner* — Cynthia Ramirez

*Assistant Examiner* — Xavier Marti-Santos

(74) *Attorney, Agent, or Firm* — Knobbe Martens Olson & Bear LLP

(57) **CLAIM**

The ornamental design for a display stand, as shown and described.

**DESCRIPTION**

FIG. 1 is a front perspective view of the display stand embodying the new design;

FIG. 2 is a back perspective view of thereof;

FIG. 3 is a front view thereof;

FIG. 4 is a back view thereof;

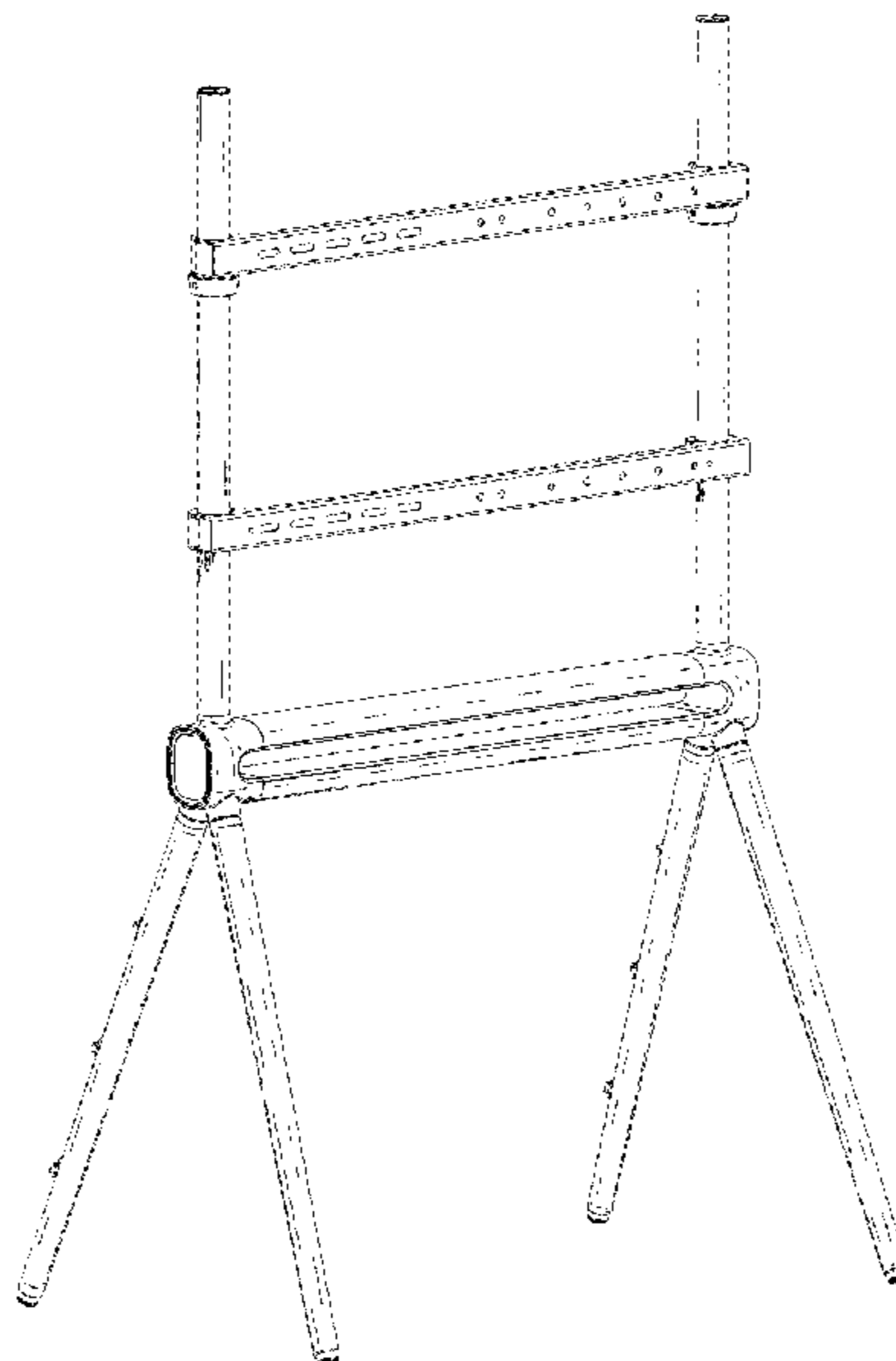
FIG. 5 is a left side view thereof;

FIG. 6 is a right side view thereof;

FIG. 7 is a top view thereof; and,

FIG. 8 is a bottom view thereof.

**1 Claim, 8 Drawing Sheets**



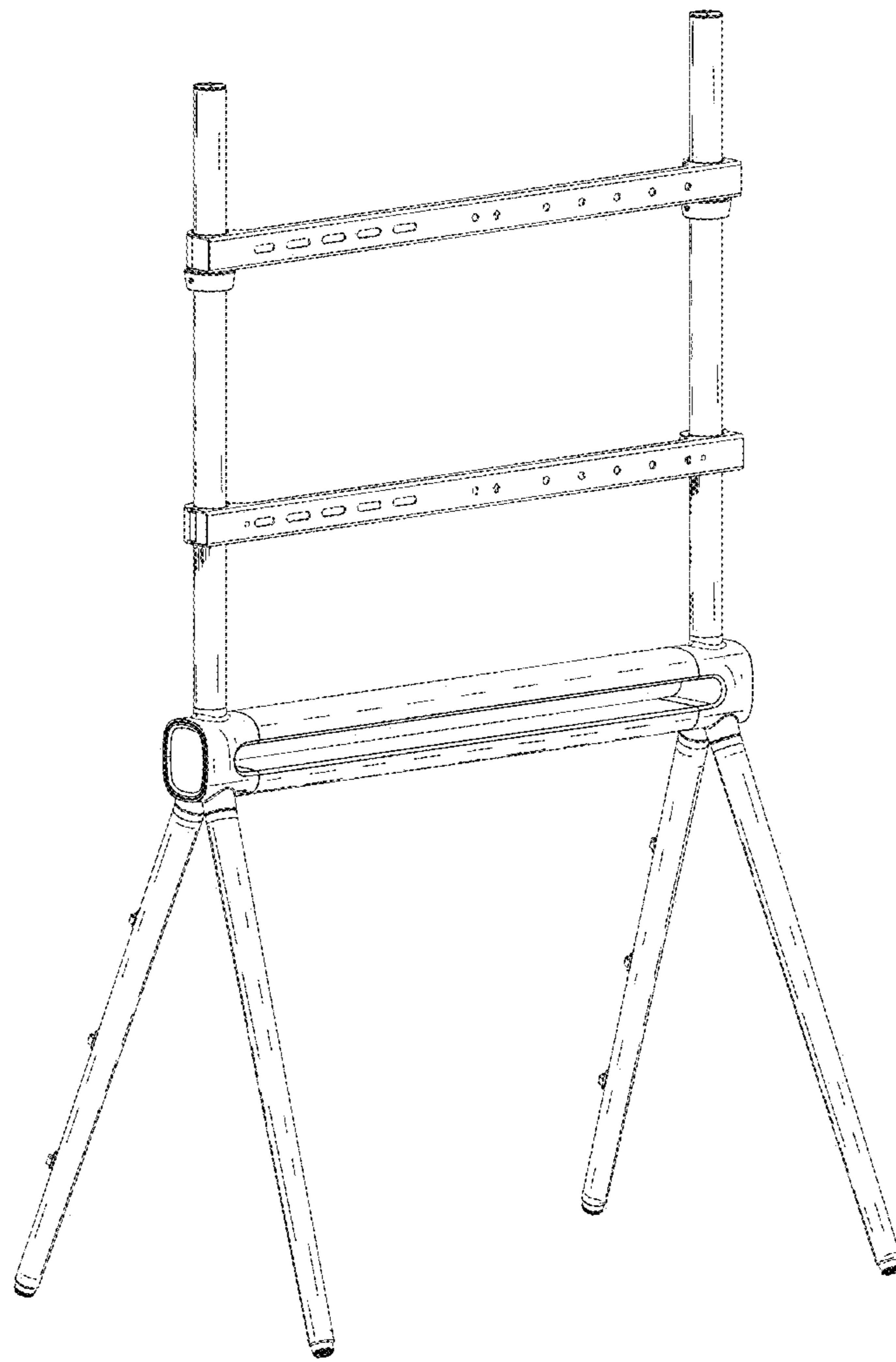


Fig. 1

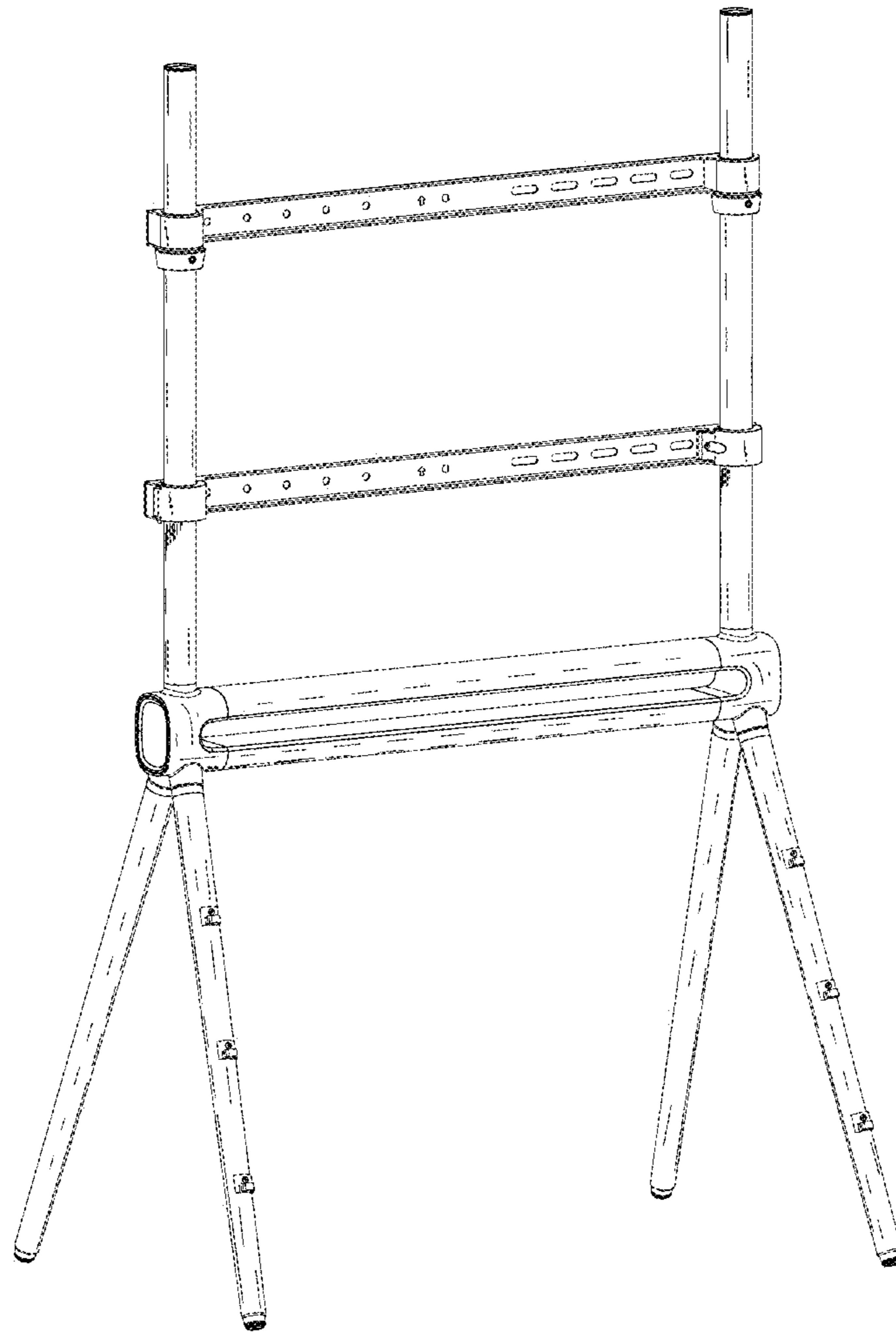


Fig. 2

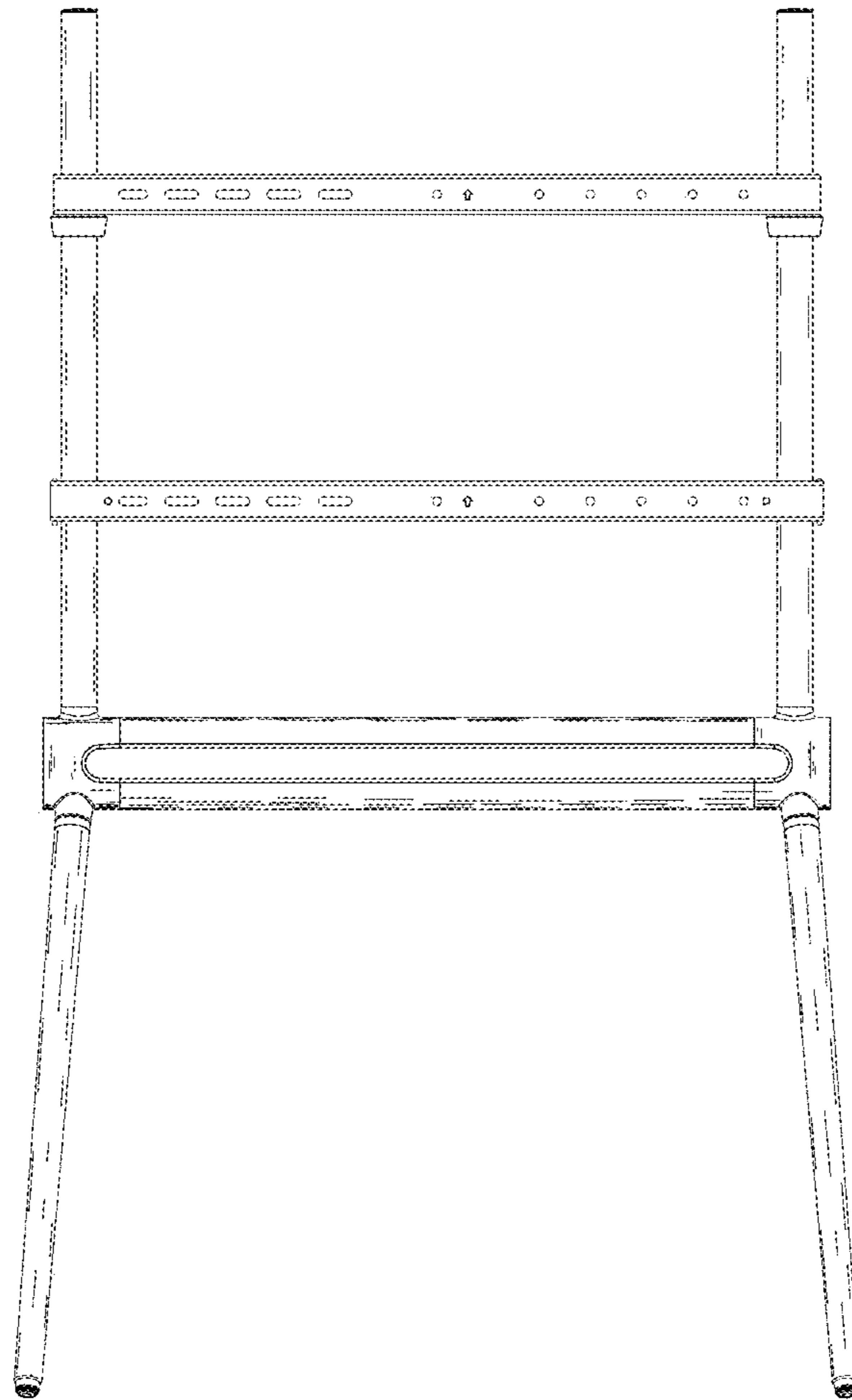


Fig. 3

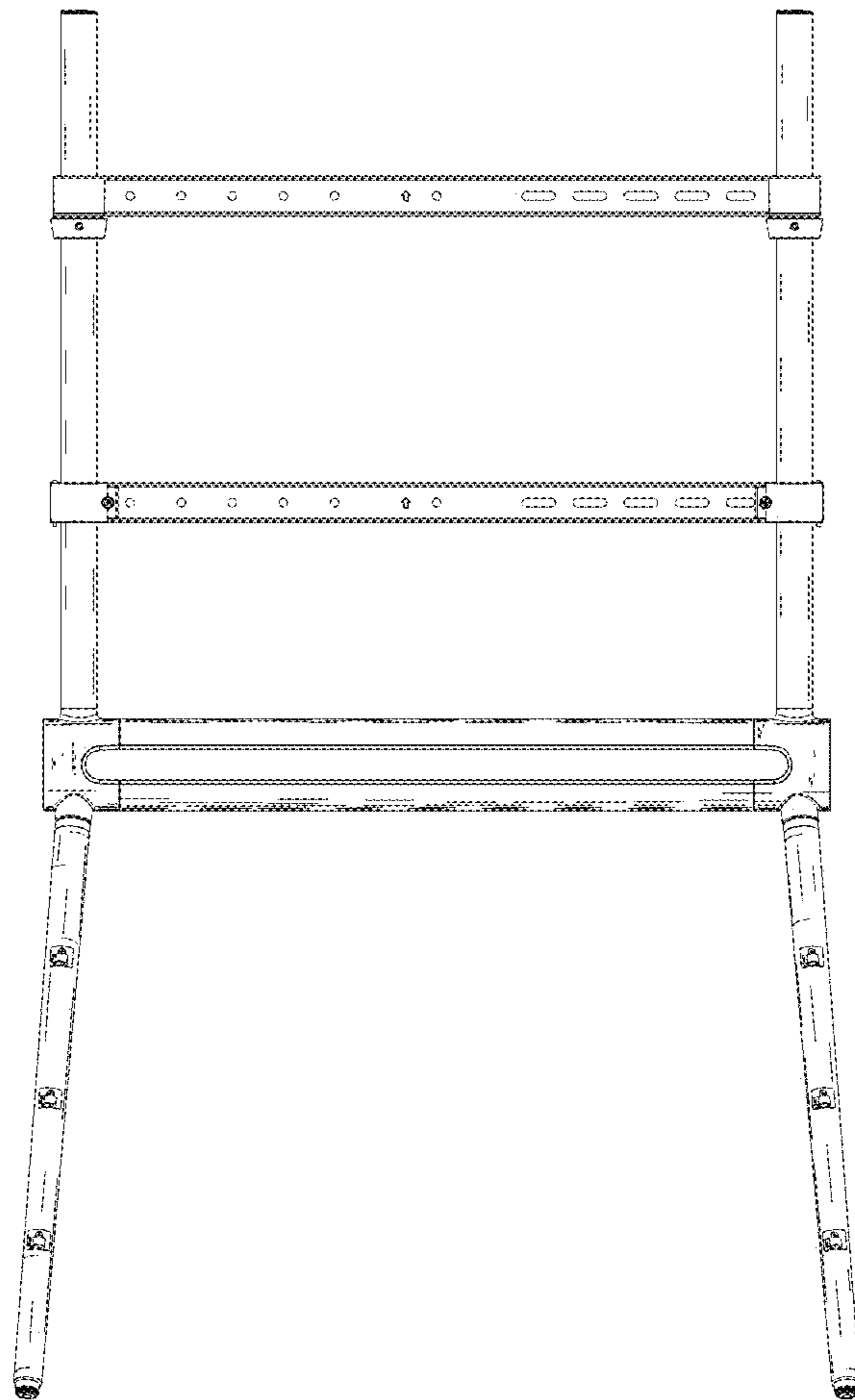


Fig. 4

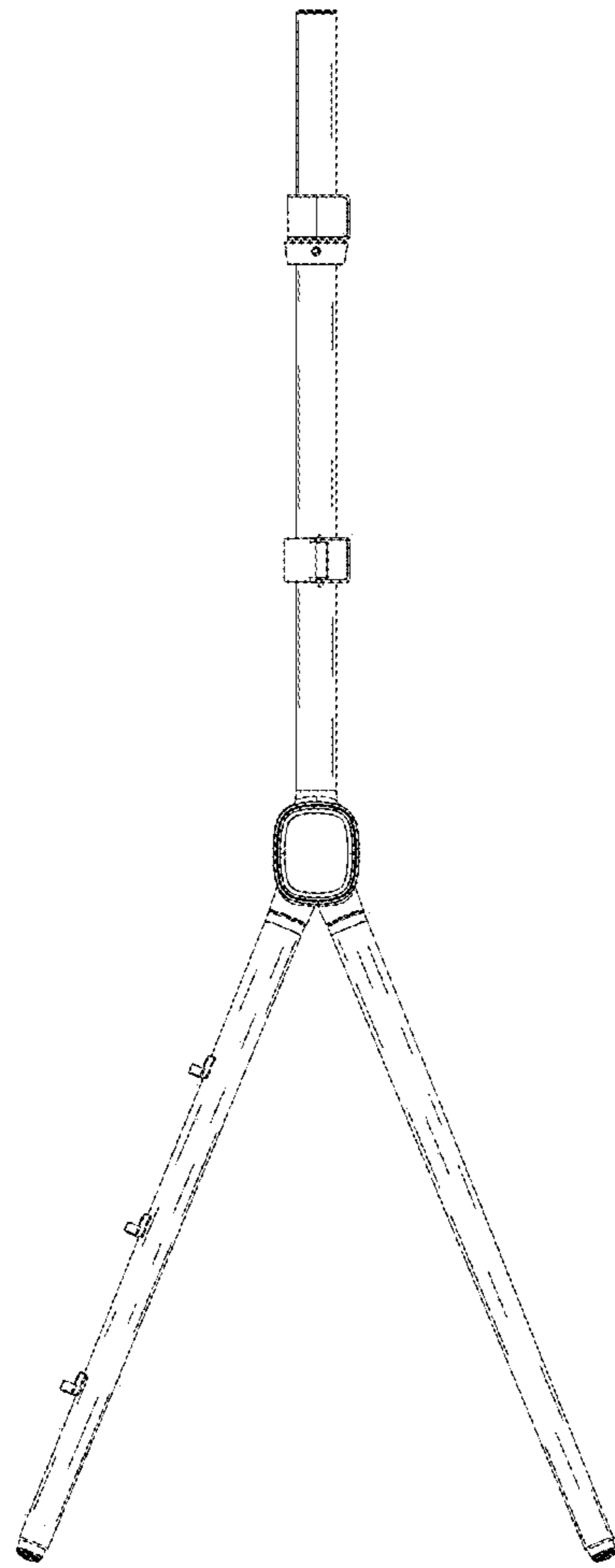


Fig. 5

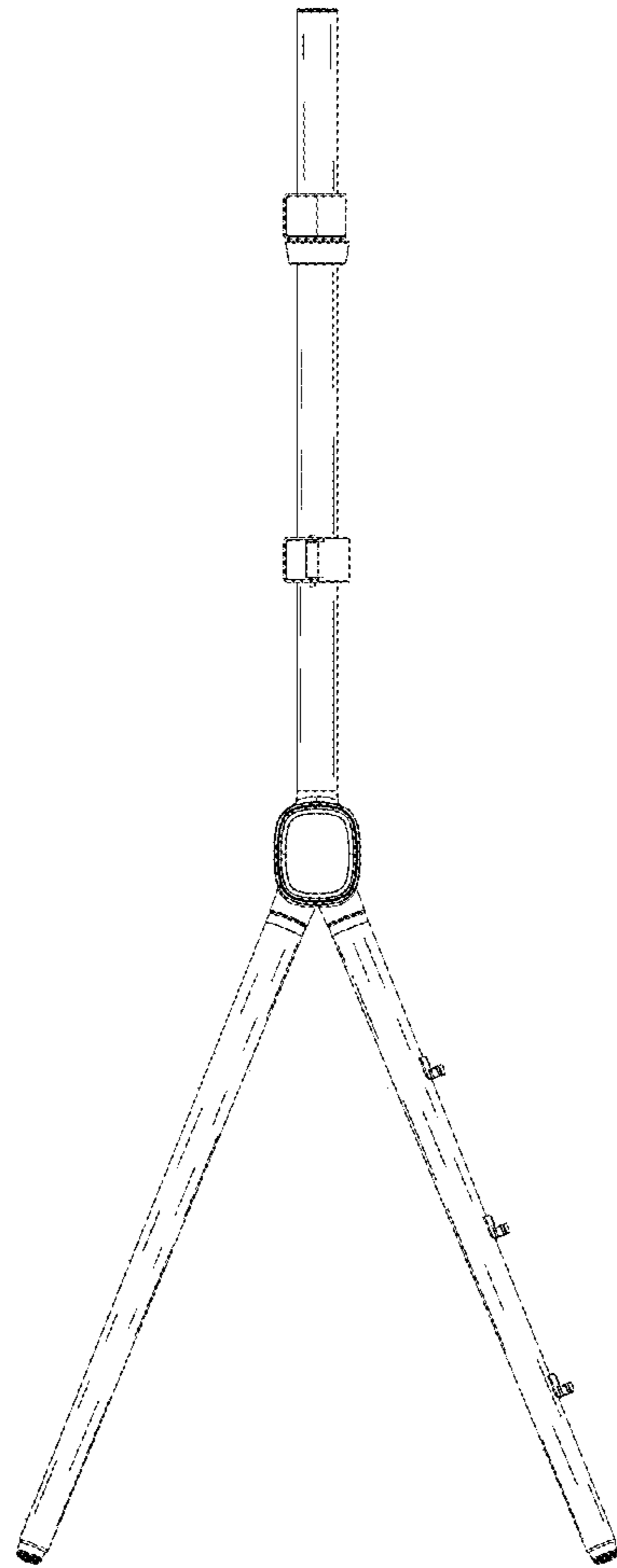


Fig. 6

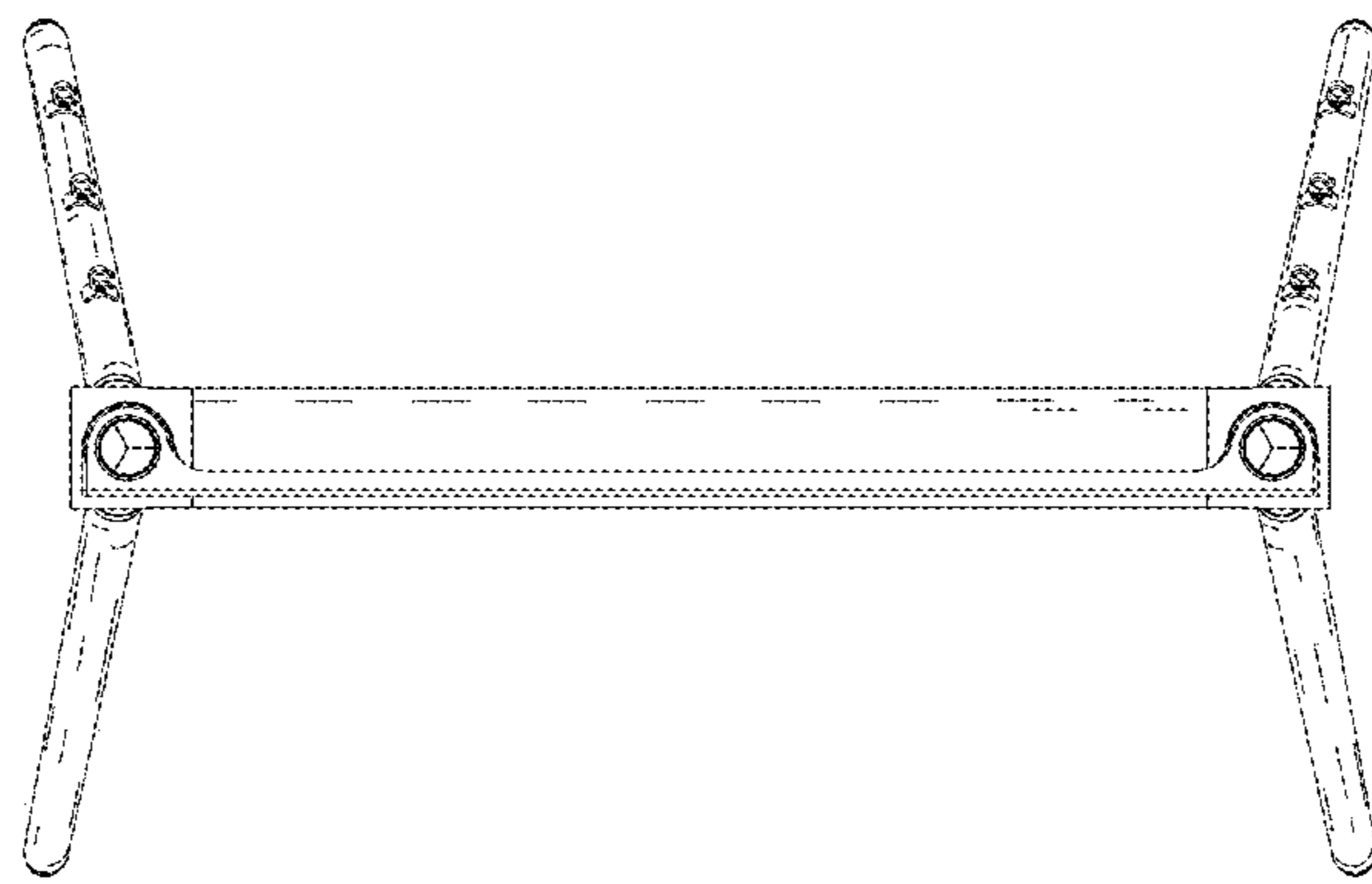


Fig. 7



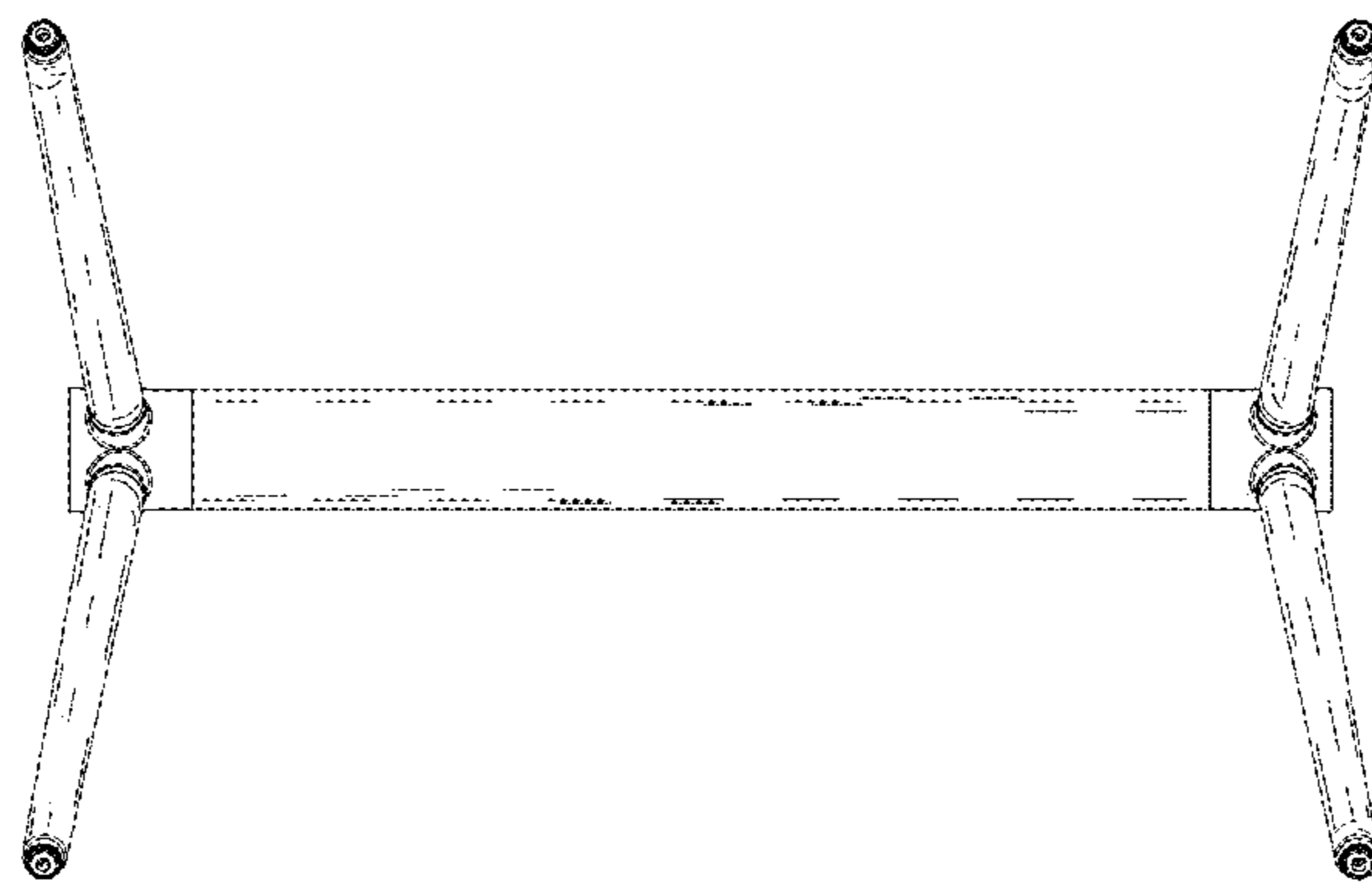


Fig. 8