



US00D971224S

(12) **United States Design Patent** (10) **Patent No.:** **US D971,224 S**  
**Yang** (45) **Date of Patent:** **\*\* Nov. 29, 2022**

(54) **TABLET STAND**  
(71) Applicant: **SHENZHEN LICHUANG  
TIANCHENG TECHNOLOGY CO.,  
LTD.**, Shenzhen (CN)  
(72) Inventor: **Li Yang**, Shenzhen (CN)  
(73) Assignee: **SHENZHEN LICHUANG  
TIANCHENG TECHNOLOGY CO.,  
LTD.**, Shenzhen (CN)  
(\*\*) Term: **15 Years**  
(21) Appl. No.: **29/810,929**  
(22) Filed: **Oct. 9, 2021**  
(51) **LOC (13) Cl.** ..... **14-02**  
(52) **U.S. Cl.**  
USPC ..... **D14/447**  
(58) **Field of Classification Search**  
USPC ..... D14/251, 252, 253, 432, 433, 434, 440,  
D14/447, 451, 452, 457; D6/300, 309,  
D6/312, 406.3, 406.4, 406.5, 406.6, 655,  
D6/656; D19/91, 113; D13/107, 108  
CPC ..... A47B 2023/049; A47B 2097/006; A47B  
23/04; A47B 23/043; A47B 23/044  
See application file for complete search history.

D930,641 S \* 9/2021 Zhou ..... D14/447  
D936,662 S \* 11/2021 Gao ..... D14/447  
D940,147 S \* 1/2022 Yang ..... D14/447  
D952,644 S \* 5/2022 Lee ..... D14/447  
D955,397 S \* 6/2022 Huang ..... D14/447

**OTHER PUBLICATIONS**

Amazon.com Ilano iPad Magnetic Stand, first available Jun. 8, 2022 [online], retrieved Jul. 27, 2022, available at URL: <https://a.co/d/3GQ6R2z> (Year: 2022).\*  
Amazon.com Magfit iPad Magnetic Stand Holder, first available Jul. 19, 2021 [online], retrieved Jul. 27, 2022, available at URL: <https://a.co/d/ajaANMn> (Year: 2021).\*

\* cited by examiner

*Primary Examiner* — Wendy L Arminio  
*Assistant Examiner* — Carrie S Gelula

(57) **CLAIM**

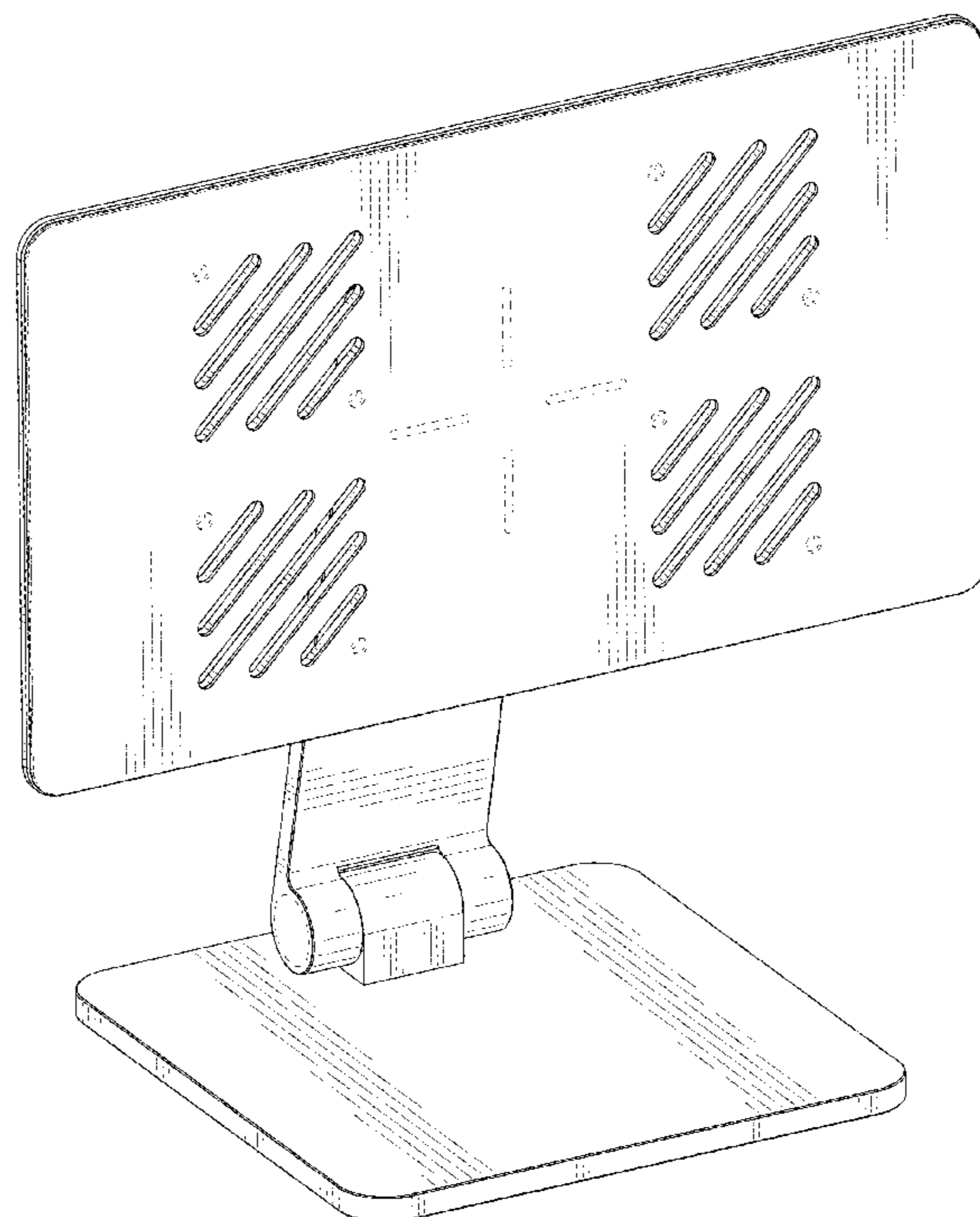
The ornamental design for a tablet stand, as shown and described.

**DESCRIPTION**

FIG. 1 is a perspective view of a tablet stand showing my new design;  
FIG. 2 is another perspective view thereof;  
FIG. 3 is a front elevational view thereof;  
FIG. 4 is a rear elevational view thereof;  
FIG. 5 is a left side elevational view thereof;  
FIG. 6 is a right side elevational view thereof;  
FIG. 7 is a top plan view thereof; and,  
FIG. 8 is a bottom plan view thereof.  
The broken lines in the drawings depict portions of the tablet stand that form no part of the claimed design.

**1 Claim, 8 Drawing Sheets**

(56) **References Cited**  
U.S. PATENT DOCUMENTS  
D480,088 S 9/2003 Bakker et al.  
D788,780 S 6/2017 Chen  
D920,332 S \* 5/2021 Du ..... D14/375  
D920,981 S \* 6/2021 Zhang ..... D14/434



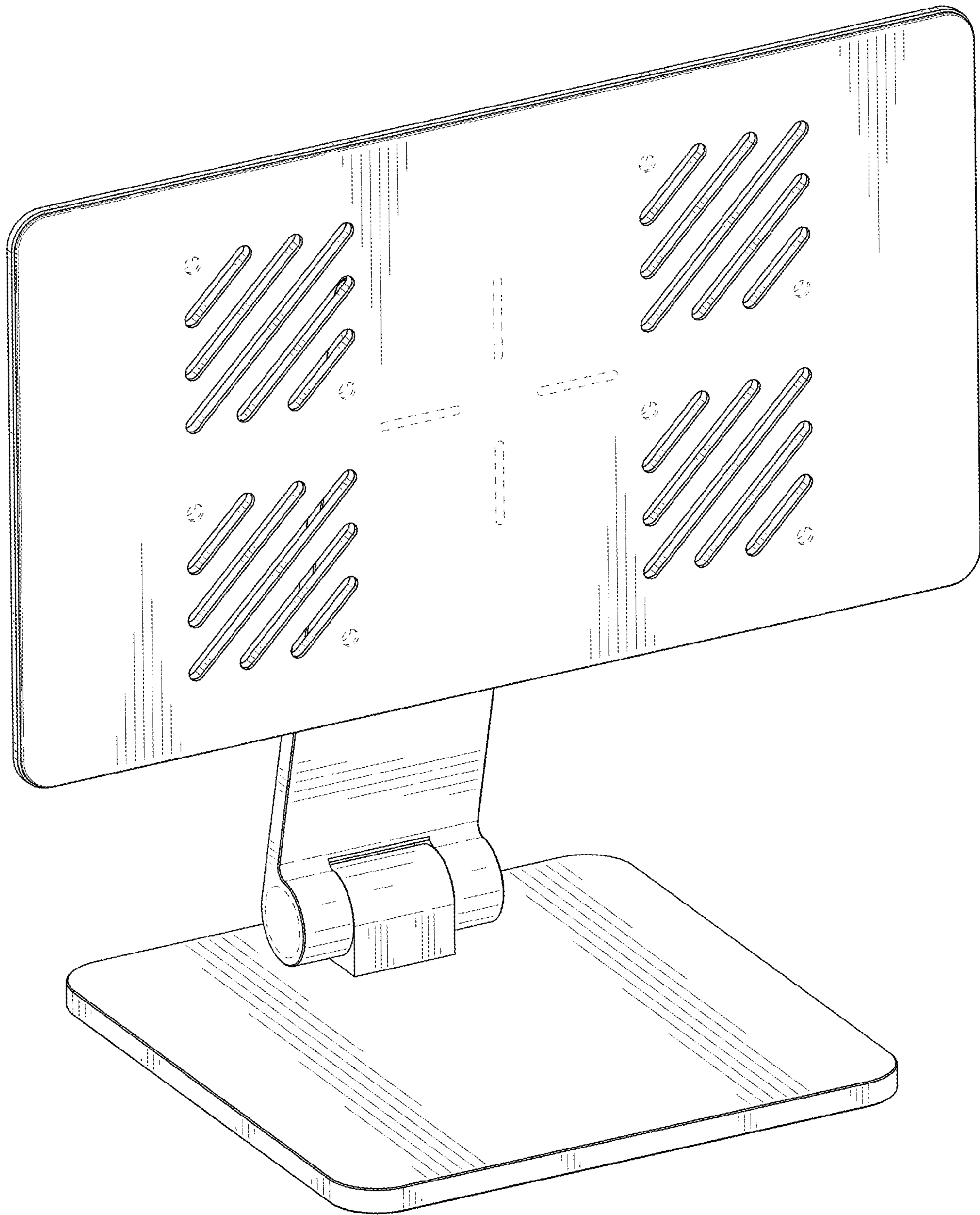


FIG. 1



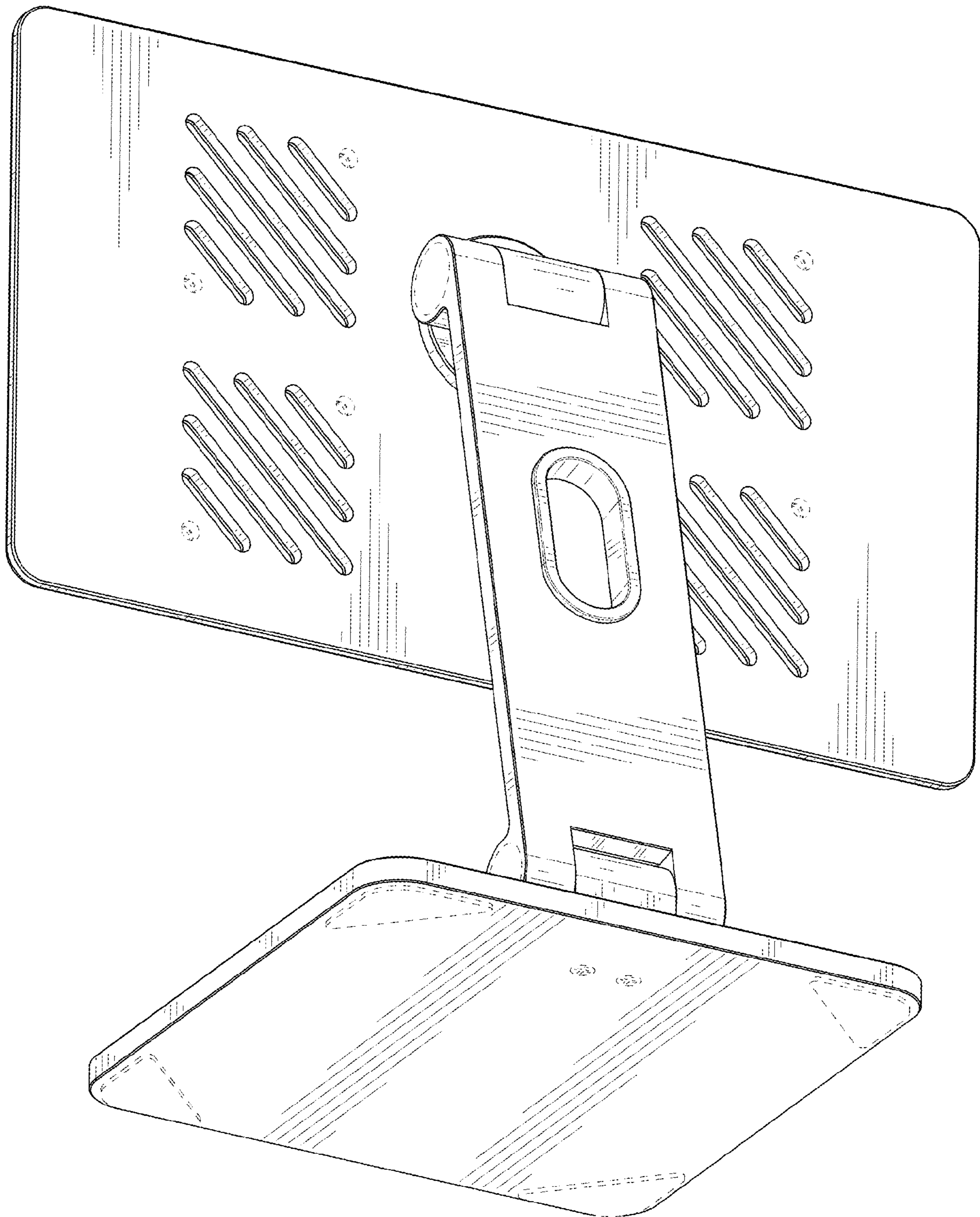


FIG. 2

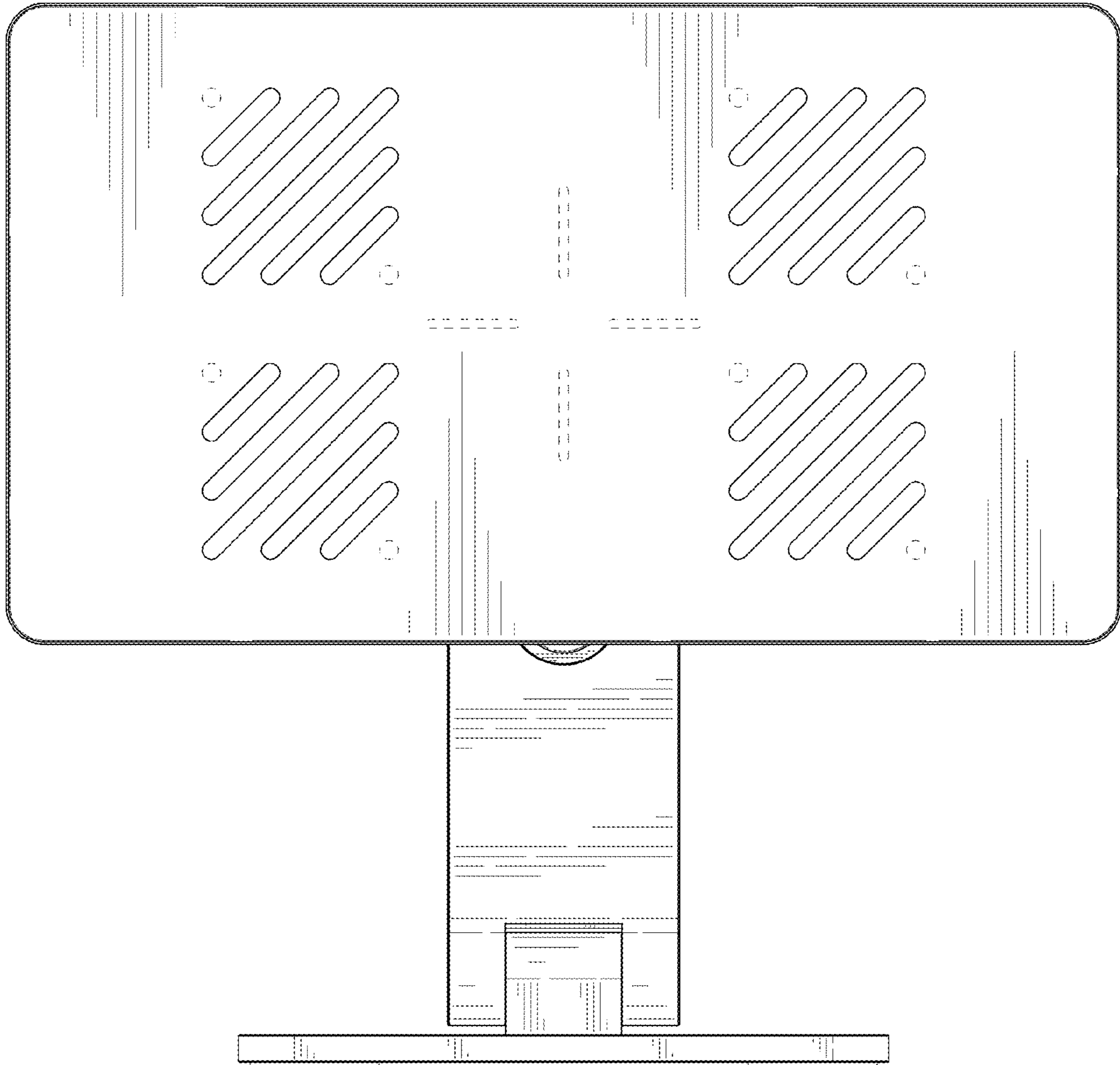


FIG. 3

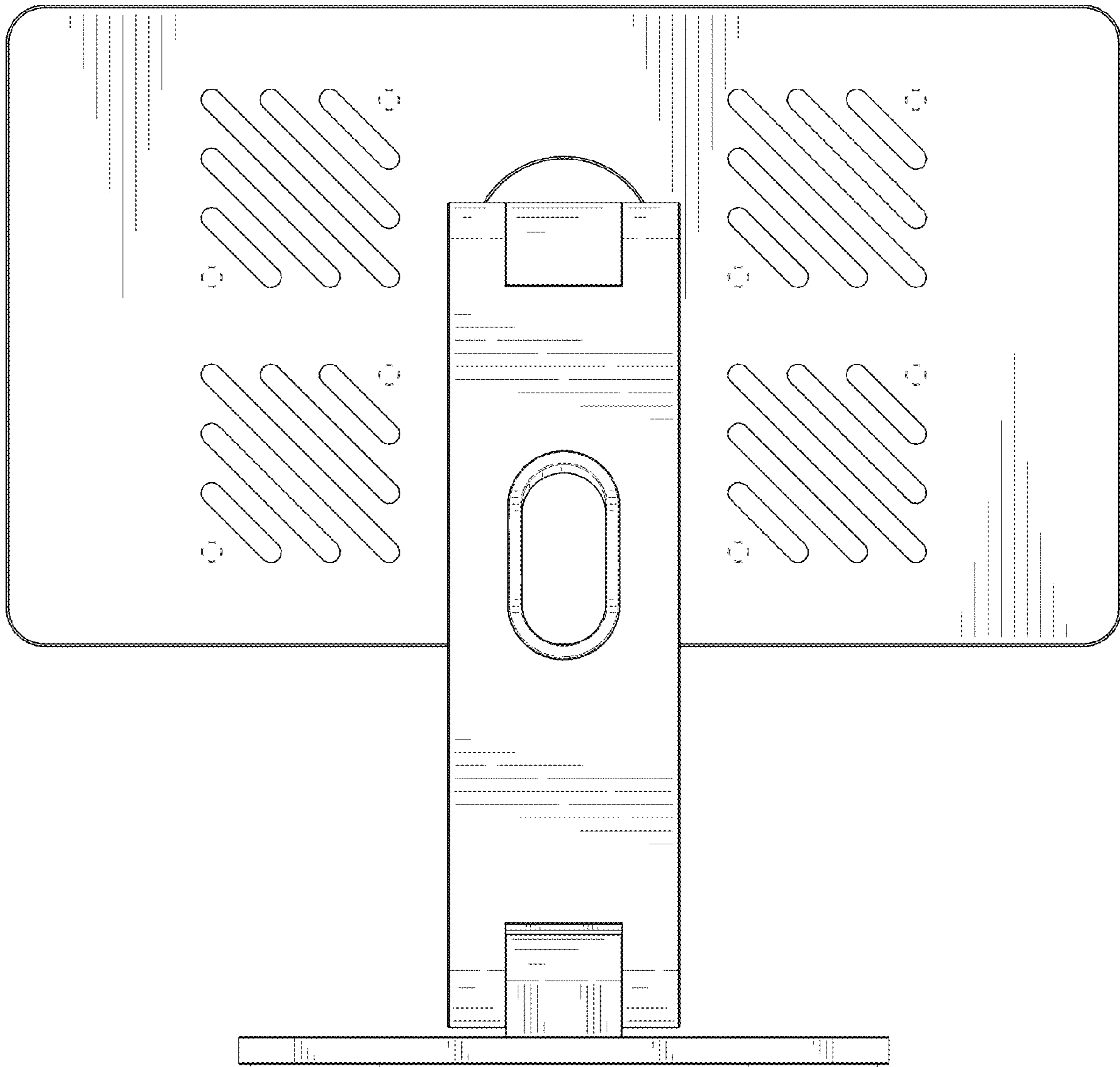


FIG. 4

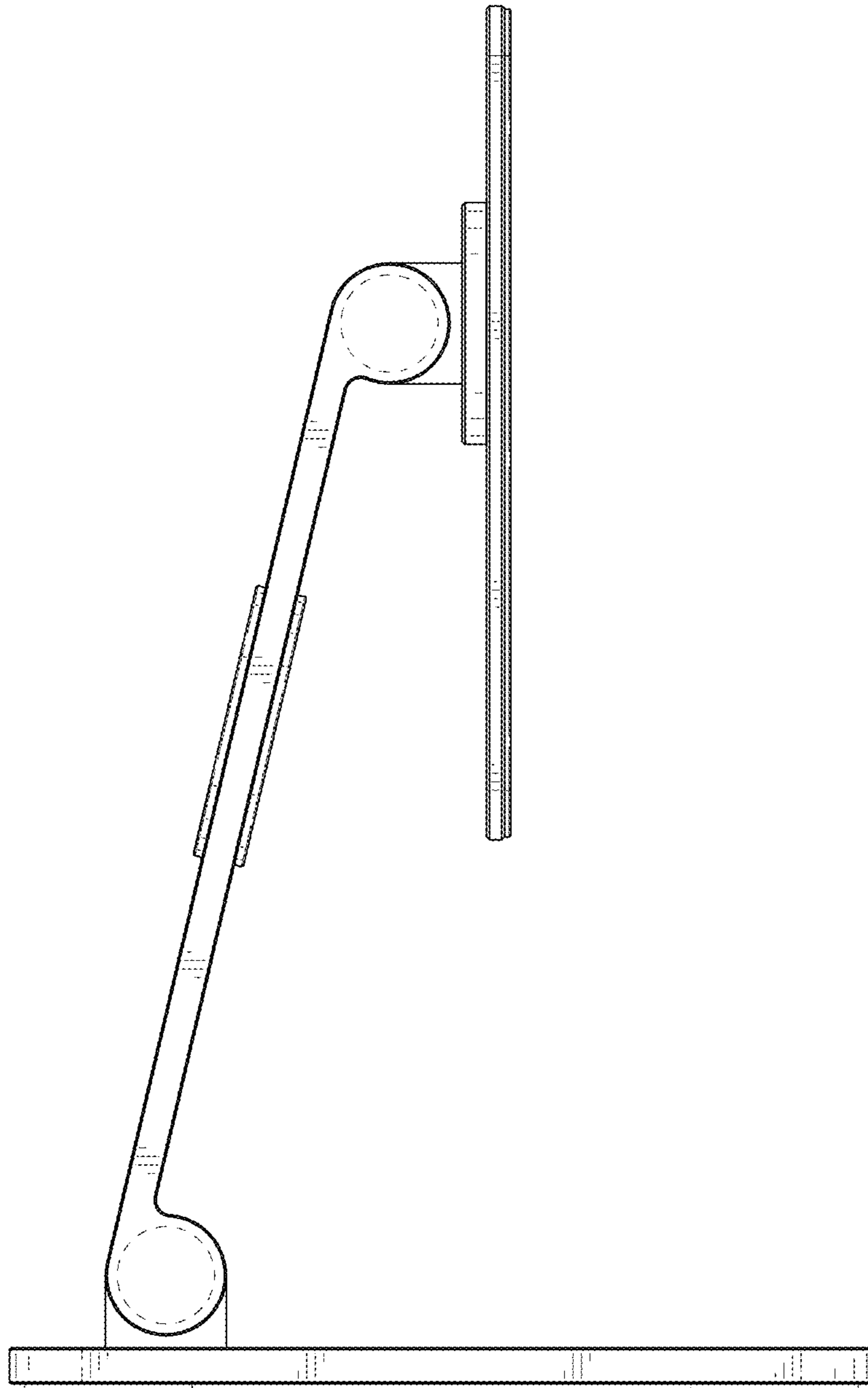


FIG. 5

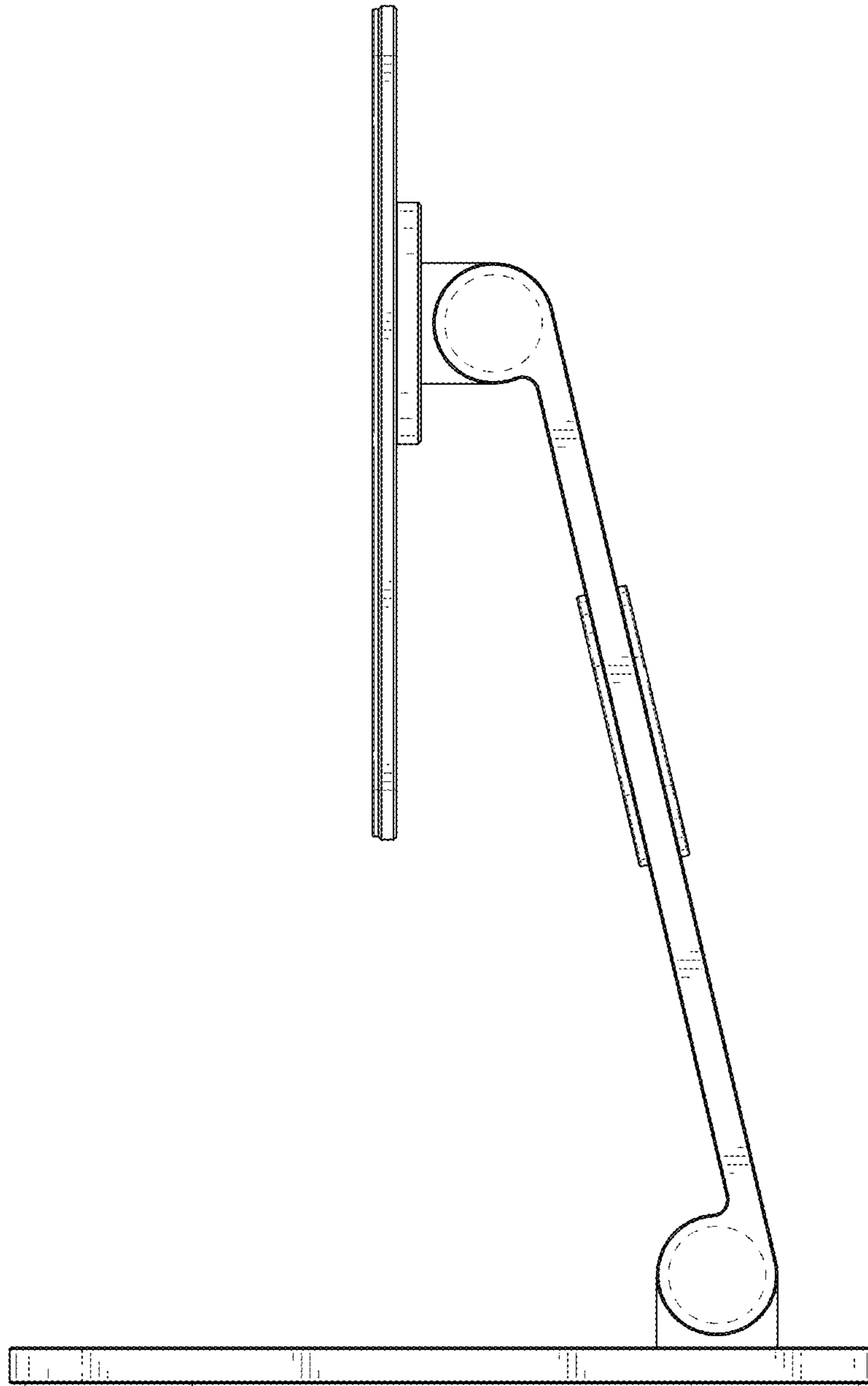


FIG. 6

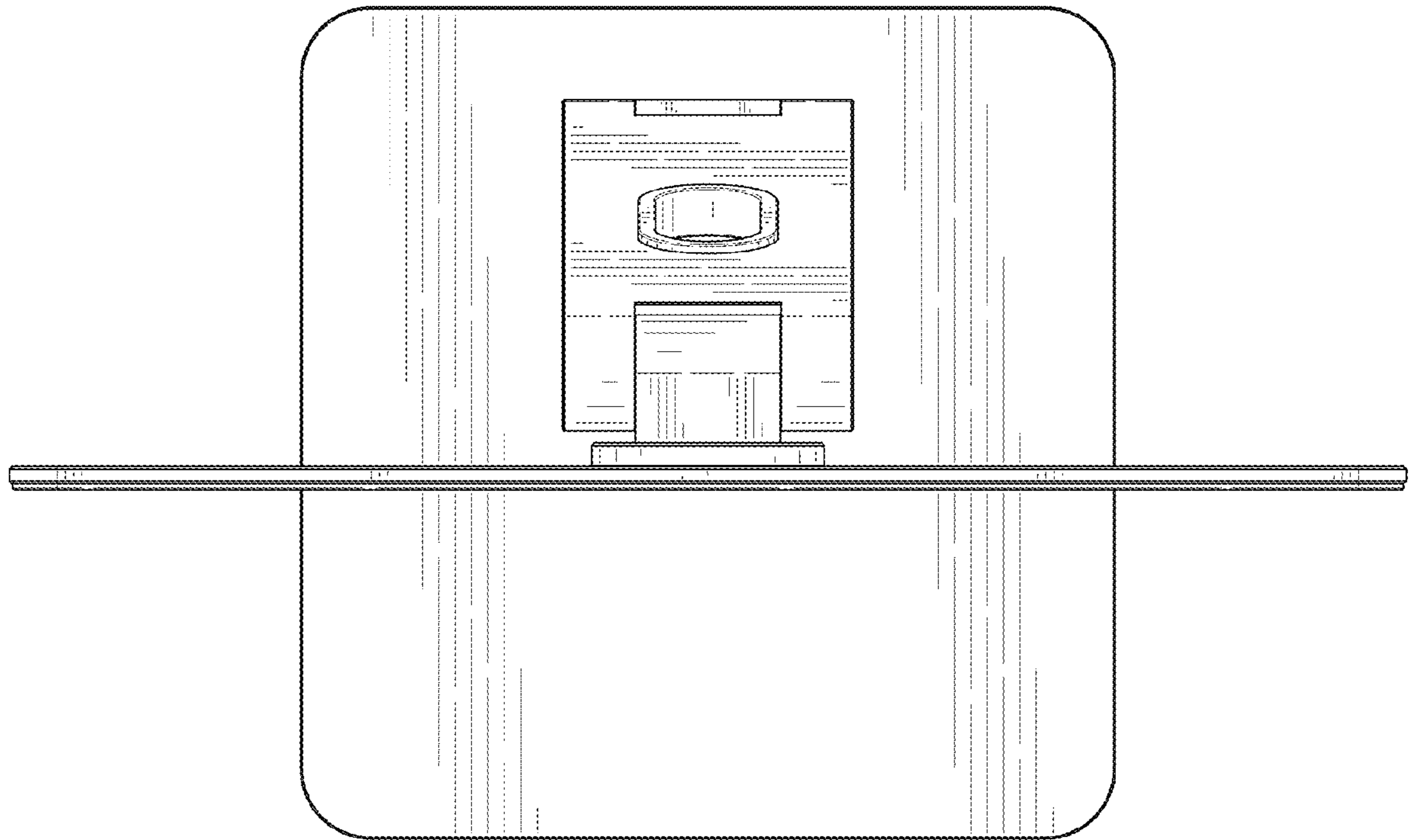


FIG. 7



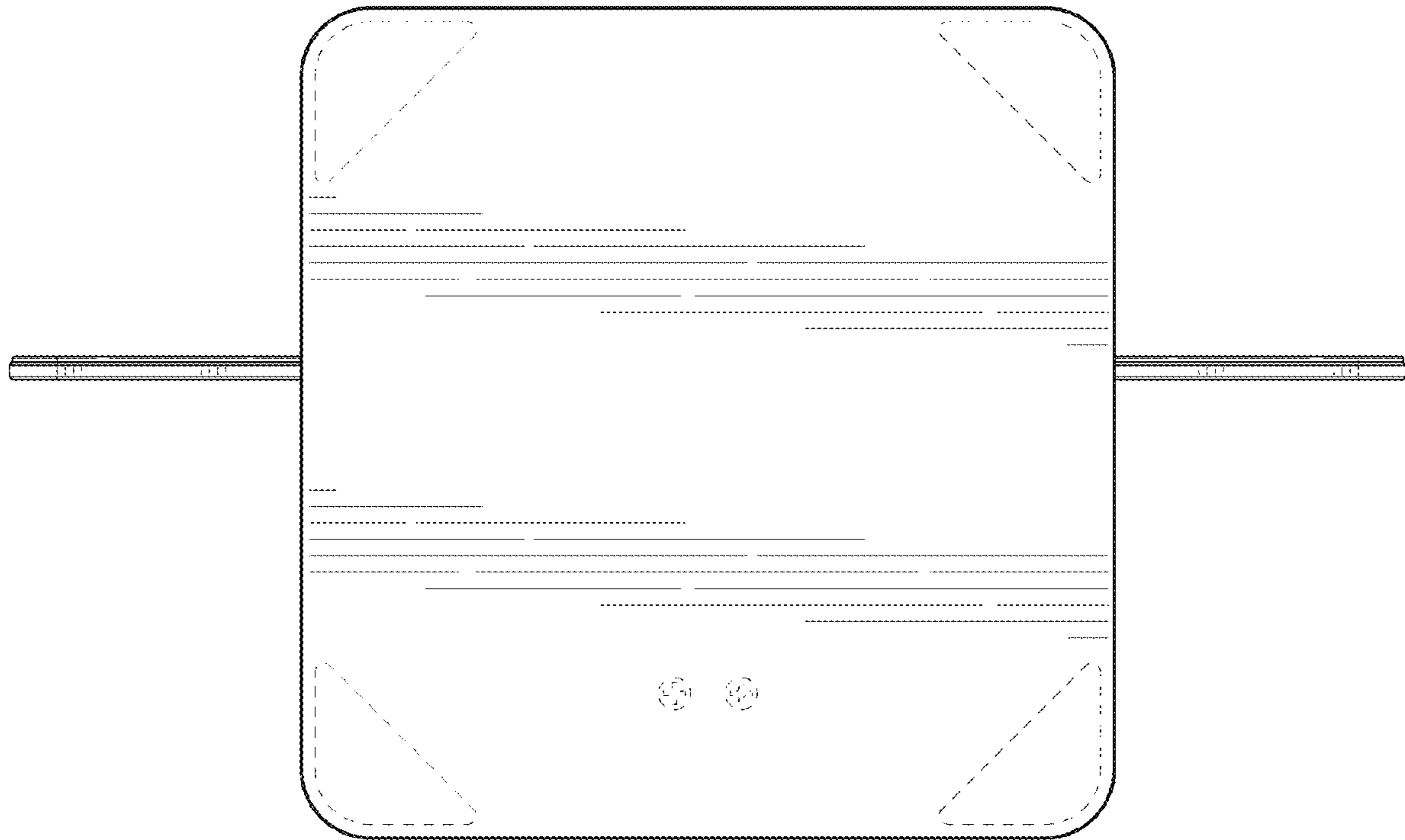


FIG. 8