



US00D971222S

(12) **United States Design Patent** (10) **Patent No.:** **US D971,222 S**
Pan (45) **Date of Patent:** **** Nov. 29, 2022**

(54) **COMPUTER STAND**

D930,641 S * 9/2021 Zhou D14/447
D936,662 S * 11/2021 Gao D14/447
D940,147 S * 1/2022 Yang D14/447

(71) Applicant: **Shicai Pan**, Hubei (CN)

(72) Inventor: **Shicai Pan**, Hubei (CN)

(**) Term: **15 Years**

(21) Appl. No.: **29/780,555**

(22) Filed: **Apr. 26, 2021**

(30) **Foreign Application Priority Data**

Mar. 11, 2021 (EM) 008458152-0002

(51) **LOC (13) Cl.** **14-03**

(52) **U.S. Cl.**
USPC **D14/447**

(58) **Field of Classification Search**
USPC D14/447, 432, 434, 439, 440, 451, 452,
D14/457, 239, 253, 250; D8/363, 373,
D8/380; D6/406.3, 406.4, 406.5, 406.6;
D12/415; D21/333, 332
CPC A47B 21/04; A47B 2097/006; A47B
2097/005; A47B 2023/049; A45C
2011/002; A45C 2011/003; F16M
2200/00; F16M 13/00

See application file for complete search history.

(56) **References Cited**

U.S. PATENT DOCUMENTS

D589,964 S * 4/2009 Heggland D14/434
D596,187 S 7/2009 Martell
D674,805 S * 1/2013 Vincent D14/447
D707,230 S * 6/2014 Castronovo D14/447
D903,689 S * 12/2020 Zheng D14/447
D906,347 S * 12/2020 Yang D14/447
D907,640 S * 1/2021 Huang D14/447
D907,644 S * 1/2021 Li D14/447
D920,338 S * 5/2021 Chen D14/447
D923,632 S * 6/2021 Li D14/447

OTHER PUBLICATIONS

ROTTAY laptop stand, https://www.amazon.com/Ergonomic-Adjustable-Computer-Compatible-MacBook/dp/B091F48XS4/ref=sr_1_209?crd=172YMYGSXR1AZ&keywords=computer%2Bstand&qid=1648497697&sprefix=computer%2Bstand%2Caps%2C98&sr=8-209&th=1, first available Mar. 31, 2021 (Year: 2021).*

* cited by examiner

Primary Examiner — Angela J Lee

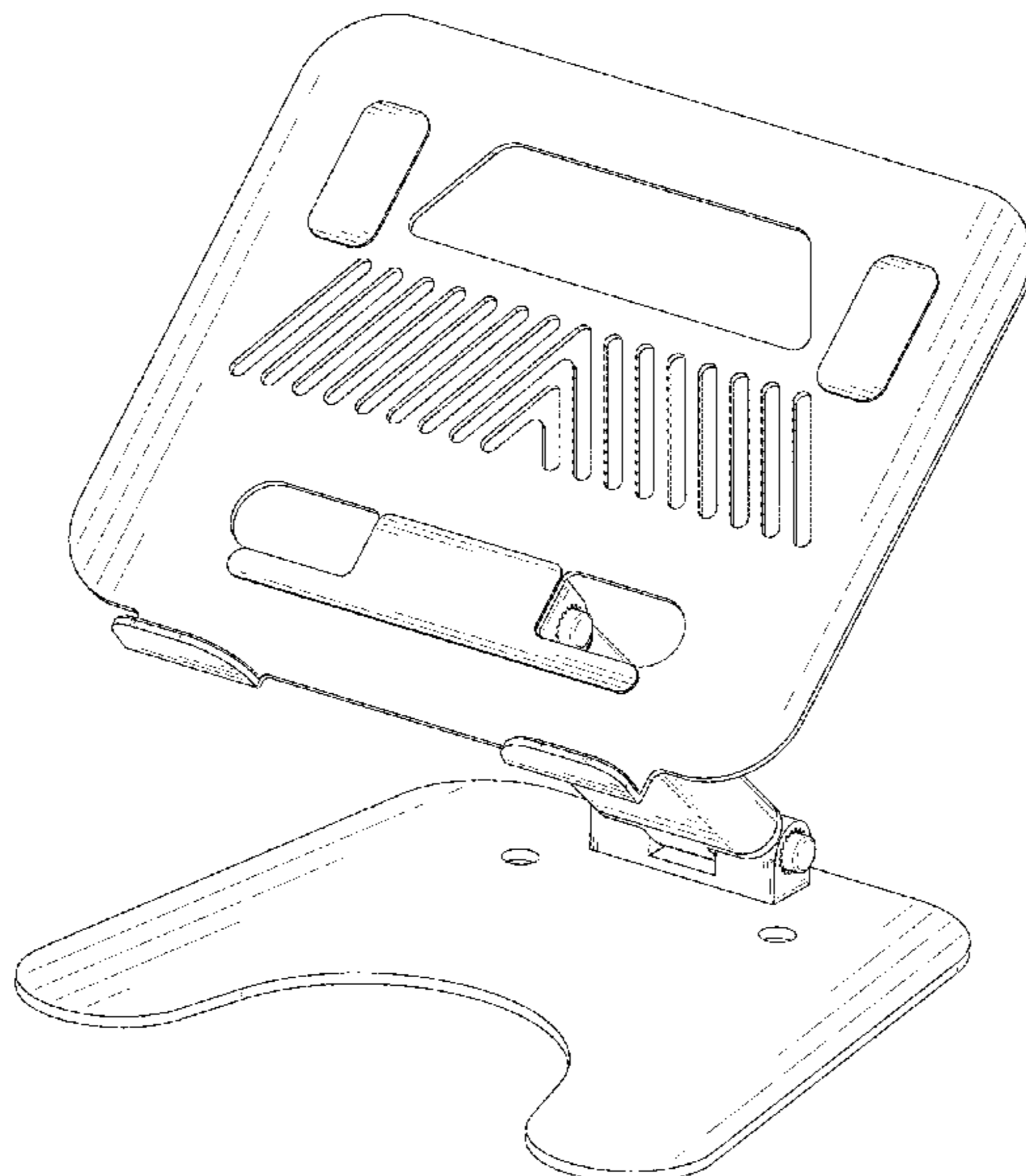
(57) **CLAIM**

The ornamental design for a computer stand, as shown and described.

DESCRIPTION

FIG. 1 is a front and top perspective view of a computer stand, showing my new design;
FIG. 2 is a rear and bottom perspective view thereof;
FIG. 3 is a front elevation view thereof;
FIG. 4 is a rear elevation view thereof;
FIG. 5 is a left side elevation view thereof;
FIG. 6 is a right side elevation view thereof;
FIG. 7 is a top plan view thereof;
FIG. 8 is a bottom plan view thereof;
FIG. 9 is another perspective view thereof, shown in an alternative position; and,
FIG. 10 is another perspective view thereof, shown in an alternative position.
The broken lines in the figures illustrate portions of the computer stand that form no part of the claimed design.

1 Claim, 10 Drawing Sheets



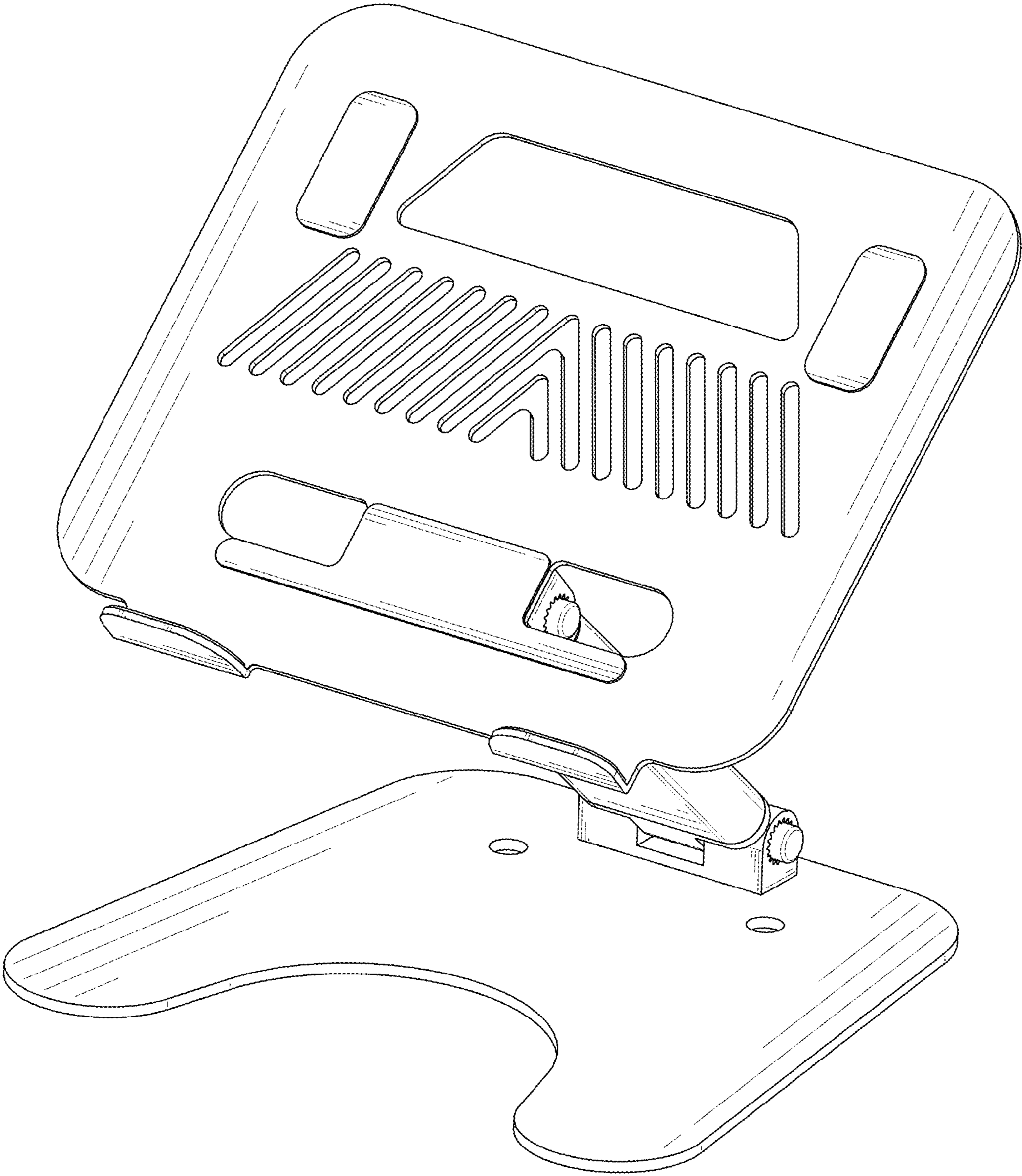


FIG. 1

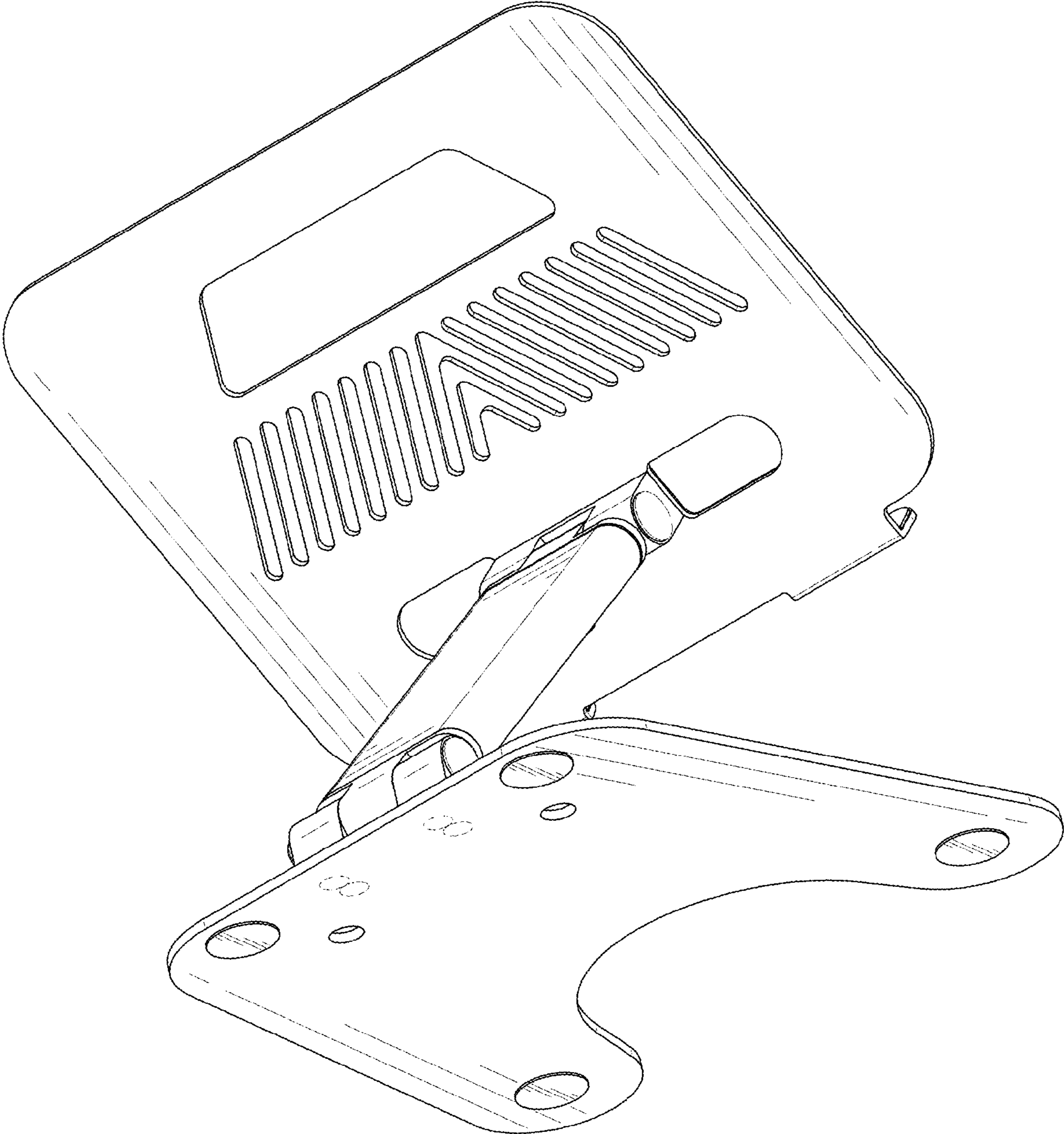


FIG. 2

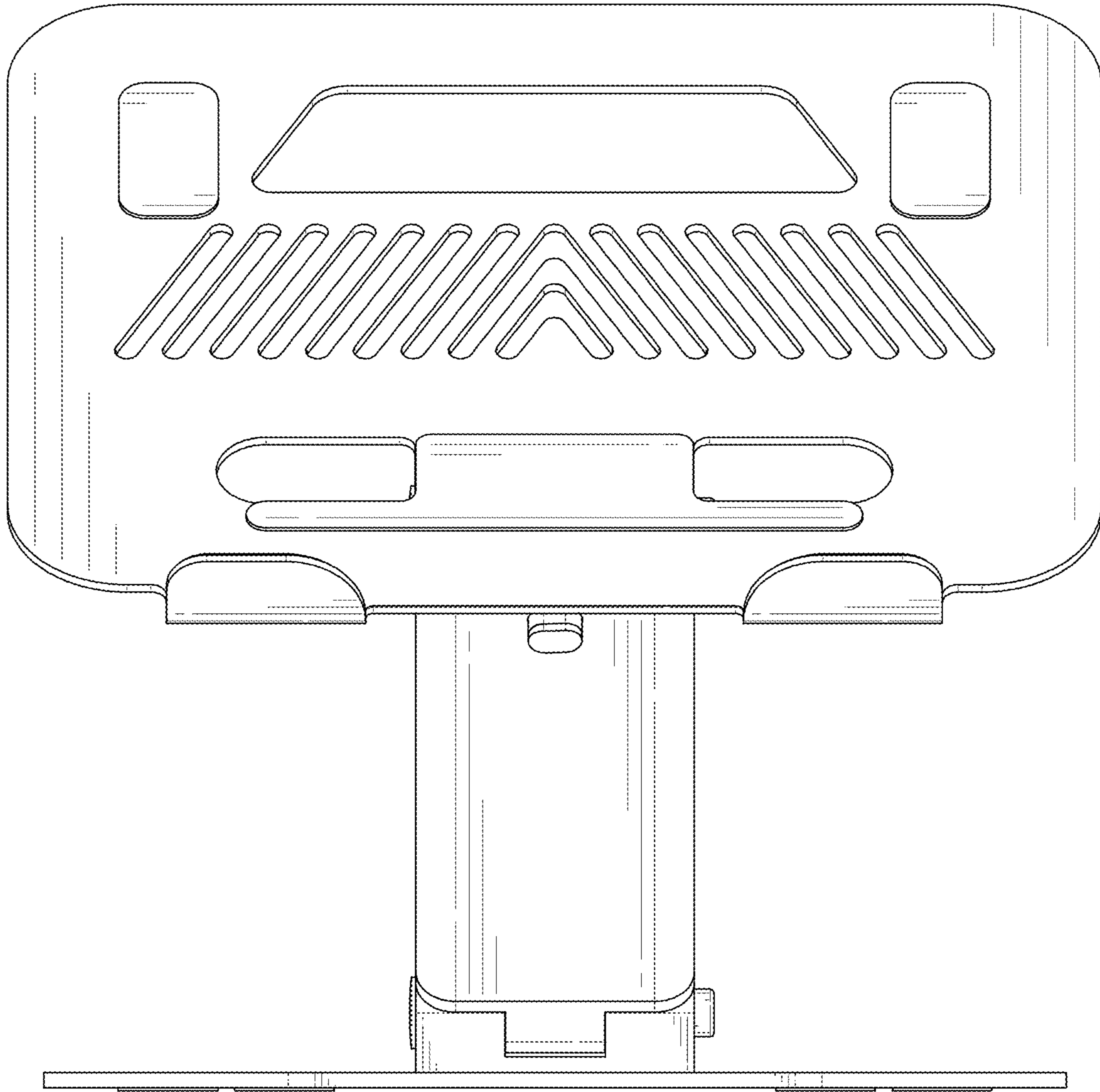


FIG. 3

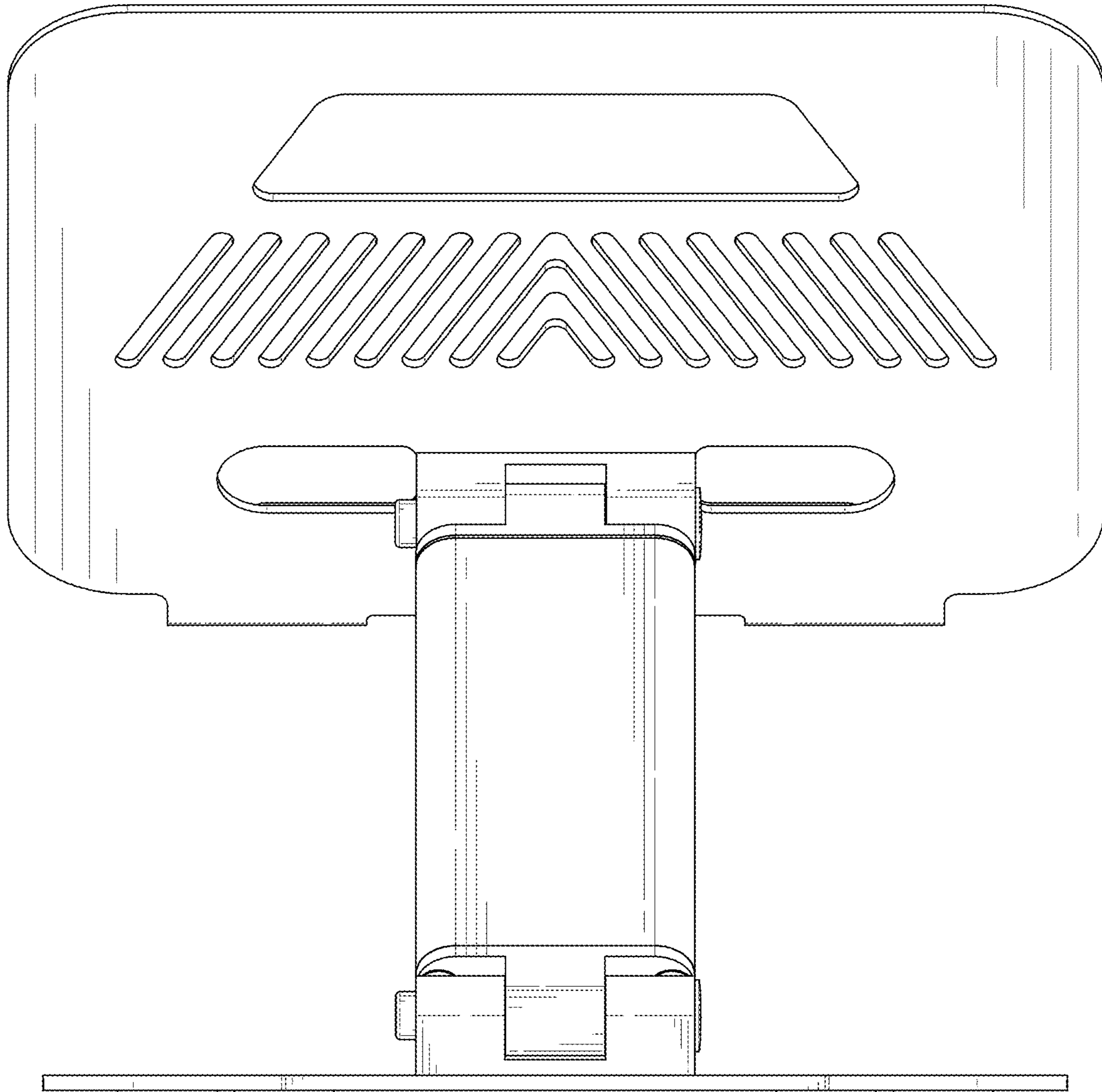


FIG. 4

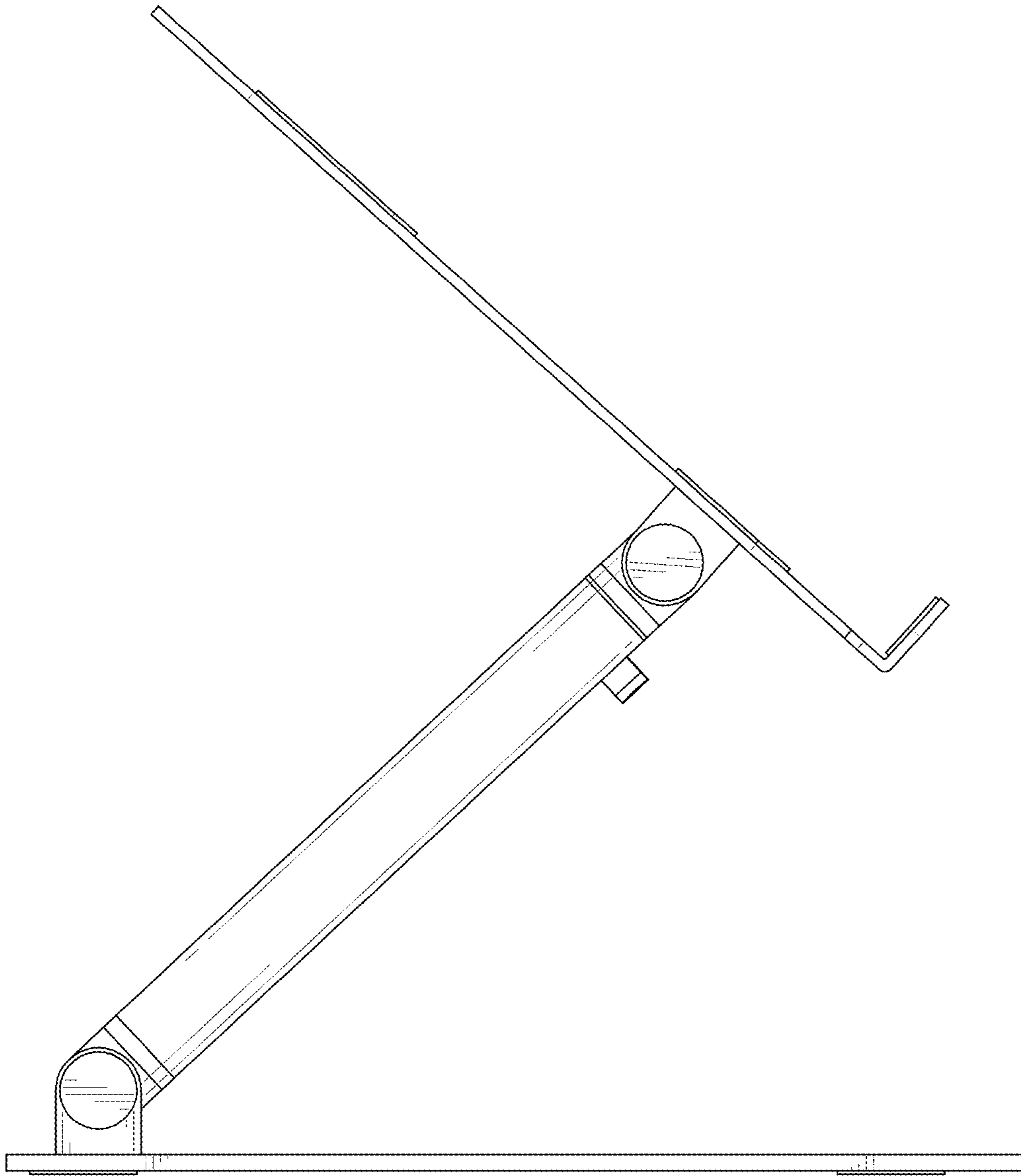


FIG. 5

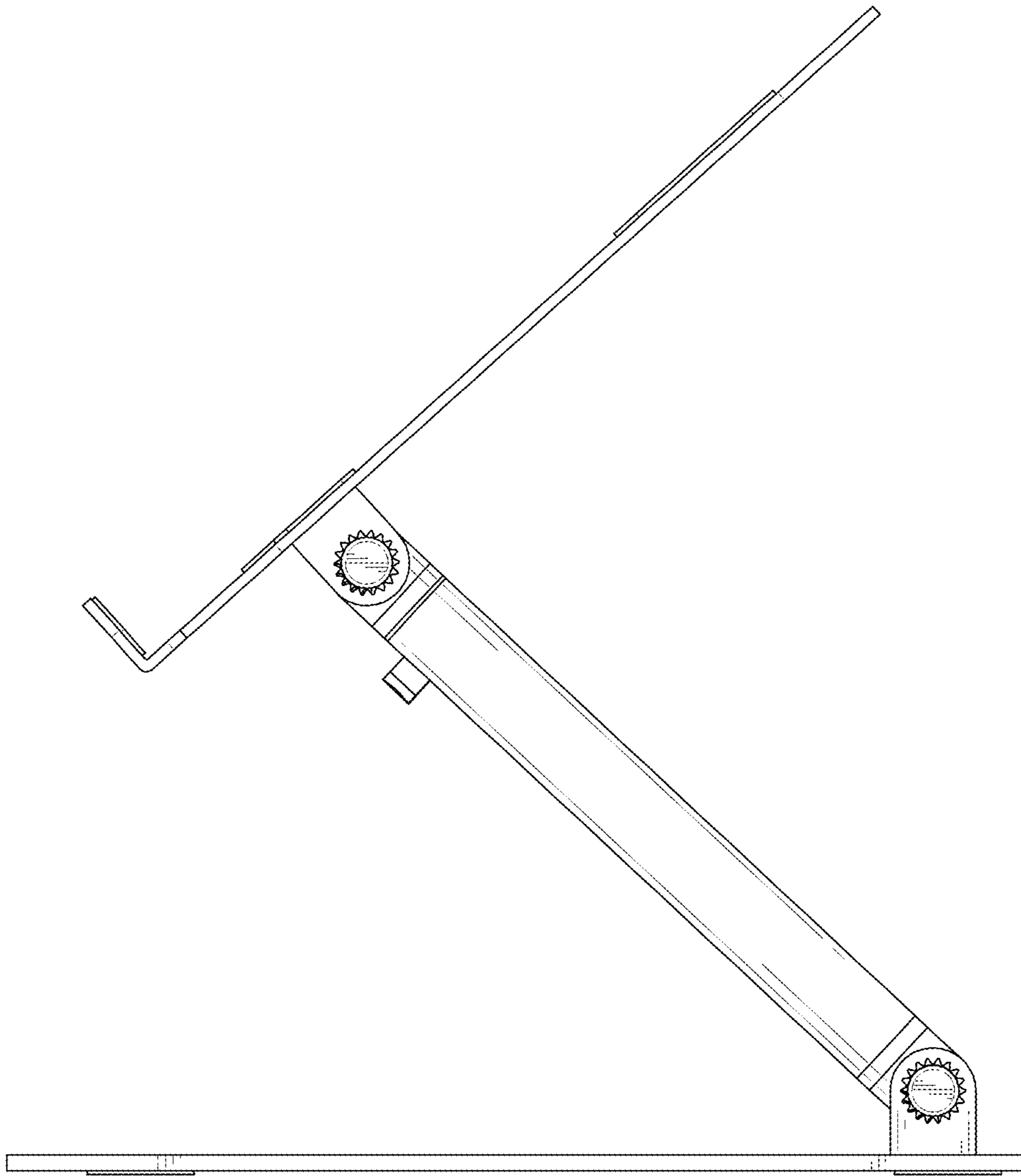


FIG. 6

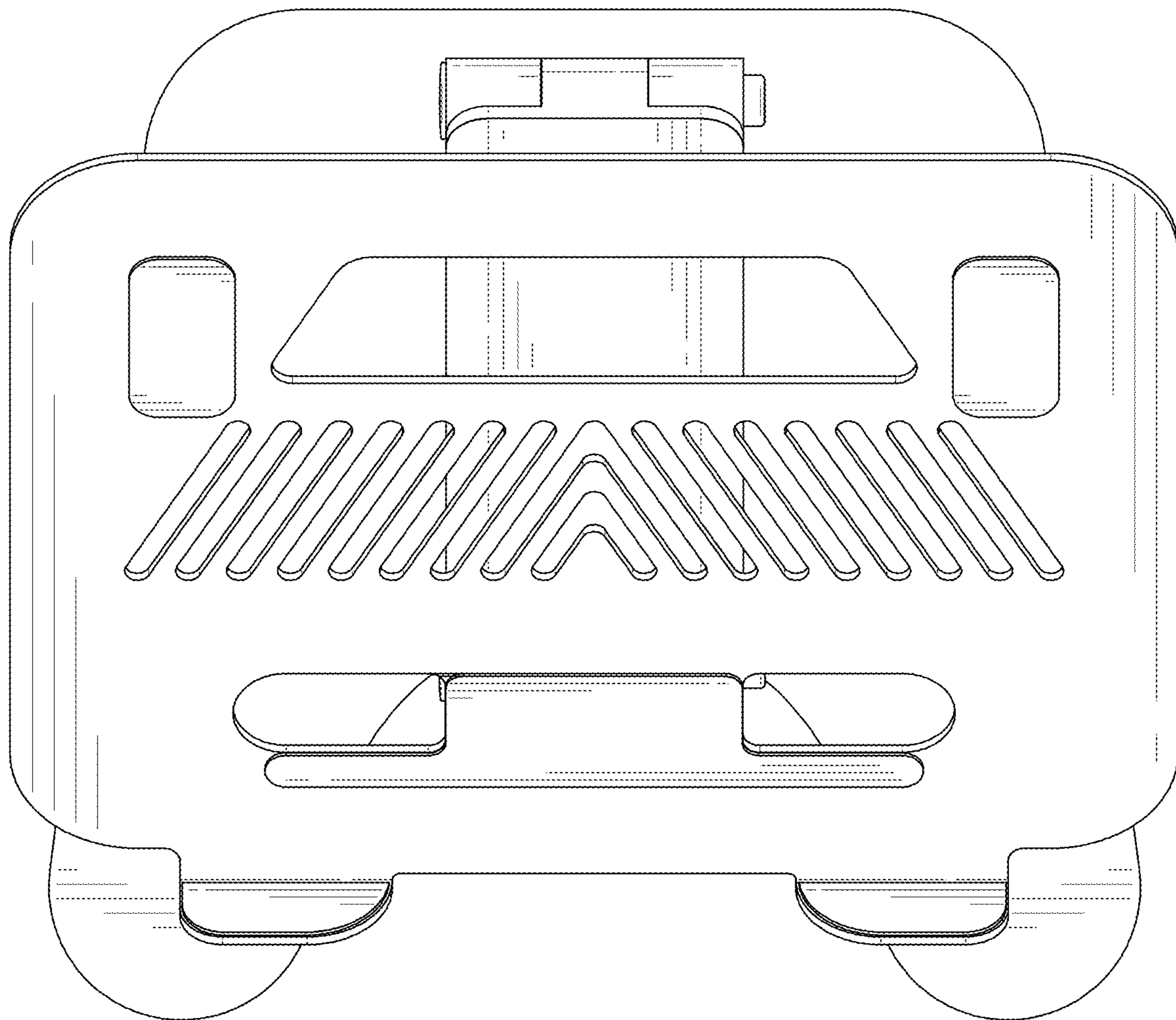


FIG. 7

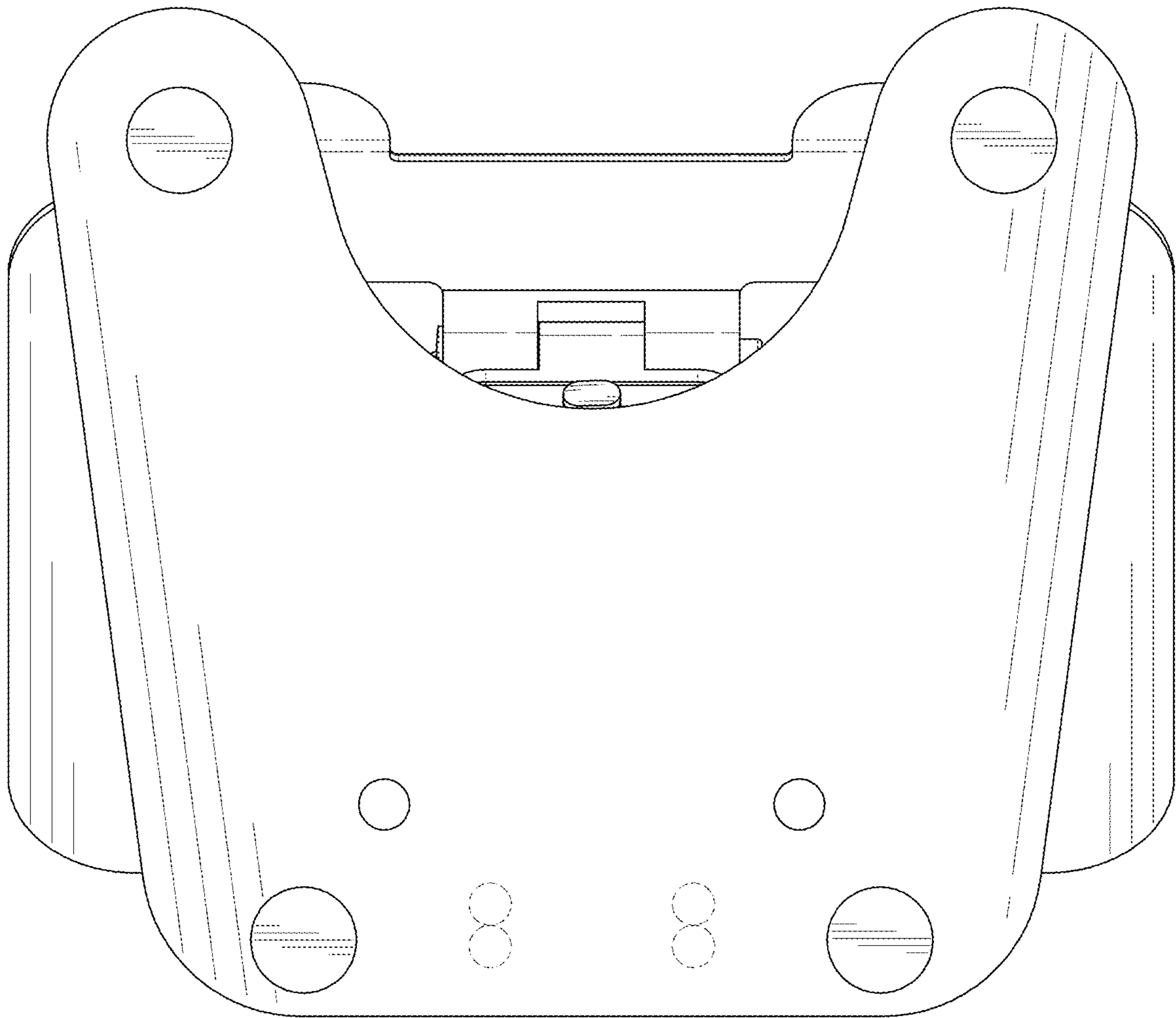


FIG. 8

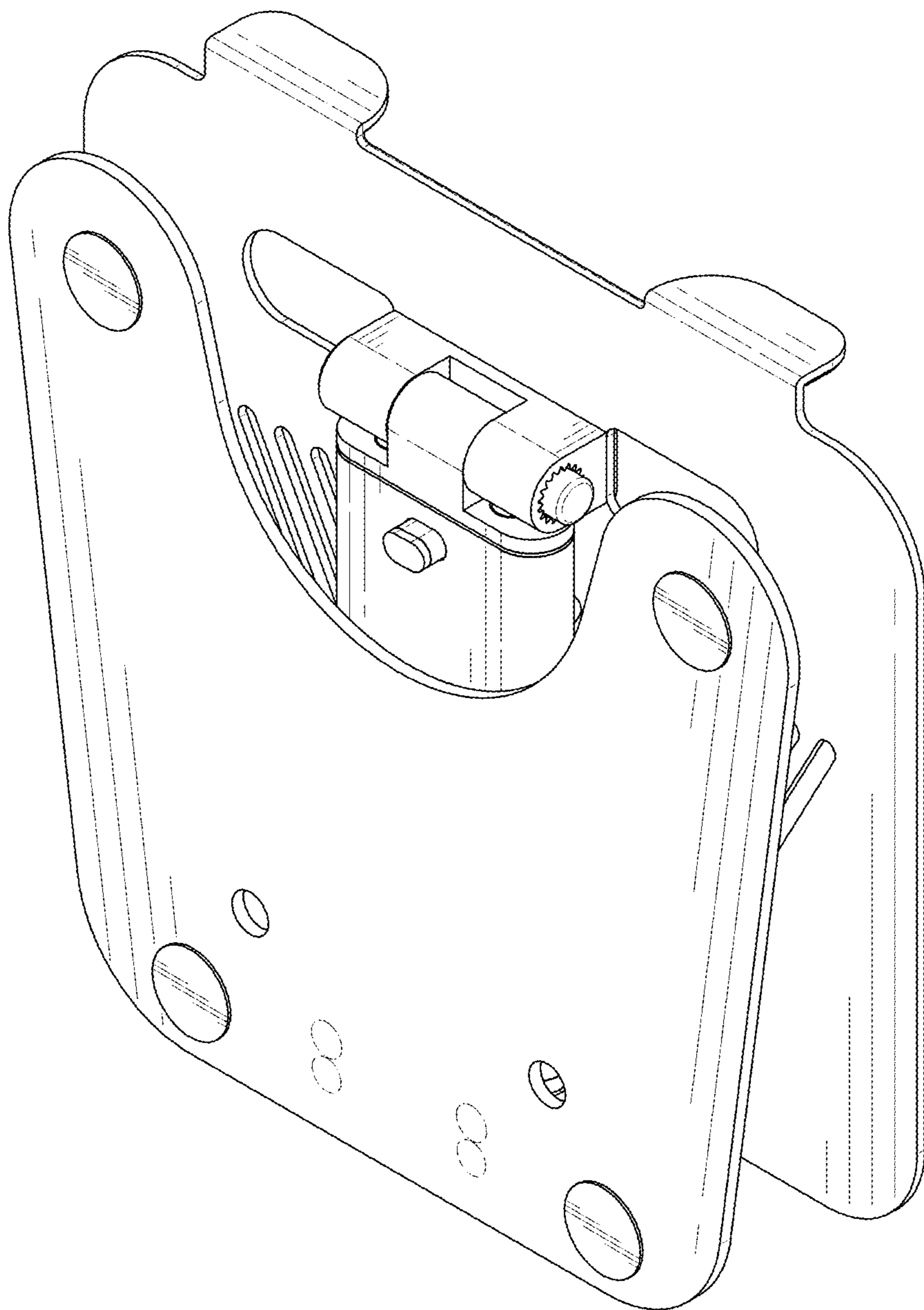


FIG. 9

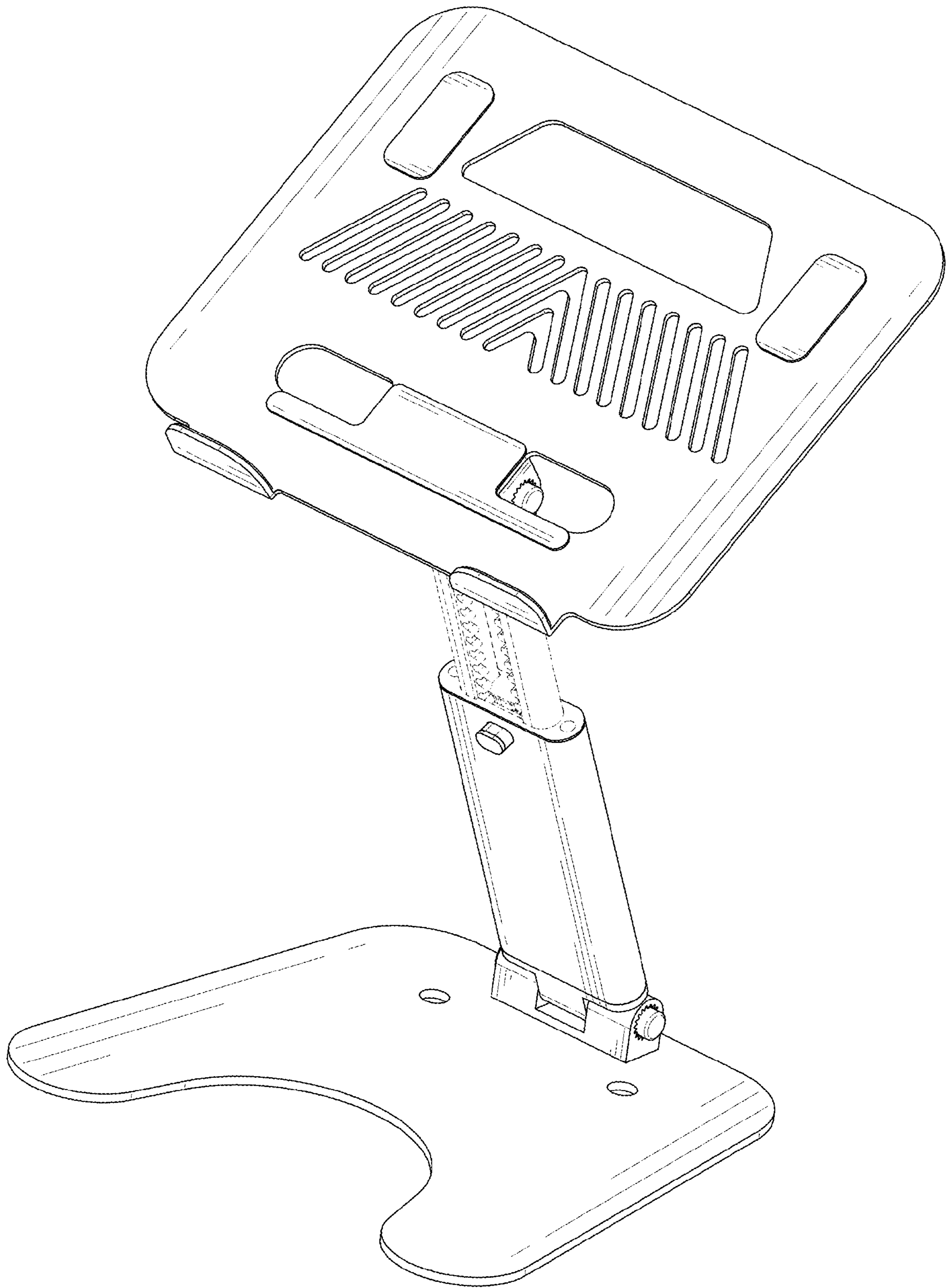


FIG. 10