

US00D971221S

(12) **United States Design Patent** (10) **Patent No.:** **US D971,221 S**
Chan et al. (45) **Date of Patent:** **** Nov. 29, 2022**

(54) **CASE FOR PORTABLE ELECTRONIC COMPUTING DEVICE**

(71) Applicant: **Pioneer Square Brands, Inc.**, Seattle, WA (US)

(72) Inventors: **Jaimie Emerald Chan**, Renton, WA (US); **Michael Cooper Ferren**, Camas, WA (US); **Brian Lewis Piper**, Seattle, WA (US)

(73) Assignee: **Pioneer Square Brands, Inc.**, McLean, VA (US)

(**) Term: **15 Years**

(21) Appl. No.: **29/814,916**

(22) Filed: **Nov. 10, 2021**

(51) **LOC (13) Cl.** **14-02**

(52) **U.S. Cl.**
USPC **D14/440**

(58) **Field of Classification Search**
USPC D14/440, 447; D3/276
CPC . A45C 11/34; A45C 15/00; G06F 1/20; G06F 1/203
See application file for complete search history.

D763,853 S * 8/2016 Pearce D14/440
D763,856 S 8/2016 Moore
D766,249 S 9/2016 Veltz et al.
D784,349 S * 4/2017 Schwibner D14/440
D799,491 S 10/2017 Barnard et al.
D803,221 S * 11/2017 Guo D14/440
D808,395 S 1/2018 Fenton
D810,732 S 2/2018 Fenton et al.
D811,410 S * 2/2018 Burmester D14/440
D812,620 S 3/2018 Cheng

(Continued)

FOREIGN PATENT DOCUMENTS

FR 2985160 A3 * 7/2013 A45C 11/00
KR 300635178.0000 * 3/2012

OTHER PUBLICATIONS

Best ipad cases 2022, Esquire article, date visited Aug. 12, 2022, <https://www.esquire.com/lifestyle/g39438513/best-ipad-cases/>.*

Primary Examiner — John R Yeh
(74) *Attorney, Agent, or Firm* — Grandview Law

(57) **CLAIM**

The ornamental design for a case for portable electronic computing device, as shown and described.

DESCRIPTION

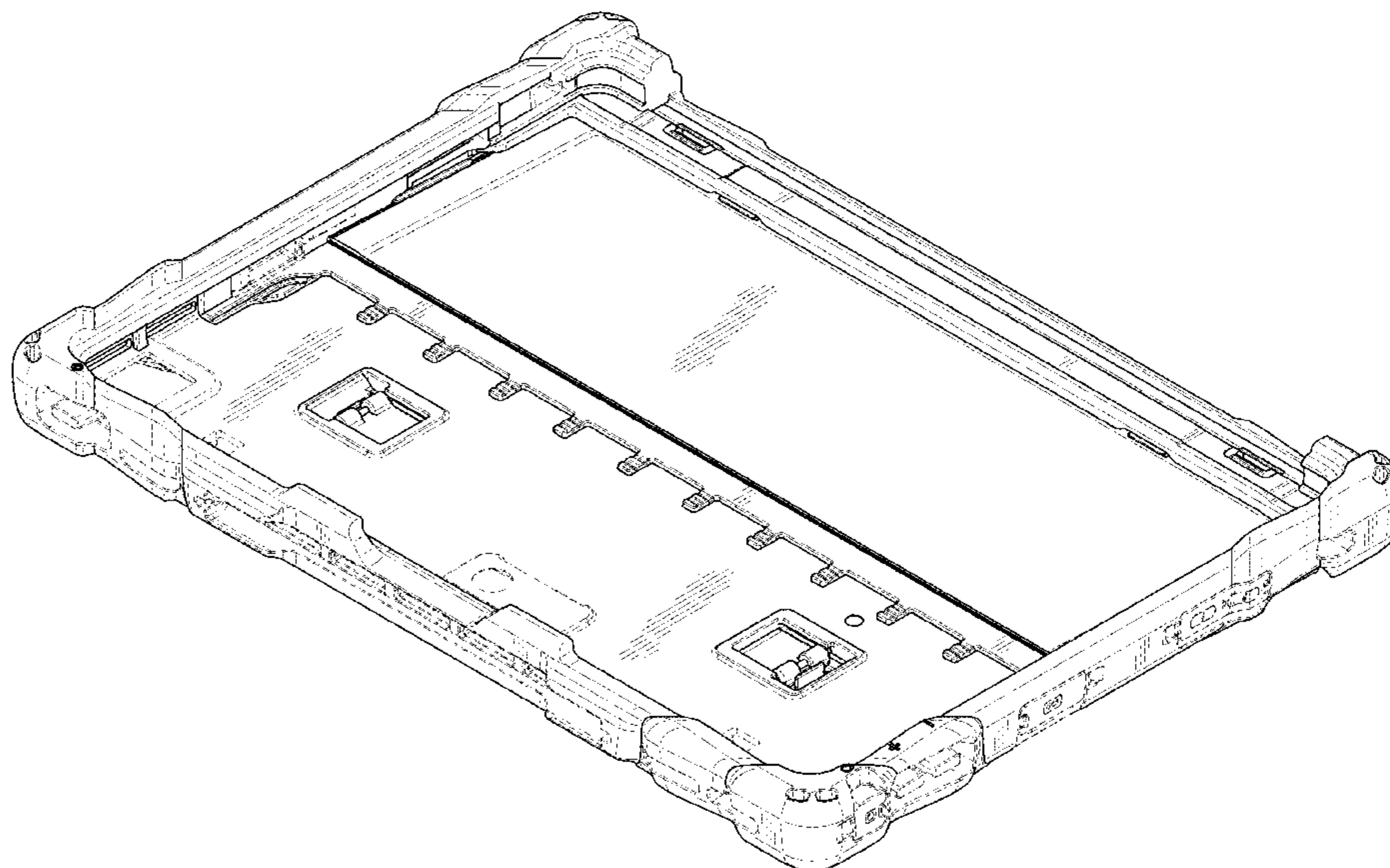
FIG. 1 is a top perspective view of a case for portable electronic computing device showing our new design. FIG. 2 is a front elevational view thereof. FIG. 3 is a rear elevational view thereof. FIG. 4 is a right elevational view thereof. FIG. 5 is a left elevational view thereof. FIG. 6 is a top plan view thereof; and, FIG. 7 is a bottom plan view thereof. The features shown in broken lines in the drawing figures depict features that form no part of the claimed design.

1 Claim, 7 Drawing Sheets

(56) **References Cited**

U.S. PATENT DOCUMENTS

D647,526 S 10/2011 Vandiver et al.
D663,304 S * 7/2012 Akana D14/440
D665,168 S * 8/2012 Dawson D3/276
D673,158 S * 12/2012 Yang D14/440
D688,669 S 8/2013 Akana et al.
D689,056 S * 9/2013 Li D14/440
D696,257 S * 12/2013 Ward D14/440
D703,672 S 4/2014 Kim et al.
D709,510 S * 7/2014 Soare D14/440
D724,091 S * 3/2015 Gelsomini D14/440
D728,579 S 5/2015 Mecchella et al.
D729,255 S * 5/2015 Kilkenny D14/440



(56)

References Cited

U.S. PATENT DOCUMENTS

D816,087 S	4/2018	Fenton et al.	
D816,088 S	4/2018	Fenton et al.	
D817,334 S	5/2018	Fenton et al.	
D832,269 S	* 10/2018	Cheng	D14/440
D835,625 S	* 12/2018	Li	D14/440
D837,794 S	1/2019	Ferren et al.	
D837,796 S	1/2019	Kim et al.	
D837,797 S	* 1/2019	Wright	D14/440
D841,012 S	2/2019	Kim et al.	
D841,013 S	2/2019	Ferren et al.	
D848,441 S	5/2019	Ferren et al.	
D850,454 S	6/2019	Kim et al.	
D852,199 S	6/2019	Kim et al.	
D852,201 S	6/2019	Ferren et al.	
D852,202 S	6/2019	Ferren et al.	
D861,698 S	10/2019	Fenton	
D862,478 S	* 10/2019	Ahn	D14/440
D862,480 S	* 10/2019	Chan	D14/440
D863,313 S	* 10/2019	Li	D14/440
D863,314 S	10/2019	Ferren et al.	
D863,315 S	10/2019	Chan et al.	
D863,316 S	10/2019	Chan et al.	
D863,317 S	10/2019	Chan et al.	
D864,210 S	10/2019	Ferren et al.	
D868,788 S	12/2019	Weng	
D874,467 S	2/2020	Chan et al.	
D877,509 S	3/2020	Kilkenny	
D887,709 S	6/2020	Fenton et al.	
D888,063 S	6/2020	Chan et al.	
D888,720 S	6/2020	Moore	
D892,806 S	8/2020	Manzano et al.	
D892,807 S	8/2020	Chan et al.	
D895,630 S	9/2020	Piper et al.	
D897,349 S	* 9/2020	Li	D14/440
D898,035 S	* 10/2020	Xu	D14/440
D898,747 S	* 10/2020	Deng	D14/440
D902,215 S	11/2020	Quan	
D902,934 S	11/2020	Manzano	
D913,294 S	* 3/2021	Li	D14/440
D913,295 S	3/2021	Piper et al.	
D920,336 S	5/2021	Cheng	
D920,337 S	5/2021	Chan	
D920,983 S	6/2021	Chan	
D922,392 S	6/2021	Chan et al.	
D925,543 S	7/2021	Ma	
D927,494 S	8/2021	Yu	
D931,288 S	9/2021	Li	
D933,075 S	10/2021	Wright et al.	
D934,262 S	10/2021	Manzano et al.	
D937,273 S	* 11/2021	Wei	D14/440
D941,297 S	* 1/2022	Wright	D14/440

* cited by examiner

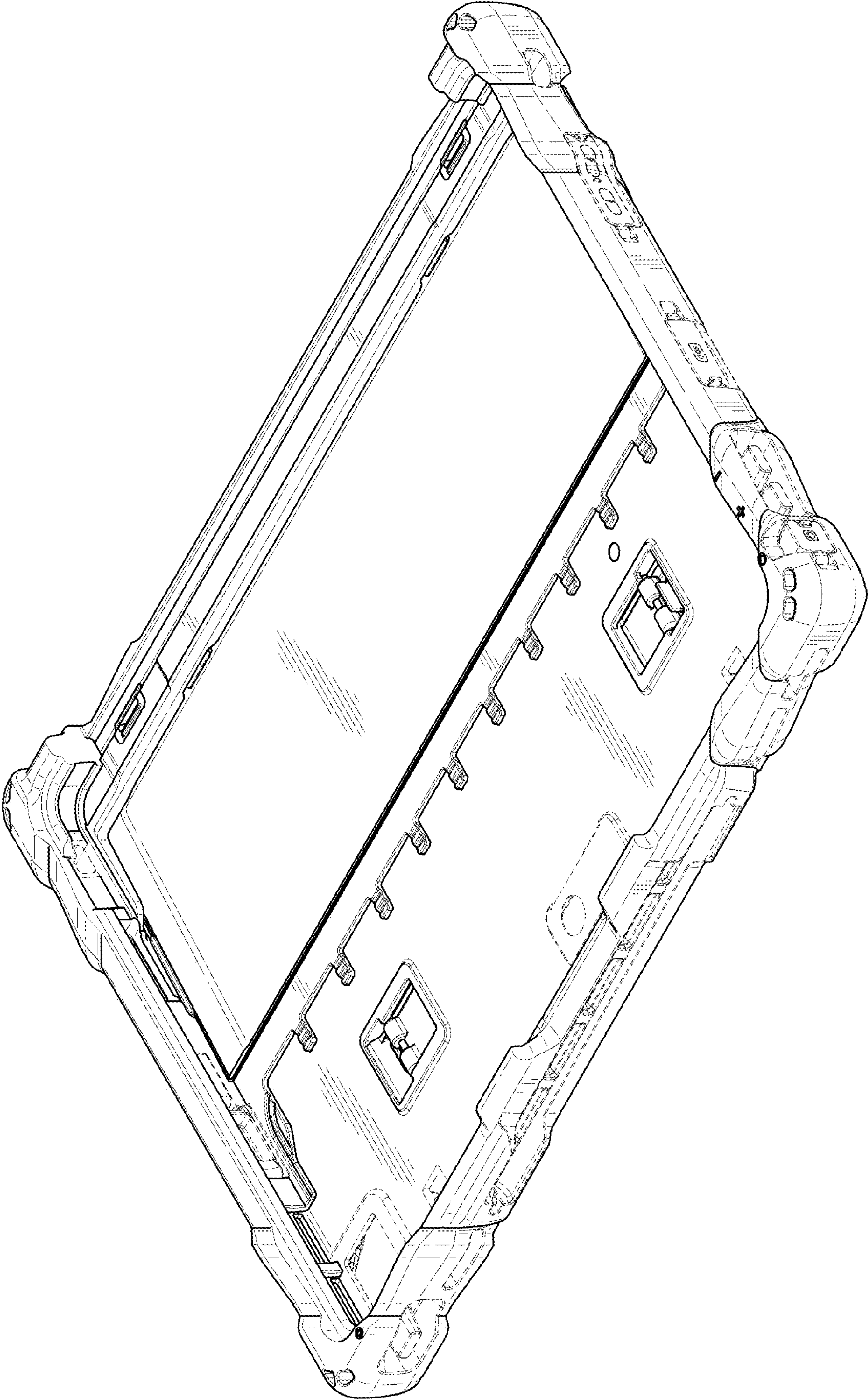


FIG. 1

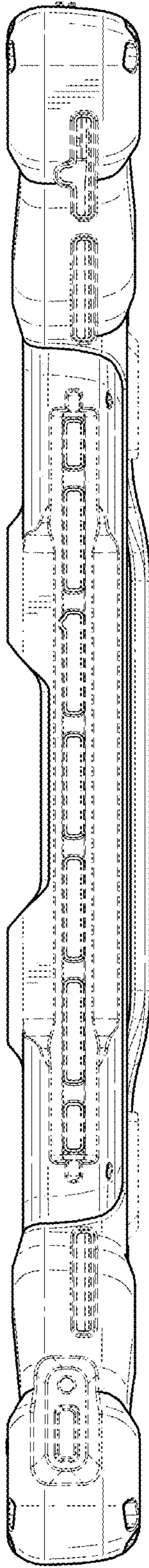


FIG. 2

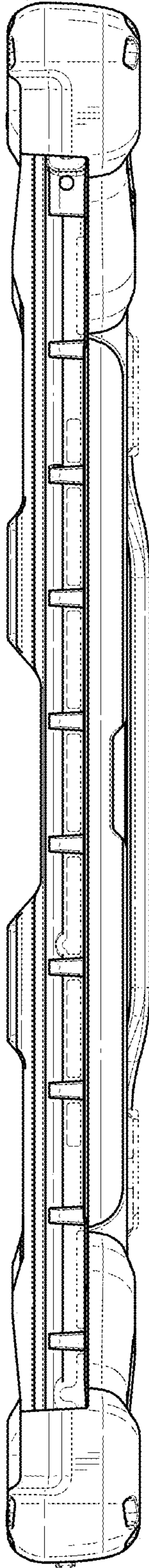


FIG. 3

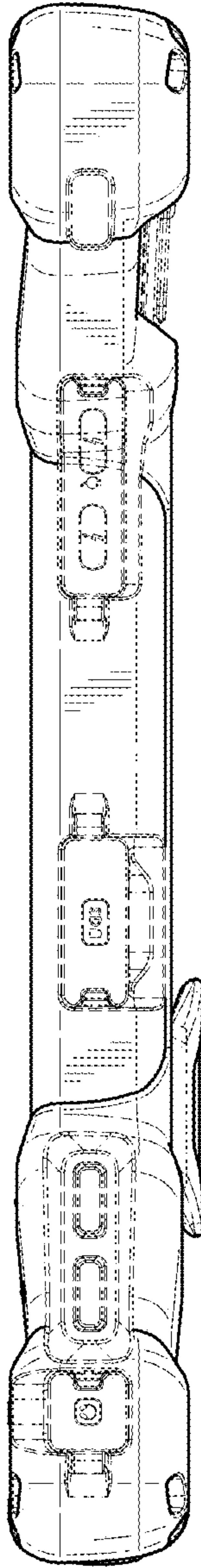


FIG. 4

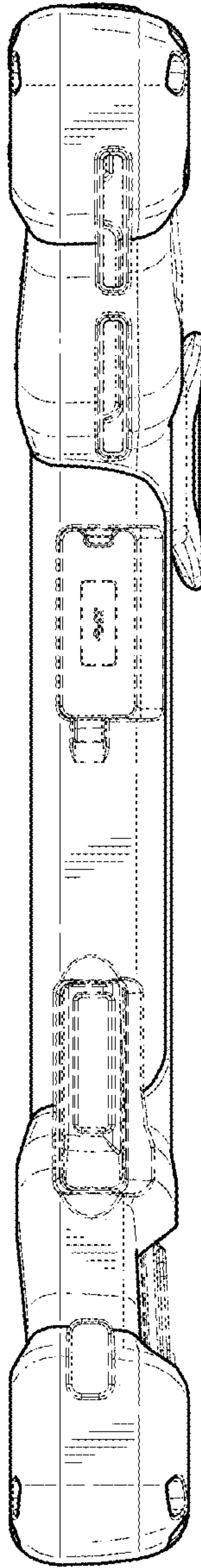


FIG. 5

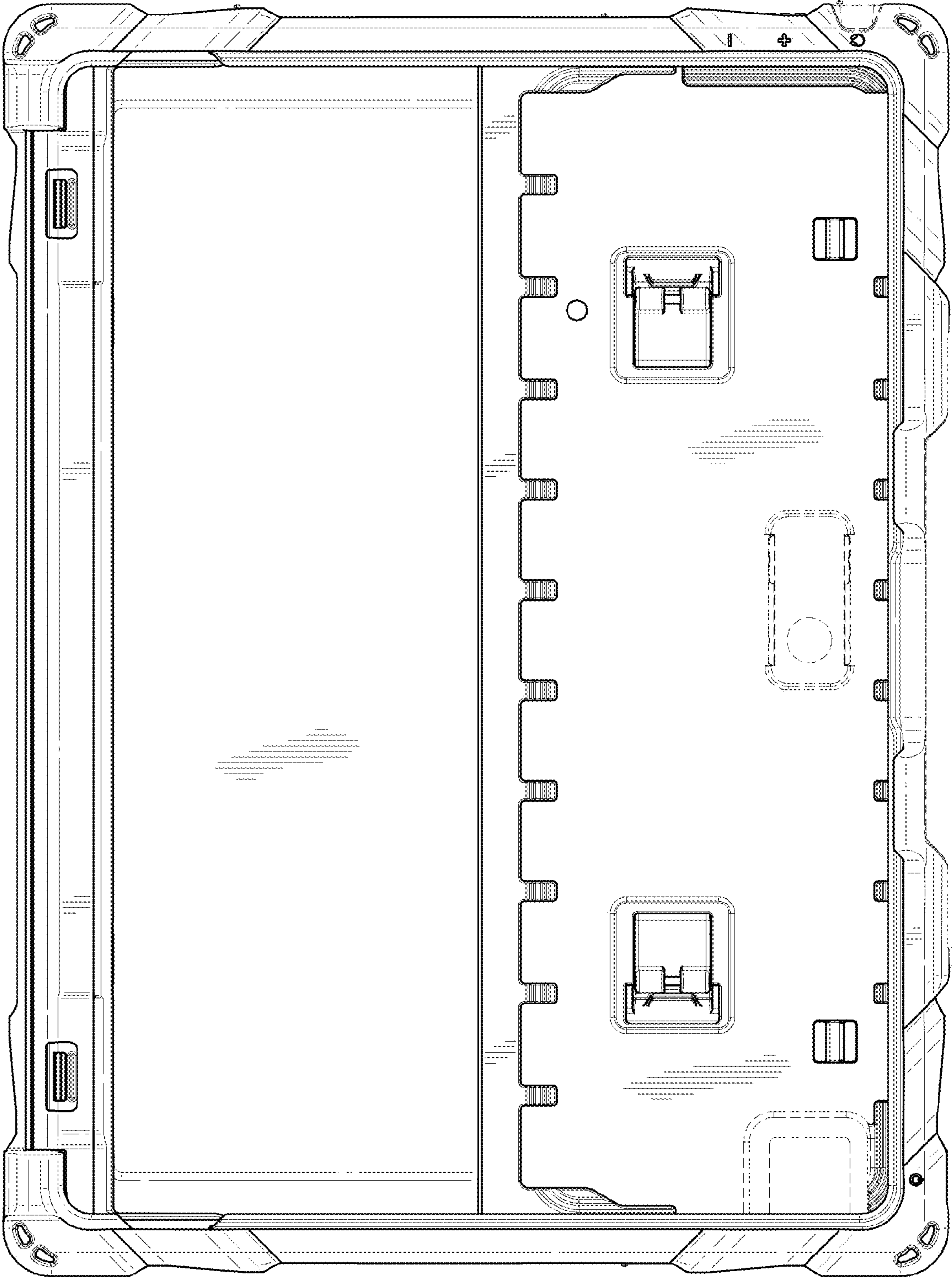


FIG. 6

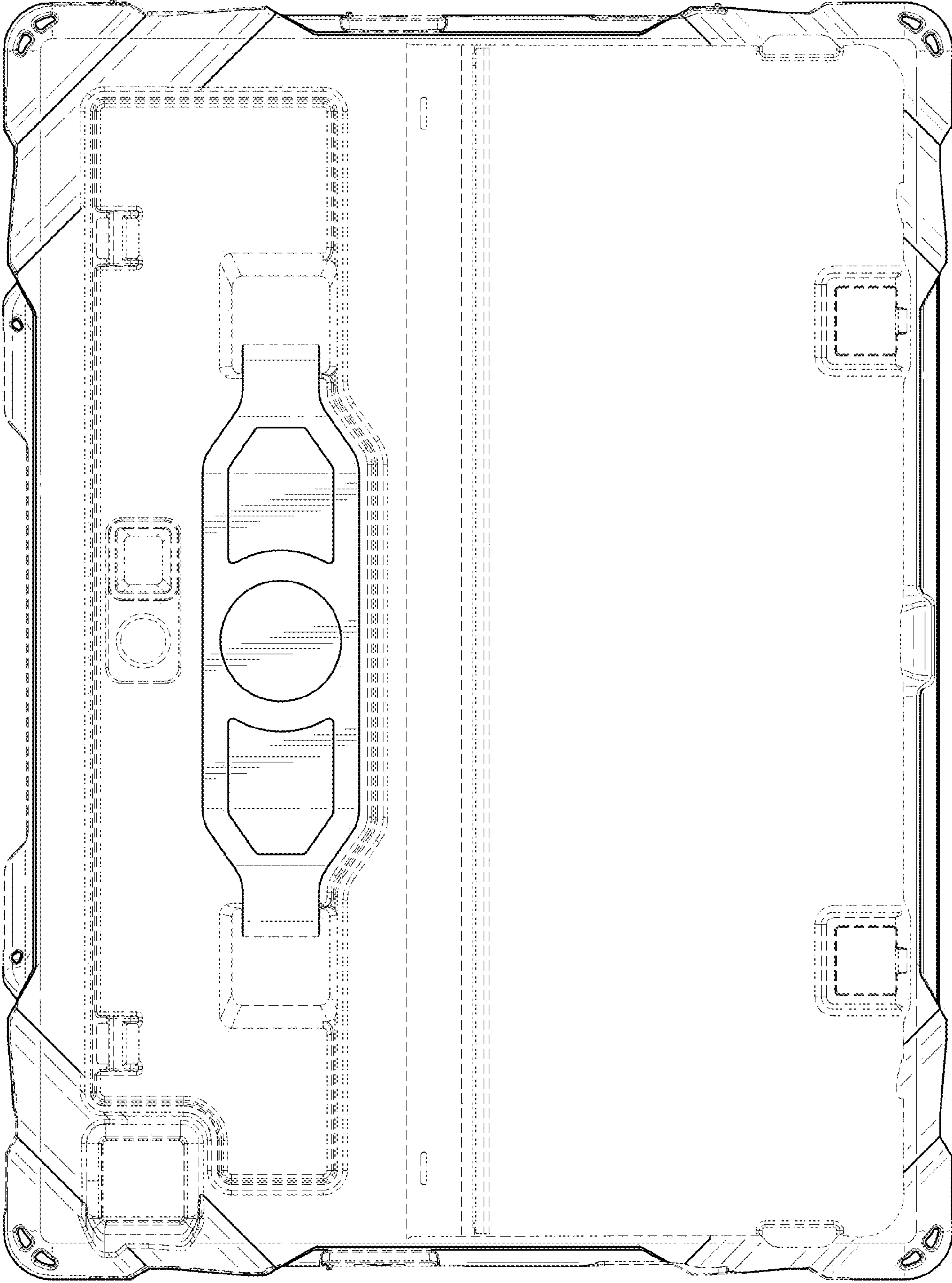


FIG. 7