



US00D971217S

(12) **United States Design Patent** (10) **Patent No.:** **US D971,217 S**  
**Wu** (45) **Date of Patent:** **\*\* Nov. 29, 2022**

(54) **DOCKING STATION**  
(71) Applicant: **Shihong Wu**, Liuzhou (CN)  
(72) Inventor: **Shihong Wu**, Liuzhou (CN)  
(73) Assignee: **JIANGXI KINGTRON TECHNOLOGY CO., LTD**, Jiangxi (CN)

D854,019 S \* 7/2019 Liao ..... D14/433  
D854,544 S \* 7/2019 Liao ..... D14/433  
D855,616 S \* 8/2019 Chin ..... D14/433  
D864,205 S \* 10/2019 Wang ..... D14/433  
D864,964 S \* 10/2019 Lyu ..... D14/433  
D864,966 S \* 10/2019 Sang ..... D14/433  
D866,557 S \* 11/2019 Xiong ..... D14/433  
D879,780 S \* 3/2020 Liao ..... D14/433  
D882,578 S \* 4/2020 Zhang ..... D14/433

(Continued)

(\*\*) Term: **15 Years**

**FOREIGN PATENT DOCUMENTS**

(21) Appl. No.: **29/817,597**

CN 307256651 \* 4/2022

(22) Filed: **Dec. 2, 2021**

**OTHER PUBLICATIONS**

(51) **LOC (13) Cl.** ..... **14-02**

(52) **U.S. Cl.**  
USPC ..... **D14/434**

USB C Hub Adapter for MacBook Pro/Air 2020 2019 2018, 6 in 1 USB-C Accessories, first available Aug. 31, 2021, amazon.com, [online], [site visited Jul. 15, 2022], Available from internet URL: <https://www.amazon.com/dp/B01CTRWI0G/1> (Year: 2021).\*

(Continued)

(58) **Field of Classification Search**  
USPC ..... D14/434, 440, 447, 432, 433, 451, 452, D14/454, 455, 356, 358, 357, 315, 320, D14/322, 326, 392, 251-253, 217, 299, D14/496, 168, 172, 125, 240; D13/103, D13/107-108, 118-119, 184, 110; D18/12, 12.1, 12.3  
CPC ..... G06F 1/16; G06F 1/1616; G06F 1/1626; G06F 1/1632; G06F 1/1684; G06F 1/1688; G06F 1/266; G06F 13/00; G06F 13/12; G06F 13/14; G06F 13/20; G06F 13/382; G06F 13/4022; F16M 11/10; F16M 11/20; H02J 52/025; H02J 7/0042; H02J 7/00; H02J 7/0027; H02J 7/0044; H02J 7/0045; H02J 7/335; H02J 7/025; H04R 1/025; H04R 5/04; H01R 31/065; H01M 10/44

See application file for complete search history.

*Primary Examiner* — Samantha Q Lawrence  
*Assistant Examiner* — Holly M Rodriguez  
(74) *Attorney, Agent, or Firm* — Justin Lampel

(57) **CLAIM**

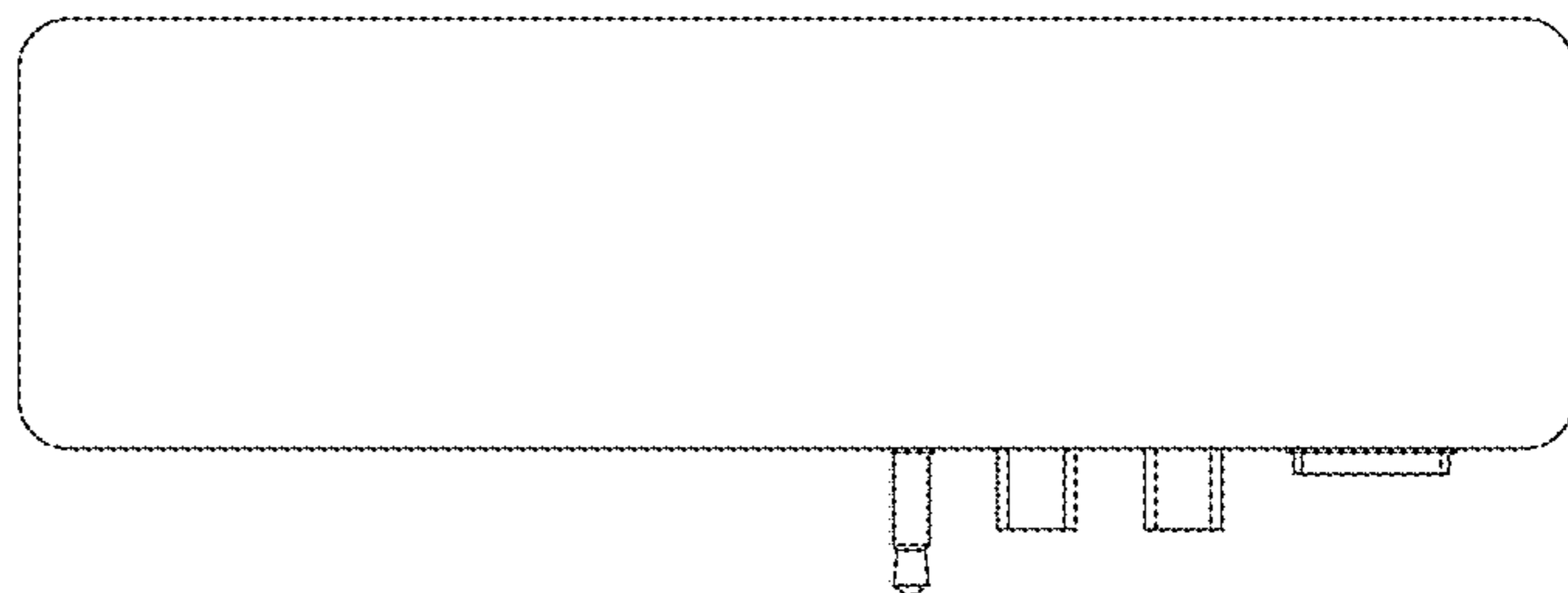
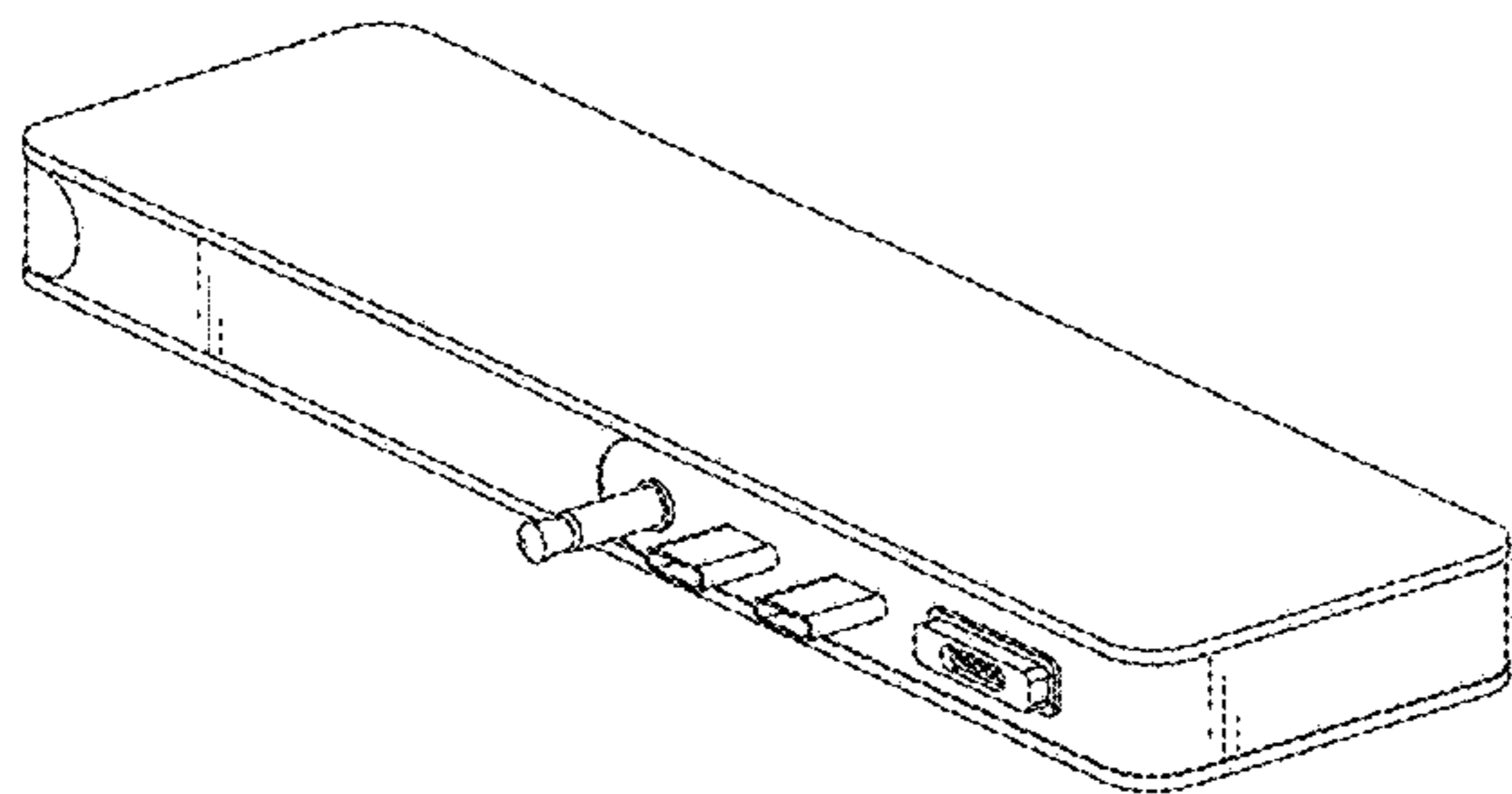
The ornamental design for a docking station, as shown and described.

**DESCRIPTION**

FIG. 1 is a perspective view of a docking station showing my new design;  
FIG. 2 is a top plan view thereof;  
FIG. 3 is a rear elevational view thereof;  
FIG. 4 is a left side view thereof;  
FIG. 5 is a front elevational view thereof;  
FIG. 6 is a right side view thereof; and,  
FIG. 7 is a bottom plan view thereof.  
The broken lines illustrate portions of the docking station that form no part of the claimed design.

**1 Claim, 7 Drawing Sheets**

(56) **References Cited**  
**U.S. PATENT DOCUMENTS**  
D689,858 S 9/2013 Lo  
D813,875 S \* 3/2018 Liao ..... D14/434  
D844,618 S \* 4/2019 Liao ..... D14/434



(56)

**References Cited**

U.S. PATENT DOCUMENTS

D899,427 S \* 10/2020 Liao ..... D14/433  
D900,104 S \* 10/2020 Liao ..... D14/433  
D900,111 S \* 10/2020 Wu ..... D14/433  
D918,211 S \* 5/2021 Liao ..... D14/433

OTHER PUBLICATIONS

Usb C Hub Adapter for MacBook Pro 2020, first available Oct. 24, 2019, amazon.com, [online], [site visited Jul. 15, 2022], Available from internet URL: [https://www.amazon.com/dp/B07X1VYRN3/ref=sspa\\_dk\\_detail\\_1?psc=1&pd\\_rd\\_i=B07X1VYRN3&pd\\_rd\\_w=xNhvQ&content-id=amzn1.sym.3481f441%E2%80%A6](https://www.amazon.com/dp/B07X1VYRN3/ref=sspa_dk_detail_1?psc=1&pd_rd_i=B07X1VYRN3&pd_rd_w=xNhvQ&content-id=amzn1.sym.3481f441%E2%80%A6) (Year: 2019).\*

\* cited by examiner

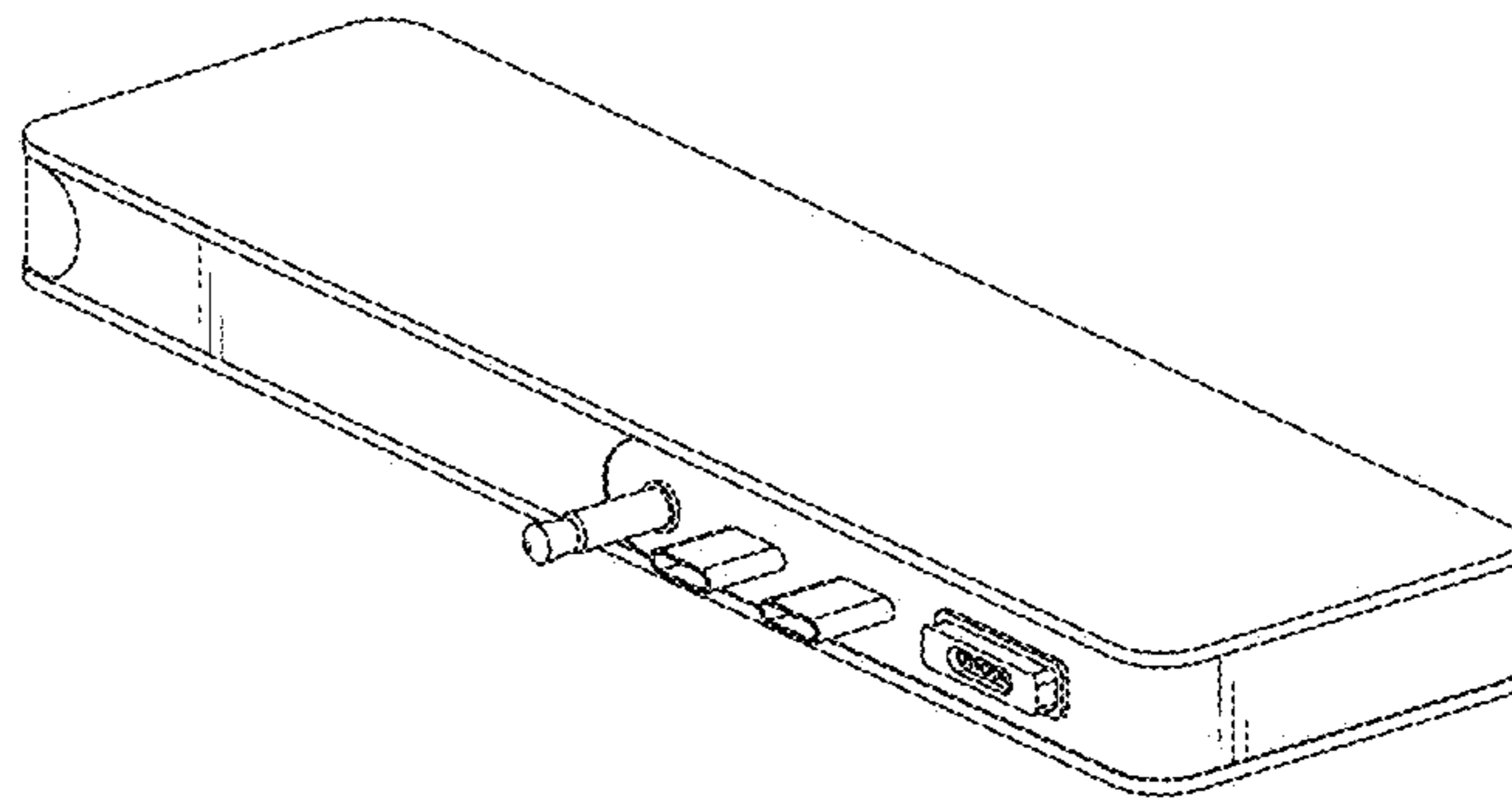


FIG.1

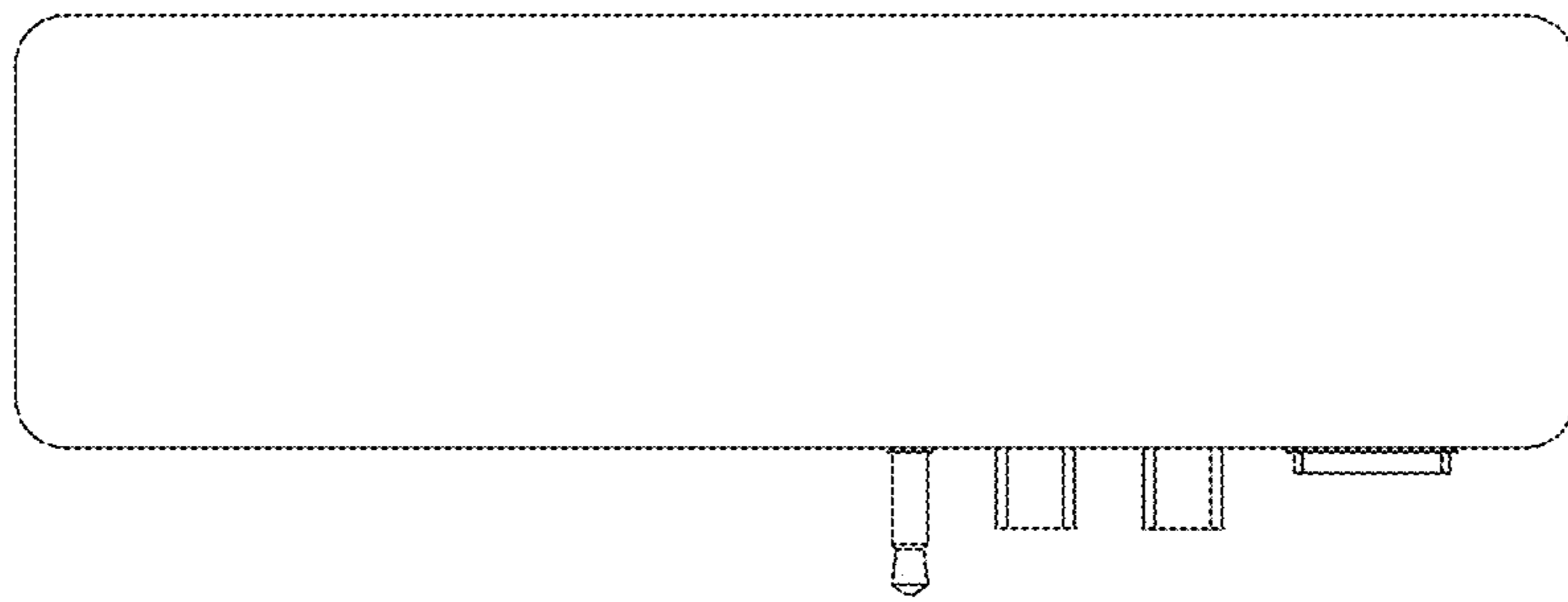


FIG. 2

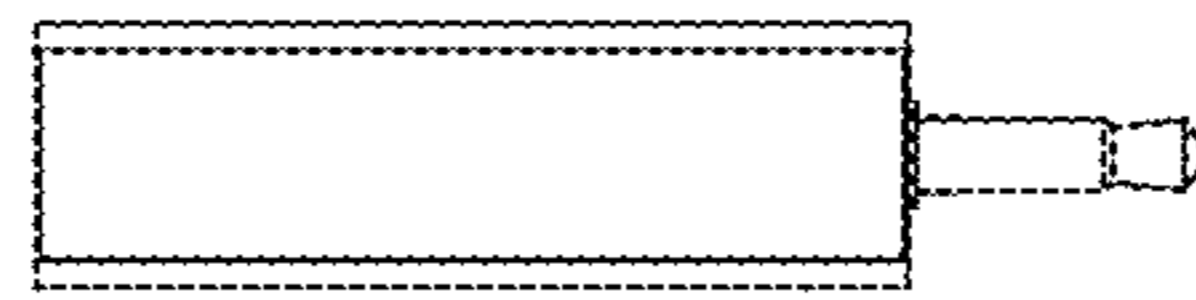


FIG.3

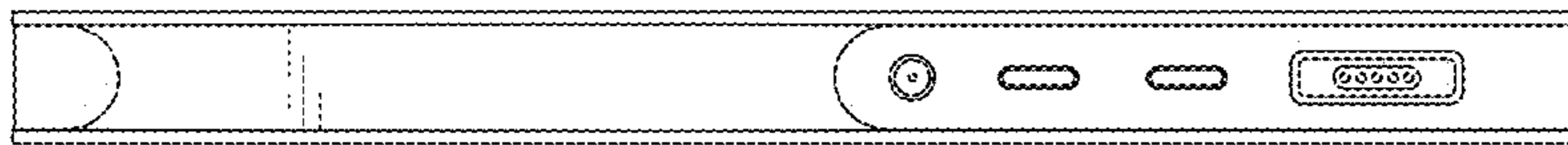


FIG.4

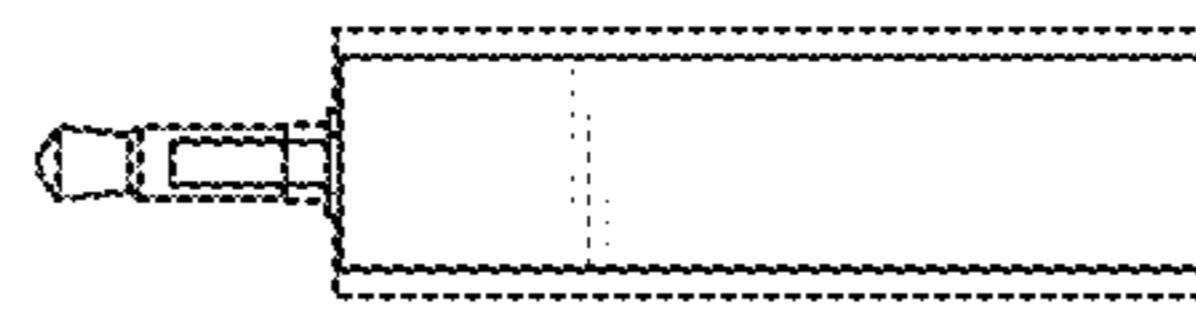


FIG.5

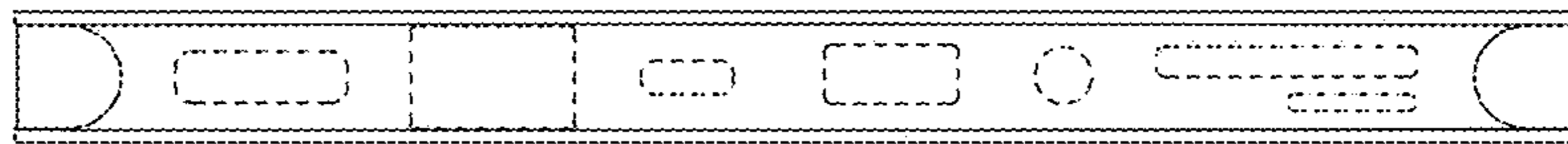


FIG.6



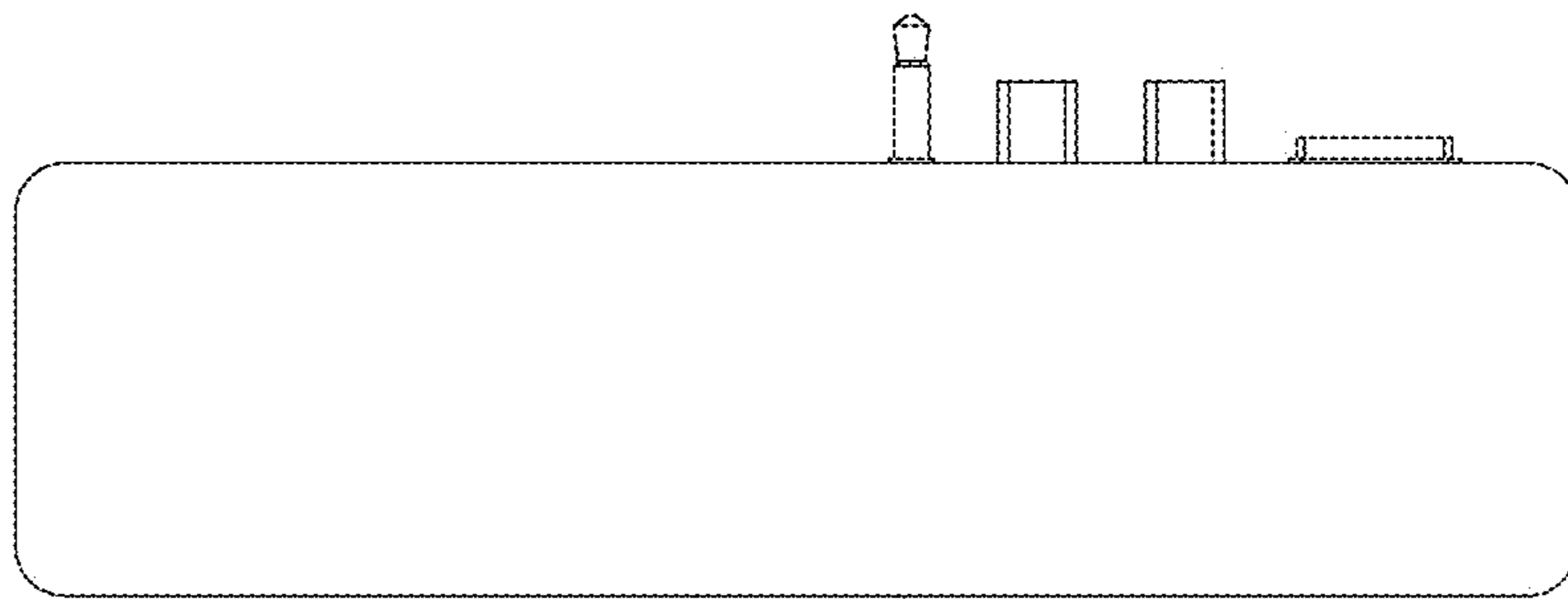


FIG.7