



US00D971216S

(12) **United States Design Patent**  
**Osaki et al.**

(10) **Patent No.:** **US D971,216 S**  
(45) **Date of Patent:** **\*\* Nov. 29, 2022**

(54) **CONNECTOR**

(71) Applicant: **Microsoft Corporation**, Redmond, WA (US)

(72) Inventors: **Go Osaki**, Shenzhen (CN); **Min Fang**, Shenzhen (CN); **Simon Cameron Dearsley**, Bellevue, WA (US)

(73) Assignee: **Microsoft Corporation**, Redmond, WA (US)

(\*\*) Term: **15 Years**

(21) Appl. No.: **29/753,303**

(22) Filed: **Sep. 30, 2020**

(51) **LOC (13) Cl.** ..... **14-02**

(52) **U.S. Cl.**  
USPC ..... **D14/433**

(58) **Field of Classification Search**  
USPC .... D14/356, 432-434, 453, 454, 511, 203.8, D14/209.1, 238.1, 240, 125; 439/638, 439/928, 105, 502; 710/303, 304; 361/679.41, 679.55, 679.56; D13/110, D13/133, 146  
CPC ..... H01R 24/64; H01R 24/62; H01R 12/714; H01R 13/506; H01R 13/6658  
See application file for complete search history.

(56) **References Cited**

**U.S. PATENT DOCUMENTS**

D548,700 S	8/2007	Ledbetter et al.	
D789,935 S	6/2017	Zheng et al.	
D798,301 S	9/2017	Kujawski et al.	
D828,841 S *	9/2018	Zhang .....	D14/433
D853,394 S	7/2019	McCracken et al.	
D894,190 S *	8/2020	Zhang .....	D14/433
D911,346 S *	2/2021	Turksu .....	D14/433
D916,094 S *	4/2021	Liao .....	D14/433
D916,705 S *	4/2021	Liao .....	D14/433
D918,917 S *	5/2021	Wu .....	D14/433

D918,918 S *	5/2021	Wu .....	D14/433
D923,626 S *	6/2021	Zhang .....	D14/433
D928,160 S *	8/2021	Liao .....	D14/433
D930,652 S *	9/2021	Lo .....	D14/433
D933,663 S *	10/2021	Zhang .....	D14/433
D934,254 S *	10/2021	Jiang .....	D14/433
D934,257 S *	10/2021	Zhang .....	D14/433
D936,656 S *	11/2021	Liao .....	D14/433
D936,657 S *	11/2021	Zhang .....	D14/433

(Continued)

*Primary Examiner* — Austin Murphy

(74) *Attorney, Agent, or Firm* — Banner & Witcoff, Ltd.

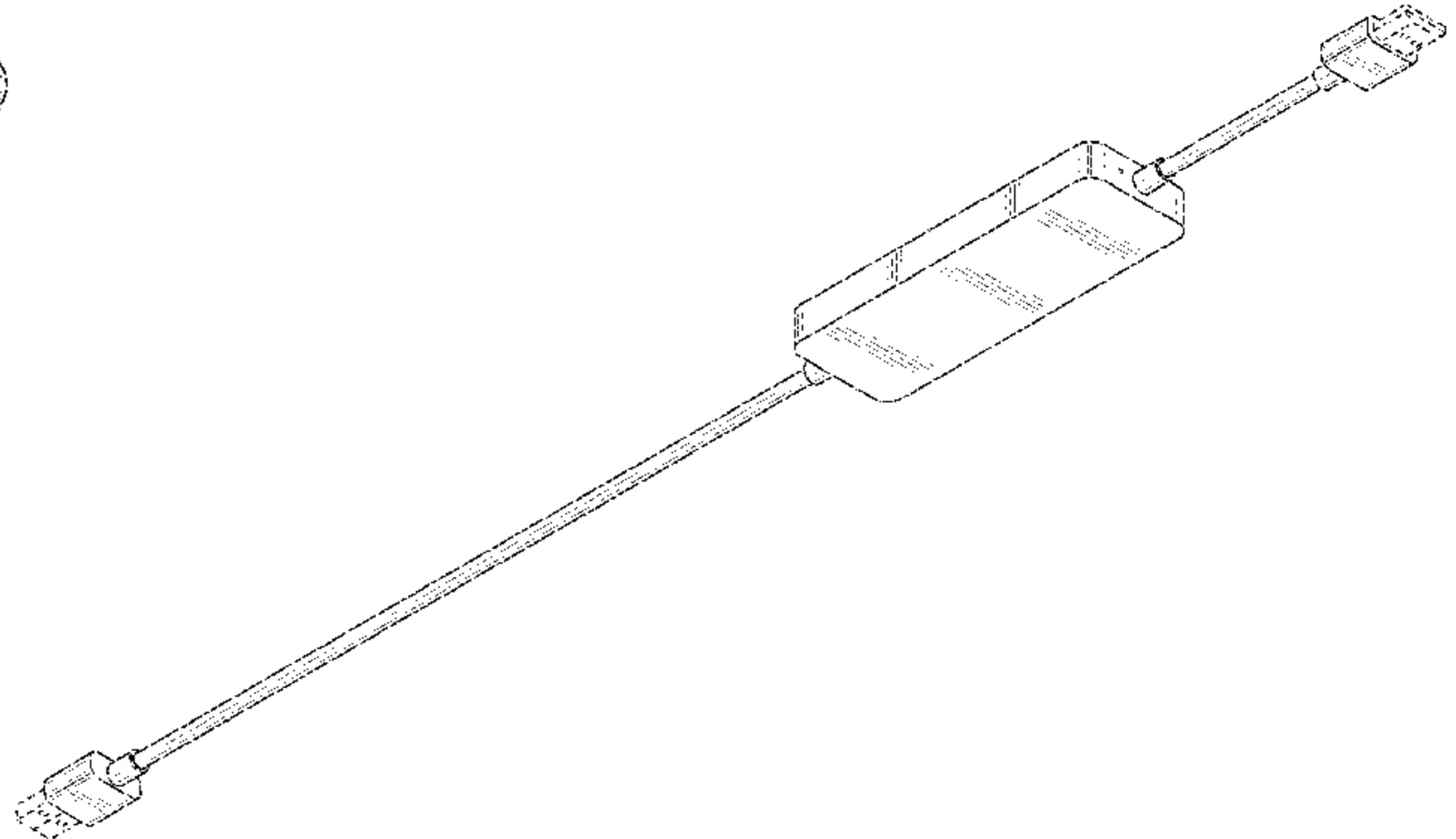
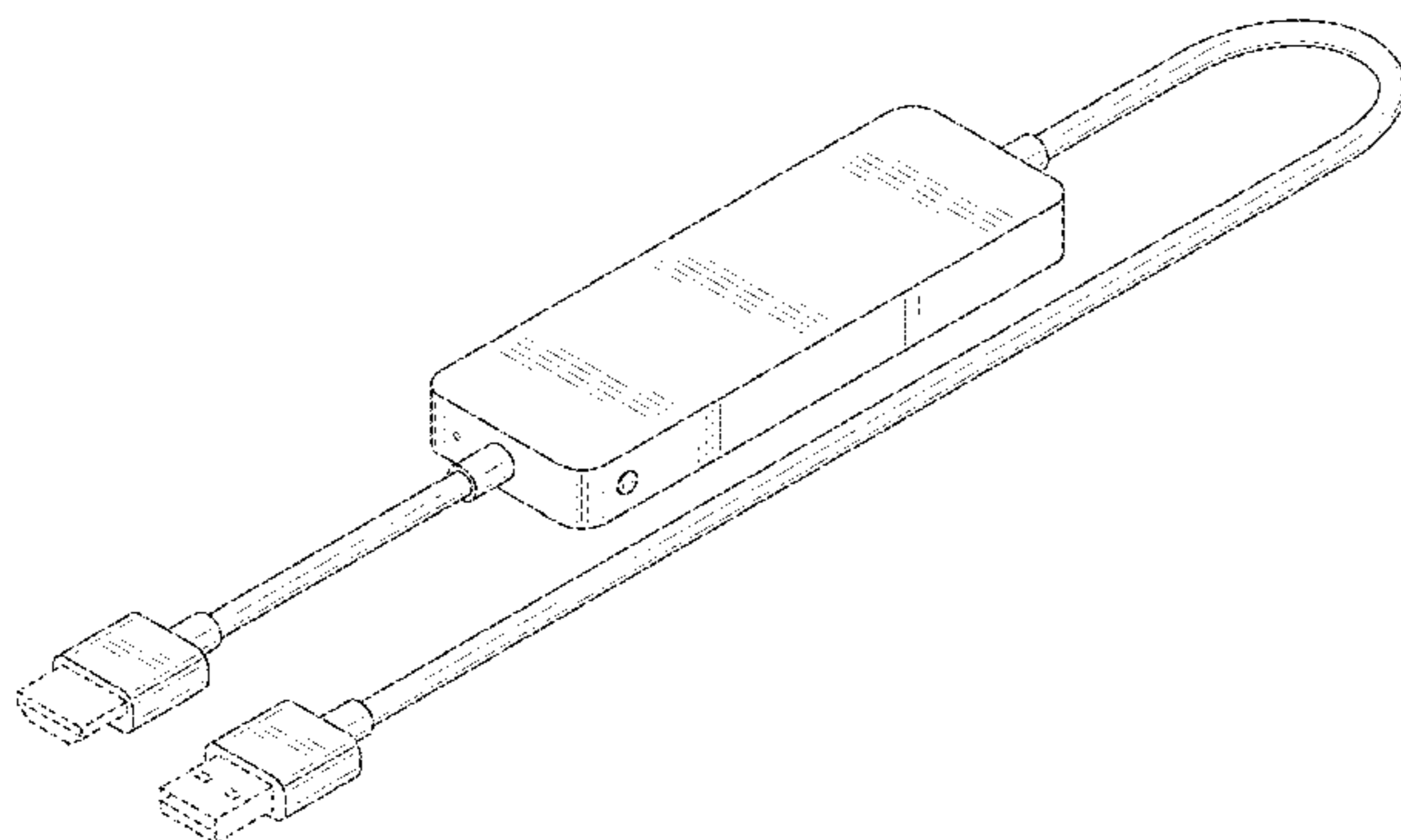
(57) **CLAIM**

The ornamental design for a connector, as shown and described.

**DESCRIPTION**

FIG. 1 is a top perspective view of a connector showing our new design;  
FIG. 2 is a bottom perspective view thereof;  
FIG. 3 is a top view thereof;  
FIG. 4 is a bottom view thereof;  
FIG. 5 is a right side view thereof;  
FIG. 6 is a left side view thereof;  
FIG. 7 is a front view thereof;  
FIG. 8 is a rear view thereof;  
FIG. 9 is top perspective view of the connector of FIGS. 1-8 with the cord unbent;  
FIG. 10 is a bottom perspective view thereof;  
FIG. 11 is a top view thereof;  
FIG. 12 is a bottom view thereof;  
FIG. 13 is a right side view thereof;  
FIG. 14 is a left side view thereof;  
FIG. 15 is a front view thereof; and,  
FIG. 16 is a rear view thereof.  
The broken lines depicting the remainder of the connector in FIGS. 1-16 show features that form no part of the claimed design.

**1 Claim, 8 Drawing Sheets**



(56)

**References Cited**

U.S. PATENT DOCUMENTS

D937,271 S \* 11/2021 Lin ..... D14/433  
D938,425 S \* 12/2021 Zhang ..... D14/433  
D939,507 S \* 12/2021 Li ..... D14/433

\* cited by examiner

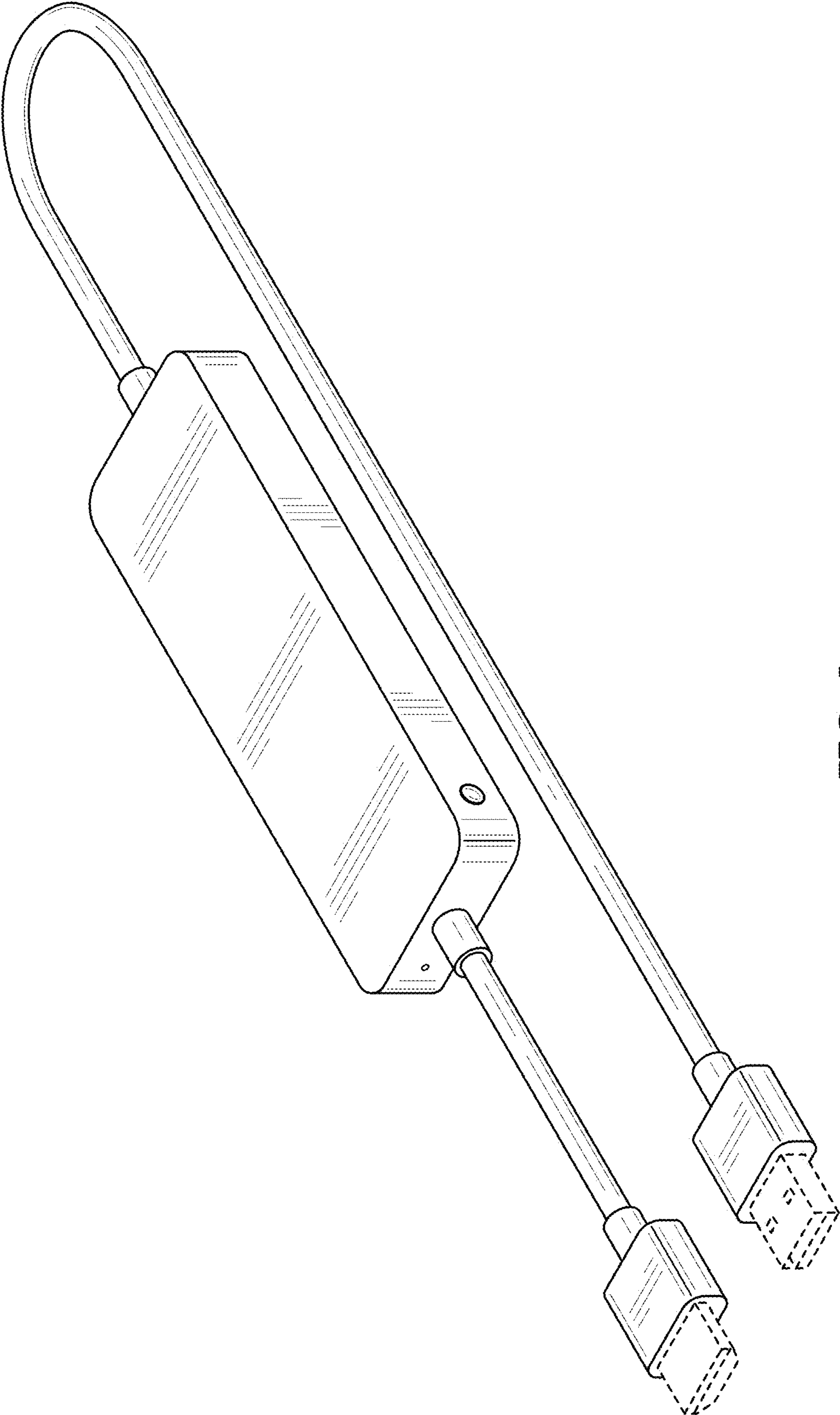


FIG. 1

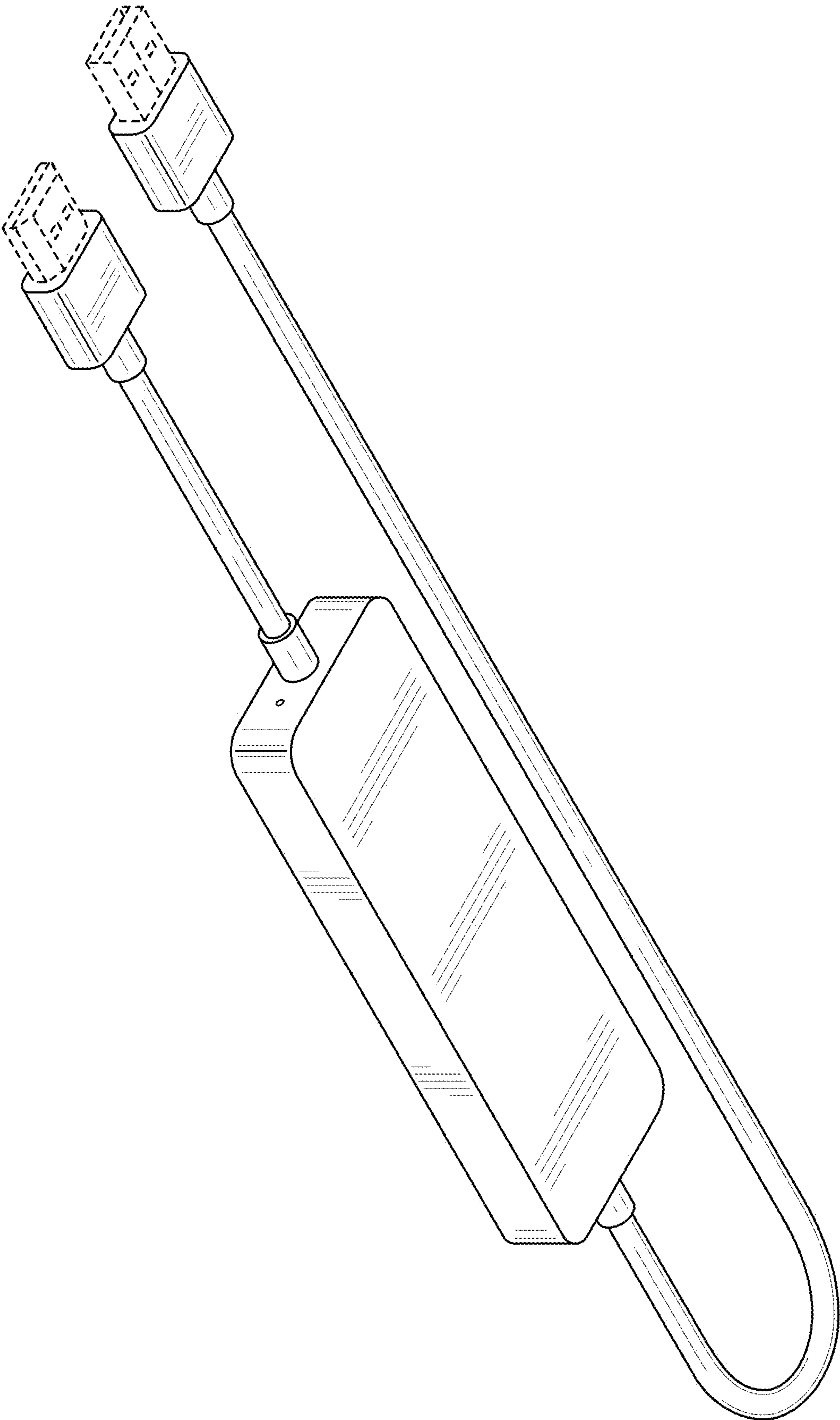


FIG. 2

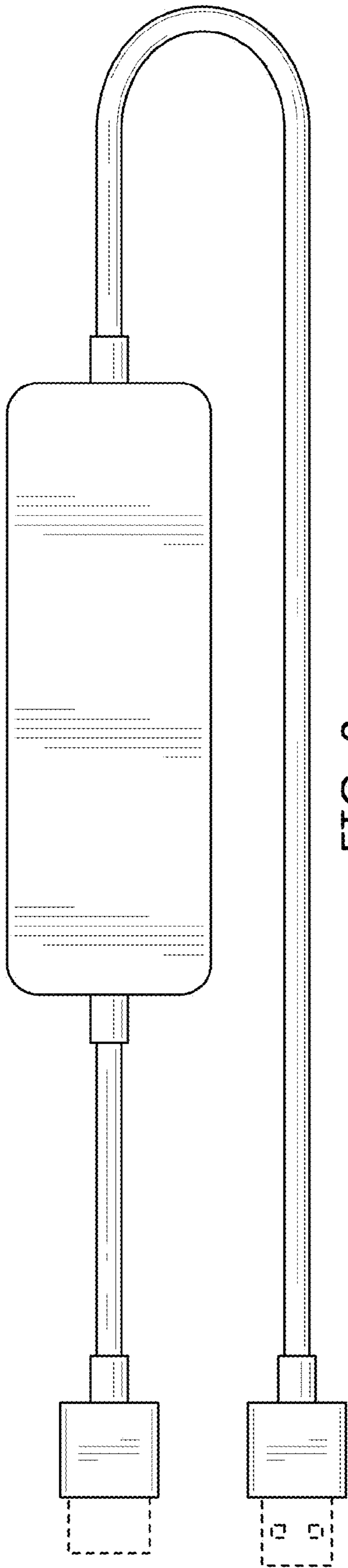


FIG. 3

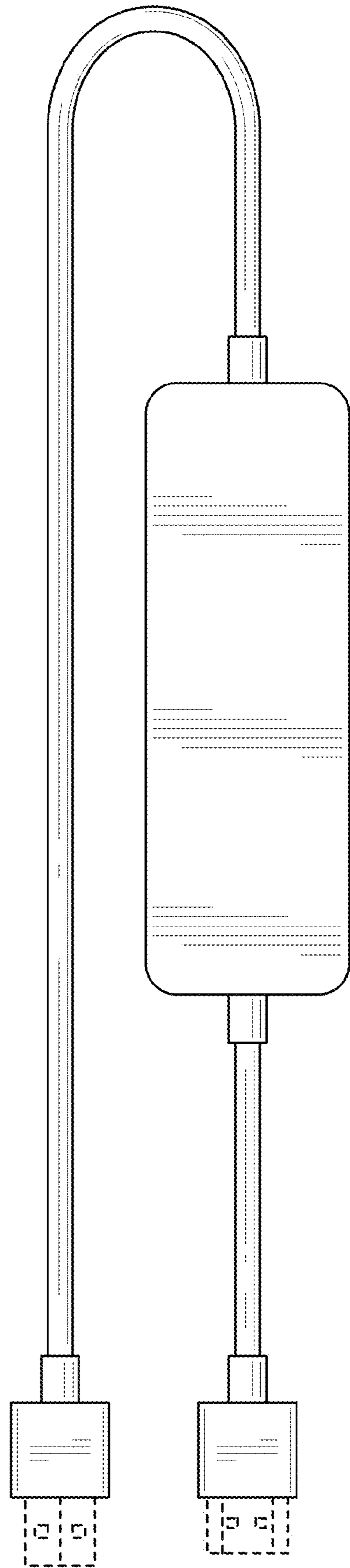


FIG. 4

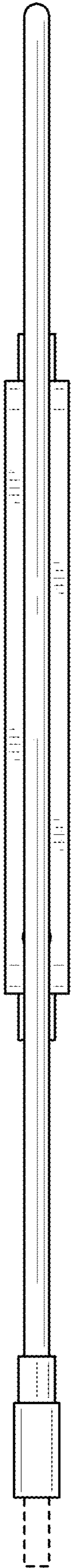


FIG. 5



FIG. 6

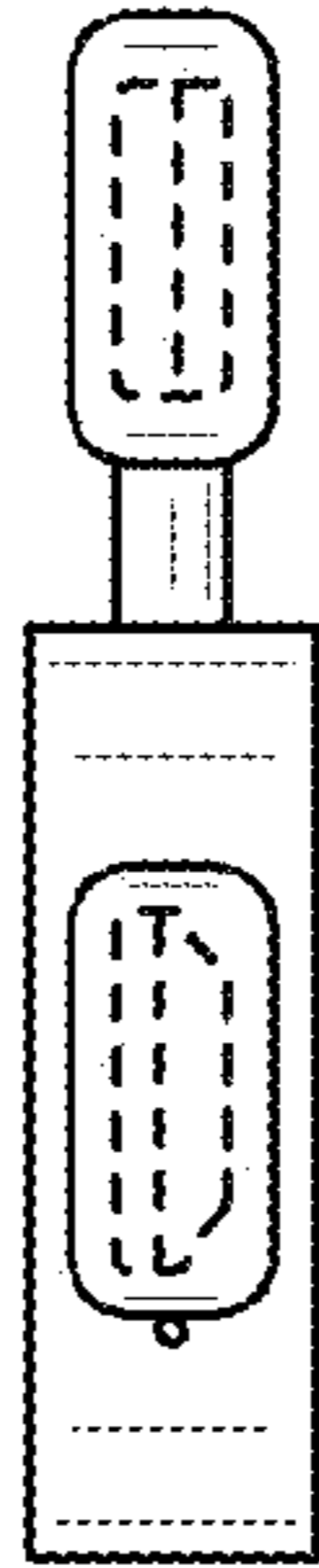


FIG. 7

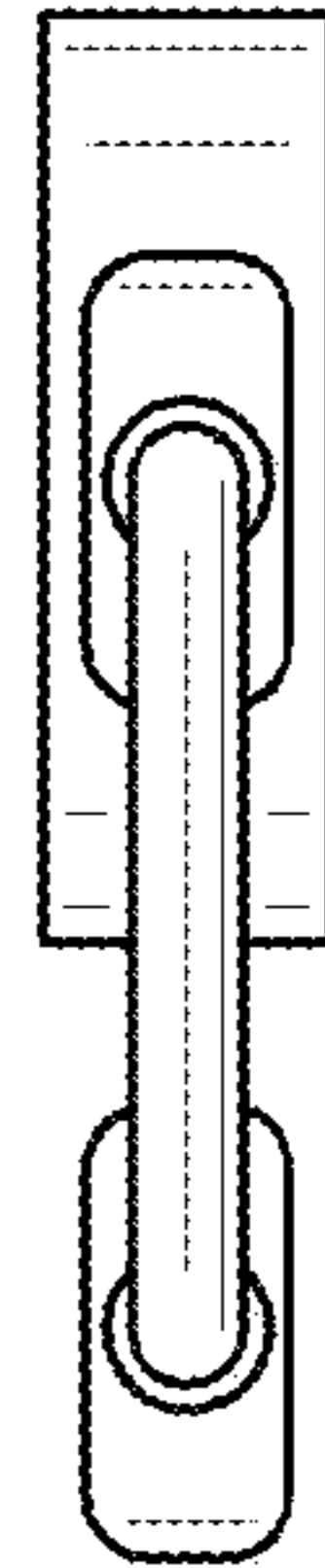


FIG. 8

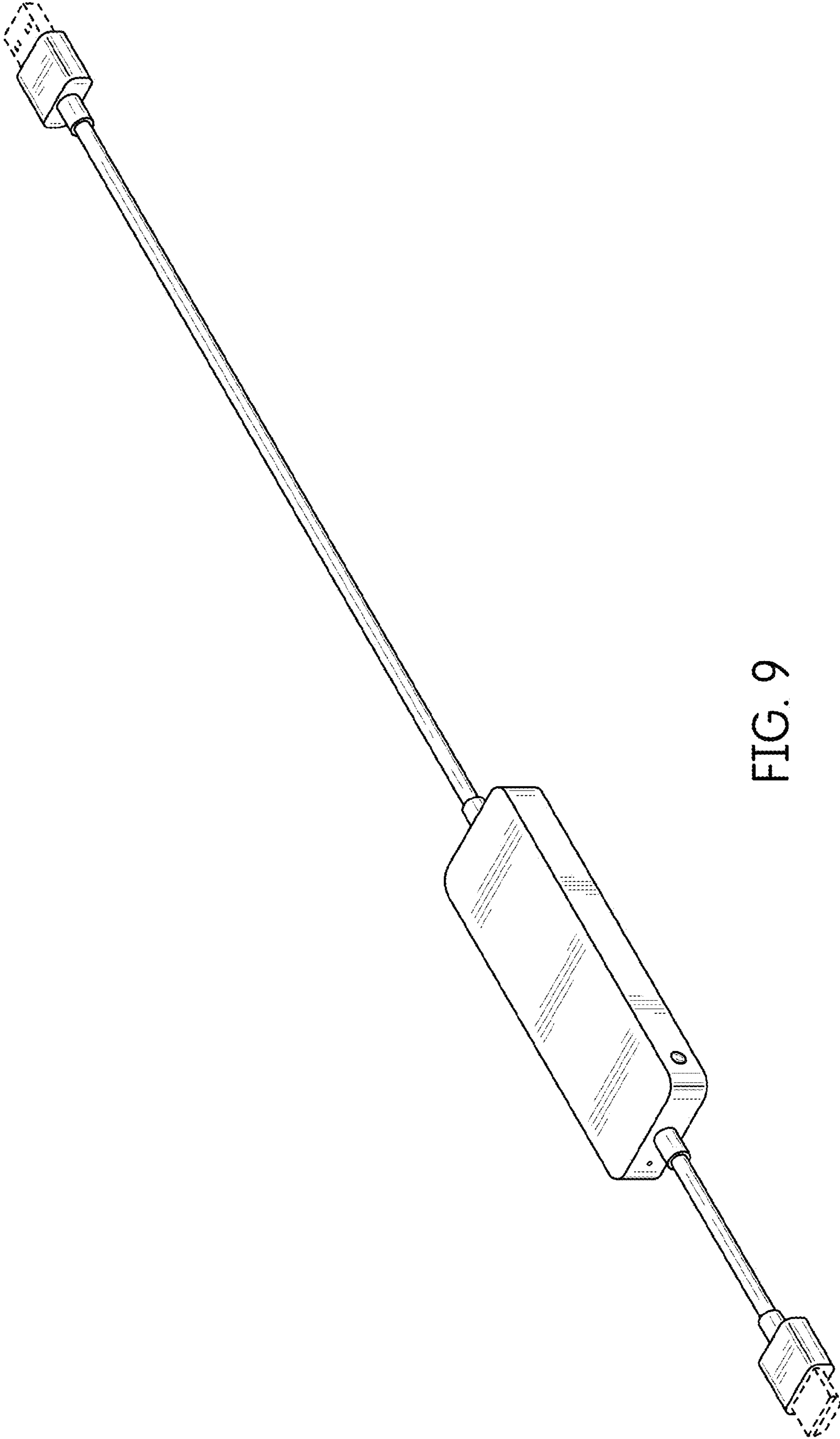


FIG. 9

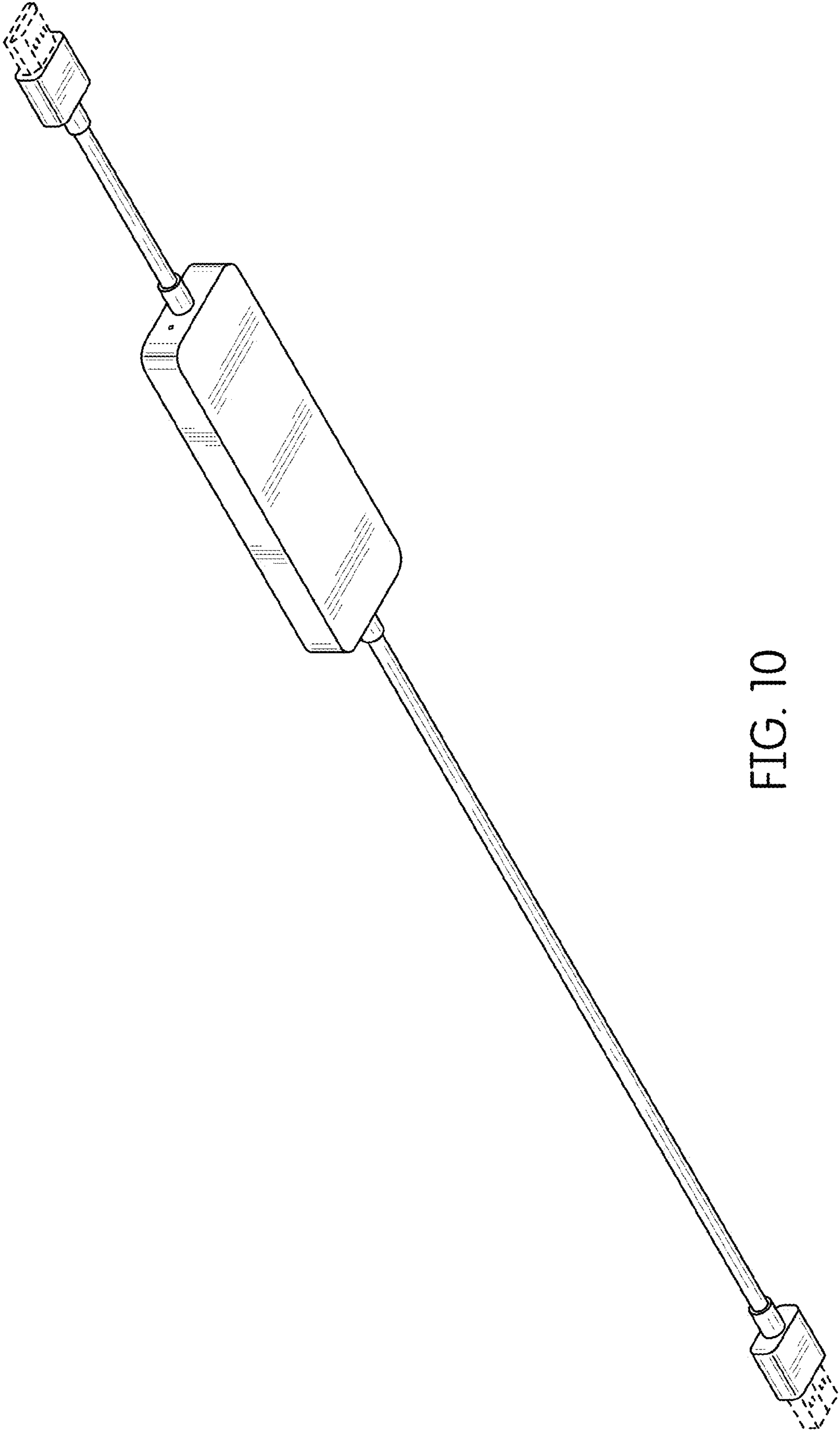


FIG. 10



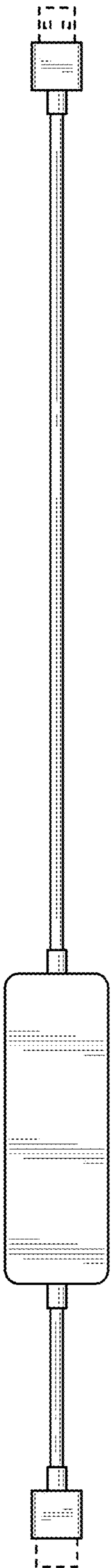


FIG. 11

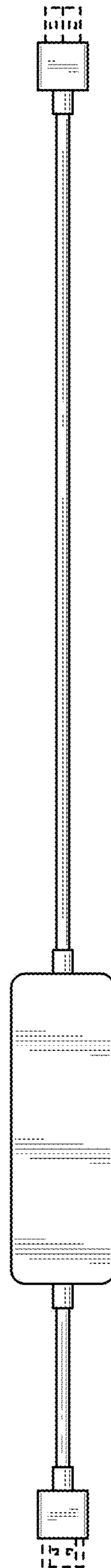


FIG. 12

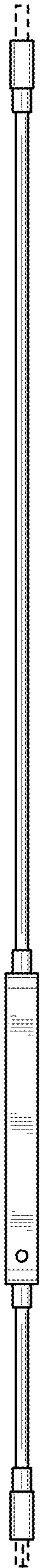


FIG. 13

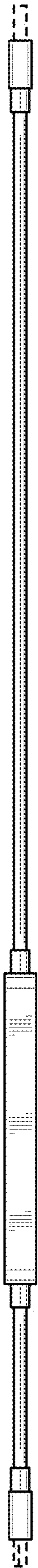


FIG. 14



FIG. 15



FIG. 16