



US00D971215S

(12) **United States Design Patent** (10) **Patent No.:** **US D971,215 S**
Su (45) **Date of Patent:** **** Nov. 29, 2022**

(54) **GAME CONTROLLER**

2203/0331; G01S 13/92; G01S 13/91;
G01S 13/93; G01S 13/931; G01S
2013/932

(71) Applicant: **Wenzhi Su**, Wenchang (CN)

See application file for complete search history.

(72) Inventor: **Wenzhi Su**, Wenchang (CN)

(**) Term: **15 Years**

(56) **References Cited**

(21) Appl. No.: **29/824,775**

U.S. PATENT DOCUMENTS

(22) Filed: **Jan. 27, 2022**

D163,654 S * 6/1951 Vahala D22/104
D252,694 S * 8/1979 Schiermeier D22/108
D272,938 S * 3/1984 Mueschke, Jr. F41C 23/10
D22/104

(51) **LOC (13) Cl.** **14-02**

(Continued)

(52) **U.S. Cl.**

USPC **D14/418**; D14/388; D14/400; D21/333;
D21/574

OTHER PUBLICATIONS

(58) **Field of Classification Search**

USPC D21/301, 324–327, 331–333, 385, 401,
D21/567–575; D22/100–108;
D14/412–413, 415–416, 418, 426–428,
D14/430, 388, 400; D10/46, 98

Hantnool, 2 Pack VR Game Gun for Oculus Quest 2, posted at
Amazon, posting date May 24, 2022. Site visited Sep. 26, 2022.
URL: <<https://www.amazon.com/dp/B0B23ZDVQW/>> (Year: 2022).*

(Continued)

CPC A63H 33/009; A63H 33/28; A63H 33/30;
A63H 33/3072; A63H 33/36; A63H
2200/00; F41C 3/005; F41C 3/06; F41C
3/08; F41C 3/10; F41C 3/12; F41C 3/00;
F41C 3/14; F41C 3/16; F41C 7/00; F41C
7/02; F41C 7/025; F41C 7/04; F41C
7/06; F41C 7/11; F41C 7/12; F41C 9/00;
F41C 27/00; F41C 33/08; F41B 7/08;
F41B 11/89; F41B 5/00; F41B 5/0005;
F41B 5/001; F41B 5/0026; F41B 5/0031;
F41B 5/0052; F41B 5/0073; F41B
5/0094; F41B 5/10; F41B 5/12; F41B
5/123; F41B 5/126; F41B 1/00; F41B
9/00; F41B 9/005; F41B 9/0053; F41B
9/0009; F41B 9/0012; F41B 9/0028;
F41B 9/0031; F41B 9/0078; F41B
9/0081; F41B 9/0096; A63F 13/837;
A63F 13/92; A63F 13/98; A63F 13/00;
A63F 13/20; A63F 13/24; A63F 13/245;
A63F 9/02; A63F 9/0252; A63F
2009/0256; A63F 2009/0265; A63F
2009/026; G06F 3/011; G06F 3/014;
G06F 3/02; G06F 3/0202; G06F

Primary Examiner — Kathleen L Jones

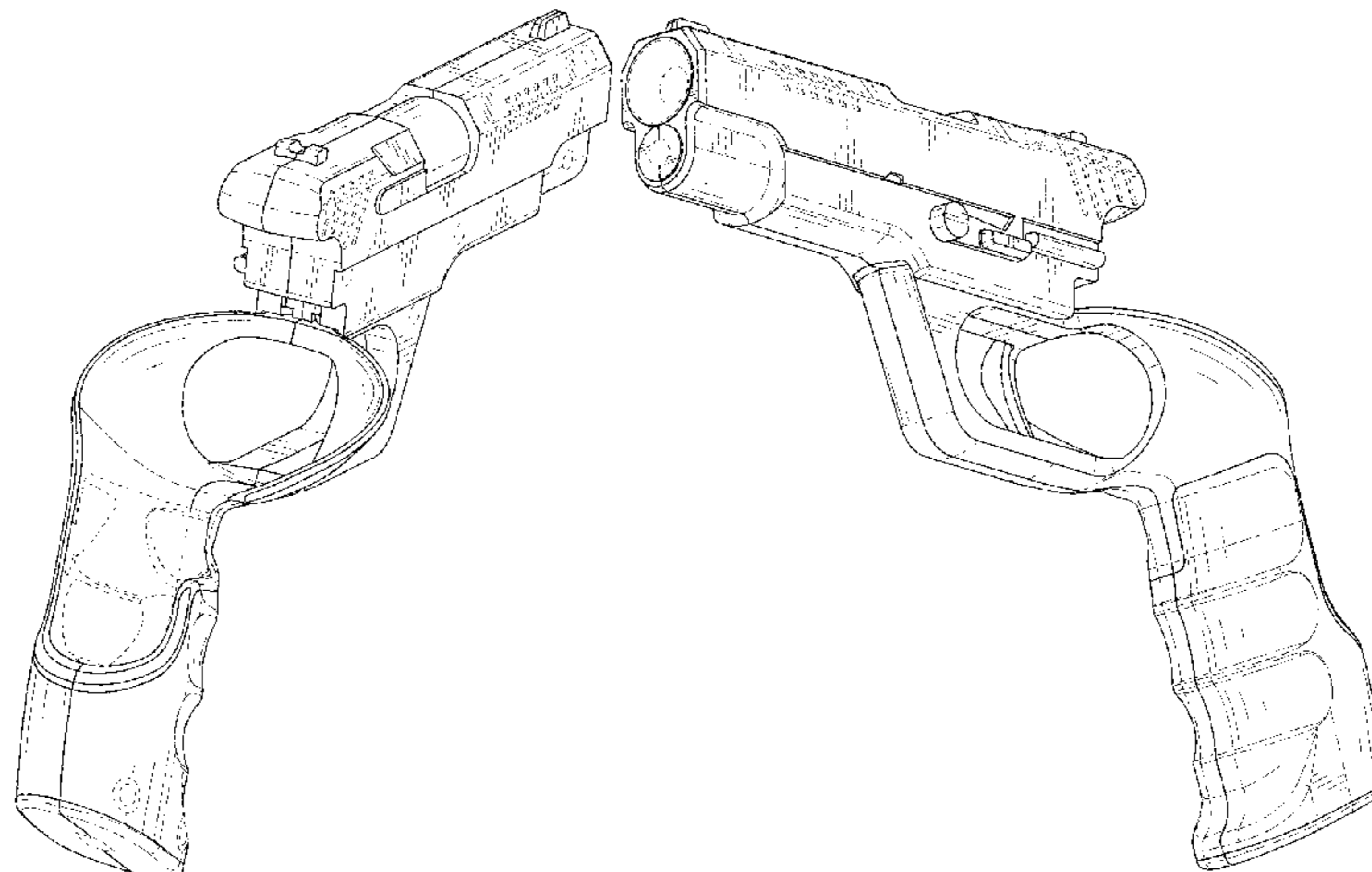
(57) **CLAIM**

The ornamental design for a game controller, as shown and
described.

DESCRIPTION

FIG. 1 is a perspective view of a game controller showing
my new design;
FIG. 2 is another perspective view thereof;
FIG. 3 is a front elevational view thereof;
FIG. 4 is a rear elevational view thereof;
FIG. 5 is a left side elevational view thereof;
FIG. 6 is a right side elevational view thereof;
FIG. 7 is a top plan view thereof;
FIG. 8 is a bottom plan view thereof;
FIG. 9 is a perspective view of the game controller shown
in an alternate broken line environment of use; and,
FIG. 10 is an exploded perspective view thereof.

(Continued)



The broken lines in the drawings depict portions of the game controller that form no part of the claimed design.

1 Claim, 10 Drawing Sheets

(56)

References Cited

U.S. PATENT DOCUMENTS

D482,414 S	*	11/2003	Carpenter	D21/573
D642,226 S	*	7/2011	Walterscheid	D21/453
D686,622 S	*	7/2013	Rey	D15/28
D702,798 S	*	4/2014	Booth	D3/222
D720,350 S	*	12/2014	Haubrich	D14/415
D733,829 S	*	7/2015	Chvala	D22/108
D733,830 S	*	7/2015	Chvala	F41C 23/10 D22/108
D747,721 S	*	1/2016	Gentle	D15/28
D779,487 S	*	2/2017	Rothfuß	D13/168

D783,722 S		4/2017	Peng	
D895,757 S	*	9/2020	Leis	D21/571
D905,165 S		12/2020	Adams et al.	
D959,434 S	*	8/2022	Gathier	D14/412

OTHER PUBLICATIONS

X-Super Home, Pistol Grips for Oculus Quest 2, posted at Amazon, posting date Mar. 15, 2021. Site visited Sep. 26, 2022. URL: <<https://www.amazon.com/X-super-Controllers-Accessories-Compatible-Sunshine/dp/B08YYLZFXQ/>> (Year: 2021).*

AMVR, Gun Controller for Meta/Oculus Quest 2, posted at Amazon, posting date Jan. 17, 2022. Site visited Sep. 26, 2022. URL: <<https://www.amazon.com/dp/B09QKRRPD1/>> (Year: 2022).*

NIUVR, VR Game Gun-Mould Grip Cover Compatible with Meta/Oculus Quest 2 Controllers, posted at Amazon, posting date Jan. 16, 2021. Site visited Sep. 26, 2022. URL: <<https://www.amazon.com/NIUVR-Compatible-Controllers-Accessories-Pistol-Mold/dp/B08T7K5KTG?th=1>> (Year: 2021).*

* cited by examiner

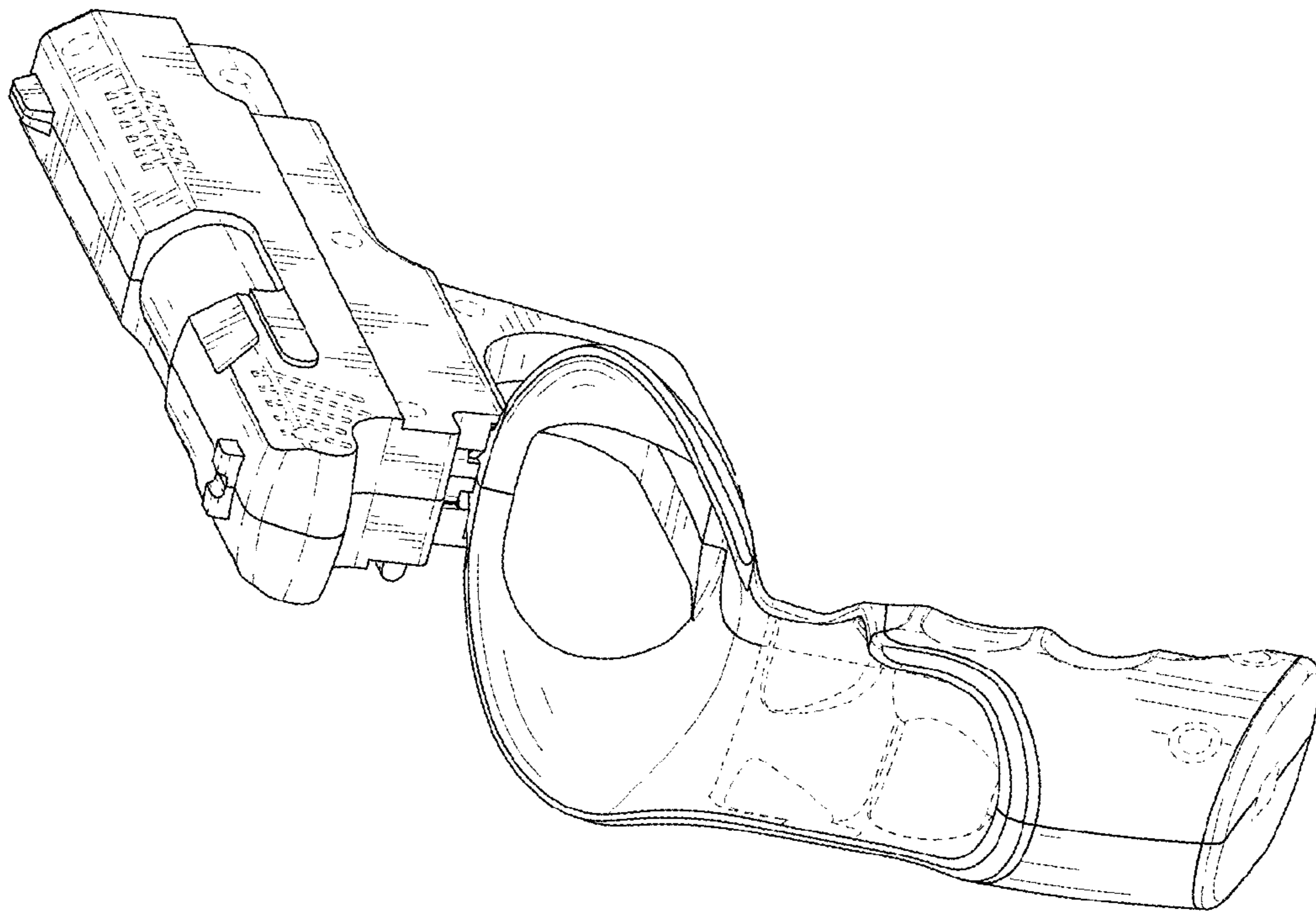


FIG. 1

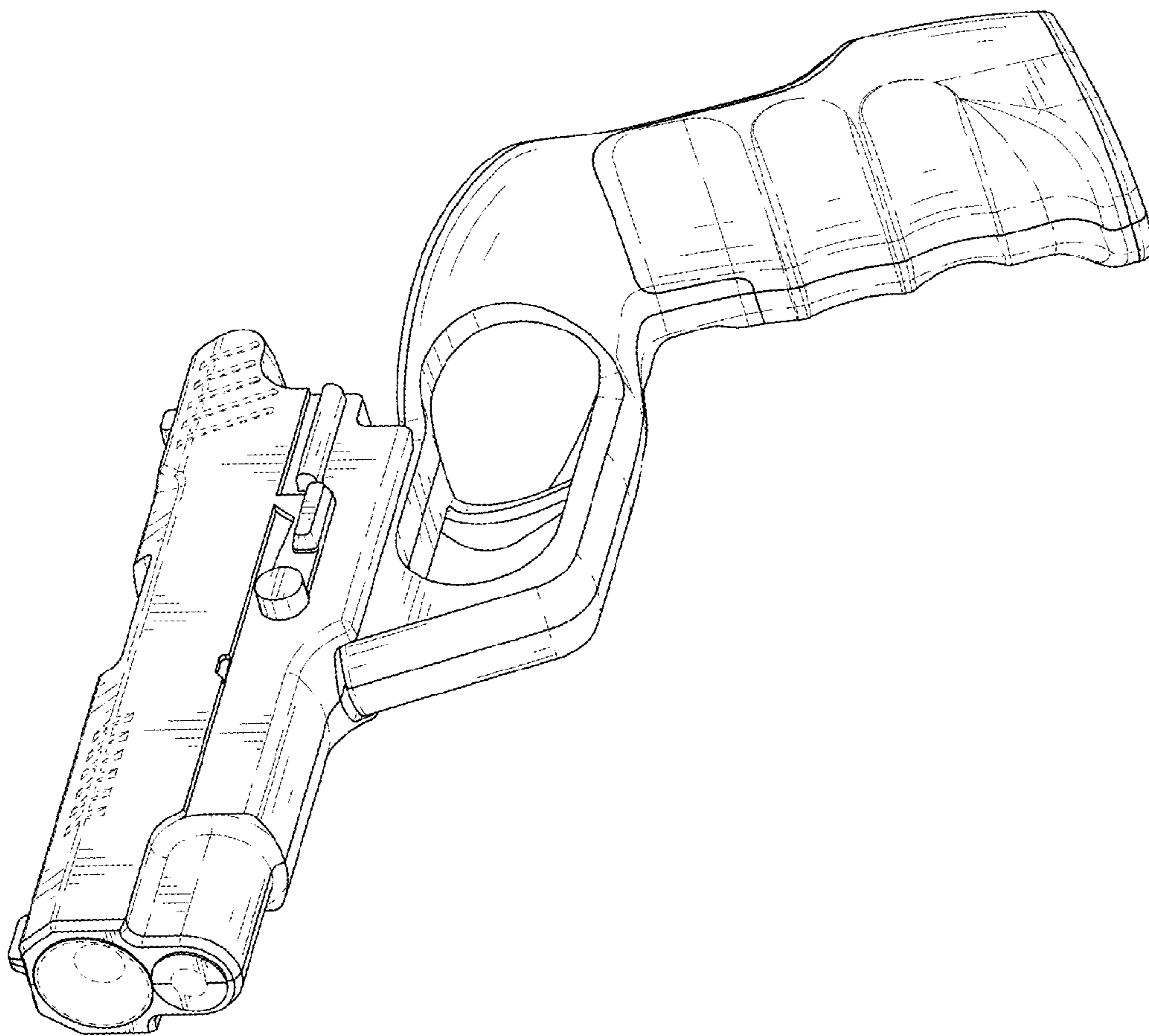


FIG. 2

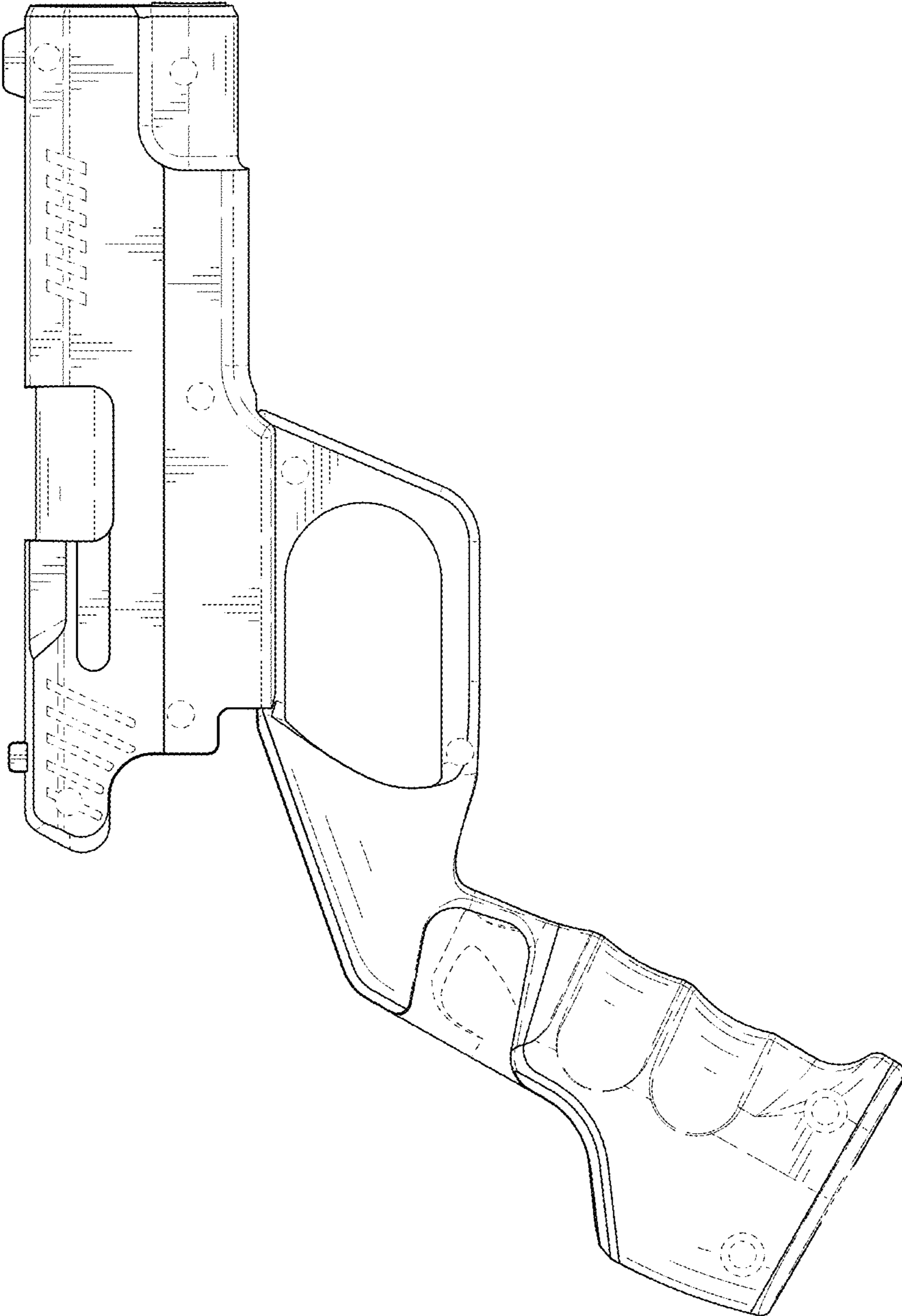


FIG. 3

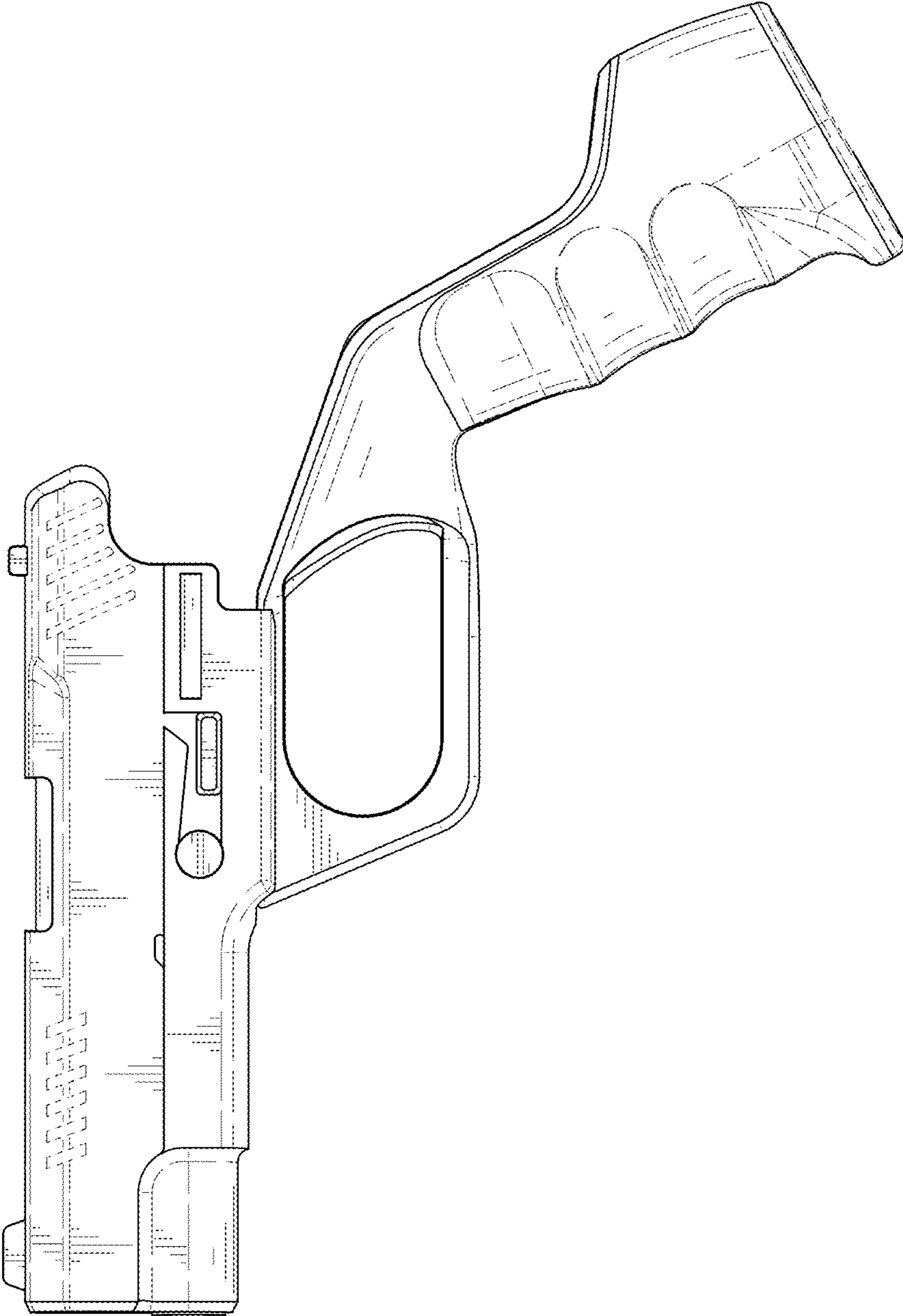


FIG. 4

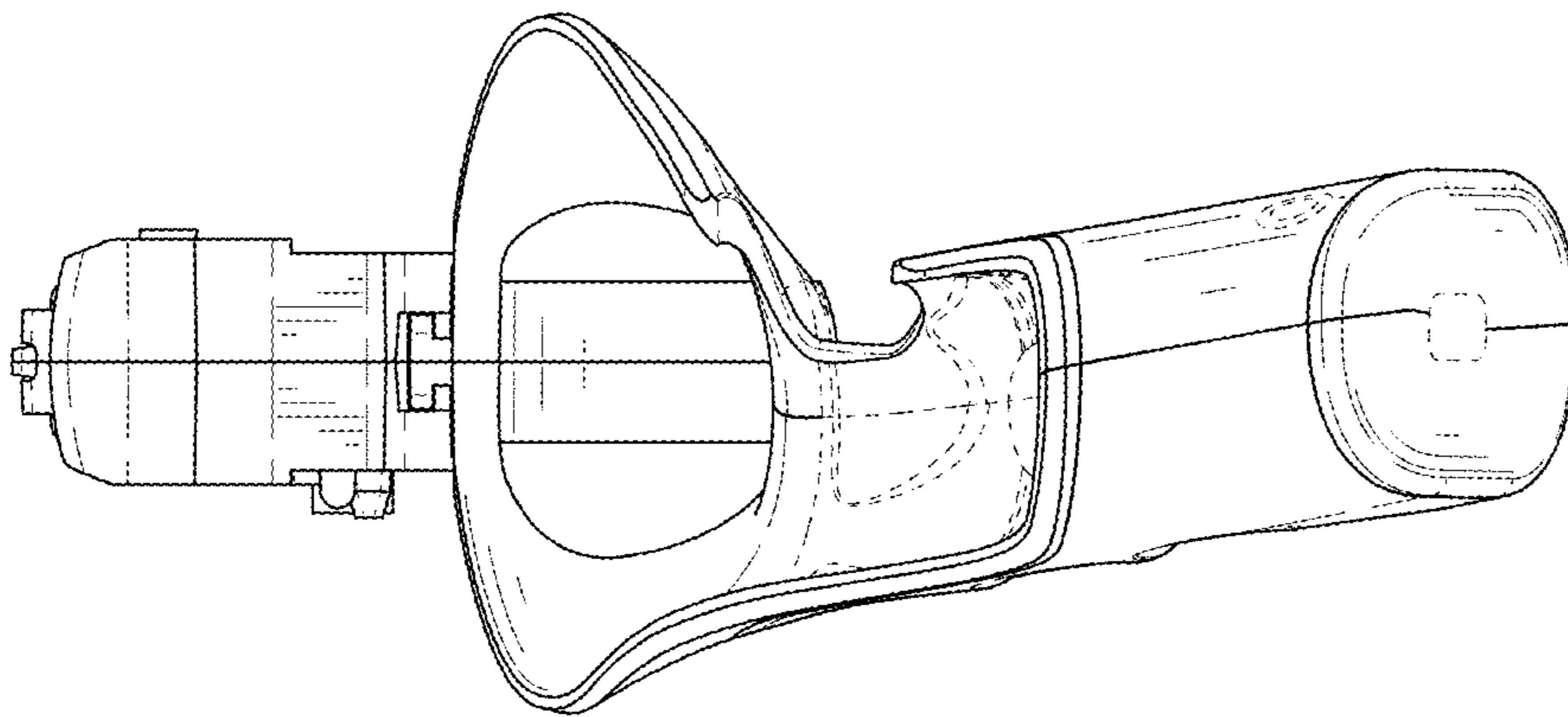


FIG. 5

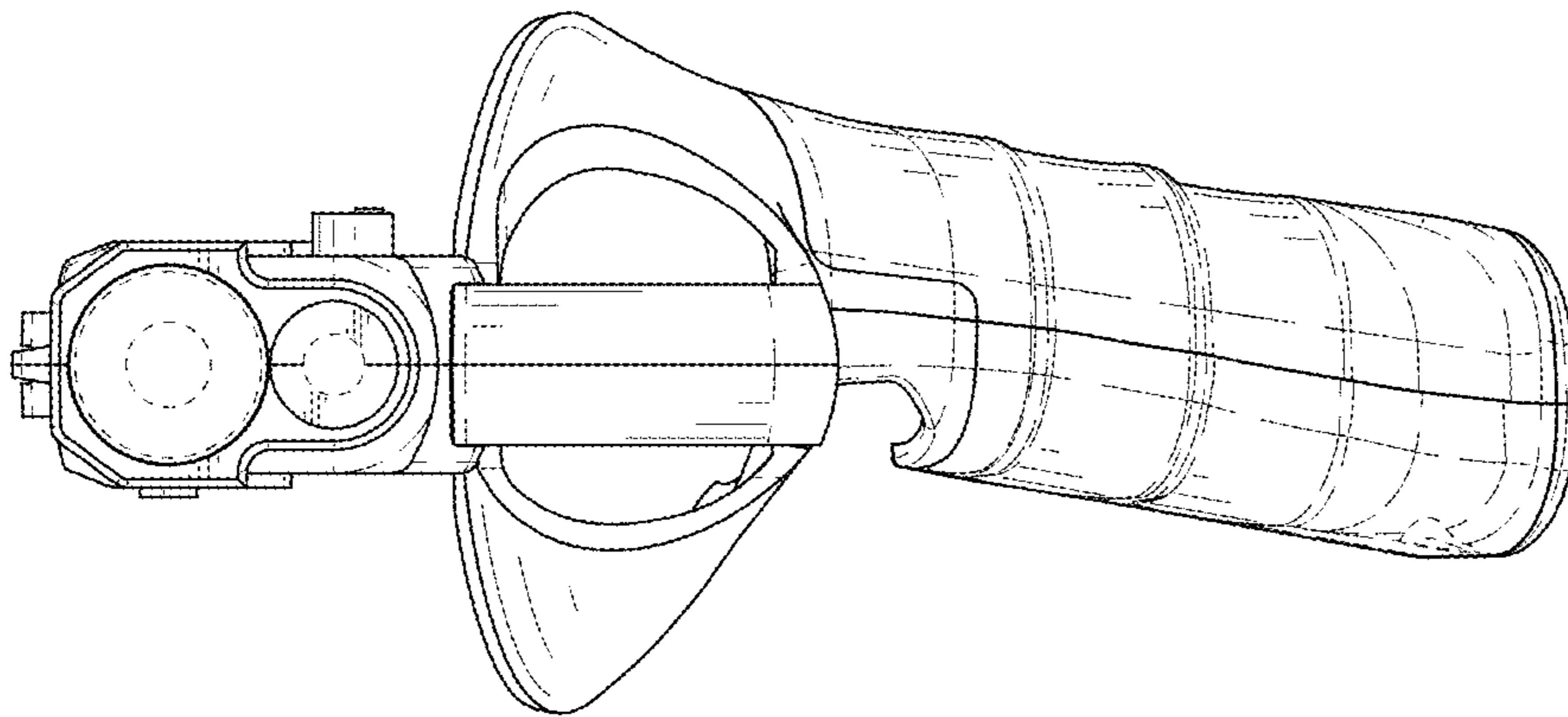


FIG. 6

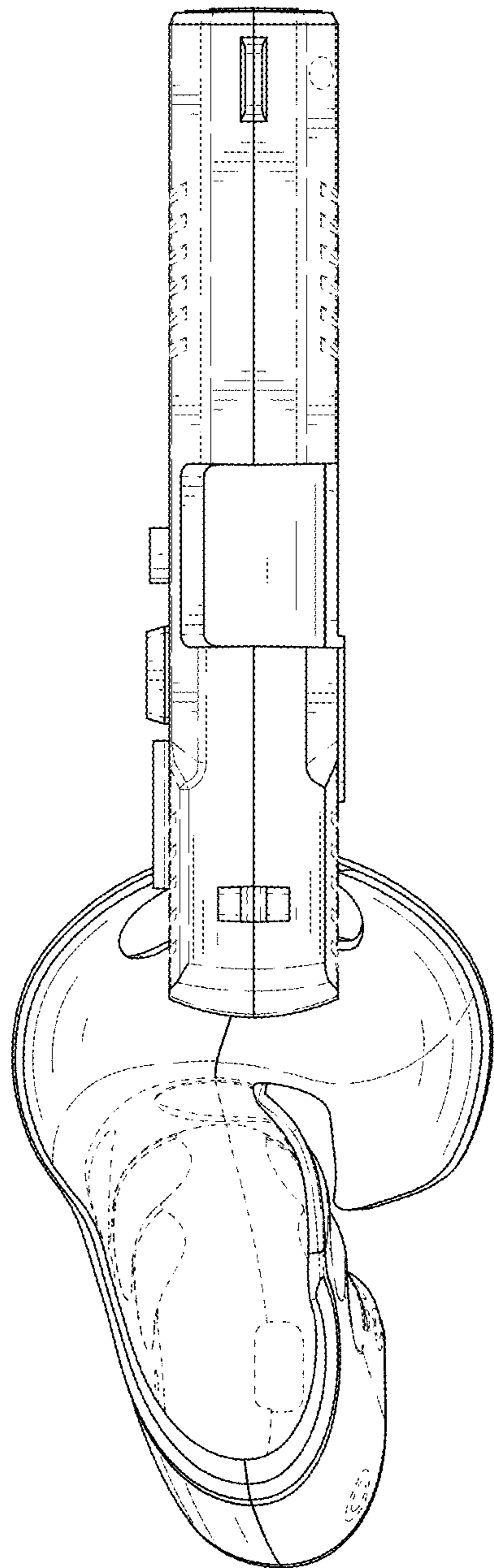


FIG. 7

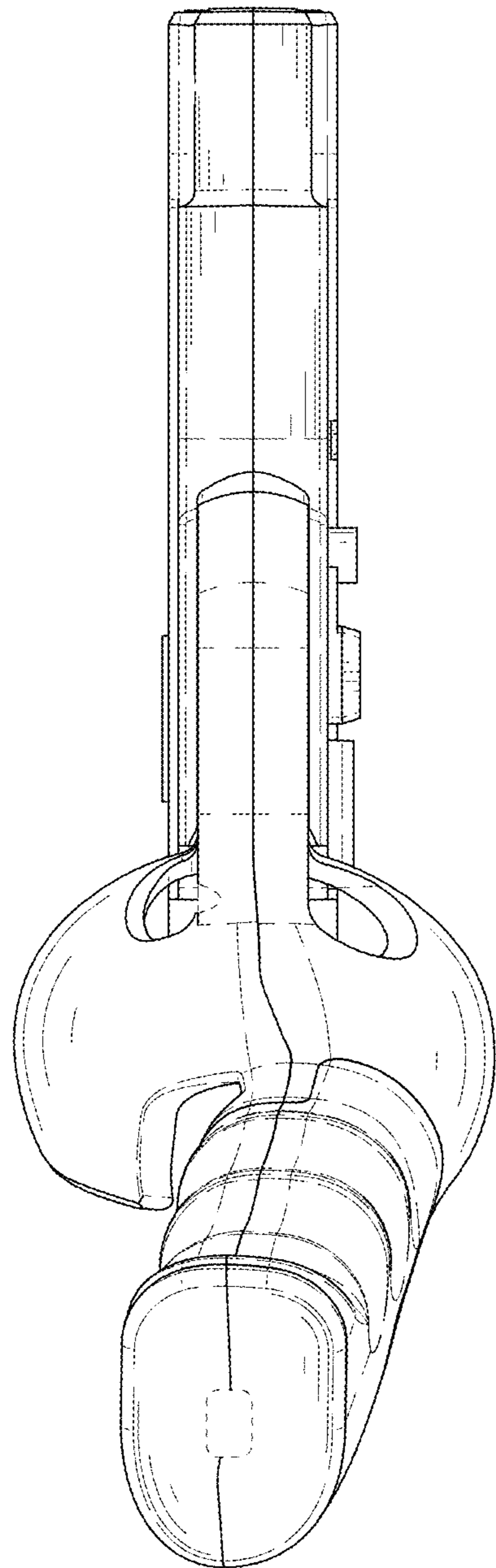


FIG. 8

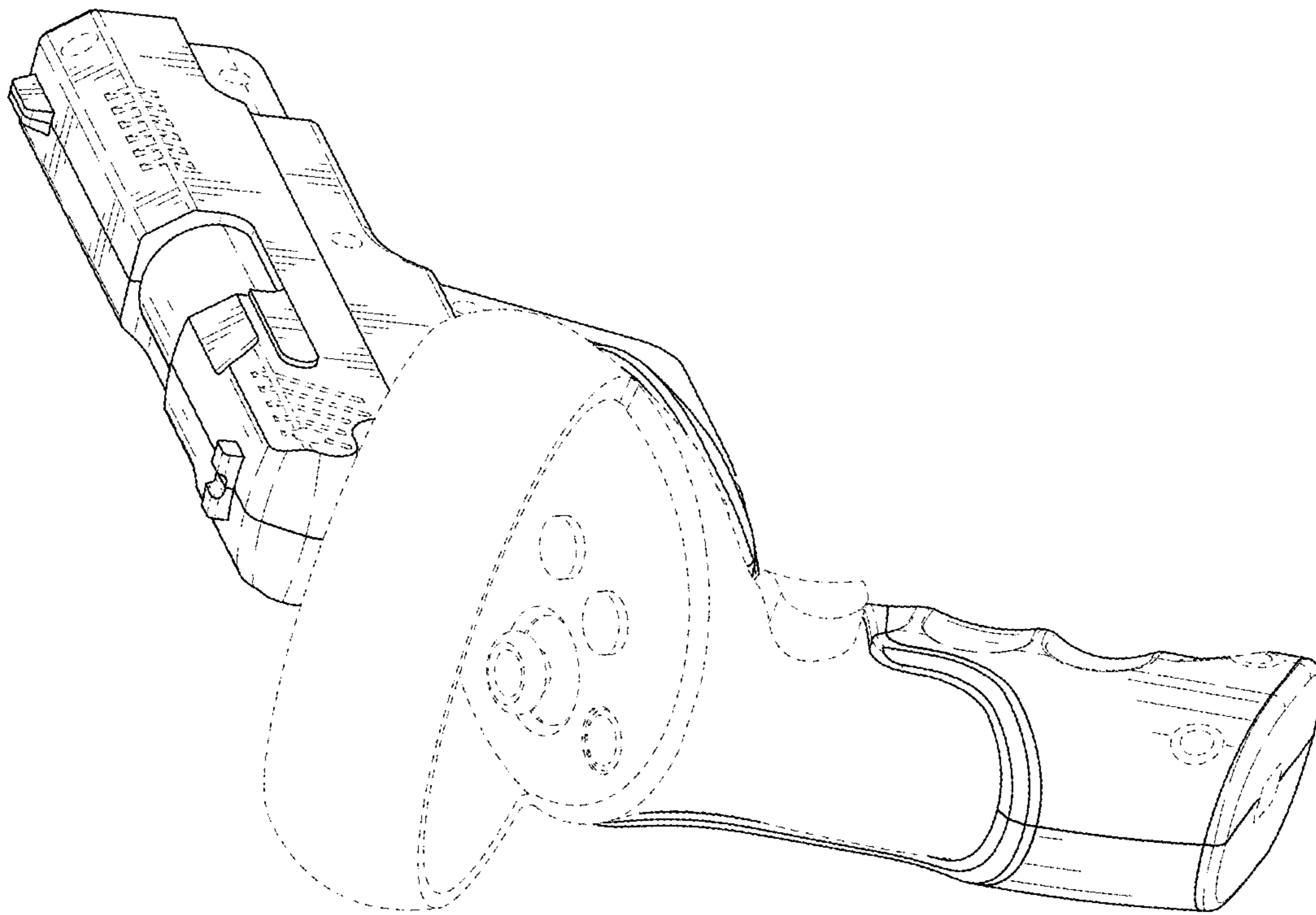


FIG. 9

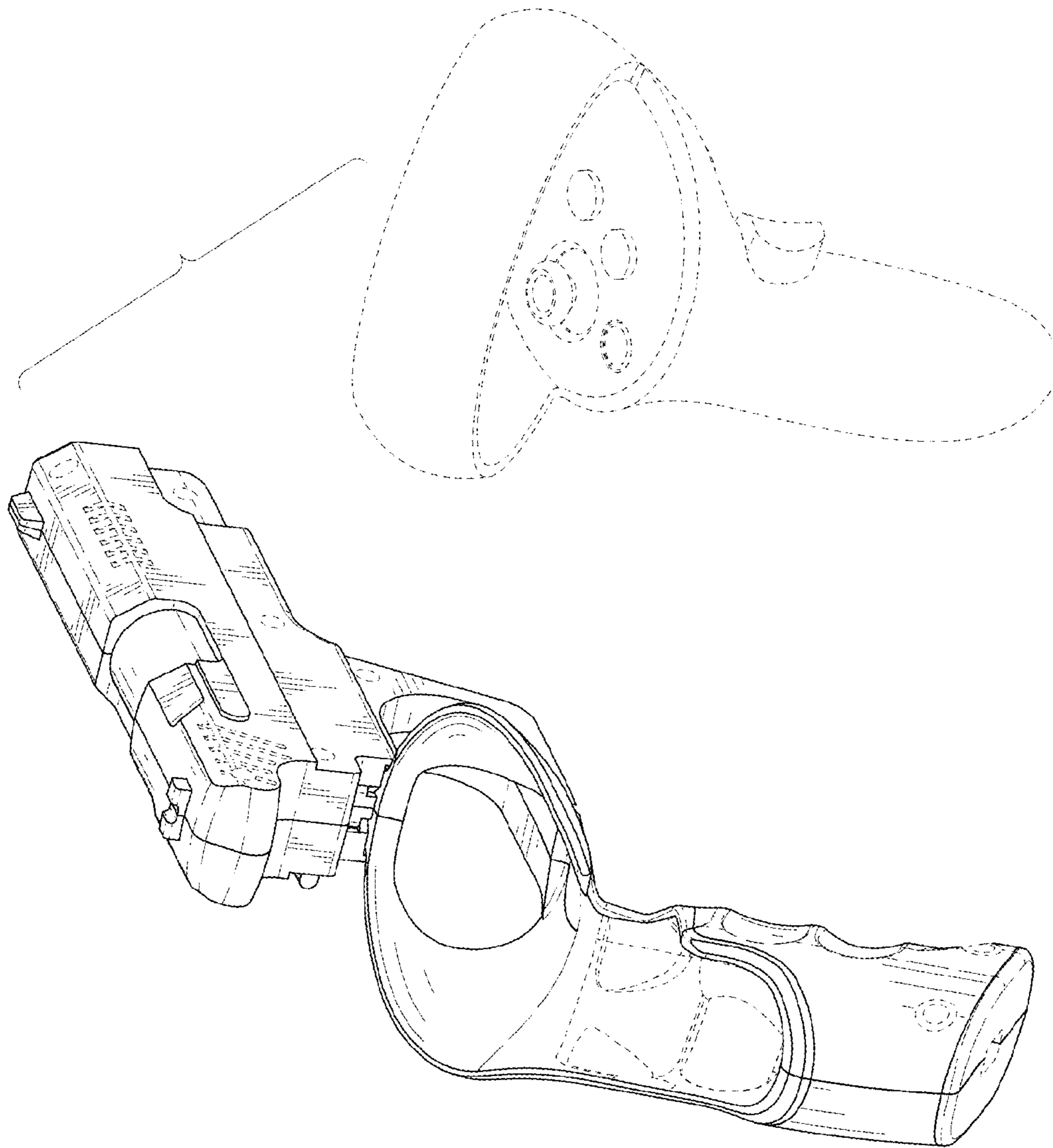


FIG. 10