



US00D971214S

(12) **United States Design Patent**
Zust

(10) **Patent No.:** **US D971,214 S**
(45) **Date of Patent:** **** Nov. 29, 2022**

(54) **CONTROLLER**

(71) Applicant: **Adam Zust**, Cincinnati, OH (US)

(72) Inventor: **Adam Zust**, Cincinnati, OH (US)

(**) Term: **15 Years**

(21) Appl. No.: **29/725,173**

(22) Filed: **Feb. 22, 2020**

(51) **LOC (13) Cl.** **14-02**

(52) **U.S. Cl.**

USPC **D14/415**; D14/413

(58) **Field of Classification Search**

USPC D14/155–159, 160–173, 187–188,
D14/189–198, 203.1–203.8, 204–216,
D14/217–222, 225–229, 257–258,
D14/400–416, 426–431, 496, 900–902;
D16/131–133, 135, 221–222, 227,
D16/230–231, 234; D18/4.1–4.6;
D21/324–332, 403, 477, 512–513, 516,
D21/566; D12/174–180

CPC H04R 1/02; H04R 1/021; H04R 1/025;
H04R 1/026; H04R 1/028; H04R 1/06;
H04R 1/105; H04R 1/323; H04R 1/403;
H04R 1/2803; H04R 1/2834

See application file for complete search history.

(56) **References Cited**

U.S. PATENT DOCUMENTS

D130,204 S * 10/1941 Scherr D16/135
D212,938 S * 12/1968 Dudley D12/179
5,591,082 A 1/1997 Jensen et al.
6,741,233 B1 5/2004 Swan et al.
7,088,830 B2 * 8/2006 Norris H04R 27/04
381/75
10,000,268 B1 6/2018 Poirier et al.

D821,997 S * 7/2018 Oshima D14/187
D890,115 S * 7/2020 Brach D14/187
10,835,815 B1 * 11/2020 Zust A63F 13/24
2012/0299829 A1 * 11/2012 Evans A63F 13/42
345/161

FOREIGN PATENT DOCUMENTS

CN 304572174 * 4/2018
CN 306596532 * 6/2021
CN 307054528 * 1/2022
CN 307060332 * 1/2022

OTHER PUBLICATIONS

Increasing Accessibility: UC grad invents one-handed video game controller, Dec. 9, 2021, [retrieved Feb. 7, 2022], Retrieved from Internet, URL: <<https://local12.com/news/local/increasing-accessibility-uc-grad-invents-one-handed-video-game-controller-cincinnati>> (Year: 2021).*

(Continued)

Primary Examiner — Messina L Smith

Assistant Examiner — Aram Kwon

(74) *Attorney, Agent, or Firm* — Christopher Mayle; Bold IP, PLLC

(57) **CLAIM**

The ornamental design for a controller, as shown.

DESCRIPTION

FIG. 1 is a top perspective view of a controller in accordance with the present invention;

FIG. 2 is a bottom perspective view thereof;

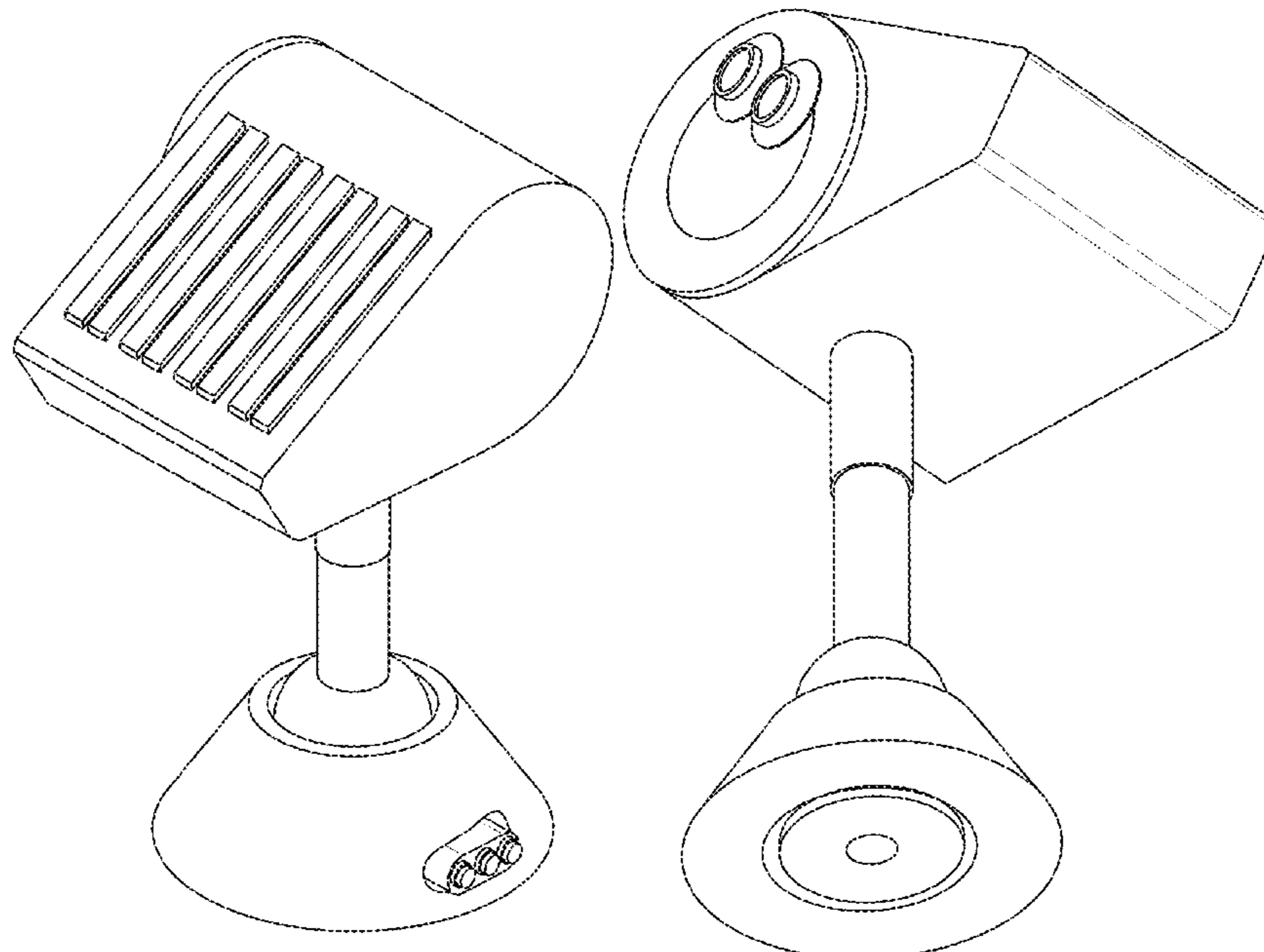
FIG. 3 is a front view thereof;

FIG. 4 is a back view thereof;

FIG. 5 is a left view thereof; and,

FIG. 6 is a right view thereof.

1 Claim, 6 Drawing Sheets



(56)

References Cited

OTHER PUBLICATIONS

Increasing Accessibility: UC grad invents one-handed videogame controller, Dec. 9, 2021, [retrieved Feb. 7, 2022], Retrieved from Internet, URL: <<https://star64.tv/newsletter-daily/increasing-accessibility-uc-grad-invents-one-handed-video-game-controller-cincinnati>> (Year: 2021).*

One-Handed Retro Game Controller, Oct. 15, 2020, [retrieved Feb. 7, 2022], Retrieved from Internet, URL: <<https://davesgeekyideas.com/2020/10/15/one-handed-retro-game-controller/>> (Year: 2020).*

UC Student Designs One-Handed Game Controller, Aug. 23, 2021, [retrieved Feb. 7, 2022], Retrieved from Internet, URL: <<https://www.wvxu.org/technology/2021-08-23/adam-zust-one-handed-game-controller-for-people-with-disabilities>> (Year: 2021).*

BV-BOMB, date not available, [retrieved Feb. 9, 2022], Retrieved from Internet, URL: <<https://www.behringer.com/product.html?modelCode=P0ESW>> (Year: 2022).*

Hohner sE Electronics Harp Blaster HB52 Harmonica Microphone, review date: Oct. 7, 2020, [retrieved Feb. 9, 2022], Retrieved from

Internet, URL: <<https://www.sweetwater.com/store/detail/HarpBlaster--hohner-se-electronics-harp-blasters-hb52-harmonica-microphone?mrkgadid=3341928500&mrkg%E2%80%A6>> (Year: 2020).*

Vintage Microphone 3D Model, Nov. 12, 2020, [retrieved Feb. 9, 2022], Retrieved from Internet, URL: <<https://www.renderhub.com/3dgonza/vintage-microphone>> (Year: 2020).*

Miller, "Ben Heck refines his one-handed Xbox 360 controller", Mar. 17, 2008. Engadget.com [date accessed: Jun. 30, 2019]: <https://www.engadget.com/2008/03/17/ben-heck-refines-his-one-handed-xbox-360-controller/>.

Heck, "PS4 Single Handed Prototype Complete!", Jan. 26, 2019. Benheck.com [date accessed Jun. 30, 2019]: <https://www.benheck.com/ps4-single-handed-prototype-complete/>.

One handed controller concept, Sep. 18, 2018, Imgur.com [date accessed Jun. 30, 2019]: <https://imgur.com/gallery/ZMIqrMJ/comment/1486165353>.

FT Aviator, Fluidity Tech [date accessed: Jun. 30, 2019]: fluidity.tech.

* cited by examiner

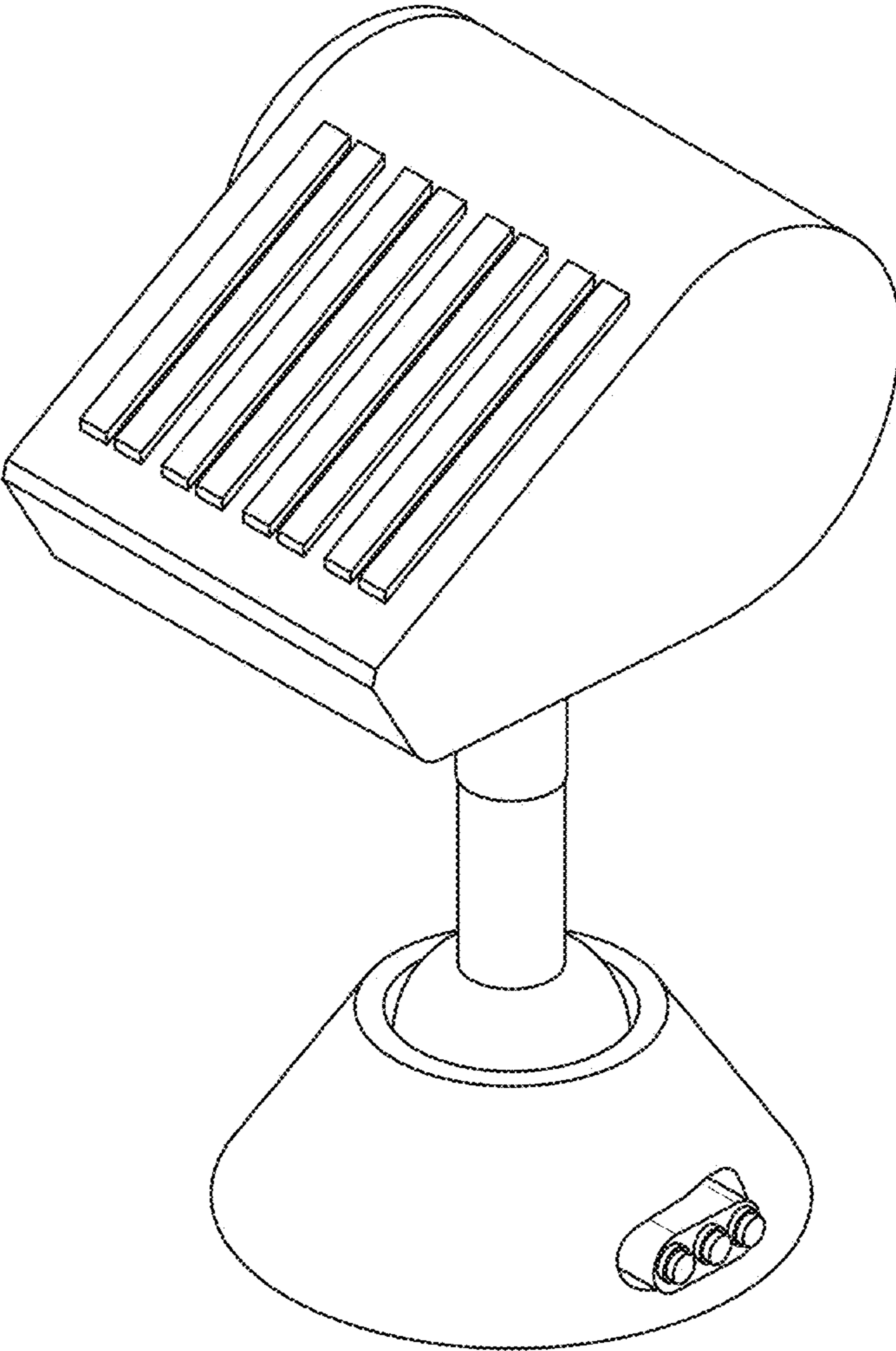


FIG. 1

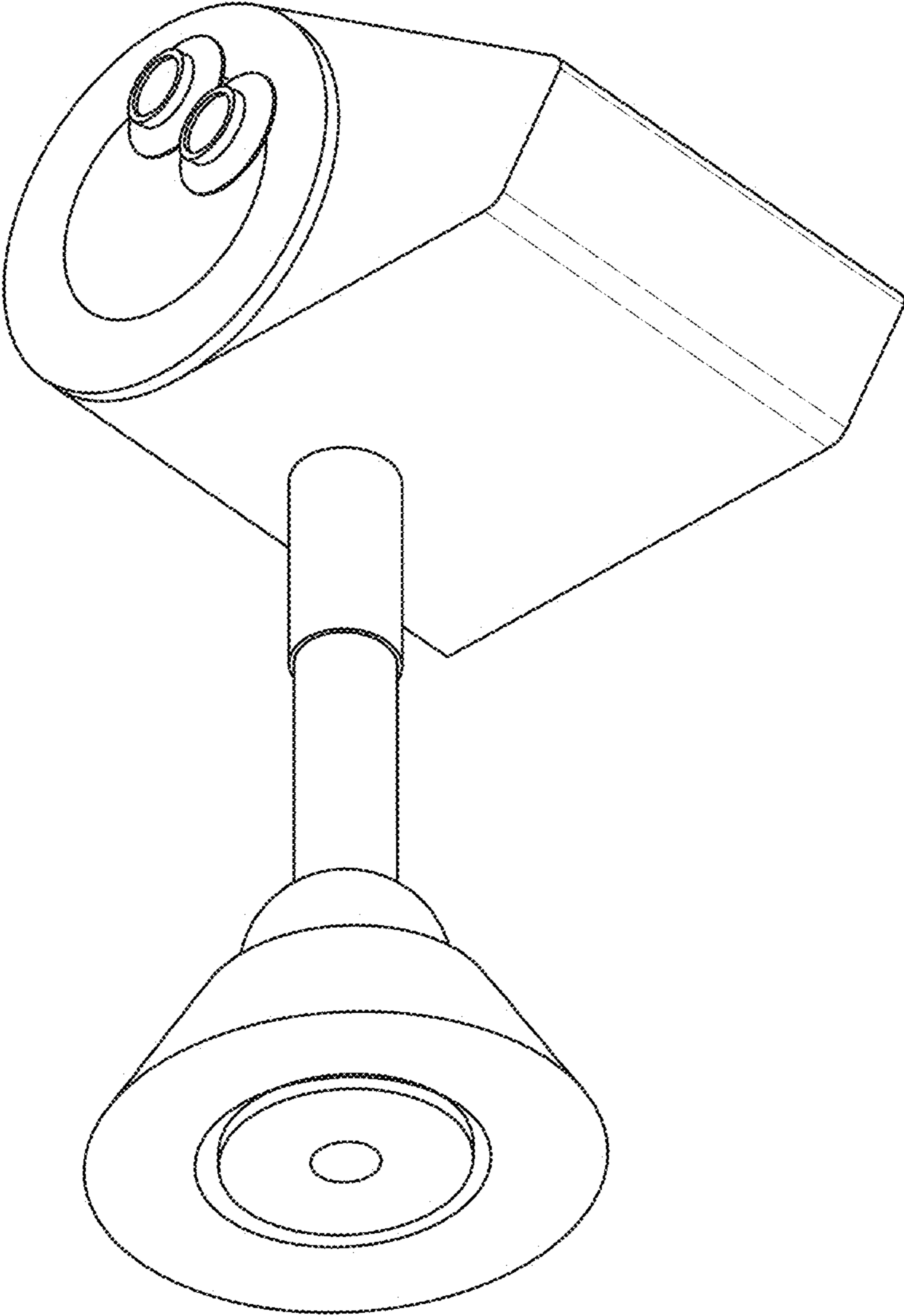


FIG. 2

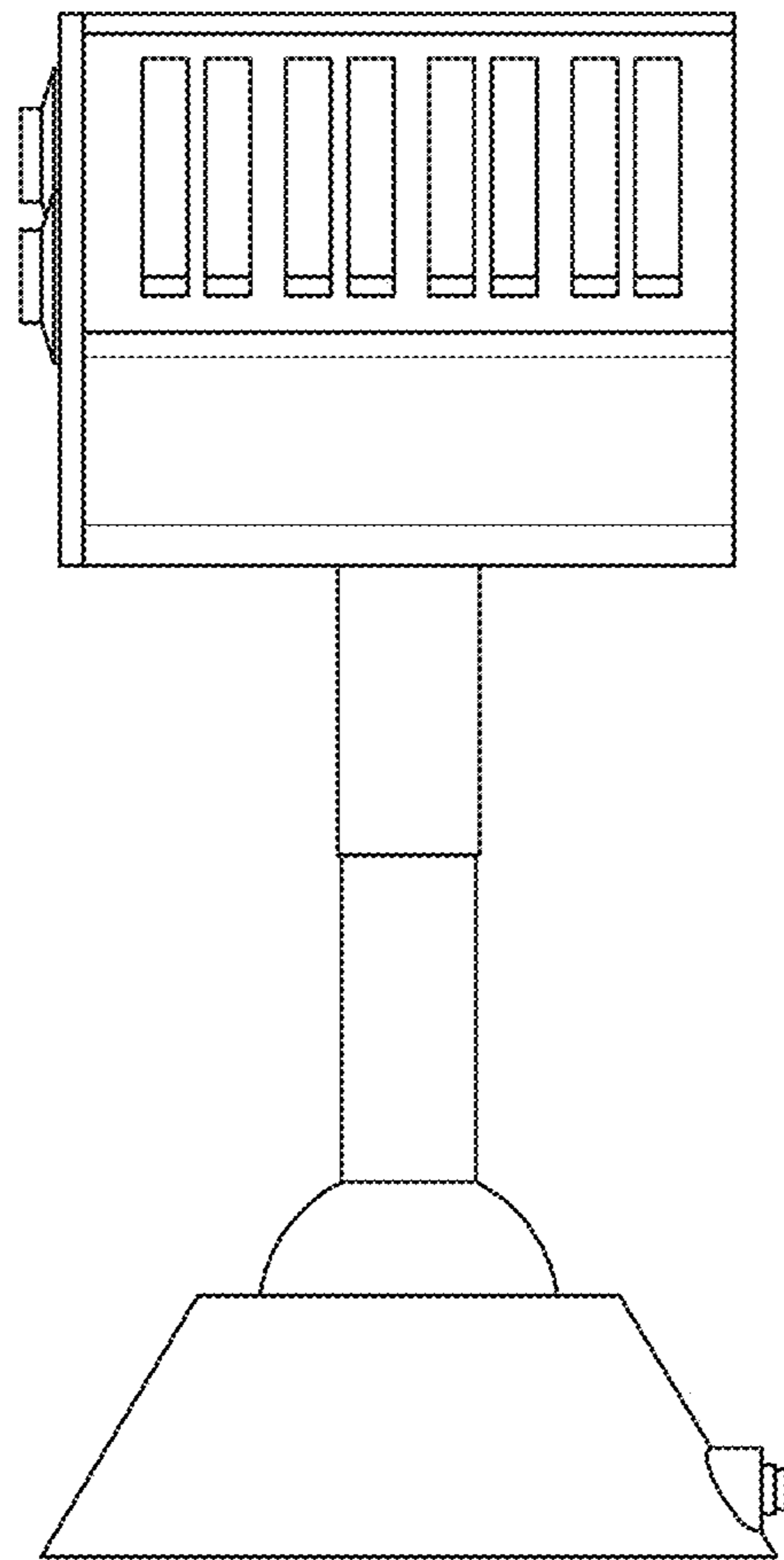


FIG. 3

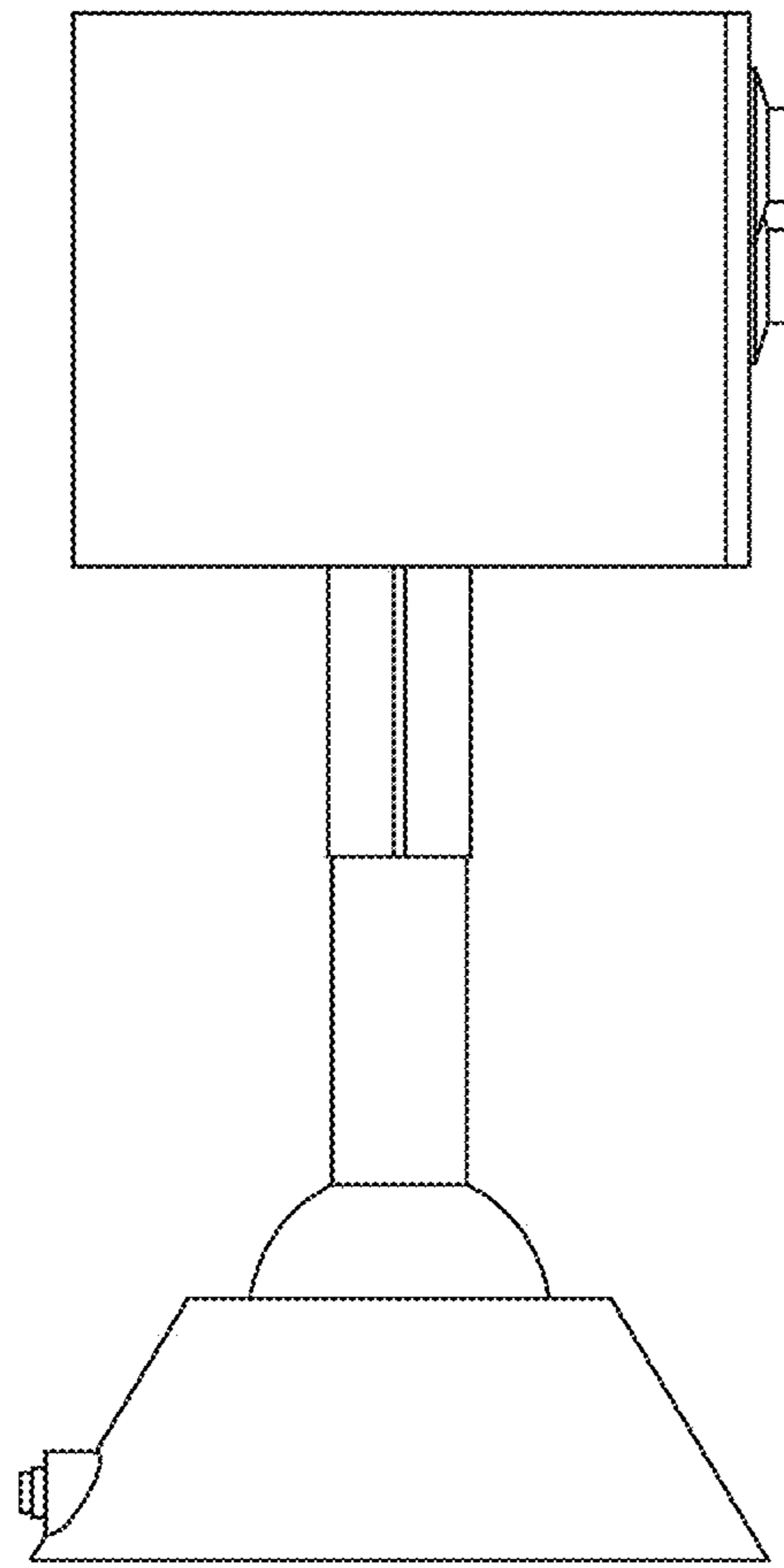


FIG. 4

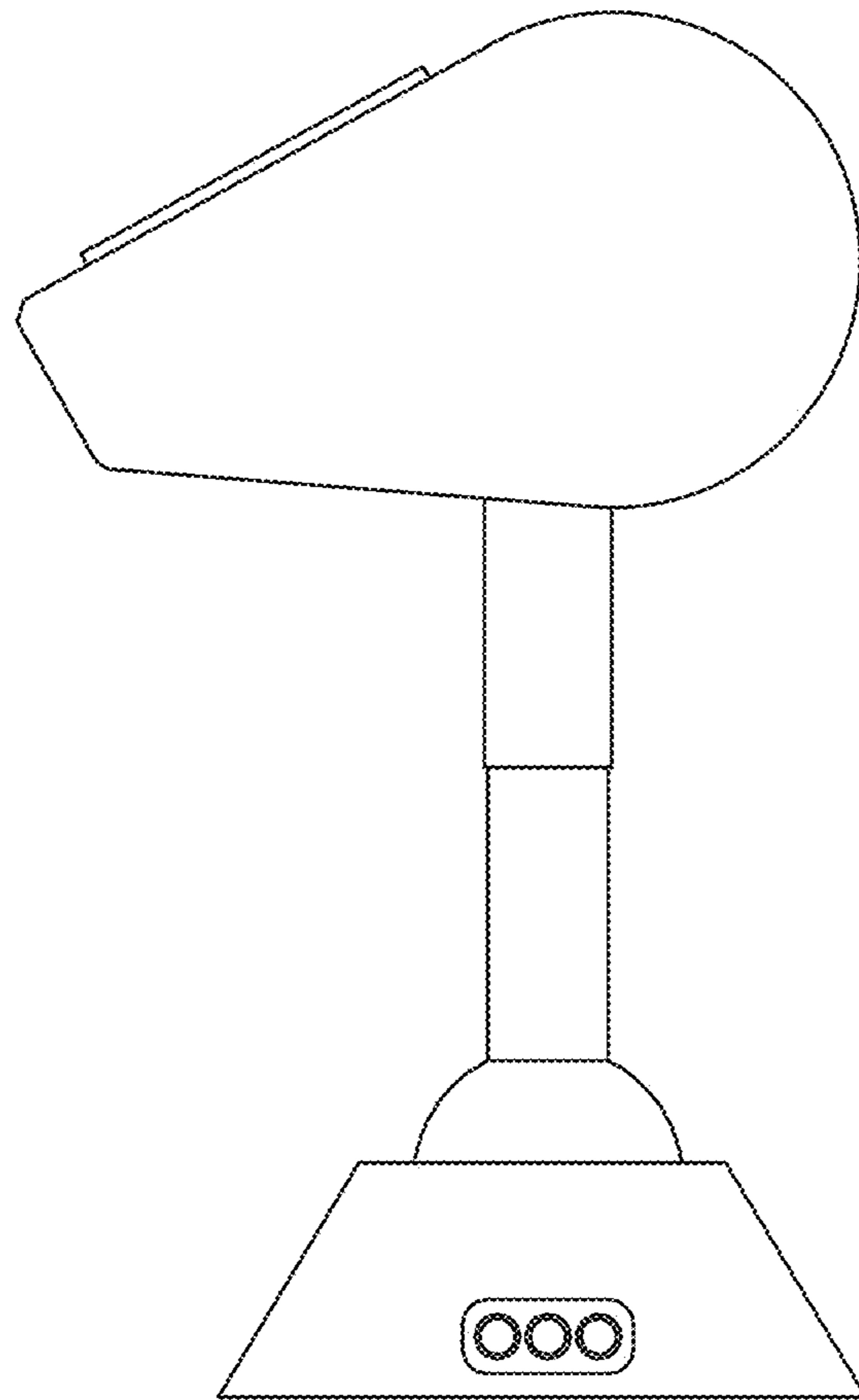


FIG. 5

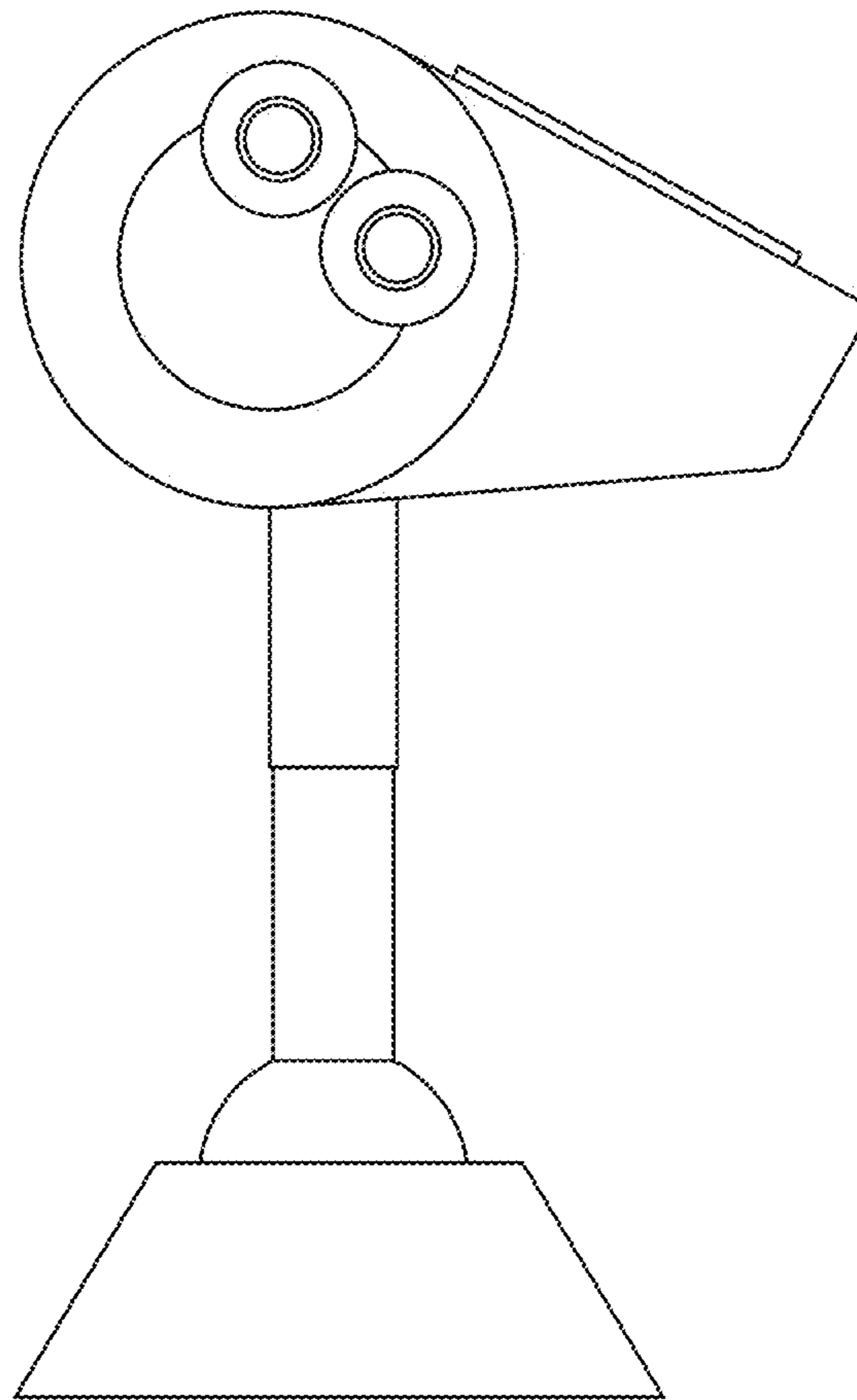


FIG. 6