

US00D971212S

(12) **United States Design Patent**
Xu

(10) **Patent No.:** **US D971,212 S**

(45) **Date of Patent:** **** Nov. 29, 2022**

(54) **PROTECTIVE COVER FOR MOBILE PHONE**

(71) Applicant: **LiXing Xu**, Guangdong (CN)

(72) Inventor: **LiXing Xu**, Guangdong (CN)

(**) Term: **15 Years**

(21) Appl. No.: **29/776,543**

(22) Filed: **Mar. 31, 2021**

(51) **LOC (13) Cl.** **14-02**

(52) **U.S. Cl.**
USPC **D14/385**

(58) **Field of Classification Search**
USPC D13/107, 108, 133, 146, 147, 152, 154,
D13/156; D14/383–386, 378, 420, 427,
D14/432–439, 447, 453; D18/4.4–4.6,
D18/12–12.1, 12.3
CPC G06K 19/07749; G06K 19/0723; G06K
19/041; G06K 10/07758; G06K 10/0775;
G06K 19/07783; G06K 19/07794; G06K
19/06046; G06K 19/07722; G06K
19/07773; G06K 19/07779; G06K
19/07784; G06K 19/07786; G06K
19/0709

See application file for complete search history.

(56) **References Cited**

U.S. PATENT DOCUMENTS

D535,992 S *	1/2007	Ozolins	D14/383
D689,058 S *	9/2013	Waterman	D14/447
D716,294 S *	10/2014	Park	D14/341
D726,182 S *	4/2015	Durham	D14/385
D751,555 S *	3/2016	Mori	D14/432
D755,794 S *	5/2016	Li	D14/439
D807,335 S *	1/2018	Kitade	D14/341
D824,913 S *	8/2018	Bidwell	D14/447
D844,696 S *	4/2019	Yeruva	D18/4.5
D852,203 S *	6/2019	Rui	D14/447
D854,022 S *	7/2019	Chen	D14/440

D861,697 S *	10/2019	Gao	D14/439
D870,731 S *	12/2019	Kuo	D14/420
D873,909 S *	1/2020	Eun	D18/4.4
D878,381 S *	3/2020	Li	D14/447

(Continued)

FOREIGN PATENT DOCUMENTS

GB	6194539	*	3/2022
IN	319502-001-0001	*	6/2020

OTHER PUBLICATIONS

Otterbox—Walmart, Earliest Review on Sep. 28, 2019 [online],
retrieved on Aug. 19, 2022, retrieved from internet, <https://www.walmart.com/ip/OtterBox-Defender-Series-Pro-Phone-Case-for-Apple-iPhone-11-Black/912144690> (Year: 2019).*

(Continued)

Primary Examiner — Messina L Smith

Assistant Examiner — Noah Perez

(74) *Attorney, Agent, or Firm* — Georgi Korobanov

(57) **CLAIM**

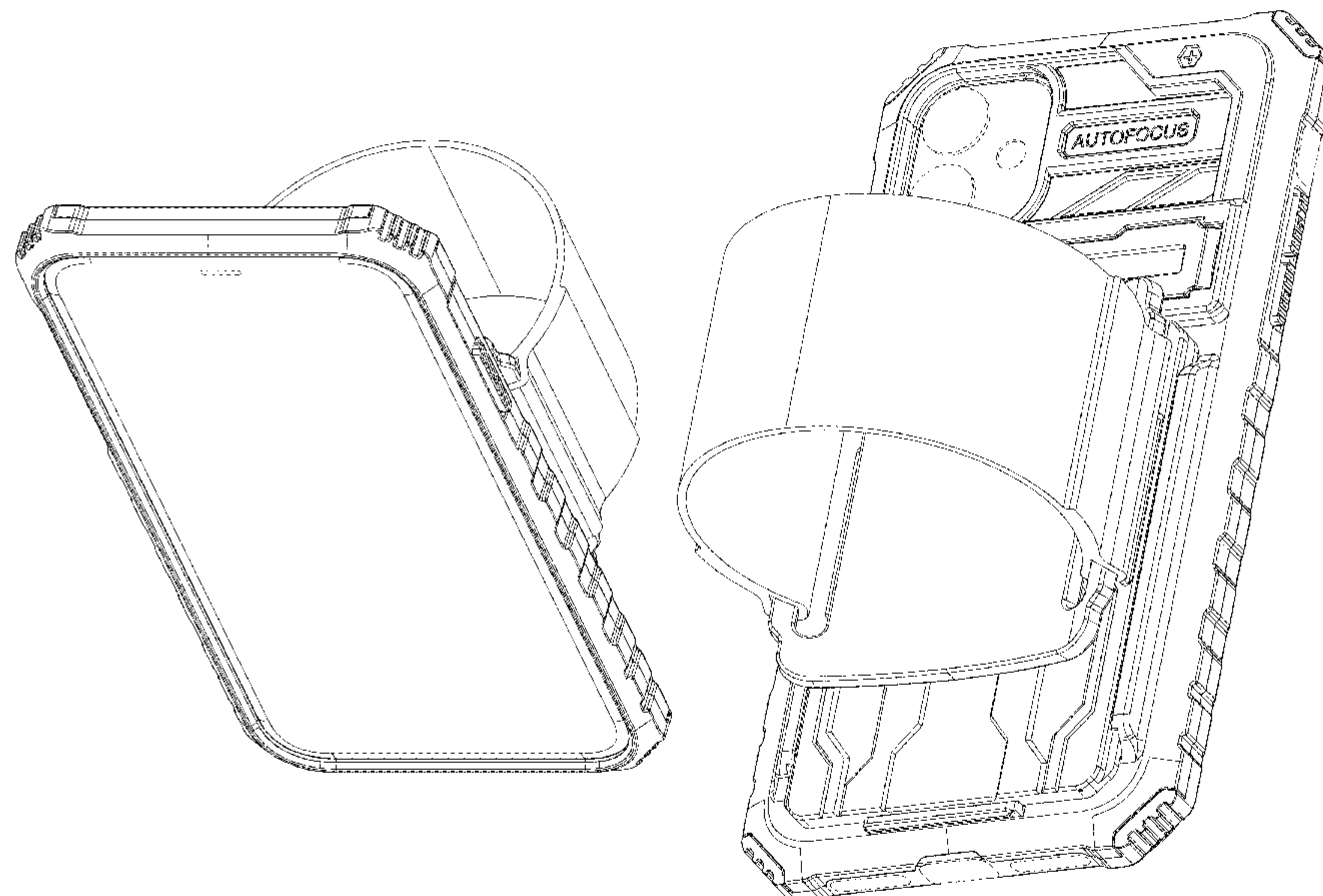
The ornamental design for a protective cover for mobile phone, as shown and described.

DESCRIPTION

FIG. 1 is a top, front, right side perspective view of a protective cover for mobile phone showing my new design; FIG. 2 is a bottom, rear, left side perspective view thereof; FIG. 3 is a front elevation view thereof; FIG. 4 is a rear elevation view thereof; FIG. 5 is a left side elevation view thereof; FIG. 6 is a right side elevation view thereof; FIG. 7 is a top plan view thereof; and, FIG. 8 is a bottom plan view thereof.

The broken lines in the drawings illustrate portions of the protective cover for mobile phone that form no part of the claimed design.

1 Claim, 8 Drawing Sheets



(56)

References Cited

U.S. PATENT DOCUMENTS

D917,496 S * 4/2021 Chen D14/440
D938,957 S * 12/2021 Lu D14/439
D940,135 S * 1/2022 Lee D14/385
D941,911 S * 1/2022 Luo D18/4.6
D942,978 S * 2/2022 Cruz D14/385

OTHER PUBLICATIONS

iPhone 11 Pro Otterbox Review, Announced on Oct. 24, 2019
[online], retrieved on Aug. 19, 2022, retrieved from internet, <https://www.youtube.com/watch?v=QQNRUYRR7aY> (Year: 2019).*

Otterbox—Staples, No Announcement Date [online], retrieved on
Aug. 19, 2022, retrieved from internet, https://www.staples.com/otterbox-77-58296-utility-series-latch-ii-strap-for-8-samsung-galaxy-tab-a-black/product_IM13BQ136.*

* cited by examiner

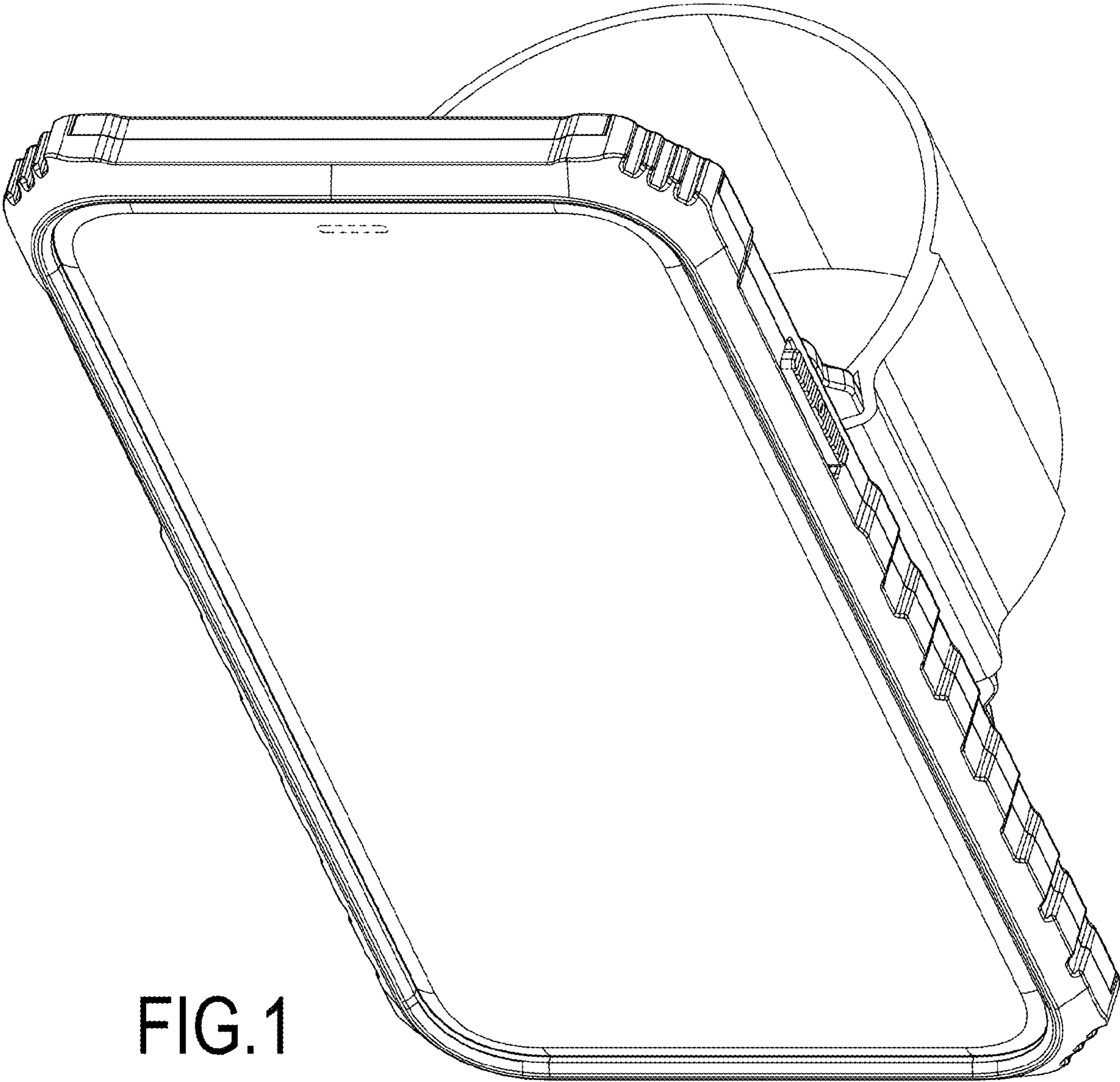


FIG.1

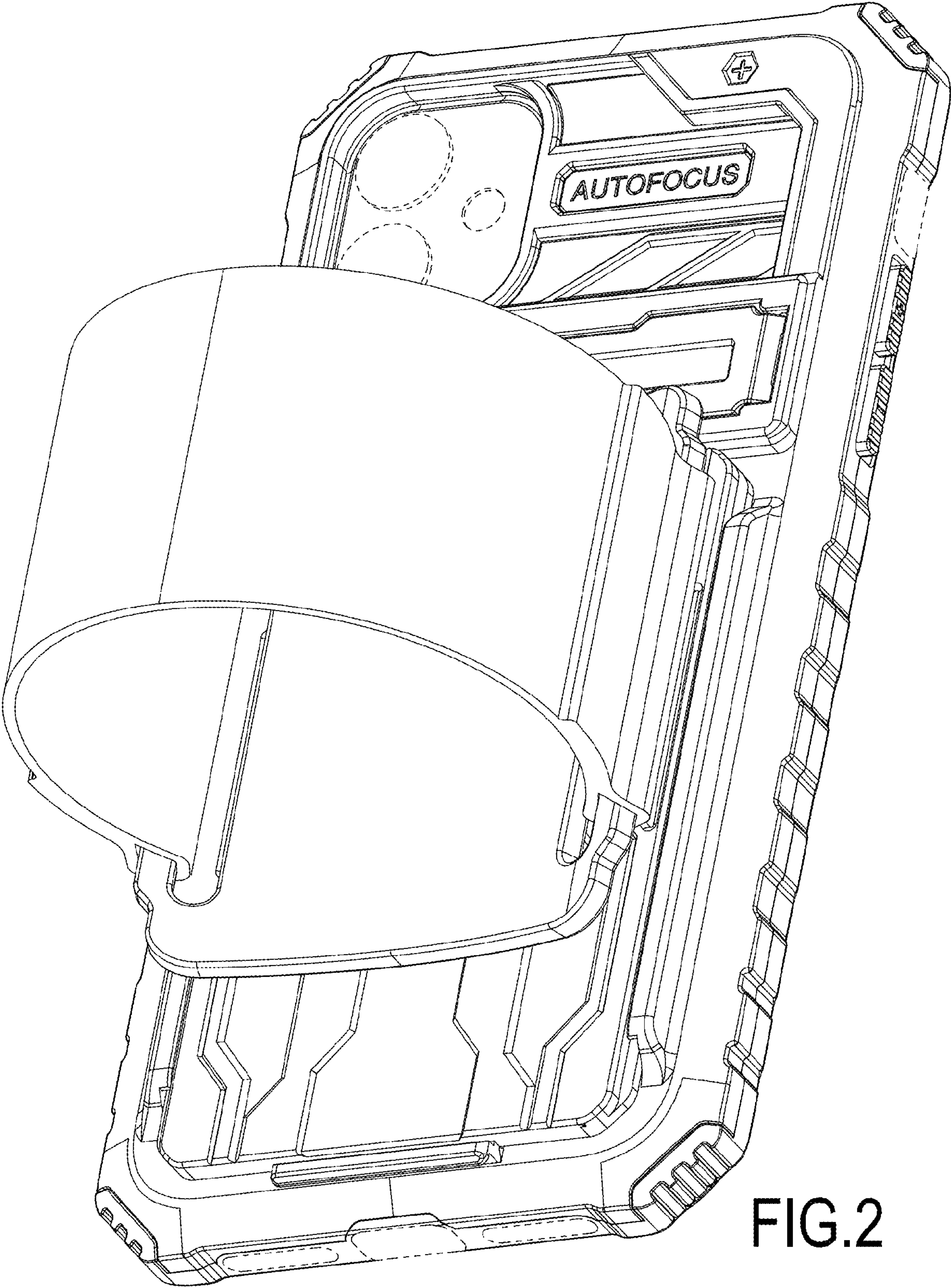


FIG.2

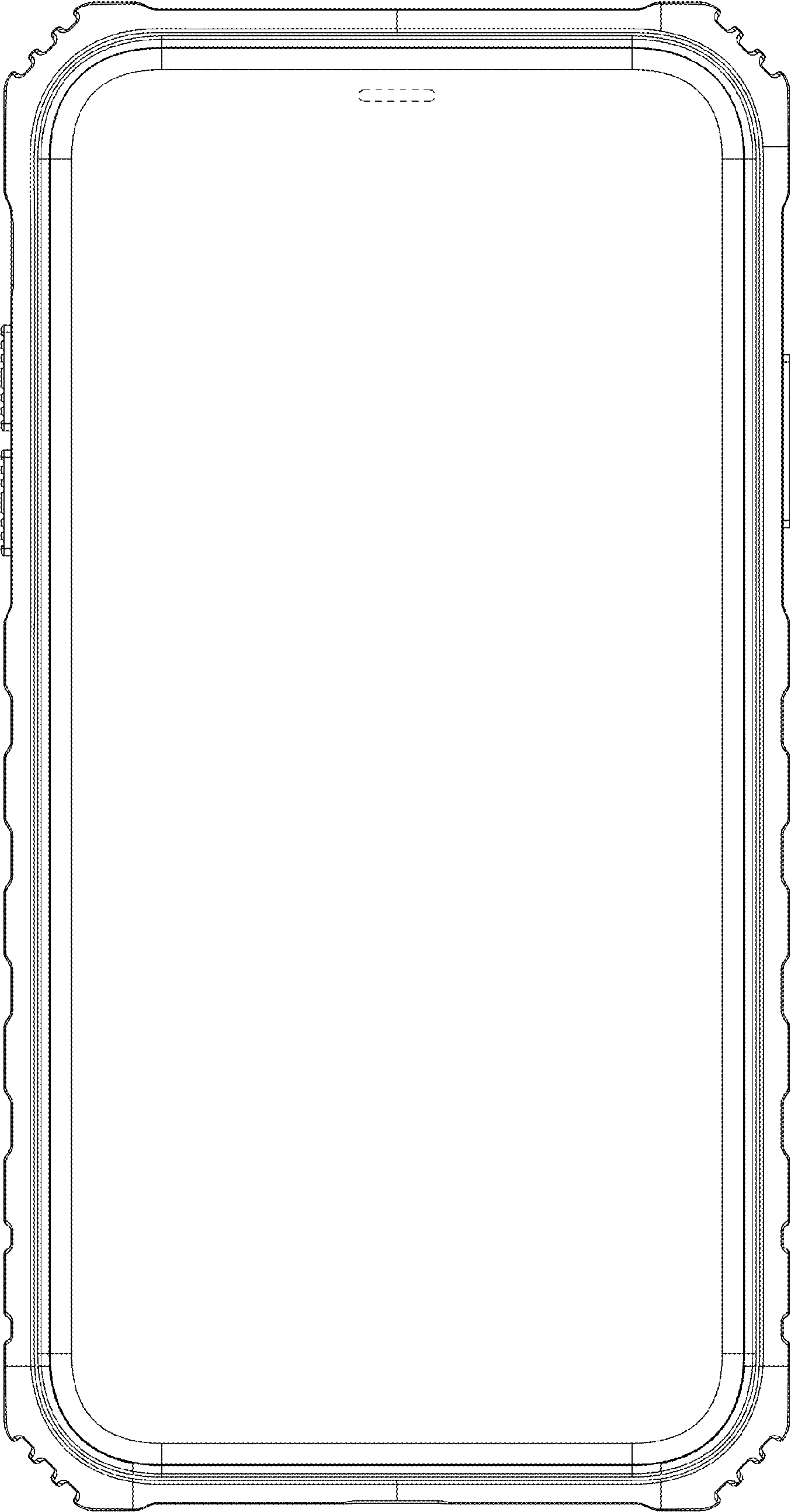


FIG.3

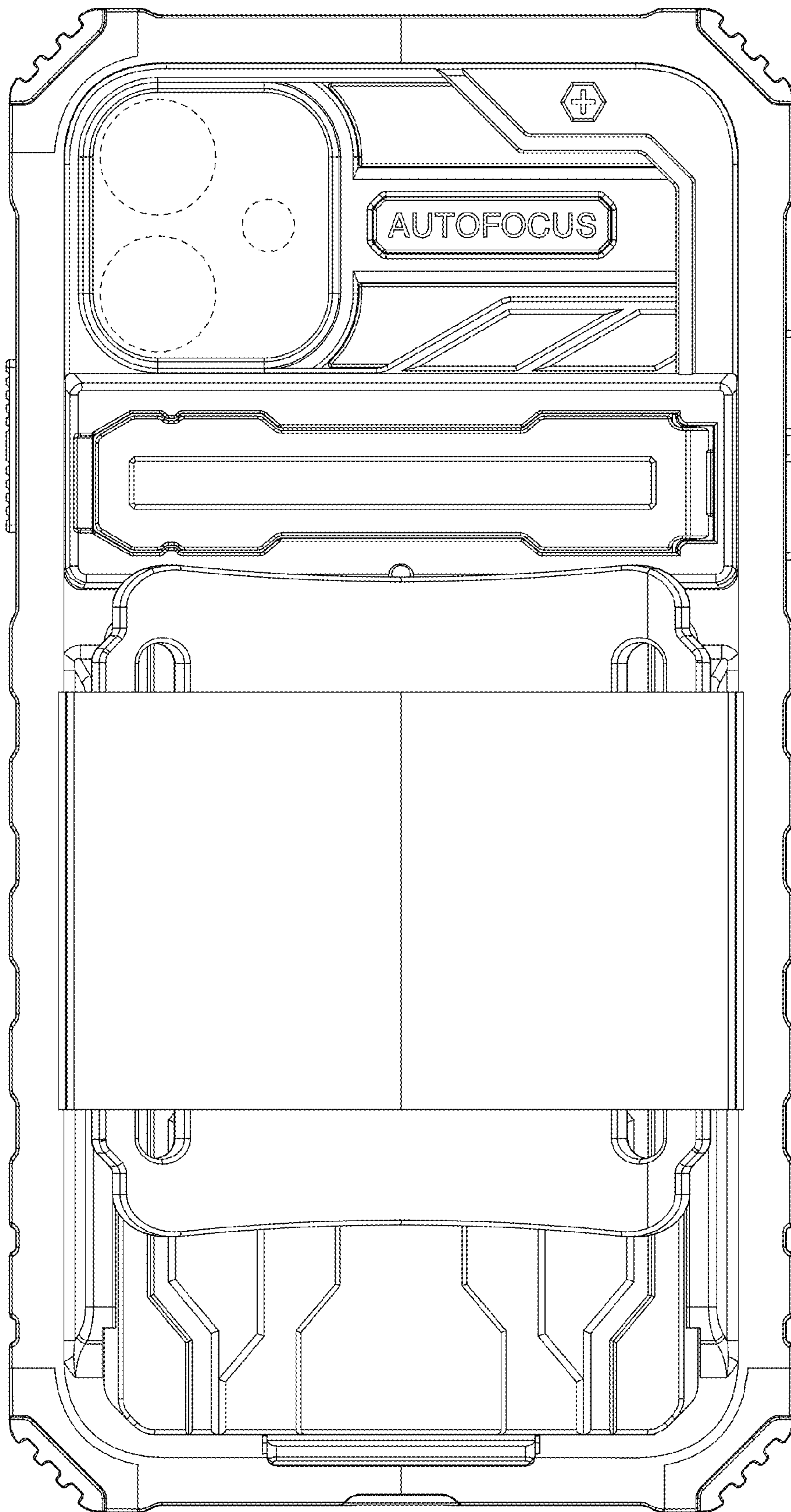


FIG.4

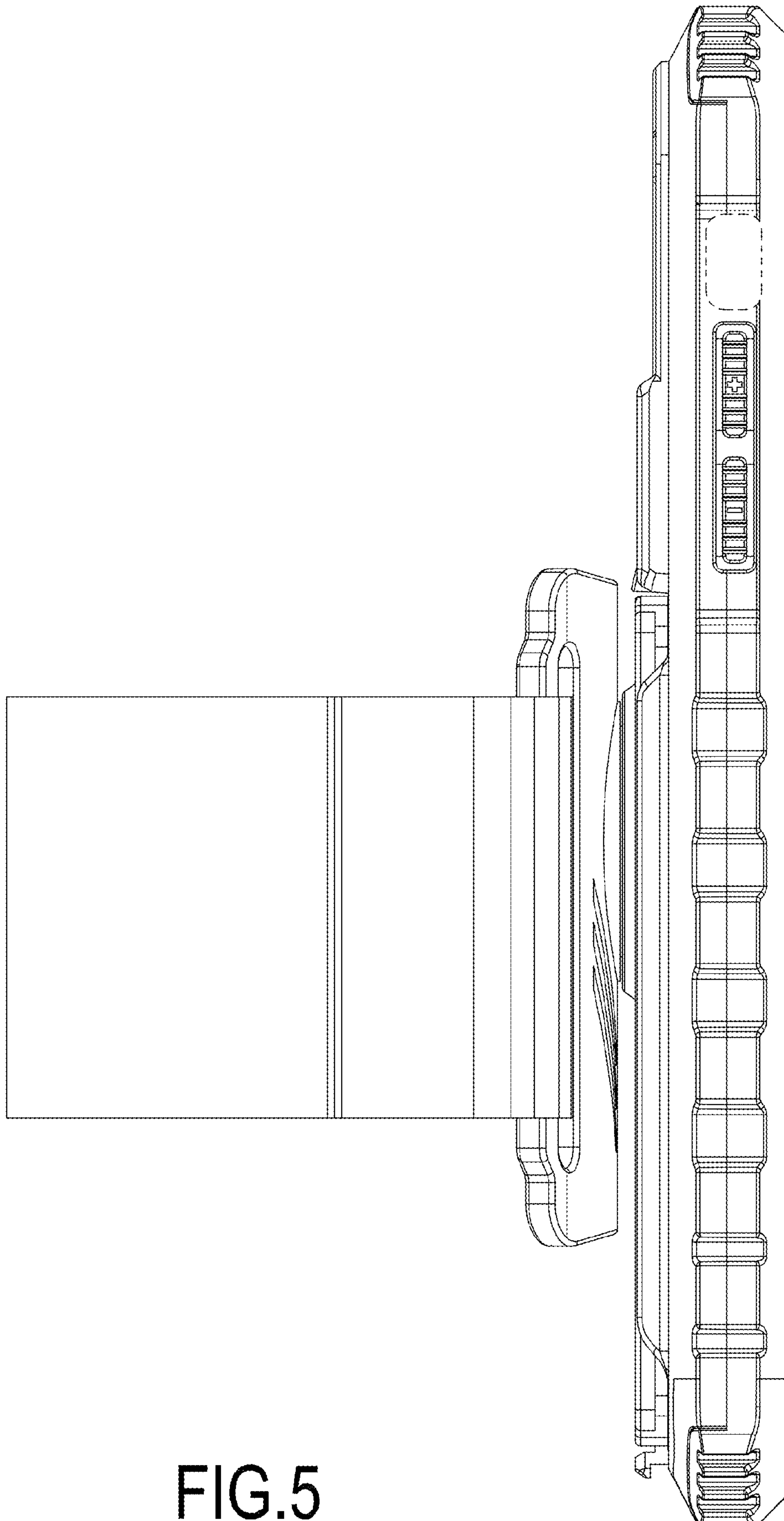


FIG.5

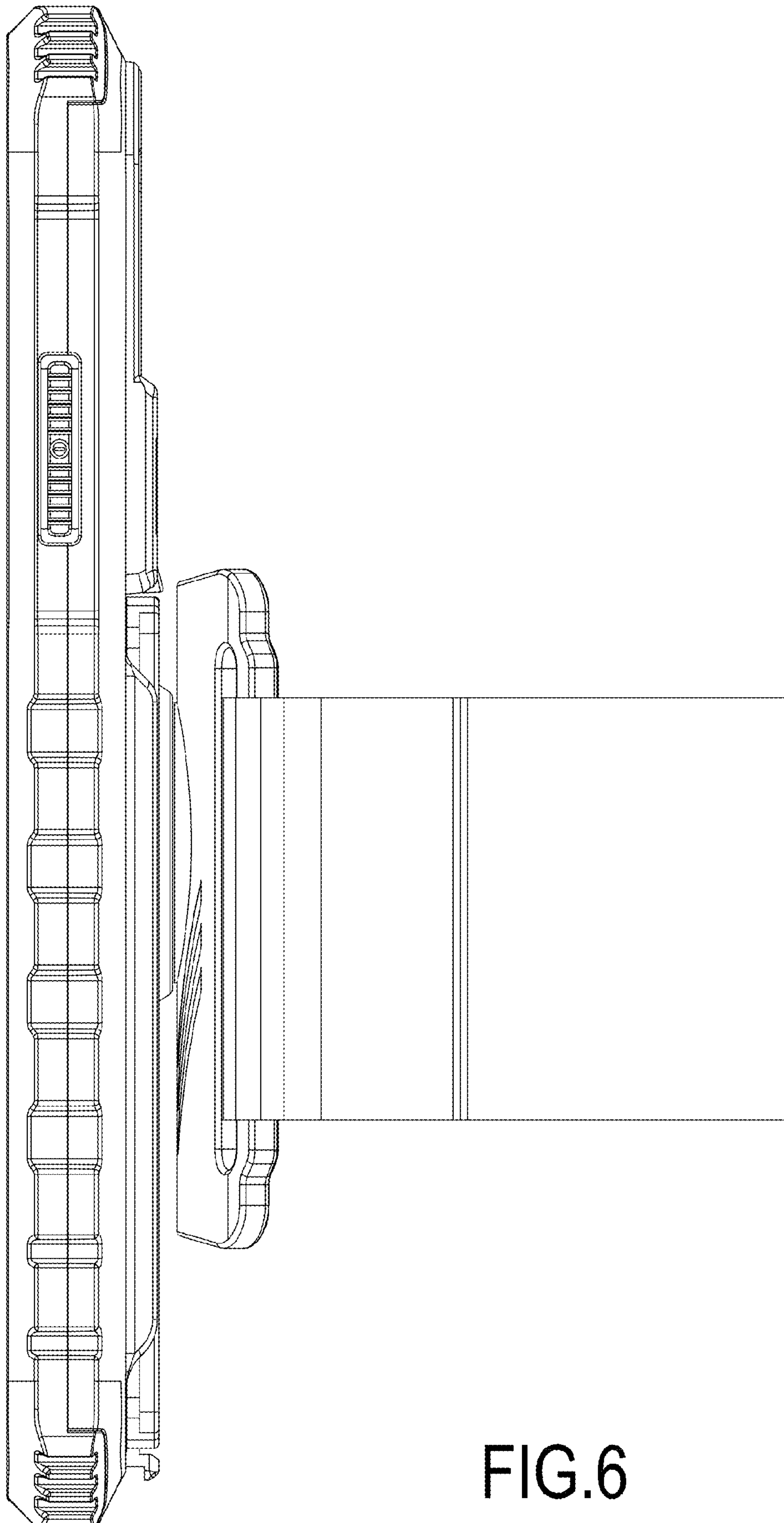


FIG.6

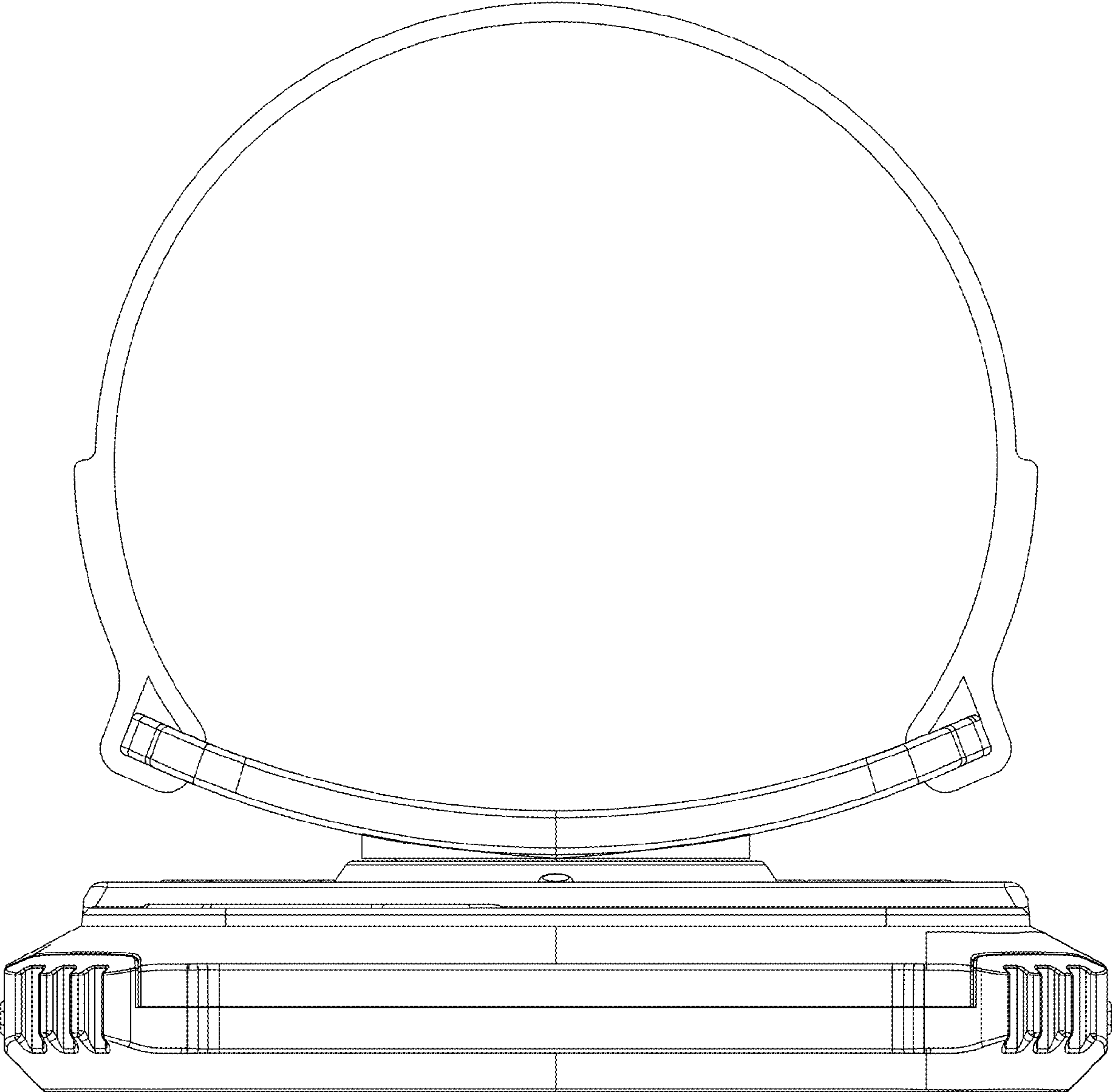


FIG.7

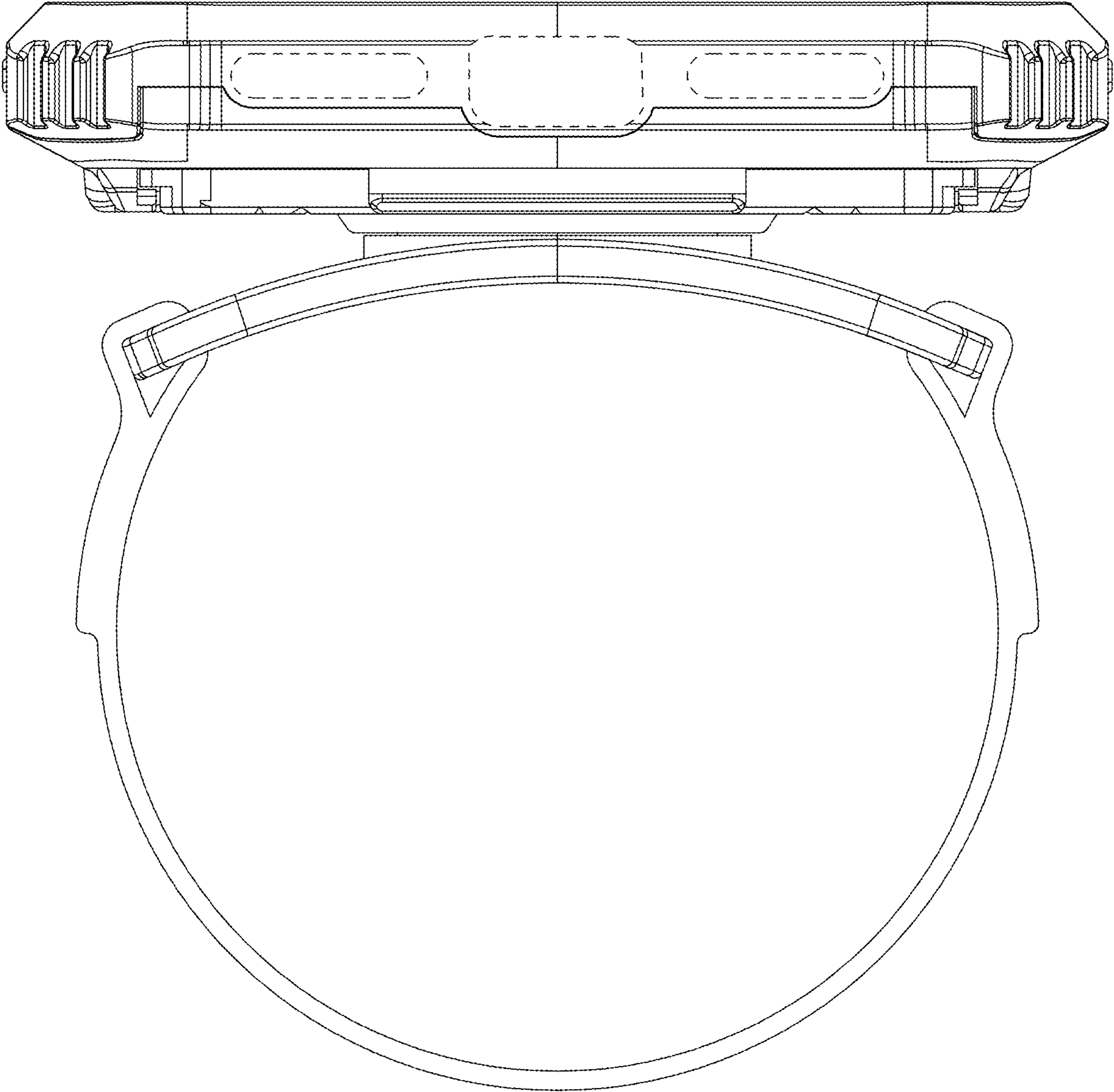


FIG.8